



US00D570295S

(12) **United States Design Patent**
Hargreaves et al.

(10) **Patent No.:** **US D570,295 S**
(45) **Date of Patent:** **** Jun. 3, 2008**

(54) **3-CONDUCTOR STRAIN RELIEF**

D379,177 S * 5/1997 Chu D13/156
D530,286 S * 10/2006 Phung et al. D13/156

(76) Inventors: **Craig Hargreaves**, 5408 NE. 88th St.,
#A-101, Vancouver, WA (US) 98665;
Sergio Corona, 10609 Business Dr.,
Fontana, CA (US) 92337

* cited by examiner

Primary Examiner—Brian N Vinson

(**) Term: **14 Years**

(57) **CLAIM**

(21) Appl. No.: **29/289,837**

The ornamental design for a 3-conductor strain relief, as shown and described.

(22) Filed: **Aug. 6, 2007**

DESCRIPTION

(51) **LOC (8) Cl.** **13-03**

FIG. 1 is a perspective view of the 3-conductor strain relief, showing our new design;

(52) **U.S. Cl.** **D13/156**

FIG. 2 is a front elevational view thereof;

(58) **Field of Classification Search** D13/133,

FIG. 3 is a rear elevational view thereof;

D13/152, 154, 156, 184; 439/447, 578, 668–669,
439/675, 750–751, 851–852, 889

FIG. 4 is a top plan view thereof;

See application file for complete search history.

FIG. 5 is a bottom view thereof;

(56) **References Cited**

FIG. 6 is a left side view thereof; and,

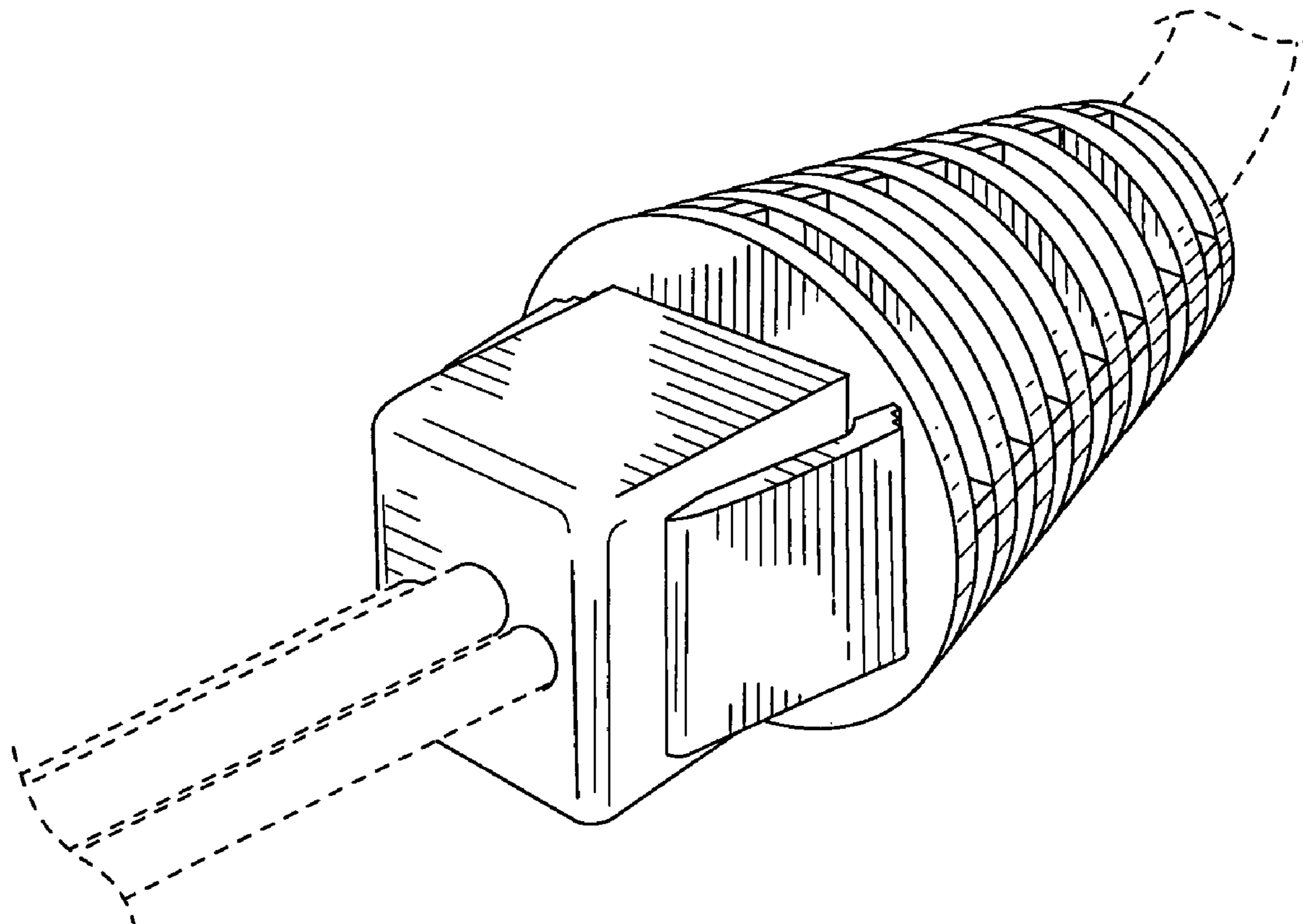
U.S. PATENT DOCUMENTS

FIG. 7 is a right side view thereof.

4,203,004 A * 5/1980 Cox 439/452
D358,802 S * 5/1995 Kunz D13/154
5,451,171 A * 9/1995 Dickie 439/447
5,462,457 A * 10/1995 Schroepfer et al. 439/447
5,620,335 A * 4/1997 Siemon 439/447

The broken-line disclosure in the views is for illustrative purposes only and forms no part of the claimed design.

1 Claim, 7 Drawing Sheets



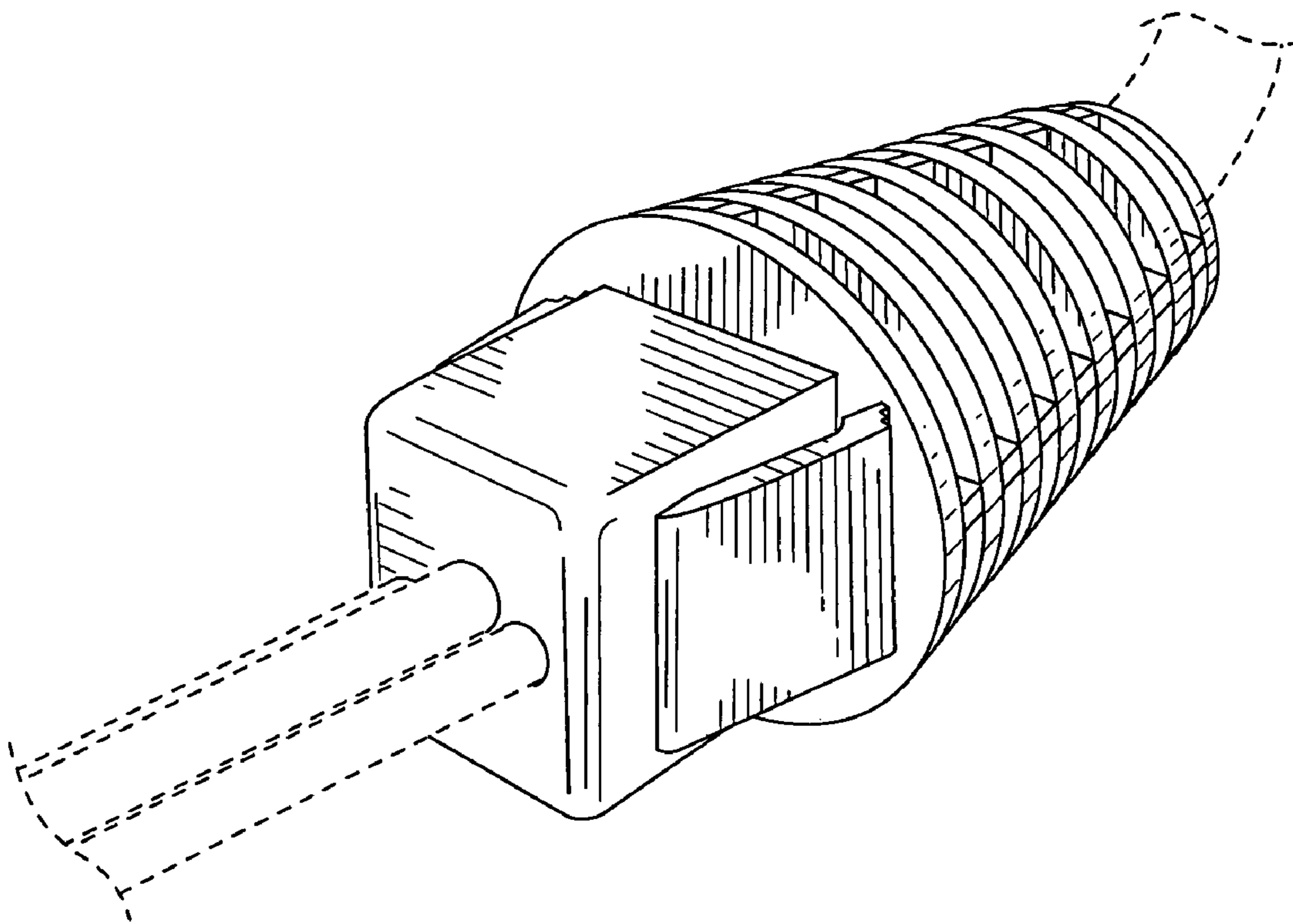


FIG. 1

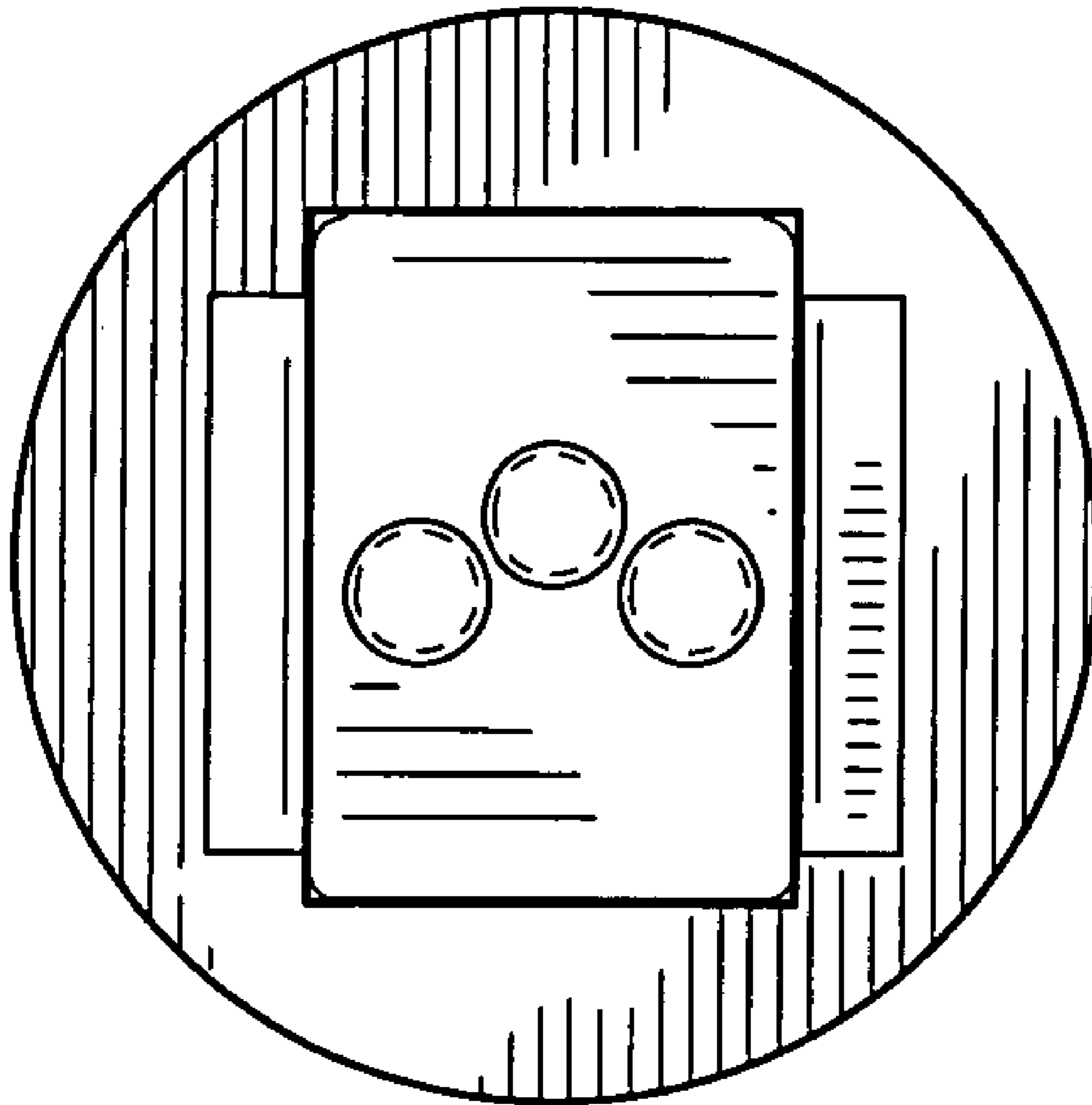


FIG. 2

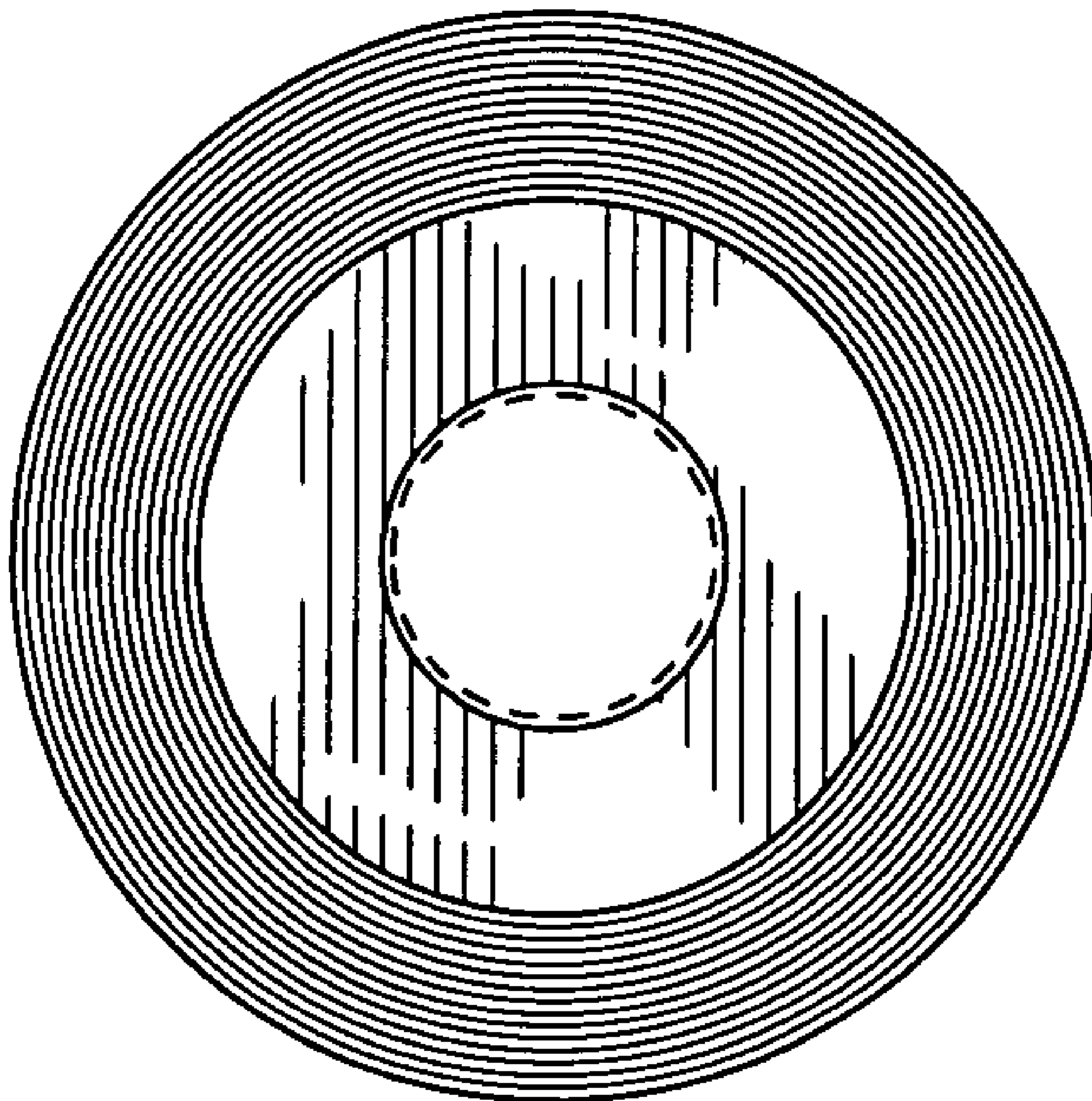


FIG. 3

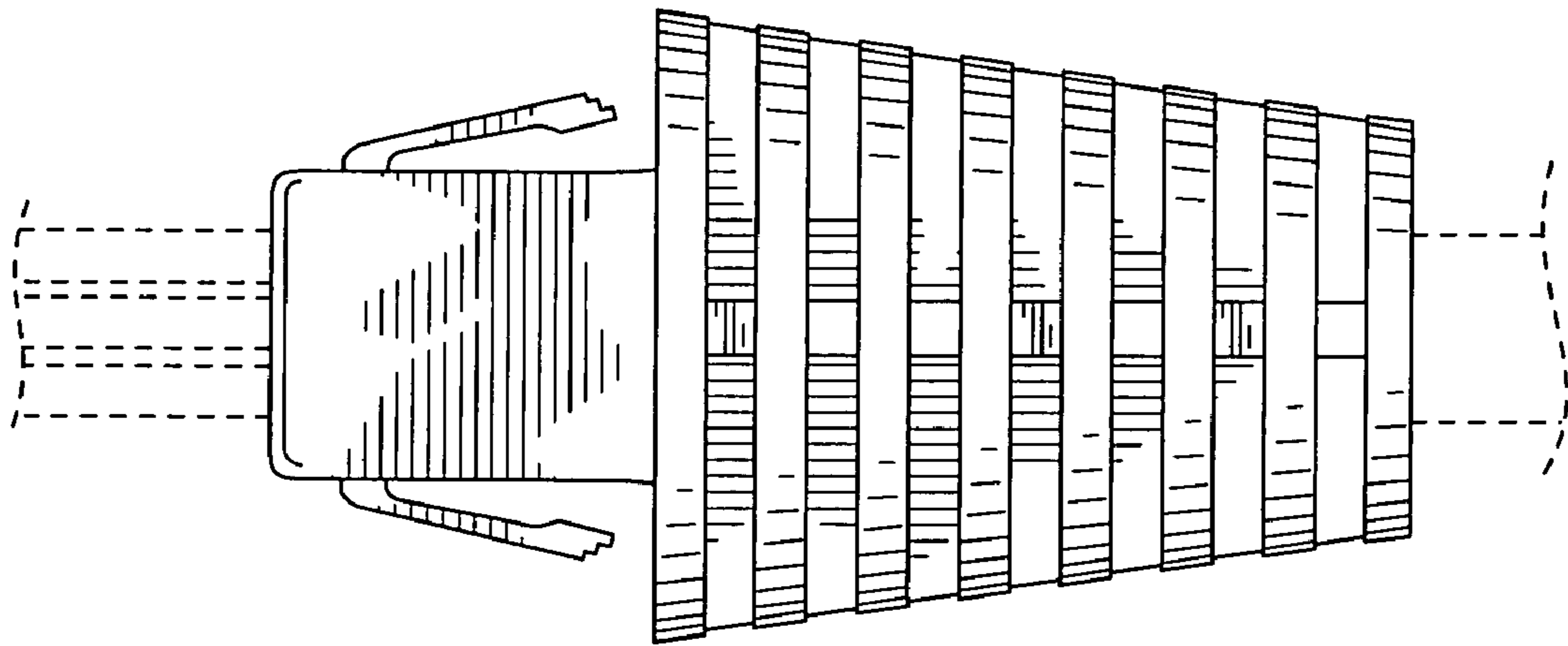


FIG. 4

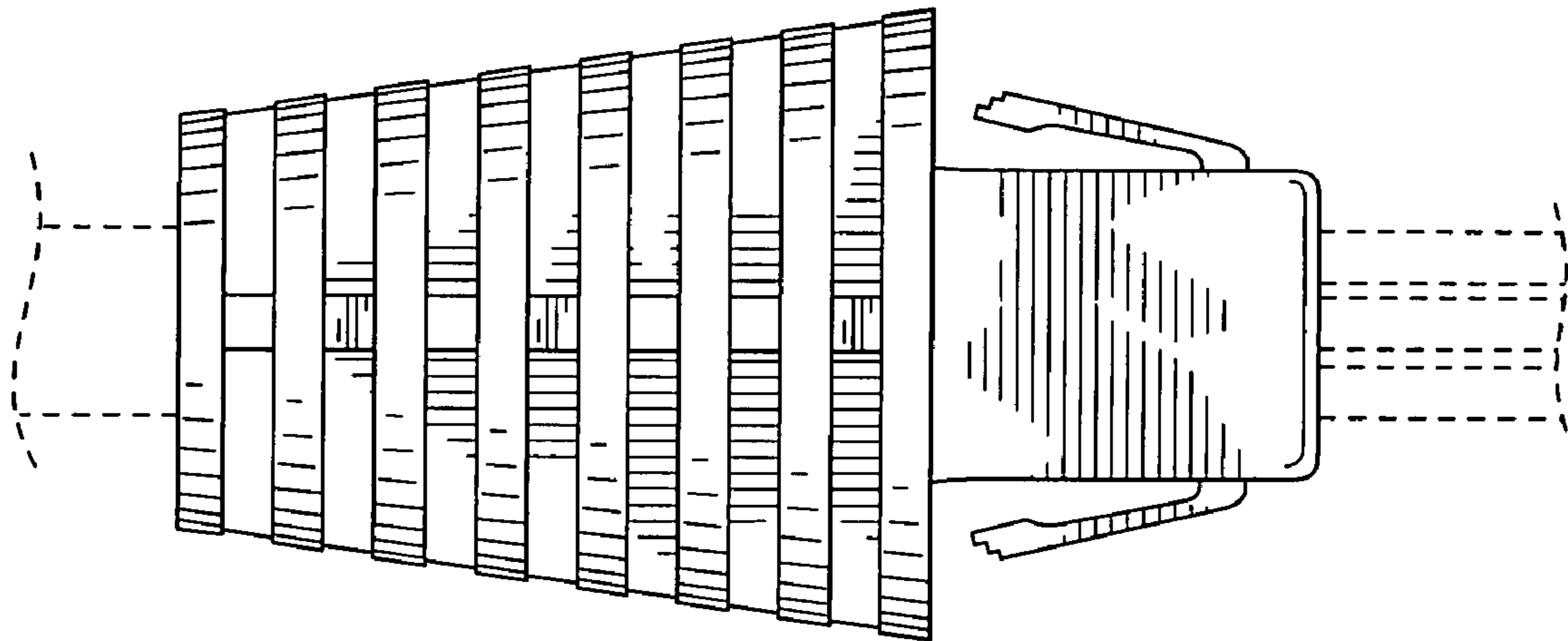


FIG. 5

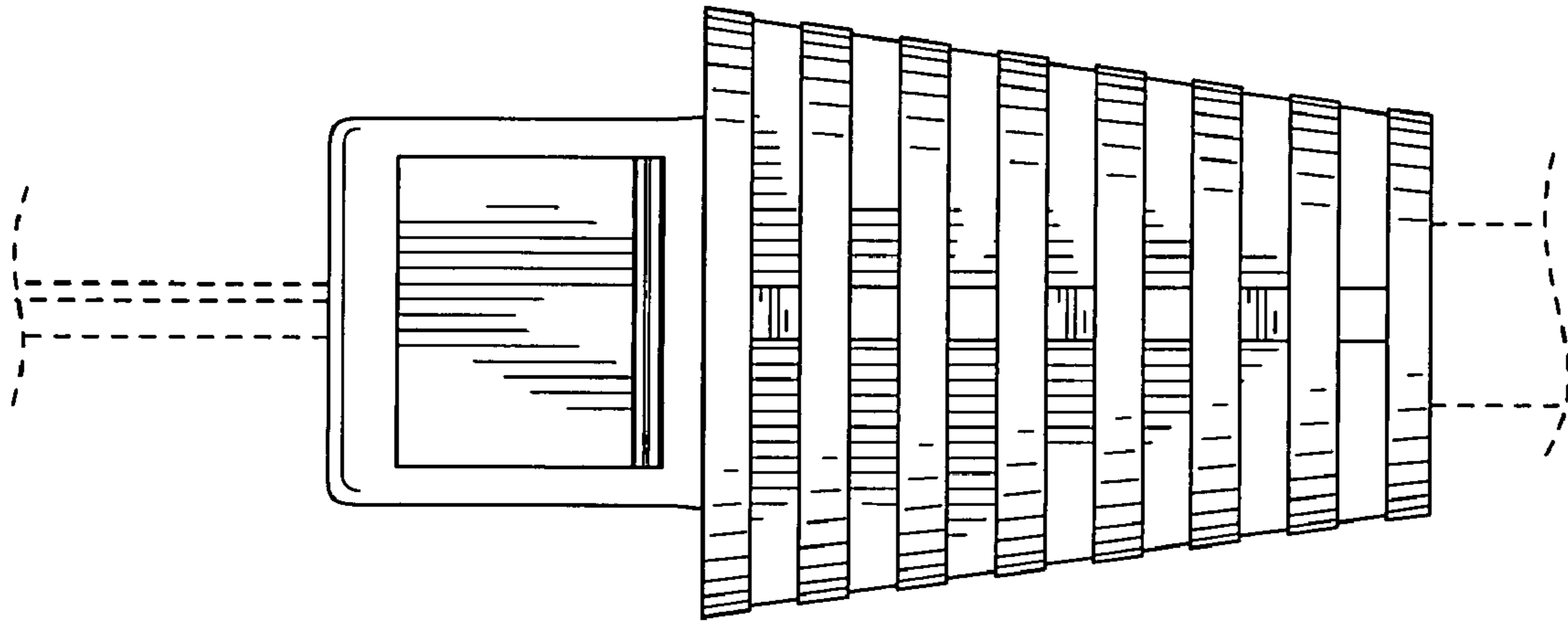


FIG. 6

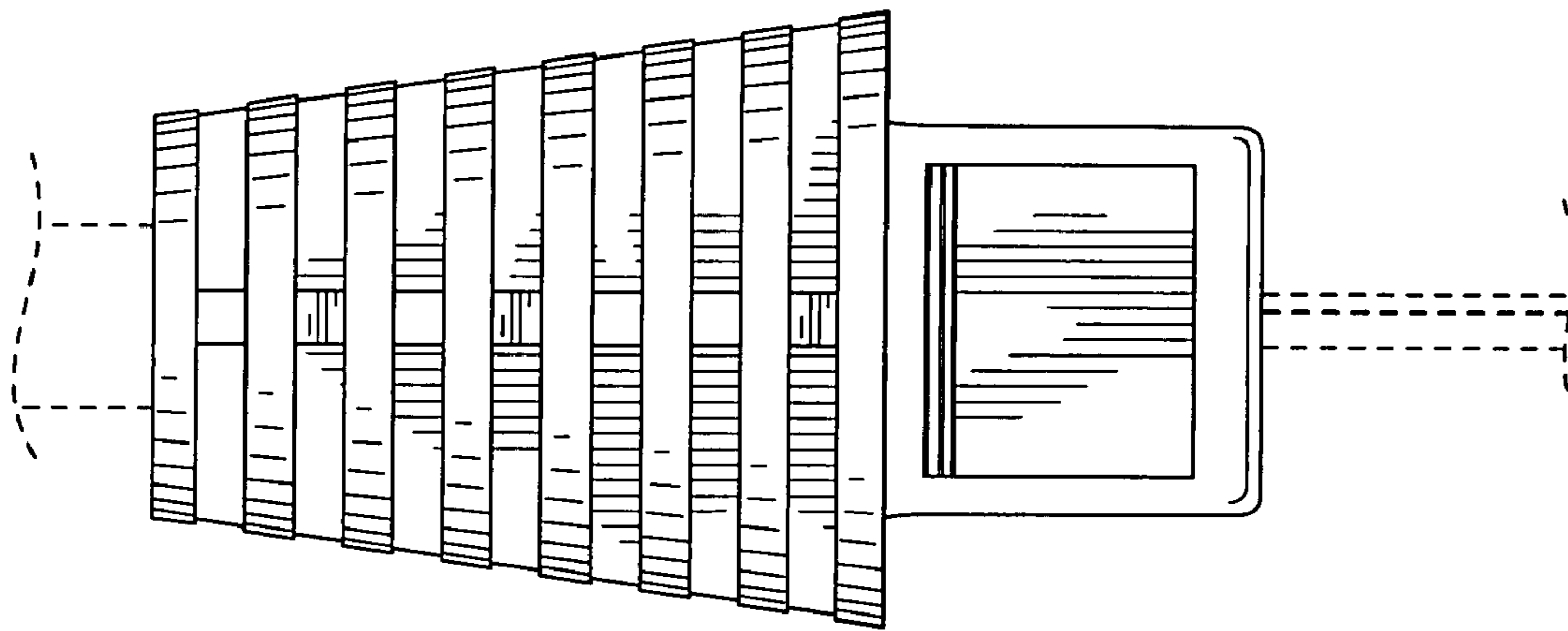


FIG. 7