

US00D570293S

(12) **United States Design Patent**
Cunius

(10) **Patent No.:** **US D570,293 S**
(45) **Date of Patent:** **** Jun. 3, 2008**

(54) **TWO CONDUCTOR ELECTRICAL CABLE**

D436,927 S * 1/2001 Hogan D13/153
D454,116 S * 3/2002 Barlow et al. D13/153

(75) Inventor: **Jeff R. Cunius**, Ontario, CA (US)

* cited by examiner

(73) Assignee: **Troy-CSL Lighting, Inc.**, City of Industry, CA (US)

Primary Examiner—Brian N Vinson
(74) *Attorney, Agent, or Firm*—Law Offices of Natan Epstein

(**) Term: **14 Years**

(21) Appl. No.: **29/234,805**

(57) **CLAIM**

(22) Filed: **Jul. 23, 2005**

The ornamental design for a two conductor electrical cable, as shown and described.

(51) **LOC (8) Cl.** **13-03**

(52) **U.S. Cl.** **D13/153**

(58) **Field of Classification Search** D13/153;
174/88 R, 95, 117 F, 117 R, 117, 504 A
See application file for complete search history.

DESCRIPTION

FIG. 1 is a top, side, left end view showing my new ornamental design for two conductor electrical cable;

FIG. 2 is a side view thereof;

FIG. 3 is an end view thereof; and,

FIG. 4 is a top view thereof, the bottom view being identical therewith.

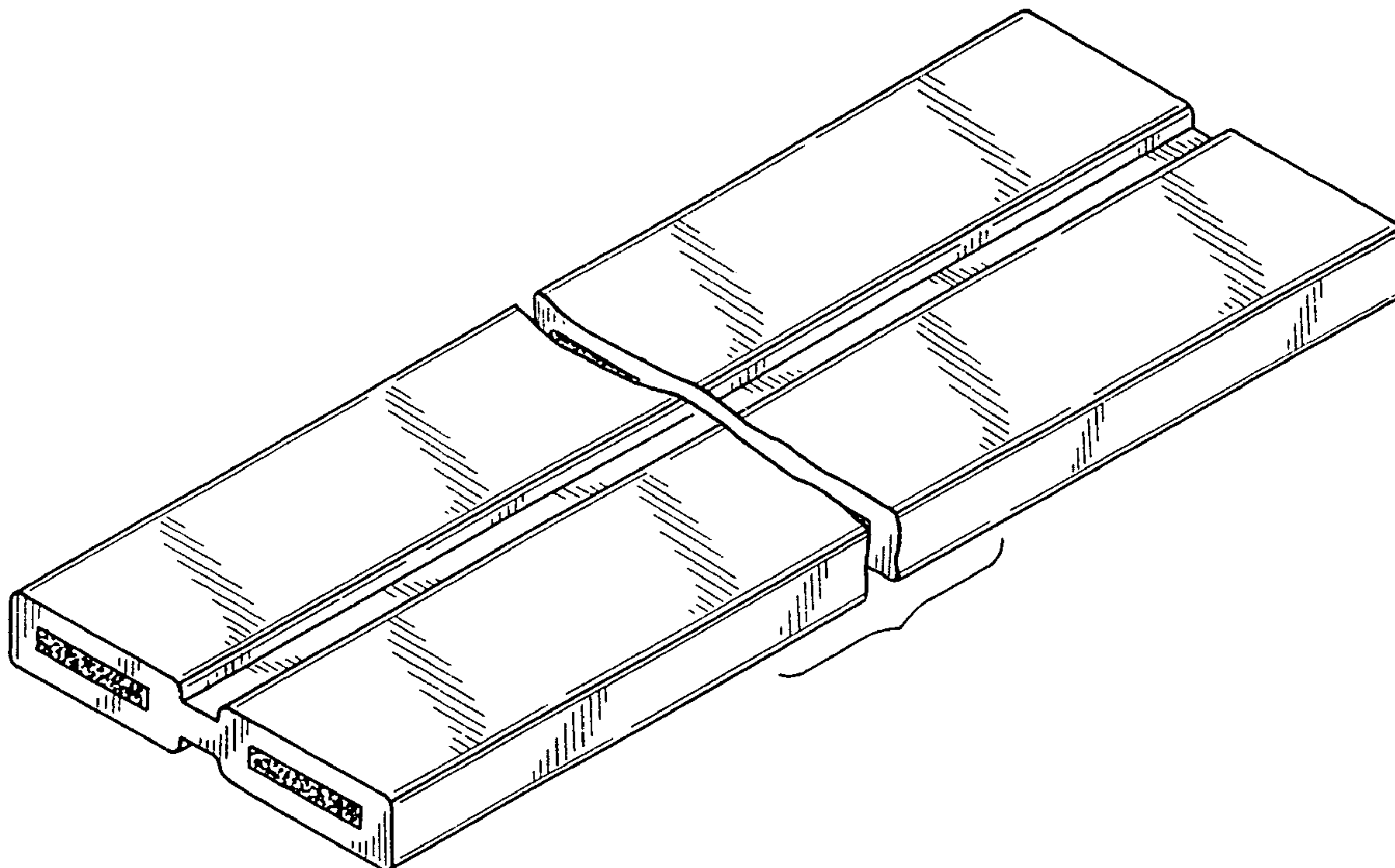
(56) **References Cited**

U.S. PATENT DOCUMENTS

2,079,274 A * 5/1937 Baker 174/95
4,438,294 A * 3/1984 Meltsch et al. 174/88 R
D352,274 S * 11/1994 Daleo D13/153
5,367,122 A * 11/1994 de Olano 174/504

The cable is shown broken-away in the views to indicate indeterminate length.

1 Claim, 1 Drawing Sheet



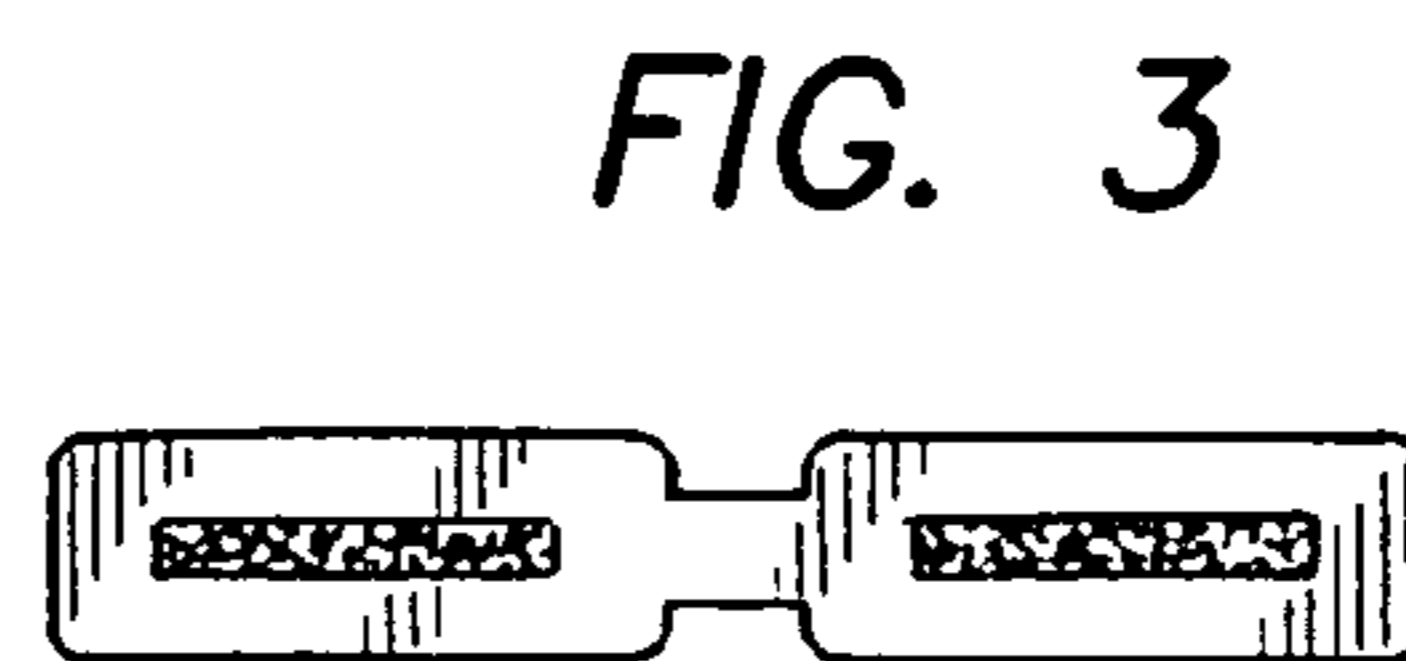
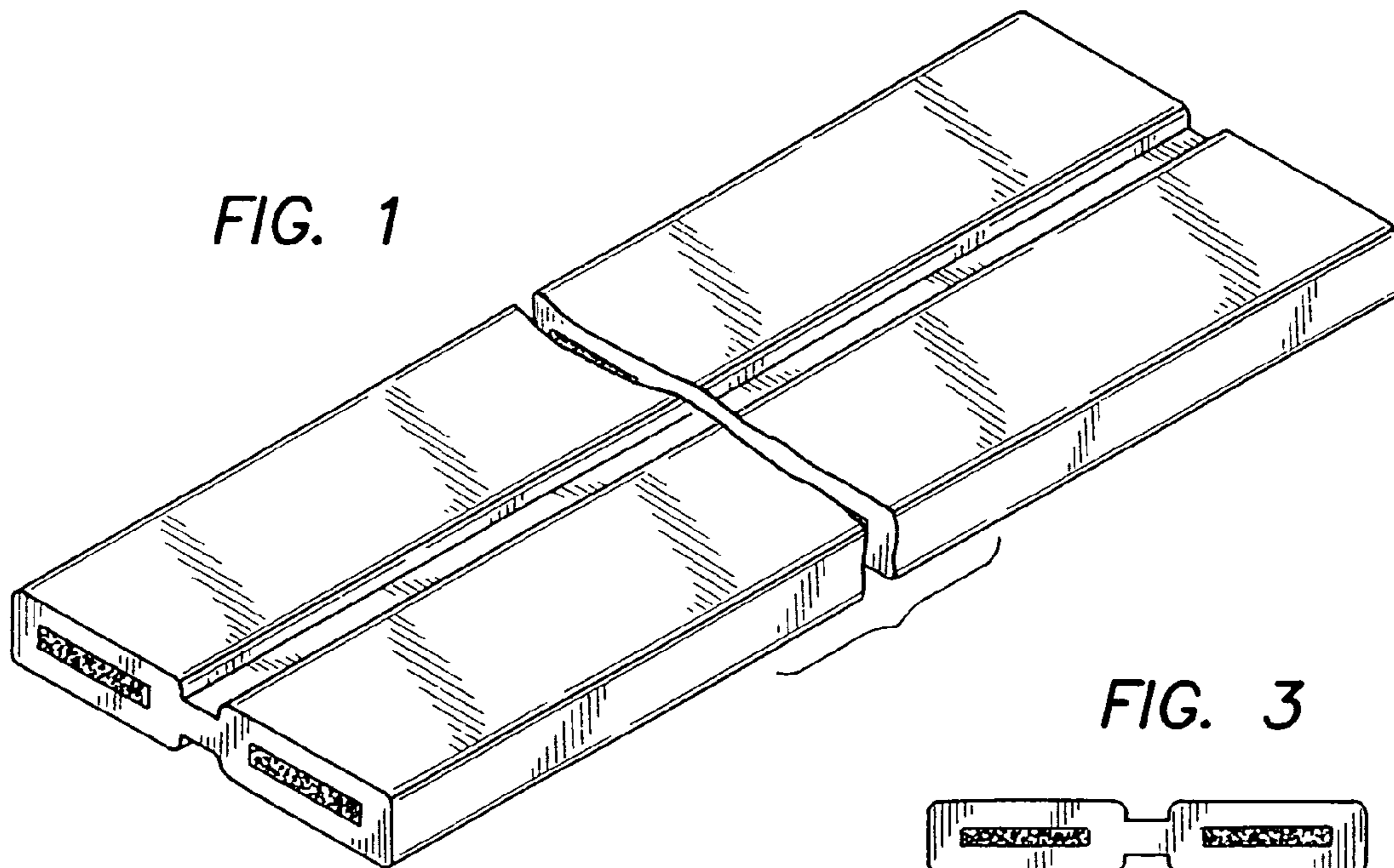


FIG. 2

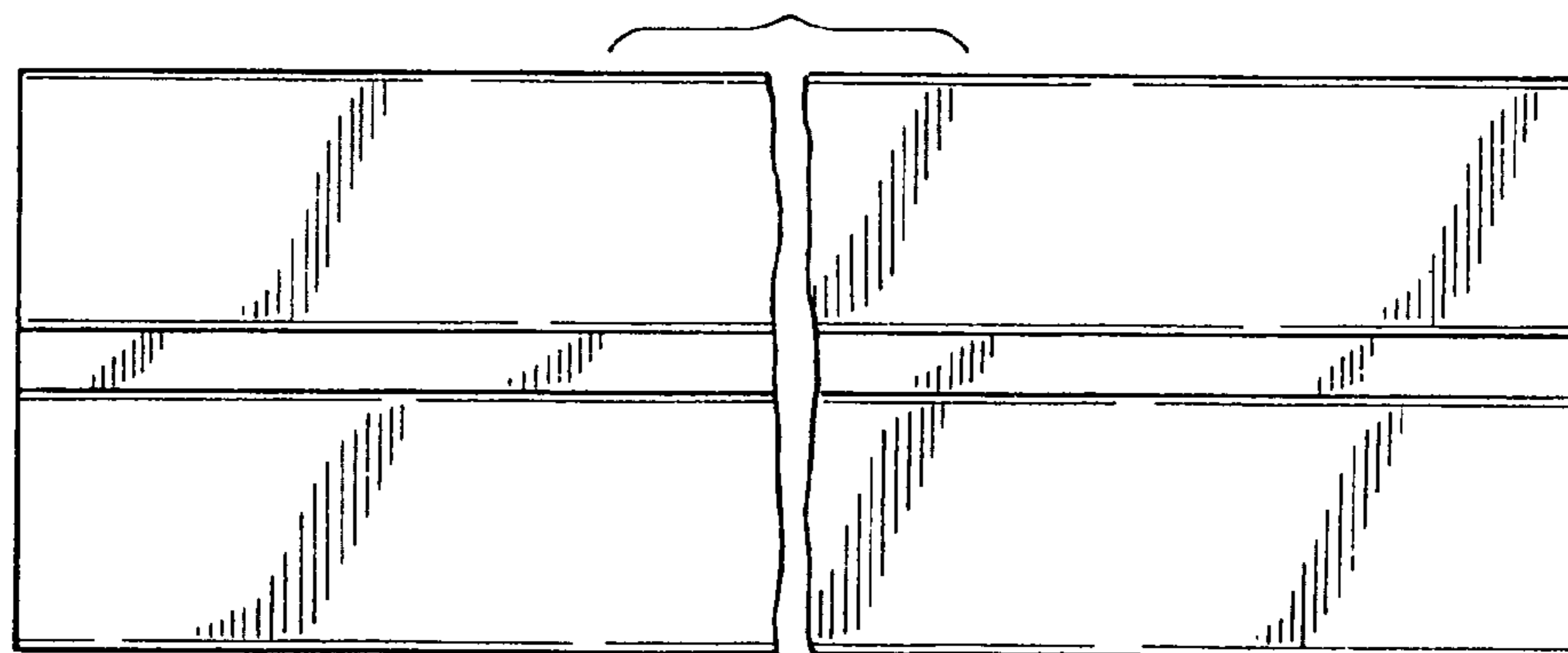


FIG. 4