

US00D570291S

(12) **United States Design Patent**
Zhang

(10) **Patent No.:** **US D570,291 S**
(45) **Date of Patent:** **** Jun. 3, 2008**

(54) **SIM CARD CONNECTOR**

(75) Inventor: **Hong Tu Zhang**, Tu-Cheng (TW)

(73) Assignee: **Cheng Uei Precision Industry Co., Ltd.**, Taipei Hsien (TW)

(**) Term: **14 Years**

(21) Appl. No.: **29/287,796**

(22) Filed: **Sep. 21, 2007**

(51) **LOC (8) Cl.** **13-03**

(52) **U.S. Cl.** **D13/147; D13/133**

(58) **Field of Classification Search** D13/133,
D13/146-147, 154, 184, 199; D14/432,
D14/433, 435, 436, 438; 439/64, 79, 159-160,
439/607-610, 629-631, 636, 660; 361/684-685
See application file for complete search history.

(56) **References Cited**

U.S. PATENT DOCUMENTS

D470,148 S *	2/2003	Nishio et al.	D14/433
6,609,936 B2 *	8/2003	Bricaud et al.	439/630
D488,444 S *	4/2004	Motojima	D13/147
6,905,369 B2 *	6/2005	Nakai et al.	439/630
D523,860 S *	6/2006	Xu et al.	D14/436
D528,986 S *	9/2006	Su	D13/147

D535,258 S *	1/2007	Sasaki	D13/147
D544,842 S *	6/2007	Nishio et al.	D13/147
D547,727 S *	7/2007	Sasaki	D13/147
D559,255 S *	1/2008	Nishio et al.	D14/433

* cited by examiner

Primary Examiner—Daniel D Bui

(74) *Attorney, Agent, or Firm*—Rosenberg, Klein & Lee

(57) **CLAIM**

The ornamental design for a SIM card connector, as shown and described.

DESCRIPTION

FIG. 1 is a perspective view of a SIM card connector showing my new design;

FIG. 2 is a front elevational view thereof;

FIG. 3 is a rear elevational view thereof;

FIG. 4 is a left side elevational view thereof;

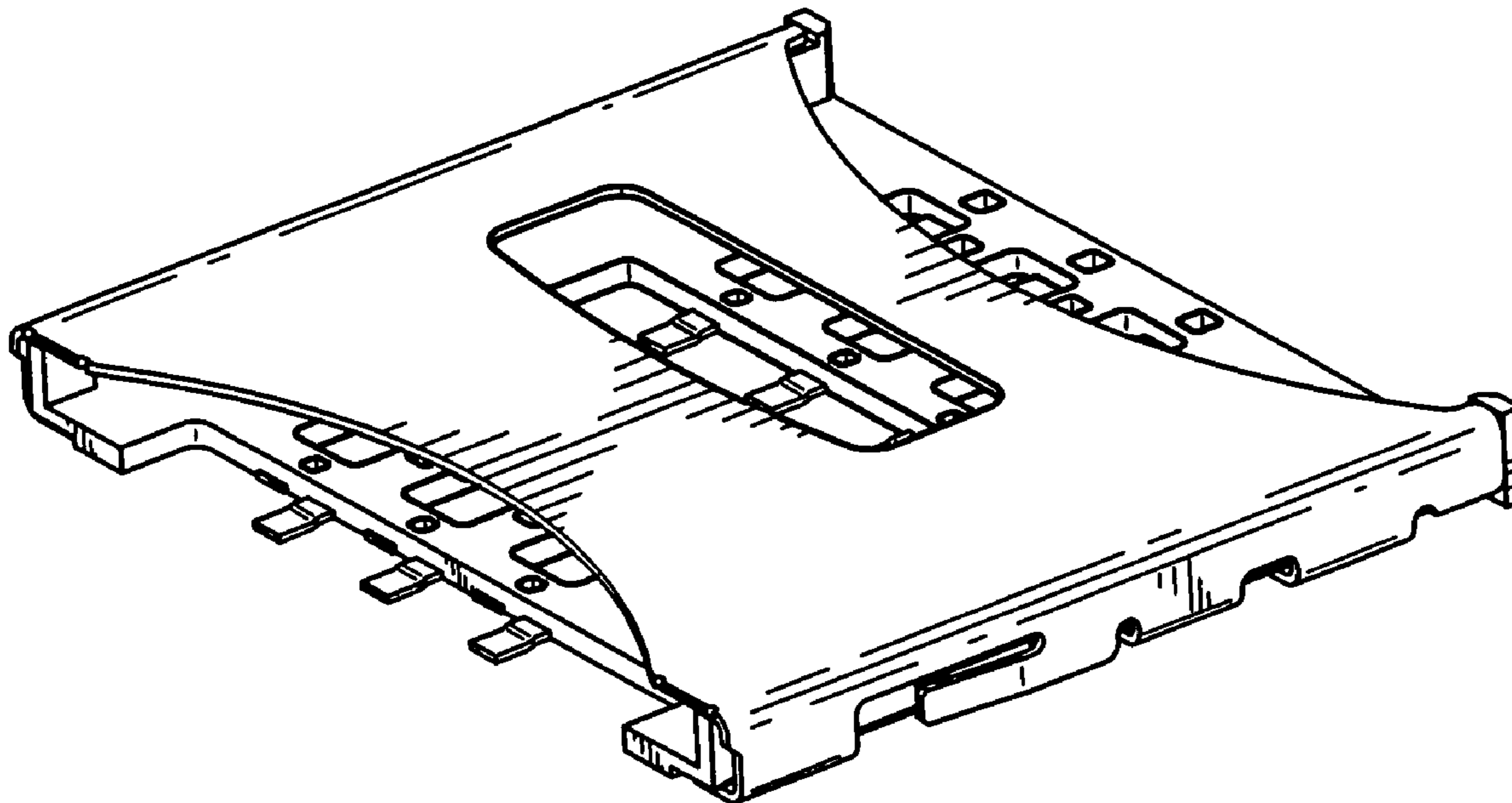
FIG. 5 is a right side elevational view thereof;

FIG. 6 is a top plan view thereof;

FIG. 7 is a bottom plan view thereof; and,

FIG. 8 is another perspective view of the SIM card connector showing my new design.

1 Claim, 8 Drawing Sheets



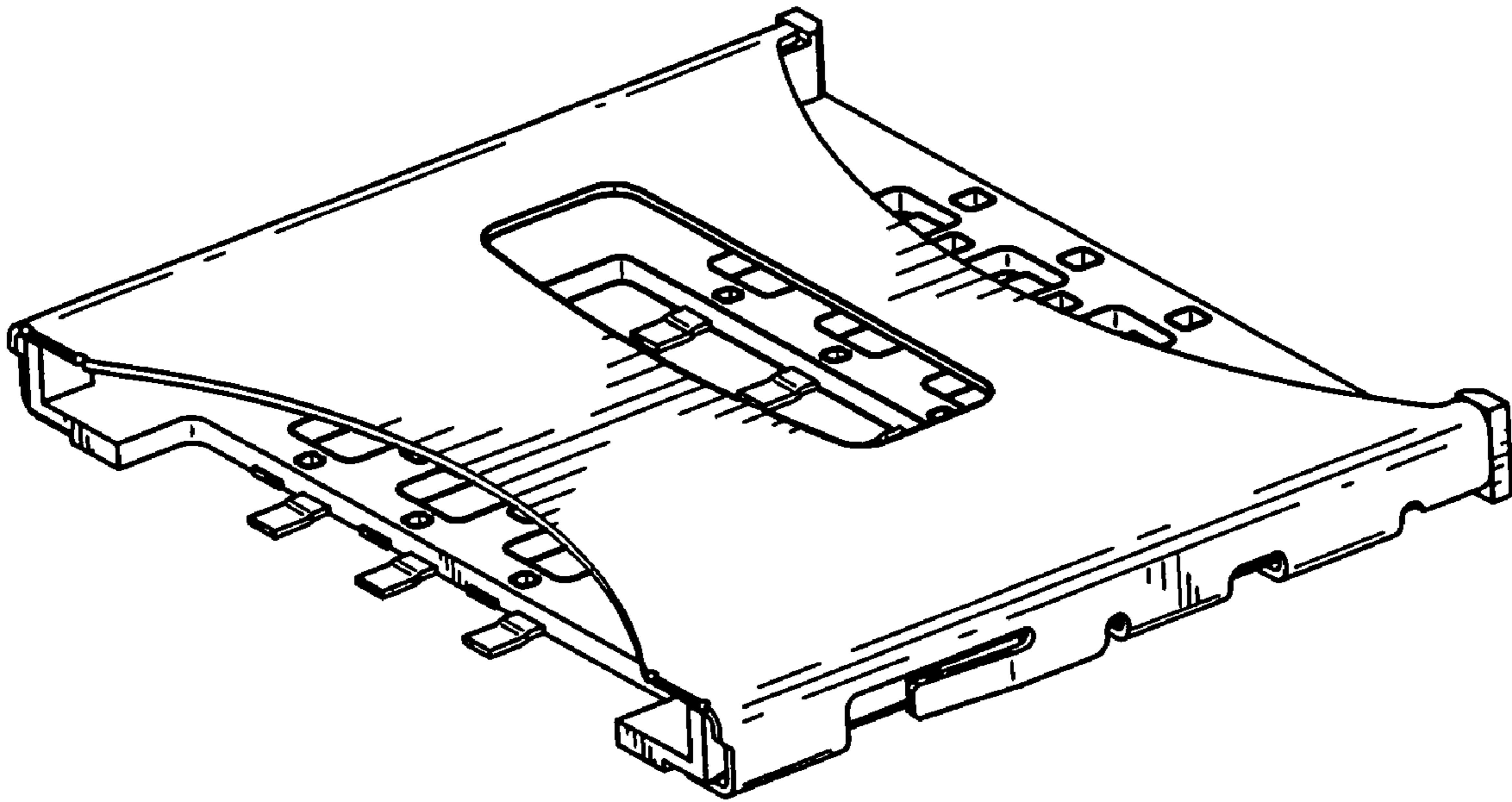


FIG. 1

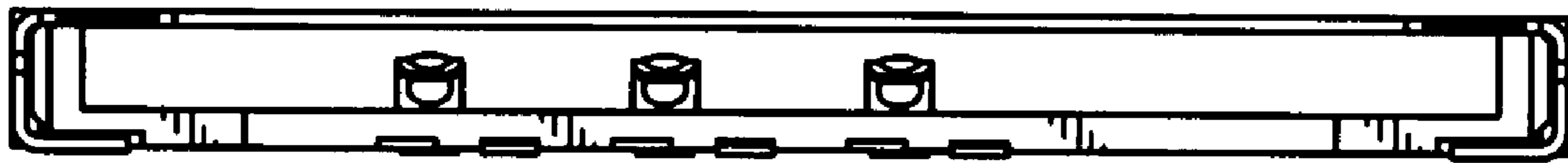


FIG. 2



FIG. 3



FIG. 4



FIG. 5

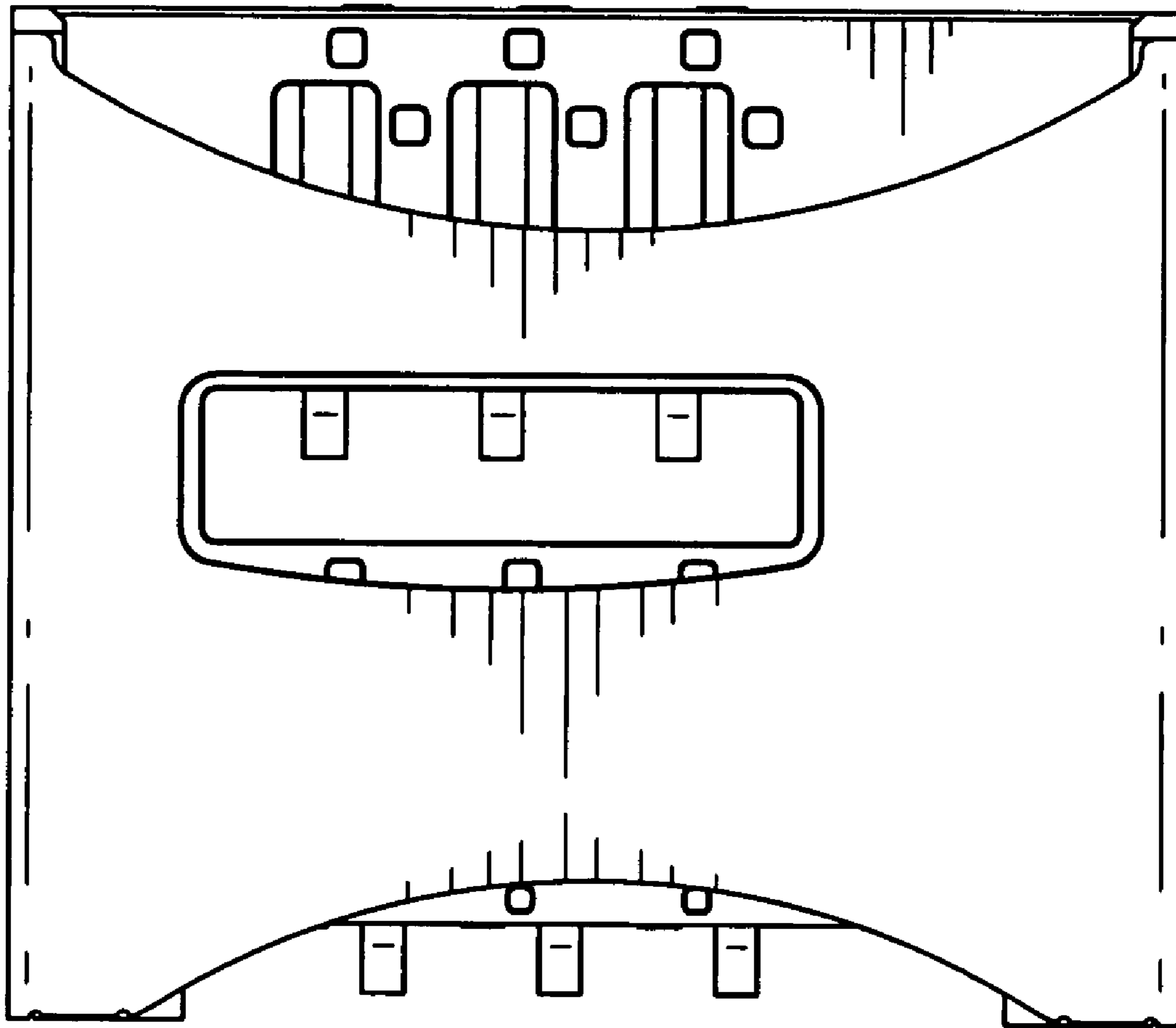


FIG. 6

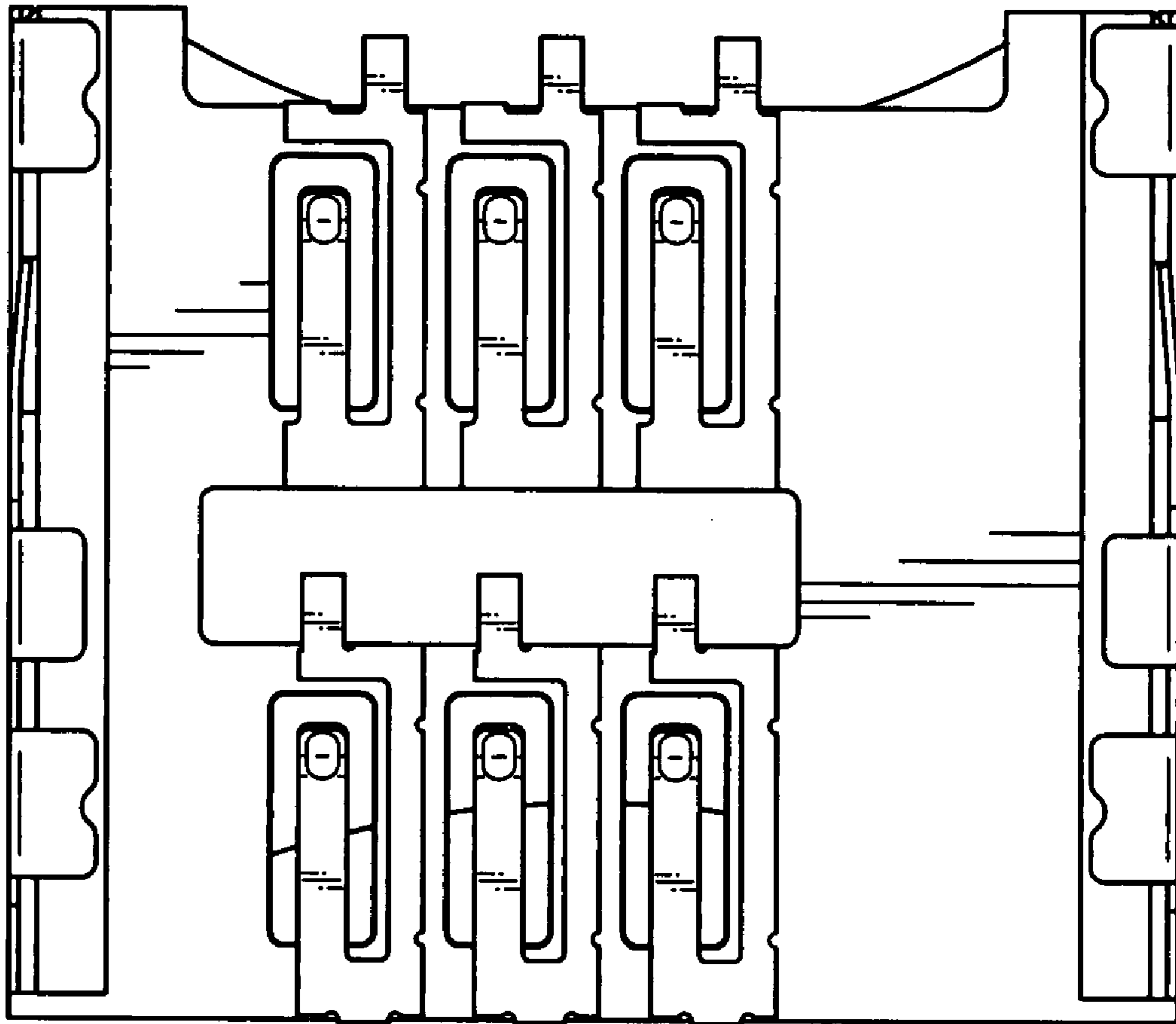


FIG. 7

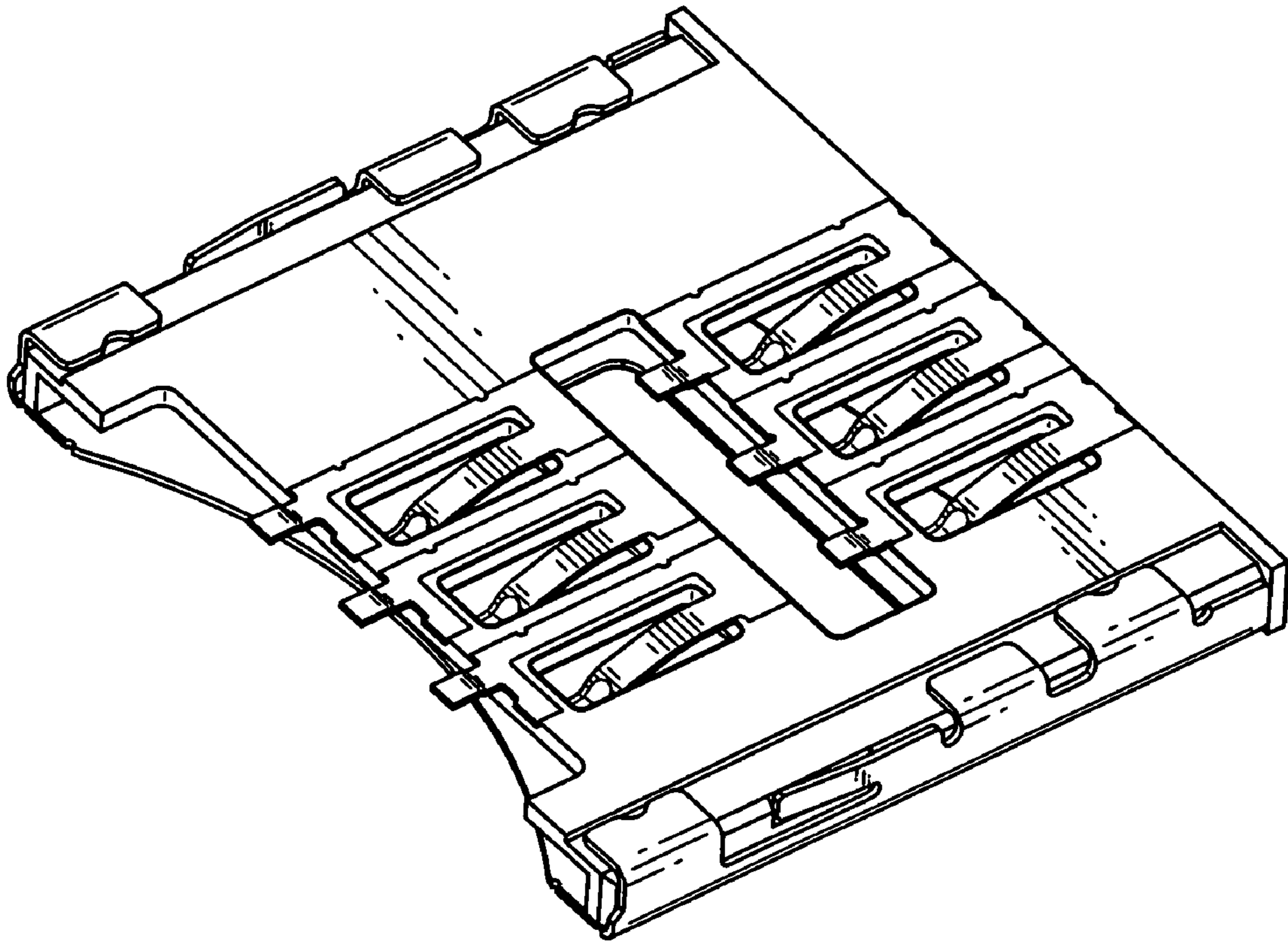


FIG. 8