



US00D570289S

(12) **United States Design Patent**
Obikane

(10) **Patent No.:** **US D570,289 S**

(45) **Date of Patent:** **** Jun. 3, 2008**

(54) **ELECTRICAL CONNECTOR**

7,232,317 B2 * 6/2007 Ookura 439/74

(75) Inventor: **Hiroaki Obikane**, Tokyo (JP)

FOREIGN PATENT DOCUMENTS

(73) Assignee: **Japan Aviation Electronics Industry, Limited**, Tokyo (JP)

JP	501 896	9/2002
JP	D1173148	5/2003
JP	D1176332	6/2003
JP	D1230471	2/2005

(**) Term: **14 Years**

OTHER PUBLICATIONS

(21) Appl. No.: **29/270,804**

Taiwan Office Action dated Oct. 5, 2007 with English translation of pertinent portions.

(22) Filed: **Jan. 3, 2007**

* cited by examiner

(30) **Foreign Application Priority Data**

Jul. 5, 2006 (JP) 2006-017686

Primary Examiner—Daniel Bui

(74) *Attorney, Agent, or Firm*—Collard & Roe, P.C.

(51) **LOC (8) Cl.** **13-03**

(57) **CLAIM**

(52) **U.S. Cl.** **D13/147**

The ornamental design for an electrical connector, as shown and described.

(58) **Field of Classification Search** D13/133,
D13/146–147, 154, 184; D14/432–433,
D14/435–436, 438; 439/64, 79, 108, 260,
439/159–160, 325–326, 329, 394–395, 607–610,
439/629–630

DESCRIPTION

See application file for complete search history.

FIG. 1 is a front elevational view of an electrical connector, showing my new design;

(56) **References Cited**

FIG. 2 is a top plan view thereof;

U.S. PATENT DOCUMENTS

FIG. 3 is a rear elevational view thereof;

D413,577 S *	9/1999	Ono et al.	D13/147
D455,125 S *	4/2002	Shimoyama et al.	D13/147
D502,921 S *	3/2005	Zhang et al.	D13/147
7,037,117 B2 *	5/2006	Goto	439/74
D539,226 S *	3/2007	Yamada et al.	D13/147
D539,227 S *	3/2007	Yamada et al.	D13/147
D540,263 S *	4/2007	Kishi et al.	D13/147
D544,447 S *	6/2007	Peng et al.	D13/147

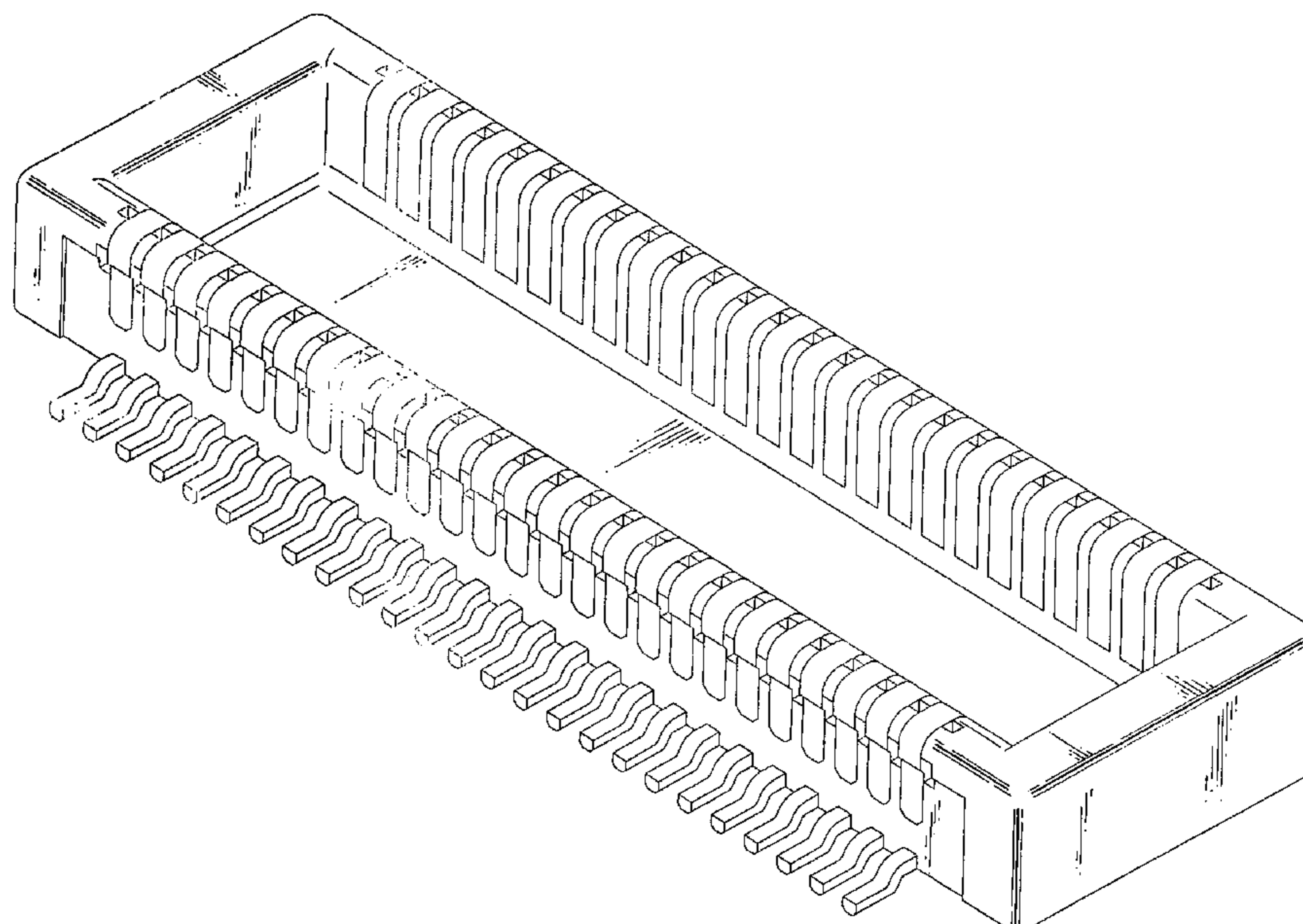
FIG. 4 is a bottom plan view thereof;

FIG. 5 is a right side elevational view thereof;

FIG. 6 is a left side elevational view thereof; and,

FIG. 7 is a perspective view illustrating of the front, right, and top-side thereof.

1 Claim, 6 Drawing Sheets



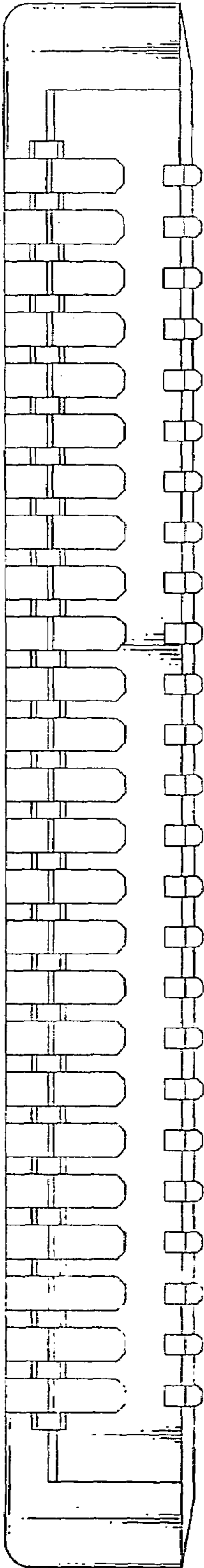


FIG. 1

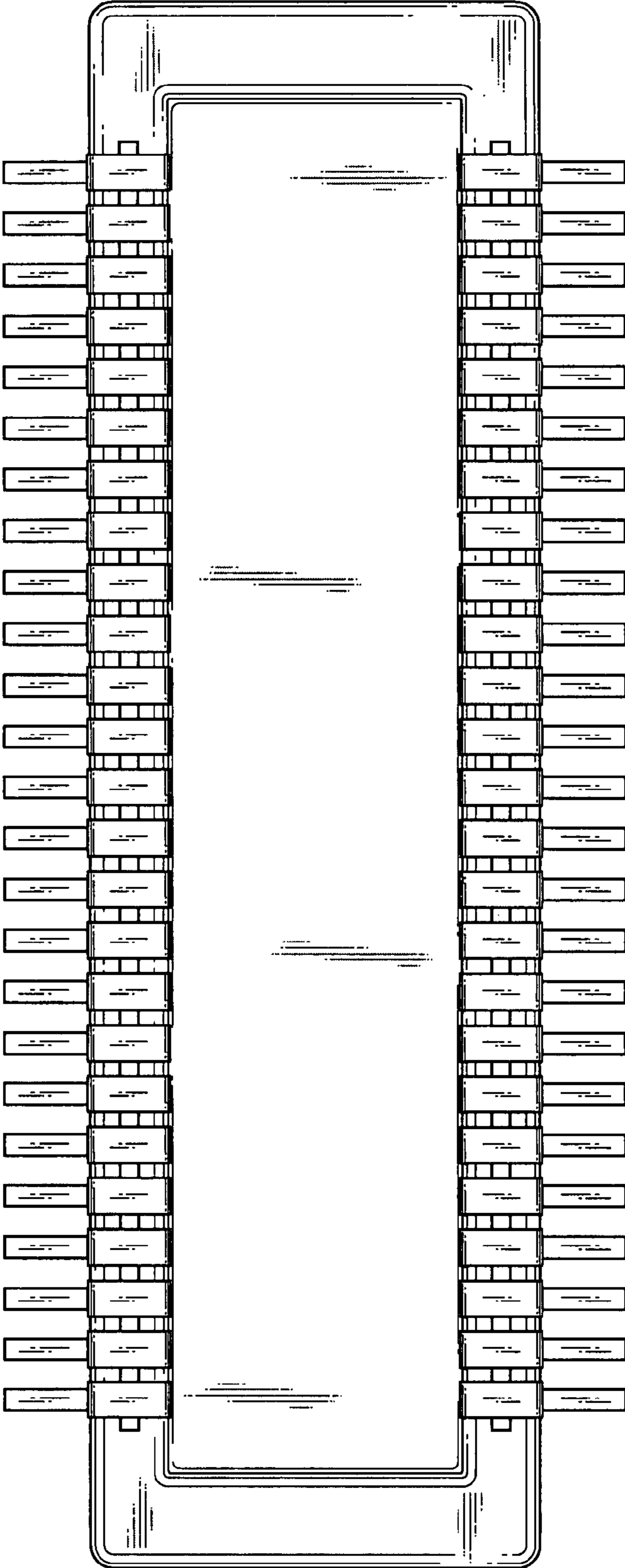


FIG. 2

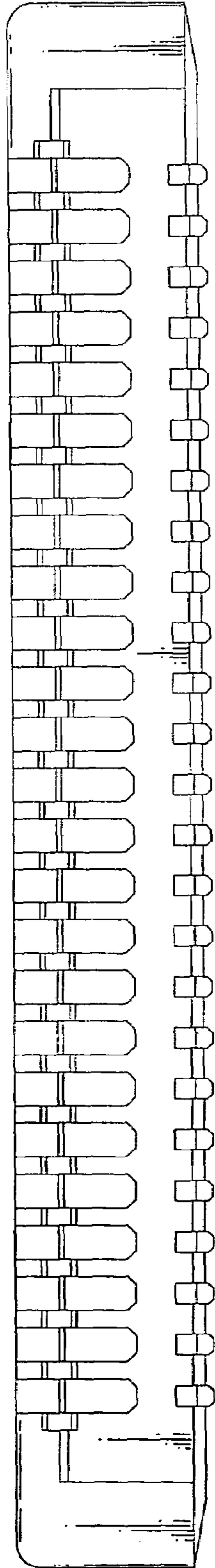


FIG. 3

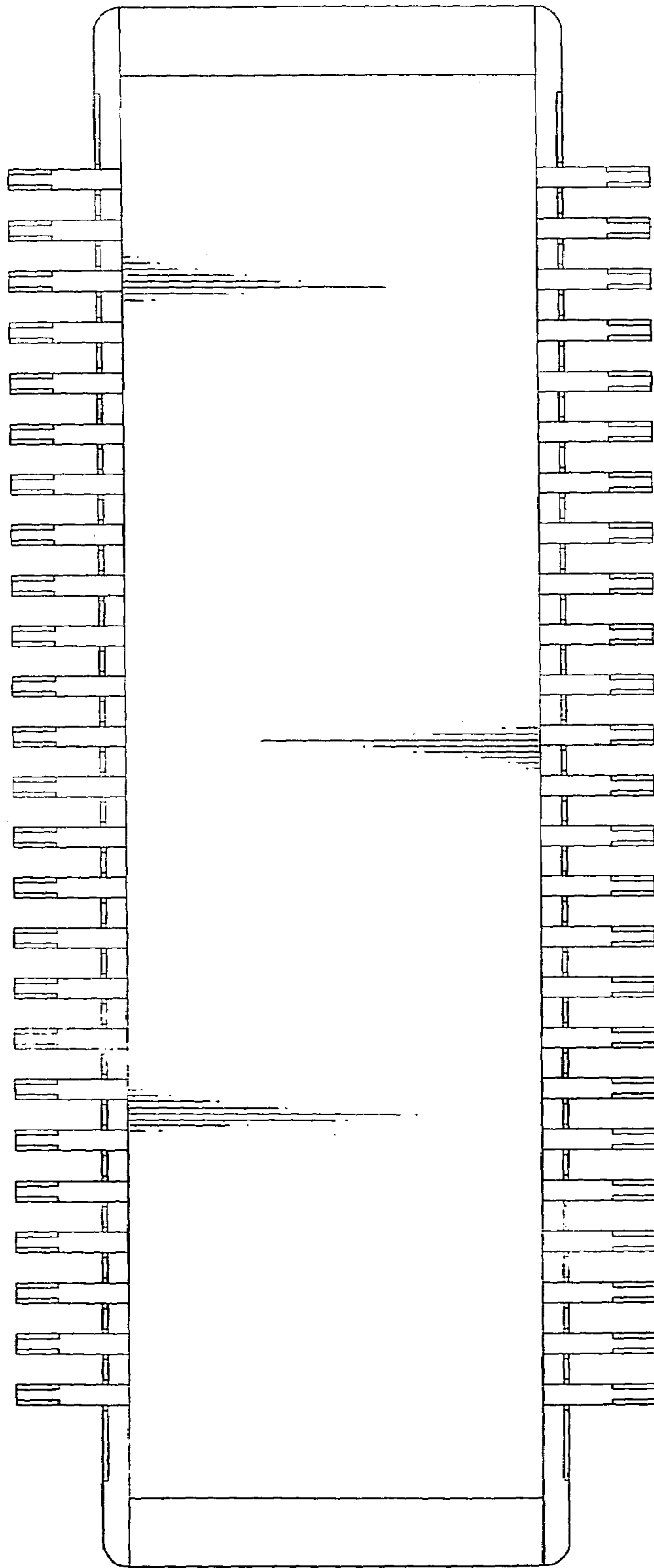


FIG. 4

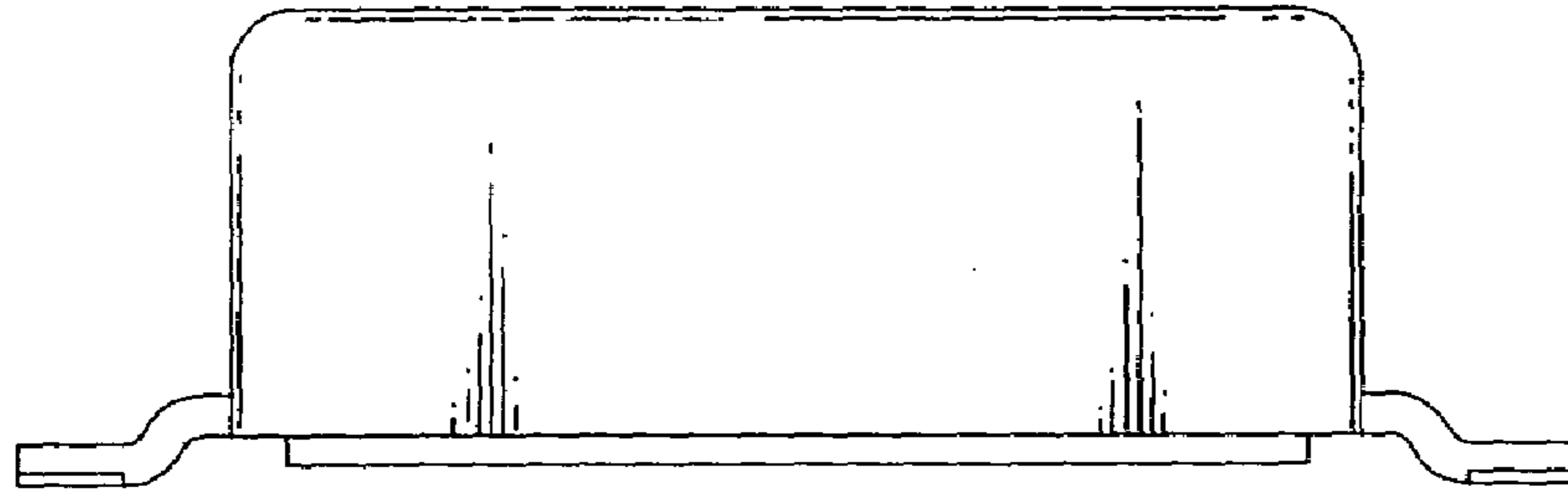


FIG. 5

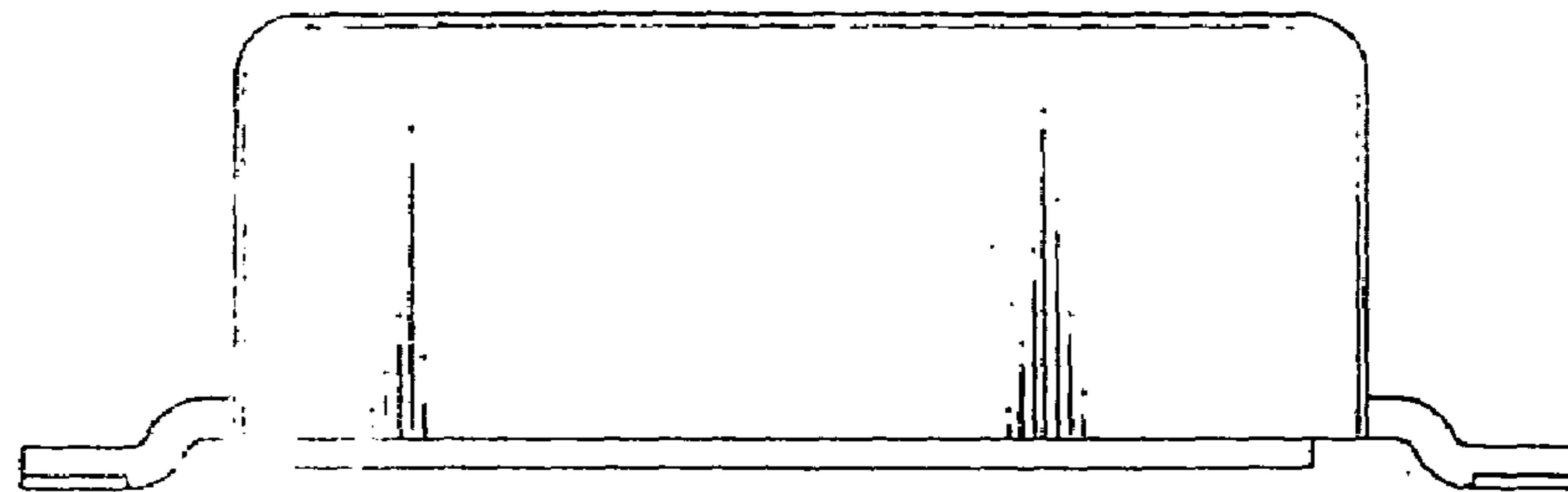


FIG. 6

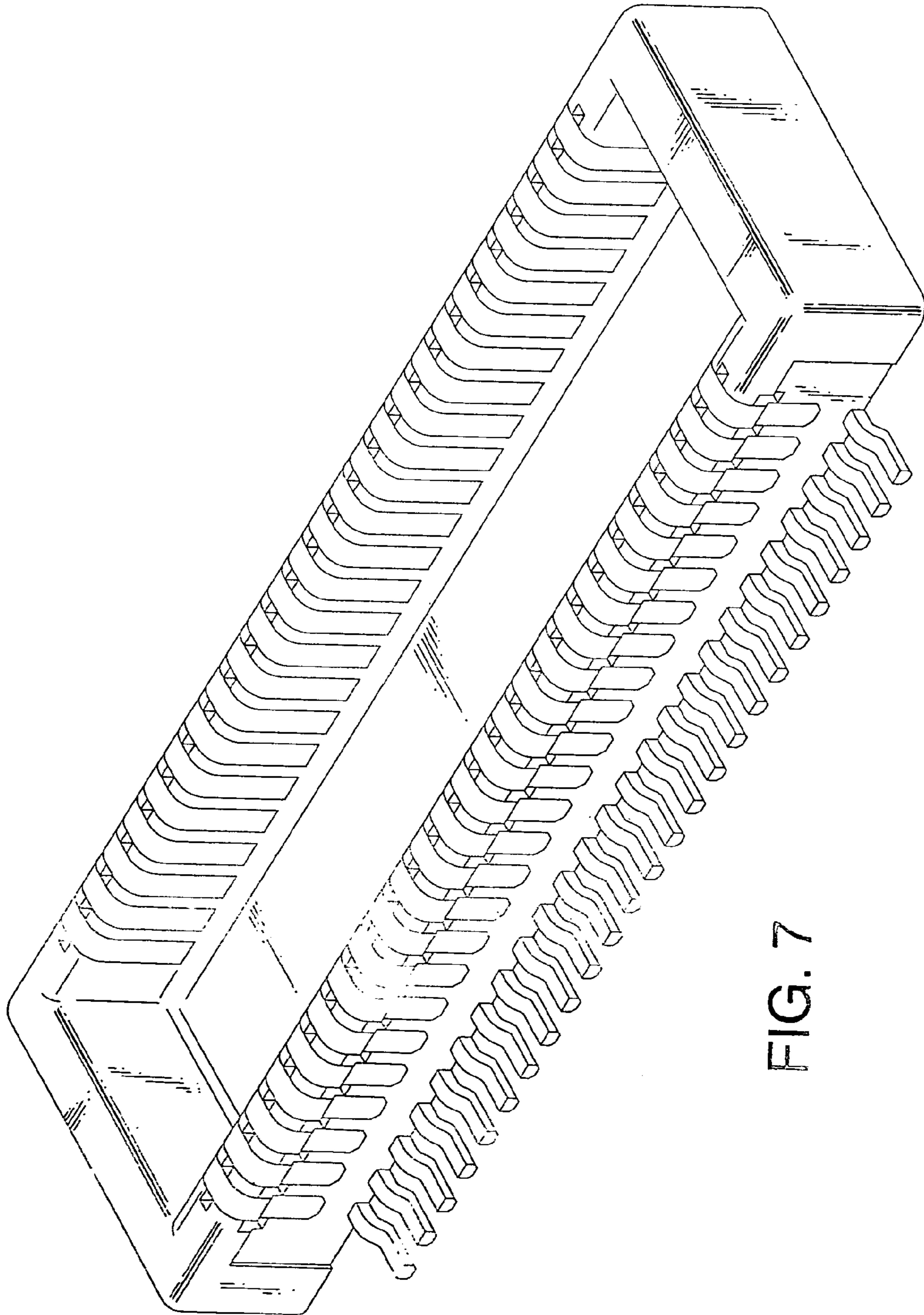


FIG. 7