

US00D570287S

(12) **United States Design Patent**
Chen et al.

(10) **Patent No.:** **US D570,287 S**
(45) **Date of Patent:** **** Jun. 3, 2008**

(54) **ELECTRICAL CONNECTOR**

(75) Inventors: **Zhi-Qiang Chen**, Kunshan (CN); **Bin Peng**, Kunshan (CN)

(73) Assignee: **Hon Hai Precision Ind. Co., Ltd**, Taipei Hsien (TW)

(**) Term: **14 Years**

(21) Appl. No.: **29/288,940**

(22) Filed: **Jun. 27, 2007**

(30) **Foreign Application Priority Data**

Dec. 27, 2006 (CN) 2006 3 0164586.1

(51) **LOC (8) Cl.** **13-03**

(52) **U.S. Cl.** **D13/133**

(58) **Field of Classification Search** D13/133,
D13/146-147, 154, 184, 199; 439/63, 78,
439/108, 540.1, 541.5, 607-610, 620.06,
439/620.15, 620.21, 638, 676

See application file for complete search history.

(56) **References Cited**

U.S. PATENT DOCUMENTS

D465,457 S * 11/2002 Hu et al. D13/147
D468,267 S * 1/2003 Yang et al. D13/147

D468,695 S * 1/2003 Yang et al. D13/147
D473,193 S * 4/2003 Yang et al. D13/147
D478,551 S * 8/2003 Zhang et al. D13/147
D552,550 S * 10/2007 Lin et al. D13/133

* cited by examiner

Primary Examiner—Daniel Bui

(74) *Attorney, Agent, or Firm*—Wei Te Chung

(57) **CLAIM**

The ornamental design for an electrical connector, as shown and described.

DESCRIPTION

FIG. 1 is a front, top and right side perspective view of an electrical connector showing our new design;

FIG. 2 is a front elevational view thereof;

FIG. 3 is a rear elevational view thereof;

FIG. 4 is a left side elevational view thereof;

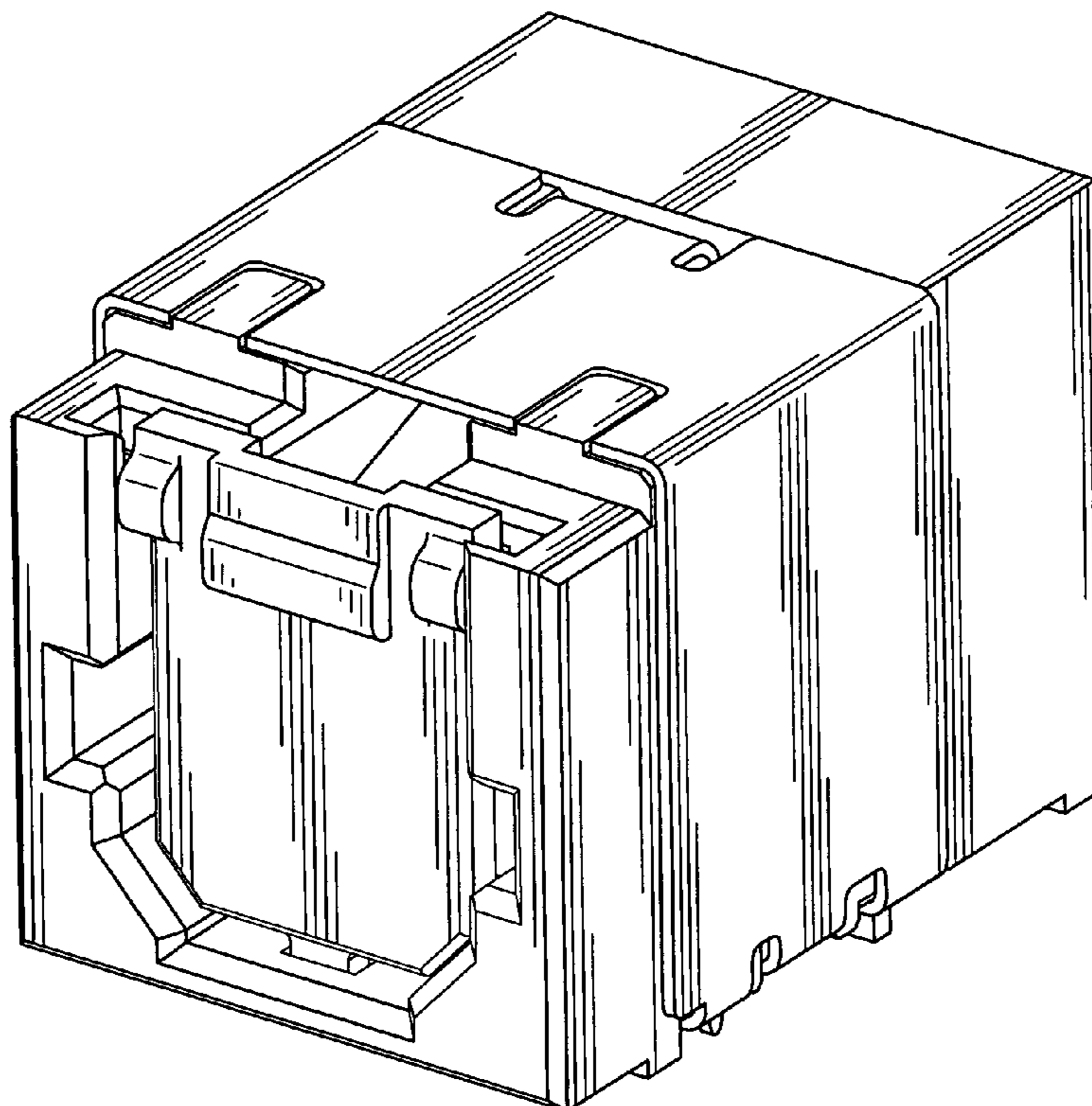
FIG. 5 is a right side elevational view thereof;

FIG. 6 is a top plan view thereof; and,

FIG. 7 is a bottom plan view thereof.

The broken line showing of the environment is for illustrative purposes only and forms no part of the claimed design.

1 Claim, 7 Drawing Sheets



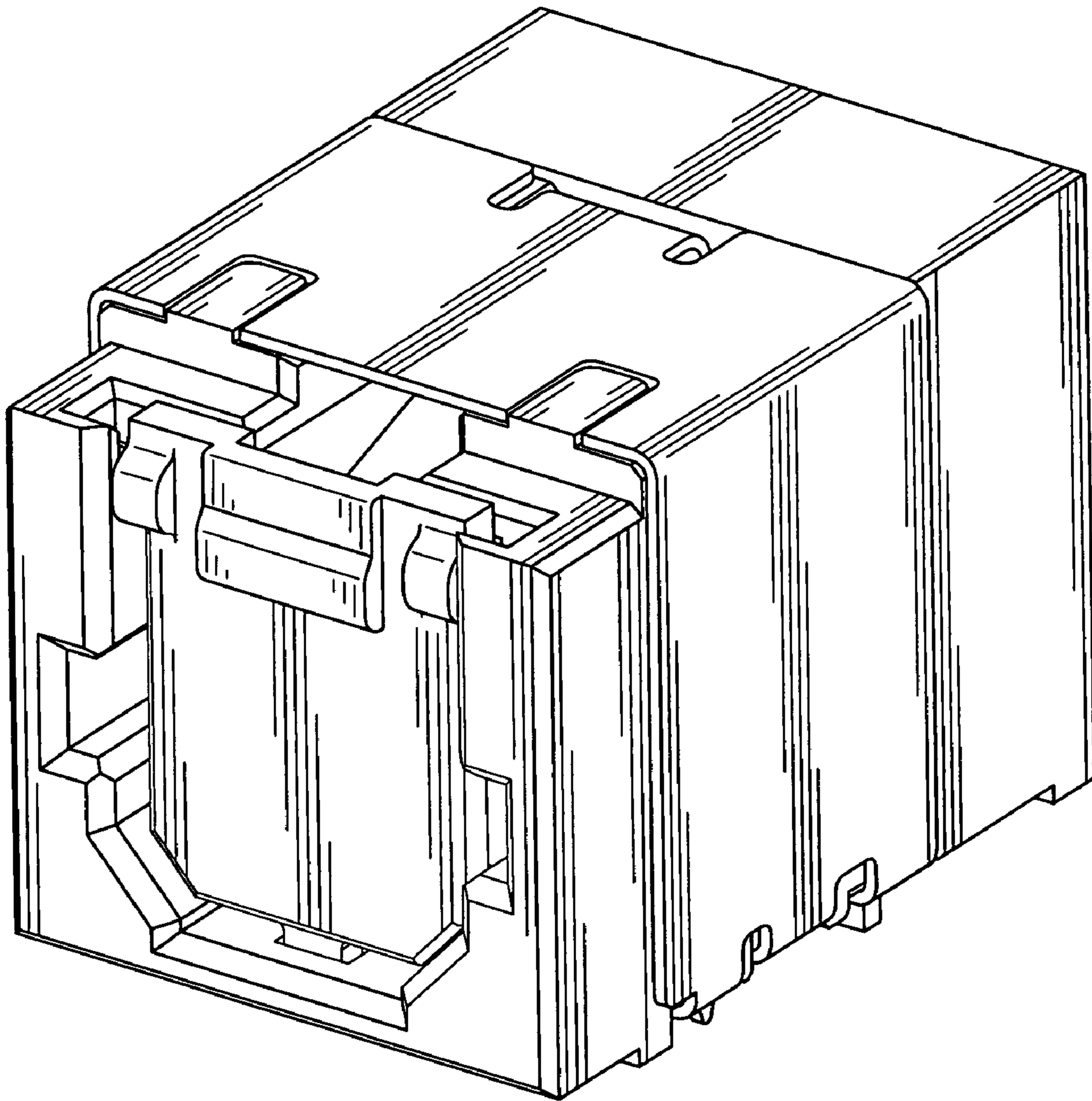


FIG. 1

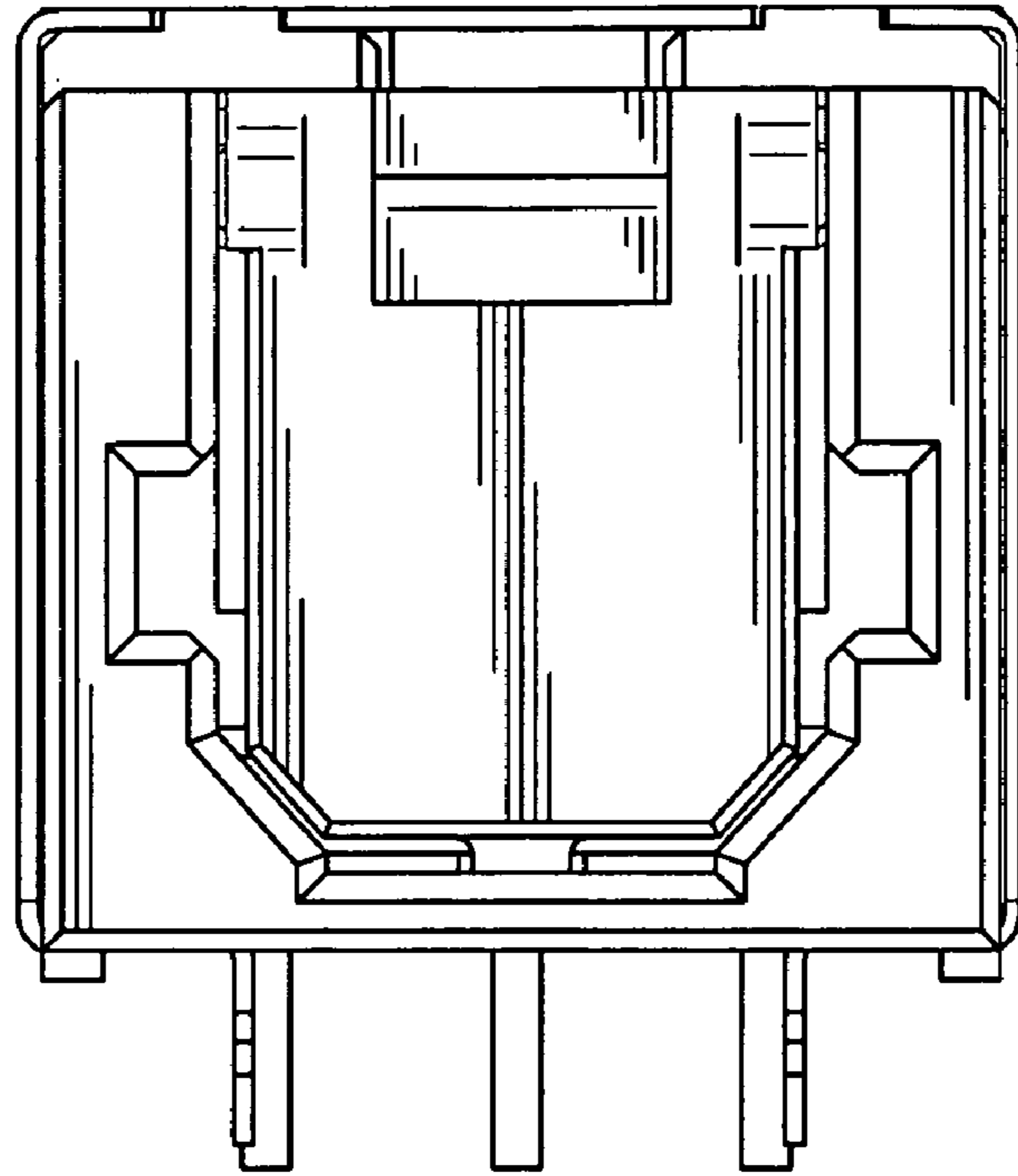


FIG. 2

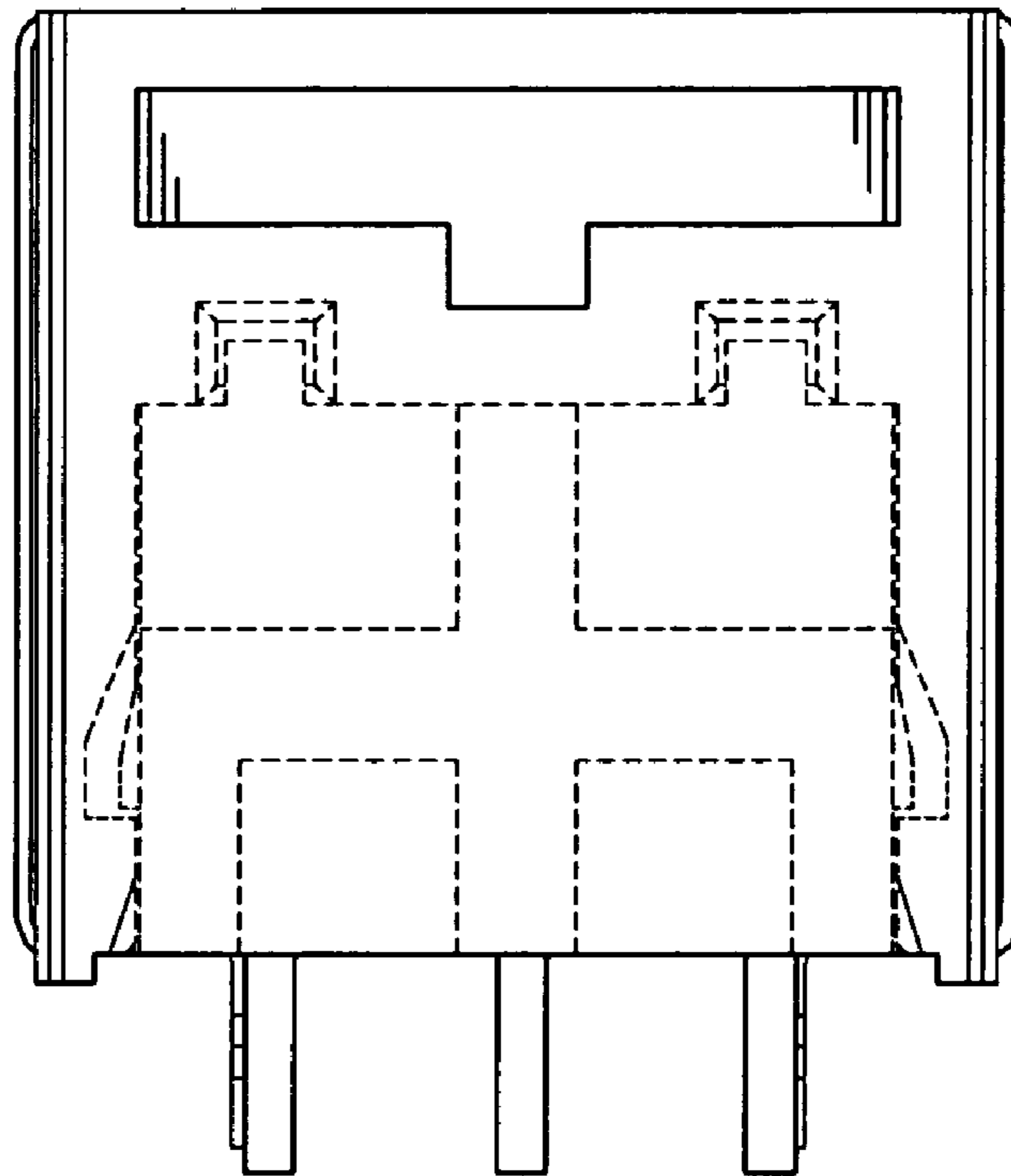


FIG. 3

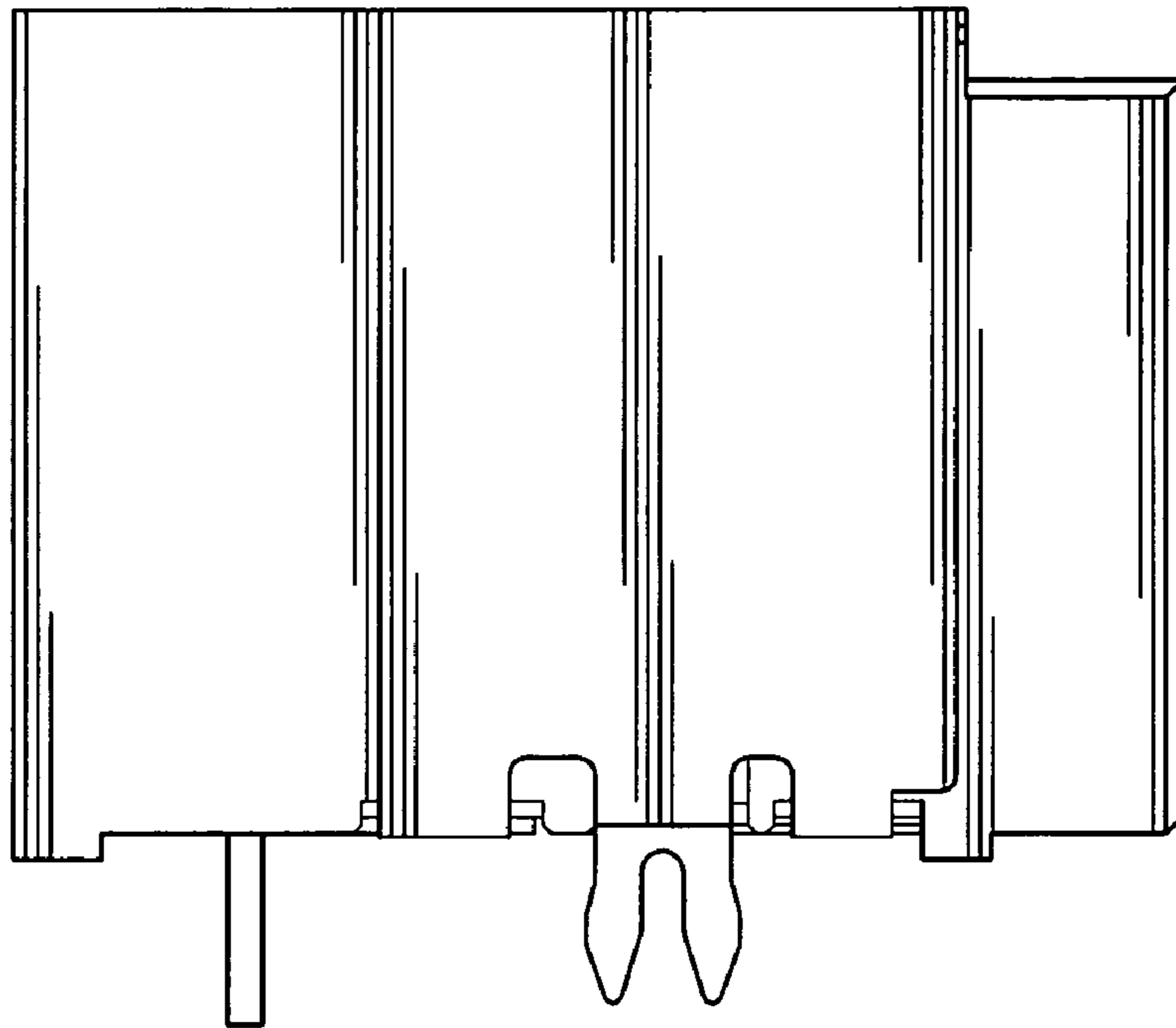


FIG. 4

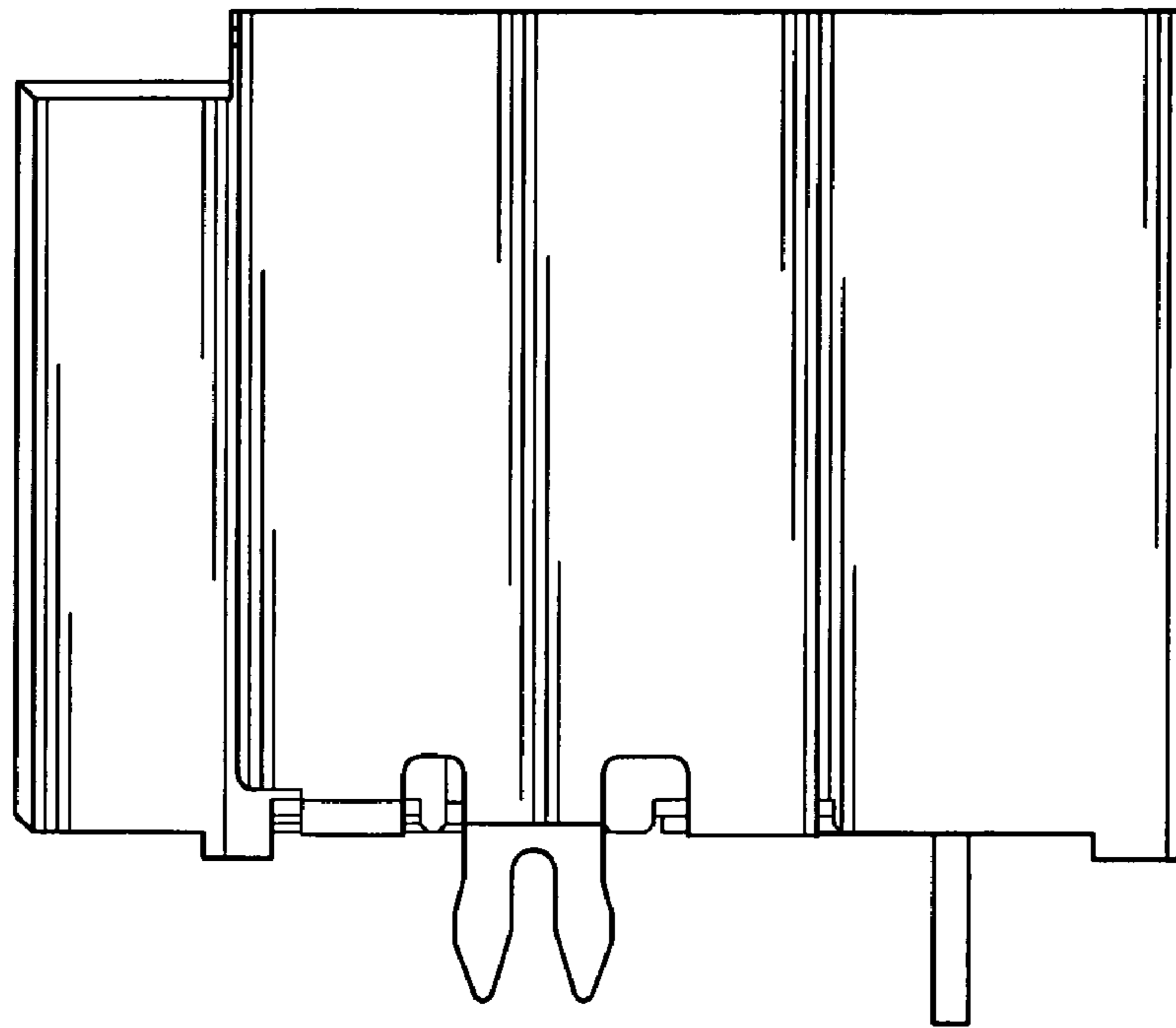


FIG. 5

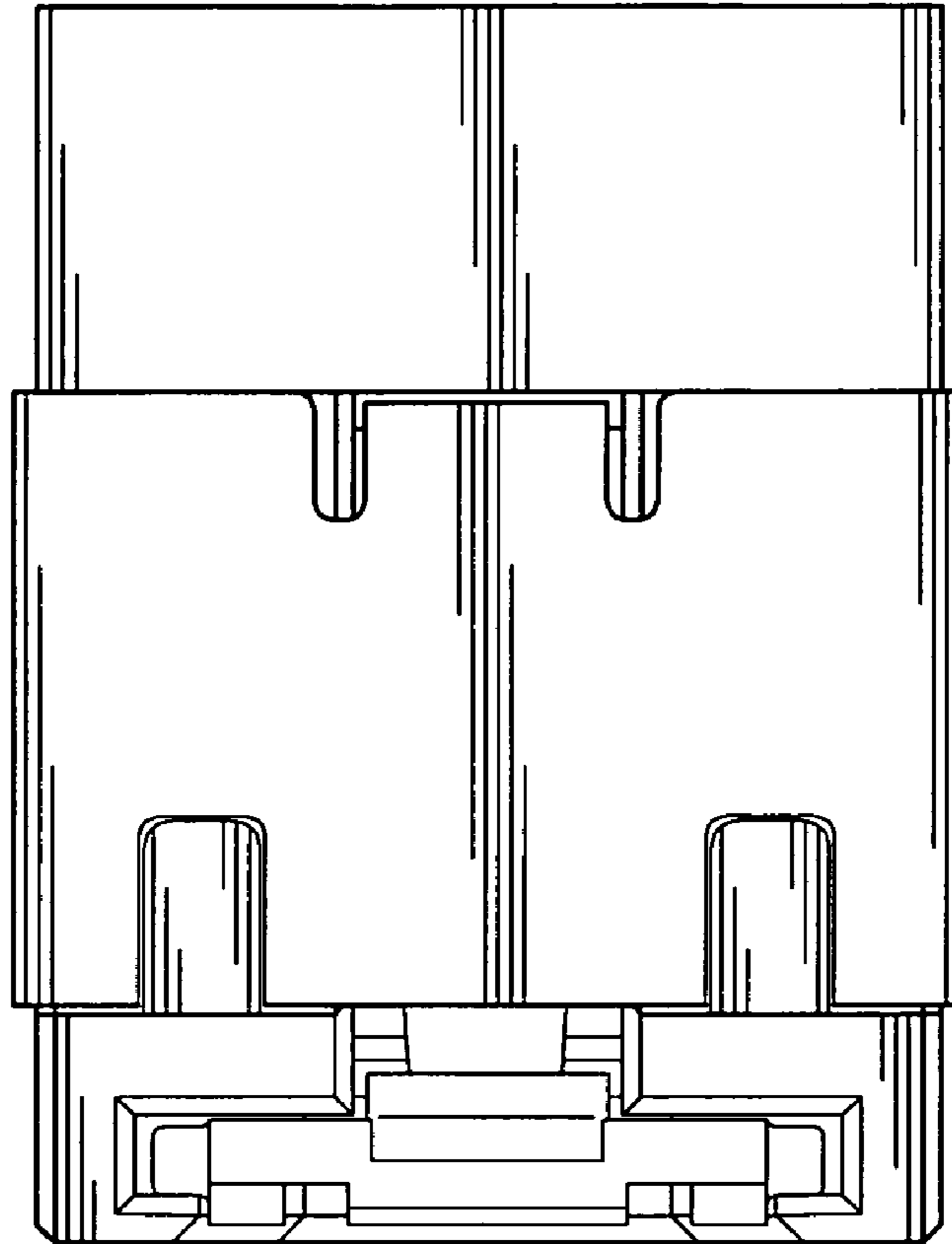


FIG. 6

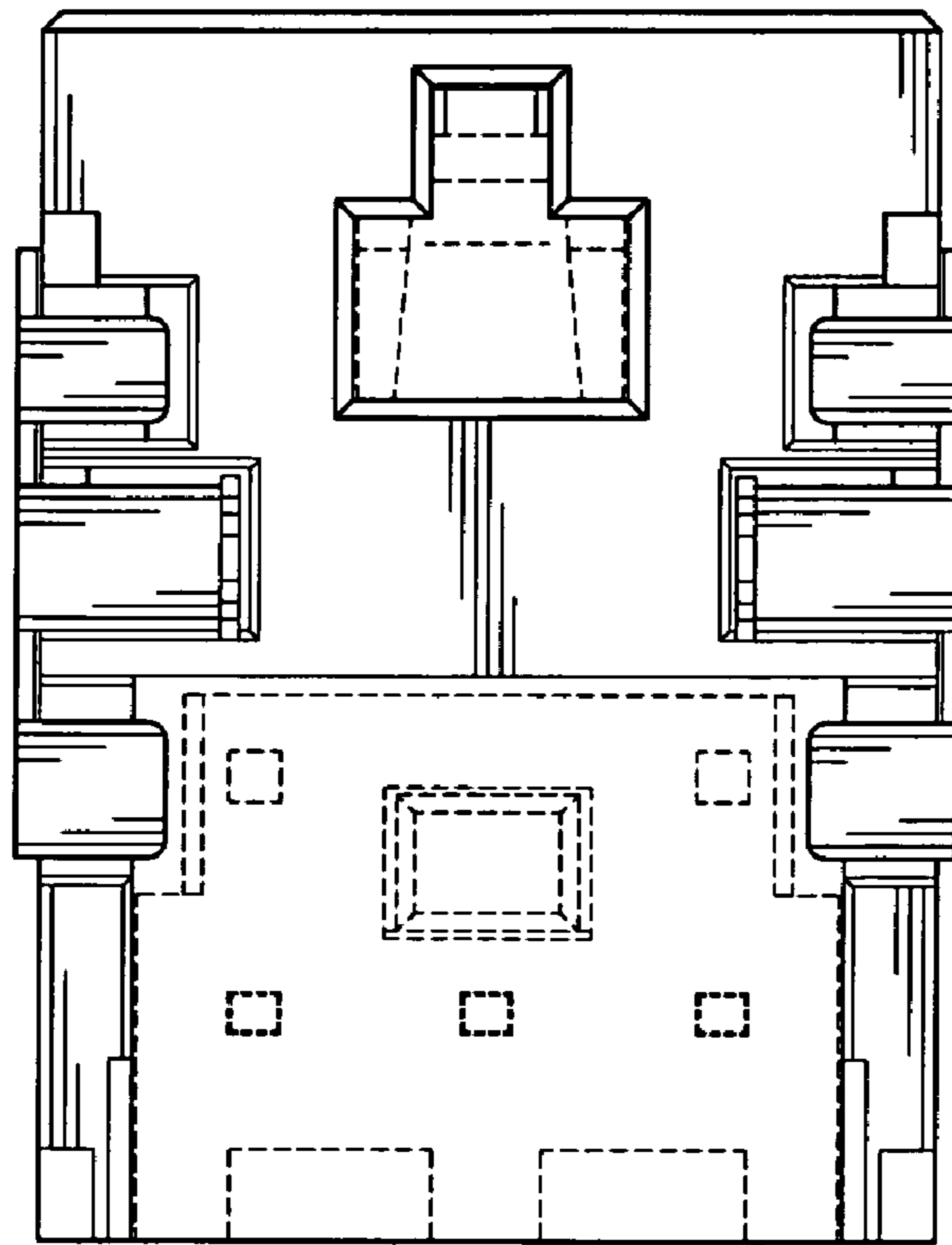


FIG. 7