

US00D570285S

(12) **United States Design Patent**
Fee et al.

(10) **Patent No.:** **US D570,285 S**
(45) **Date of Patent:** **** Jun. 3, 2008**

(54) **RECHARGEABLE BATTERY ADAPTER**

(75) Inventors: **John Arthur Fee**, Garland, TX (US);
Gary Joseph Tole, Plano, TX (US);
William S. Hart, Plano, TX (US);
Robert Joseph Miles, Plano, TX (US);
Adam Wade, Rancho Santa Margarita,
CA (US)

(73) Assignee: **10Charge, Inc.**, Addison, TX (US)

(**) Term: **14 Years**

(21) Appl. No.: **29/266,556**

(22) Filed: **Sep. 22, 2006**

(51) **LOC (8) Cl.** **13-03**

(52) **U.S. Cl.** **D13/133**

(58) **Field of Classification Search** D13/133,
D13/154, 184, 199, 146, 147, 149; 439/344,
439/367, 381, 391, 460, 490, 573, 578, 620
See application file for complete search history.

(56) **References Cited**

U.S. PATENT DOCUMENTS

4,878,848	A	*	11/1989	Ingalsbe	439/76.1
D319,624	S	*	9/1991	Blackburn	D13/133
D368,265	S	*	3/1996	Fan	D14/256
D402,632	S	*	12/1998	Richards et al.	D13/154
D409,156	S	*	5/1999	Taylor et al.	D13/174

D443,859	S	*	6/2001	Hogan	D13/133
D455,720	S	*	4/2002	Bentz et al.	D13/154
D457,497	S	*	5/2002	Bentz et al.	D13/154
D473,845	S	*	4/2003	Bender et al.	D13/133
D528,983	S	*	9/2006	Solida	D13/146
D537,782	S	*	3/2007	Kikuchi	D13/133
D550,614	S	*	9/2007	Fee et al.	D13/107

* cited by examiner

Primary Examiner—Daniel D Bui

Assistant Examiner—Thomas J Johannes

(74) *Attorney, Agent, or Firm*—Jackson Walker LLP; Robert C. Klinger

(57) **CLAIM**

The ornamental design for a rechargeable battery adapter, as shown and described.

DESCRIPTION

FIG. 1 is a perspective view of a rechargeable battery adapter, showing our new design.

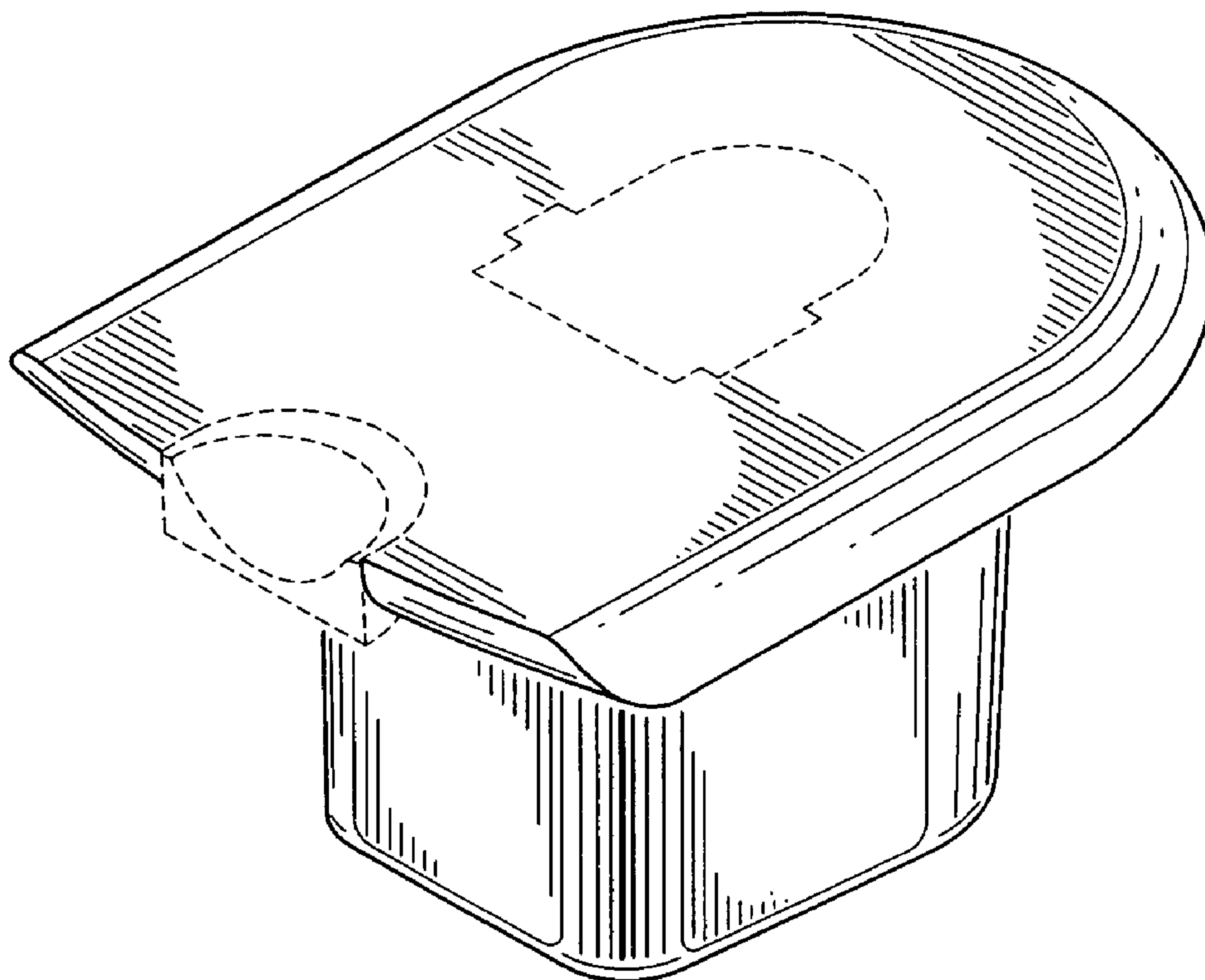
FIG. 2 is a top view thereof;

FIG. 3 is a right side view thereof; and,

FIG. 4 is a bottom view thereof.

The rechargeable battery adapter portion shown in broken lines is for illustrative purposes only and forms no part of the claimed design.

1 Claim, 2 Drawing Sheets



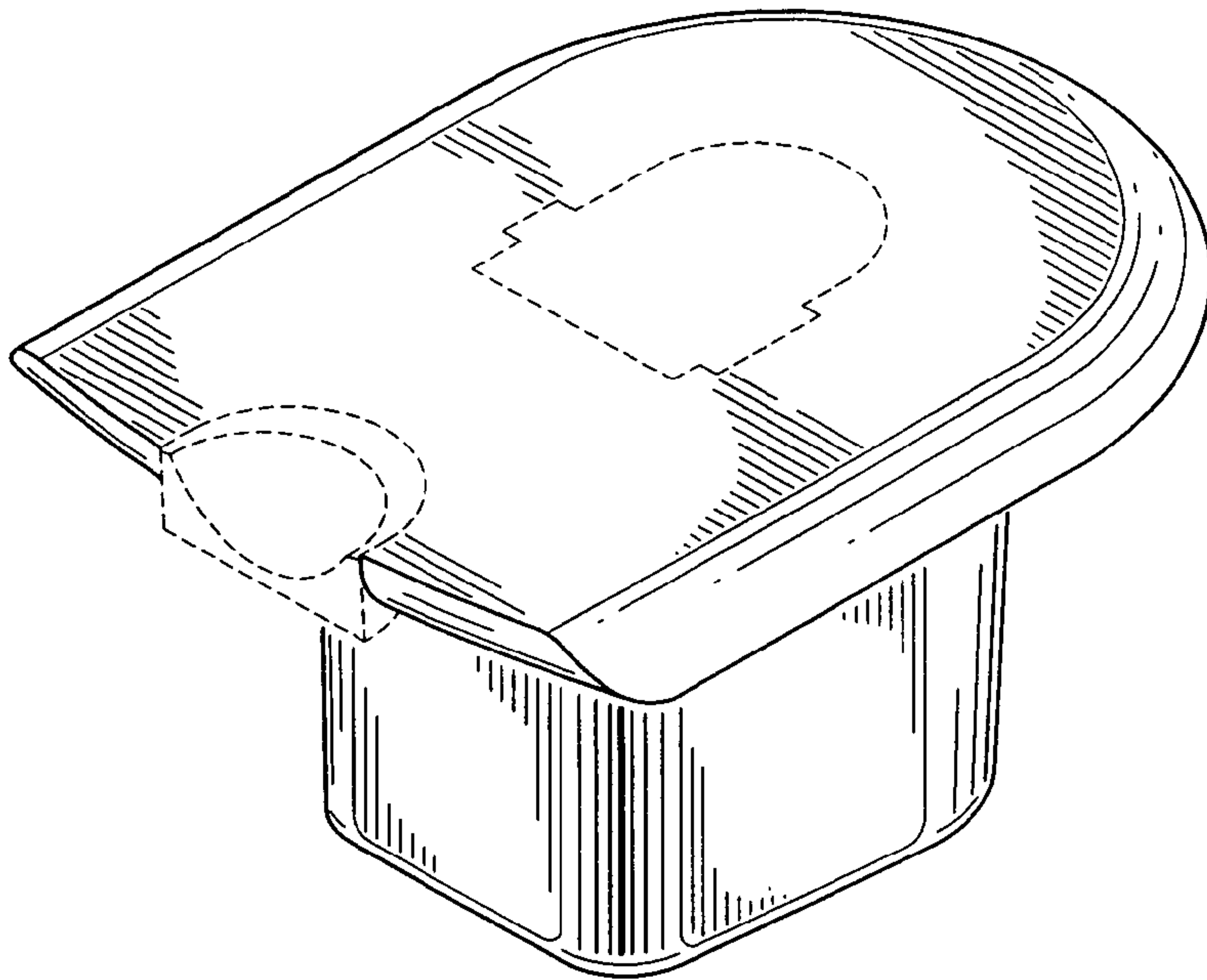


FIG. 1

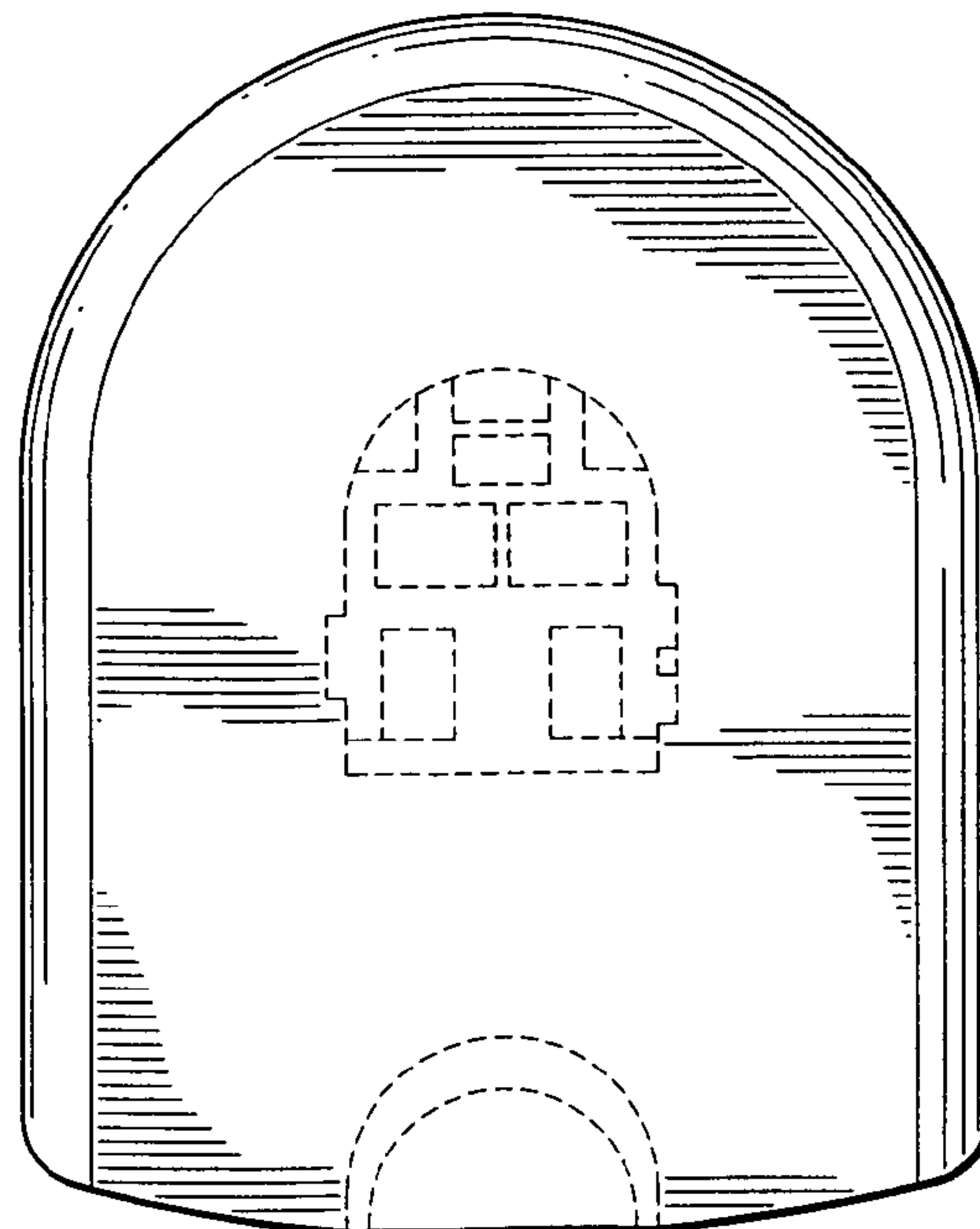


FIG. 2

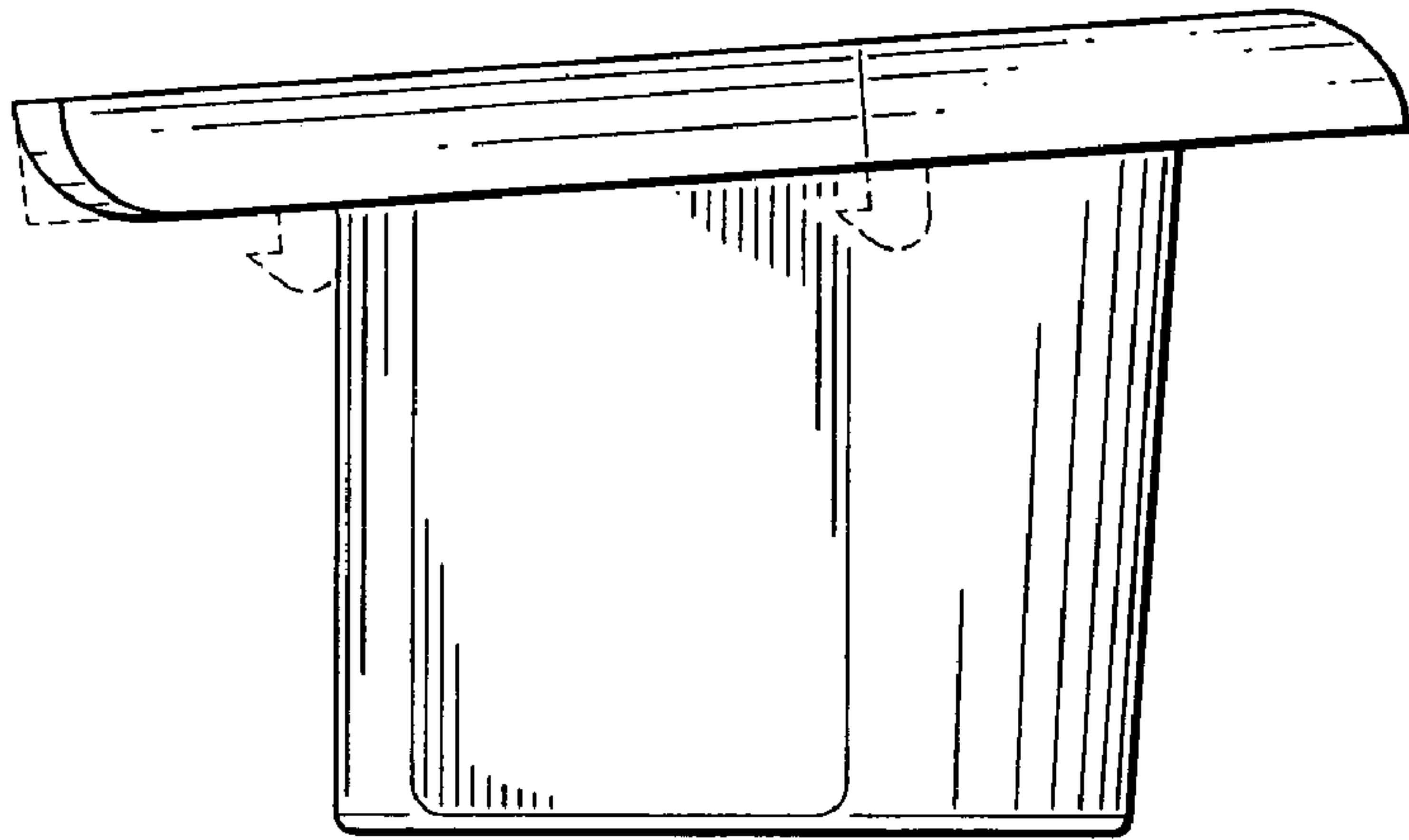


FIG. 3

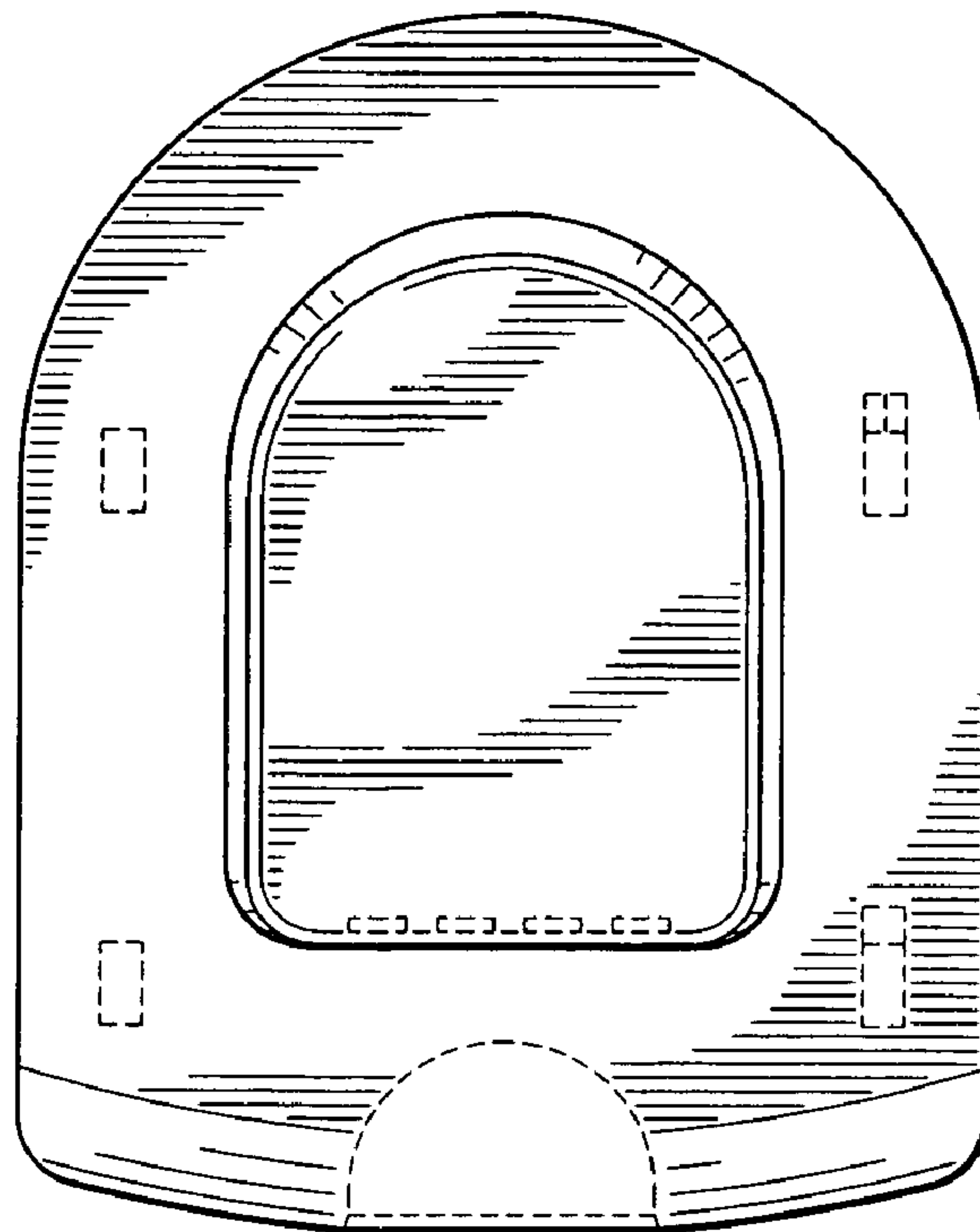


FIG. 4