



US00D570282S

(12) **United States Design Patent**
Thorsteinsson et al.

(10) **Patent No.:** **US D570,282 S**
(45) **Date of Patent:** **** Jun. 3, 2008**

(54) **ELECTRICAL TRANSFORMER**

- (75) Inventors: **Sigurdur Thorsteinsson**, Milan (IT);
Egil Stryken, Solbergelva (NO);
Richard Tinggren, Thalwil (CH)
- (73) Assignee: **ABB Technology AG** (CH)
- (**) Term: **14 Years**
- (21) Appl. No.: **29/282,093**
- (22) Filed: **Jul. 11, 2007**

Related U.S. Application Data

- (62) Division of application No. 29/275,256, filed on Dec. 19, 2006, now Pat. No. Des. 550,155, which is a division of application No. 29/204,775, filed on May 5, 2004, now Pat. No. Des. 542,734.

Foreign Application Priority Data

- (30) Nov. 12, 2003 (EM) 000102397

- (51) **LOC (8) Cl.** **13-02**
- (52) **U.S. Cl.** **D13/110**
- (58) **Field of Classification Search** D13/110,
D13/101, 199; 174/52 R; 220/4.02; 336/92,
336/94, 98, 107; 363/153, 171
See application file for complete search history.

References Cited

U.S. PATENT DOCUMENTS

- 2,325,470 A * 7/1943 Bonanno et al. 336/92
- D188,248 S 6/1960 Albright et al.
- D188,249 S 6/1960 Albright et al.
- 2,947,957 A 8/1960 Spindler
- D202,045 S 8/1965 Oberlin
- 3,479,563 A 11/1969 Roy
- 4,027,279 A 5/1977 Shigehara et al.
- D254,846 S * 4/1980 Wood D13/110
- D257,342 S 10/1980 Payne
- D259,040 S 4/1981 Pierce
- D290,456 S 6/1987 Burgher et al.
- D348,868 S * 7/1994 Terlop et al. D13/110
- 6,185,811 B1 2/2001 Perry et al.

OTHER PUBLICATIONS

- ABB Inc., Power Transformers, 2003, 11 pgs.
- ASA Trafobau GMBH, 24 pgs., date unknown.
- Koncar-Distributivni I Specijalni Transformatori d.d., Power Transformers, (3,2) V 01, 8 pgs., date unknown.
- SGB Starkstrom and SMIT Transformers, Partners in Power, 6 pgs.
- MF Transformatori srl, Oil Filled Transformer, 14 pgs., date unknown.

* cited by examiner

Primary Examiner—Prabhakar Deshmukh

Assistant Examiner—Derrick Holland

(74) *Attorney, Agent, or Firm*—Connolly Bove Lodge & Hutz LLP

CLAIM

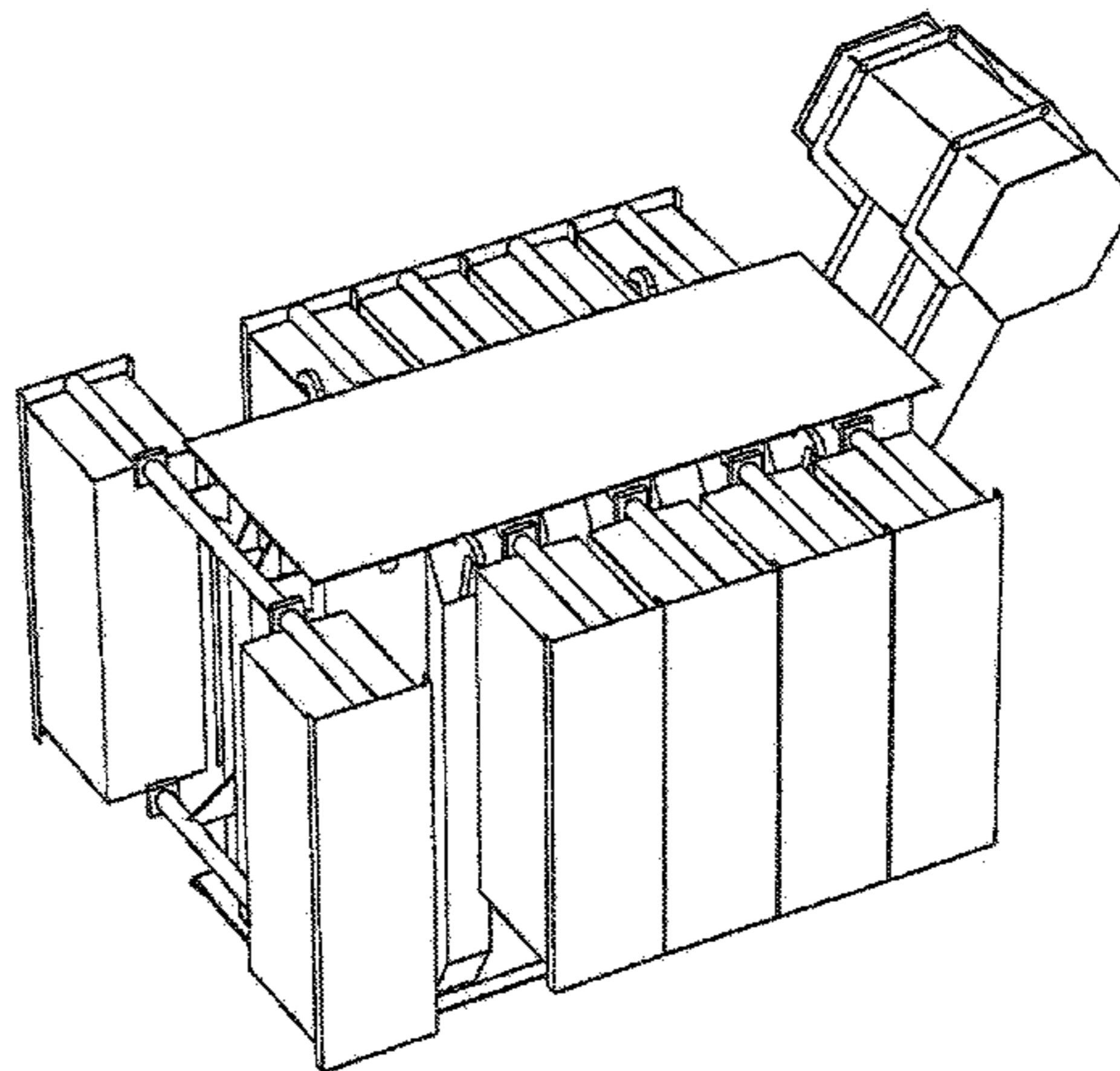
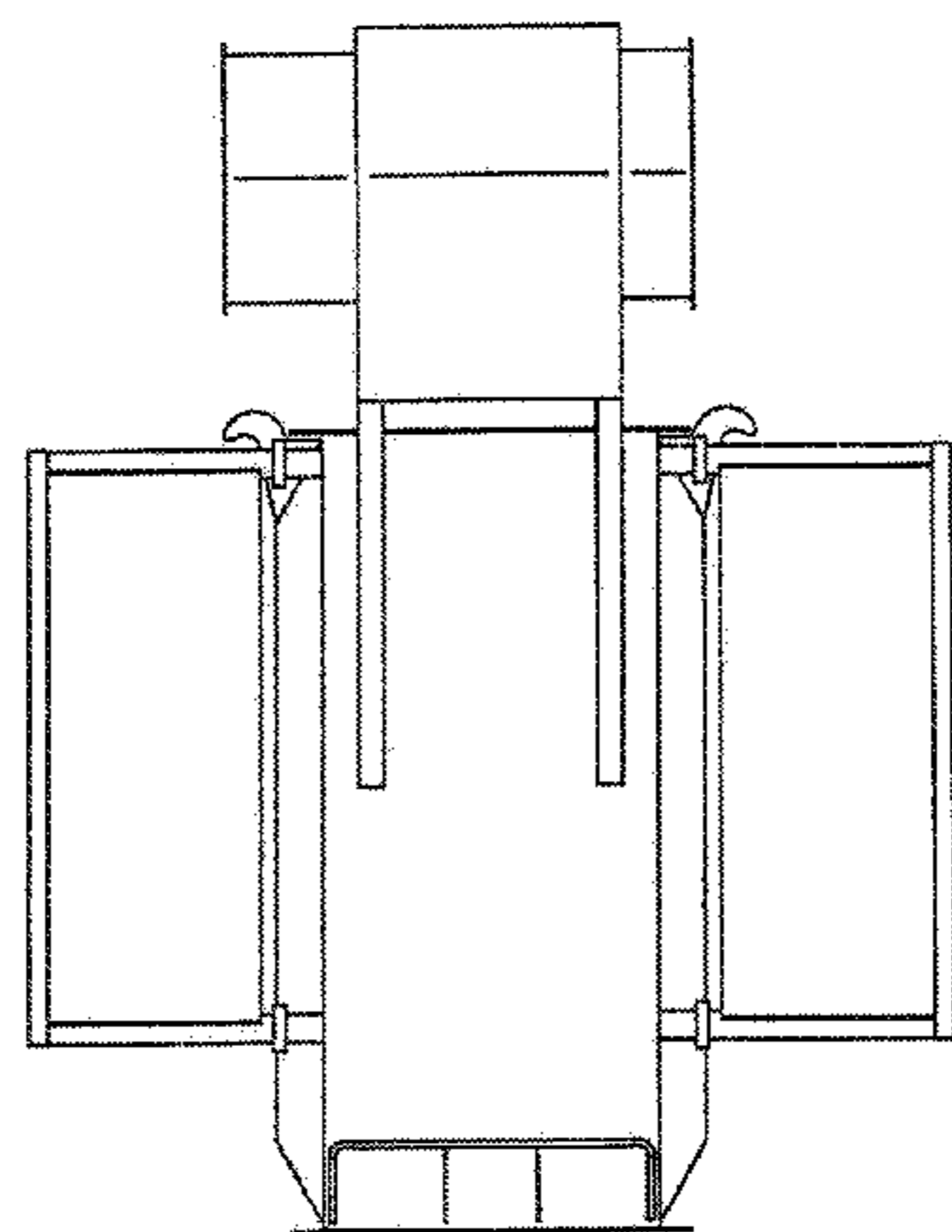
(57)

The ornamental design for an electrical transformer, as shown and described.

DESCRIPTION

- FIG. 1 is a front view of an electrical transformer showing our new design;
- FIG. 2 is a top view thereof;
- FIG. 3 is a side view thereof;
- FIG. 4 is a perspective view thereof;
- FIG. 5 is a front view of a second embodiment thereof;
- FIG. 6 is a top view thereof;
- FIG. 7 is a side view thereof;
- FIG. 8 is a perspective view thereof;
- FIG. 9 is a front view of a third embodiment thereof;
- FIG. 10 is a top view thereof;
- FIG. 11 is a side view thereof;
- FIG. 12 is a perspective view thereof;
- FIG. 13 is a front view of a fourth embodiment thereof;
- FIG. 14 is a top view thereof;
- FIG. 15 is a side view thereof; and,
- FIG. 16 is a perspective view thereof.

1 Claim, 12 Drawing Sheets



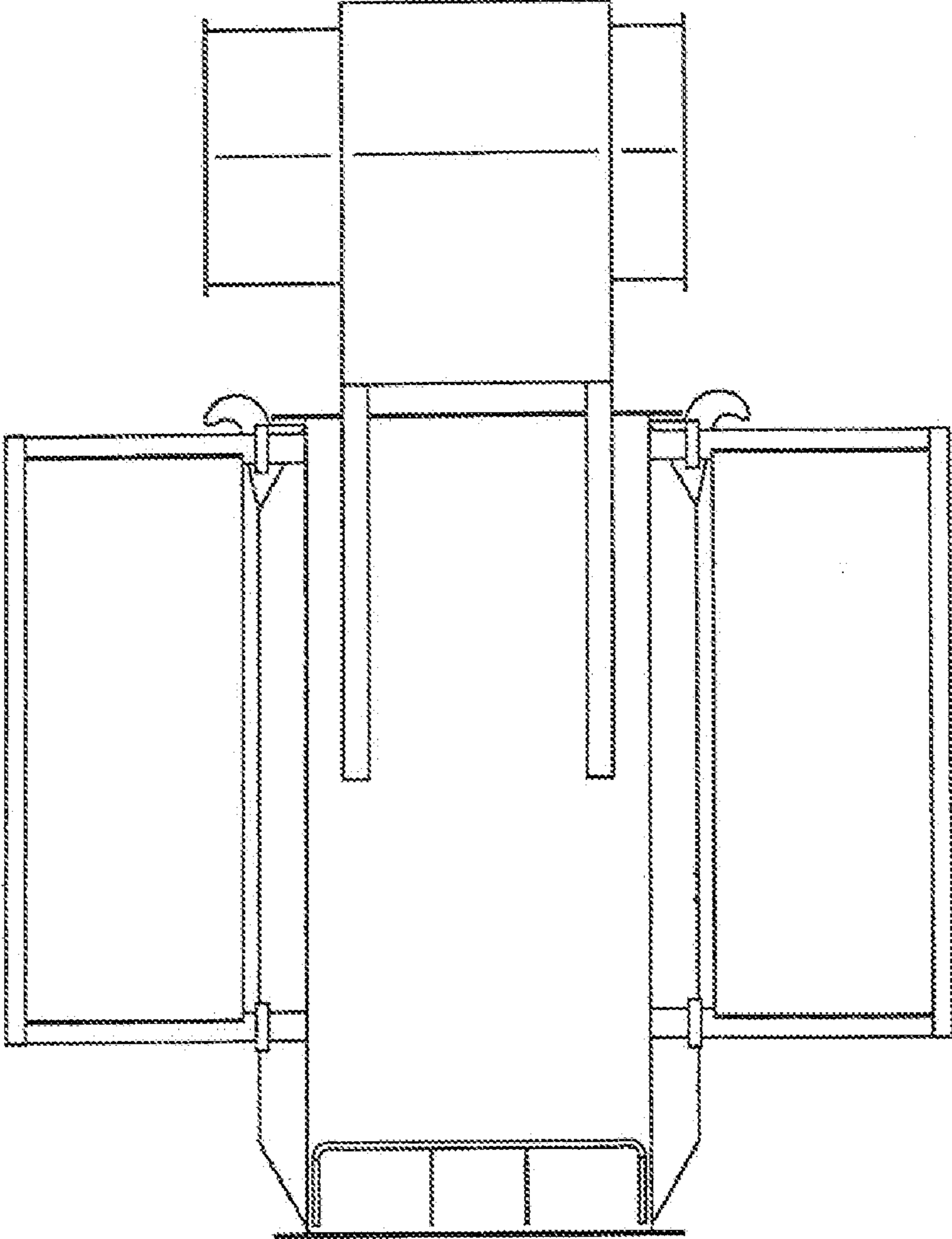


Fig. 1

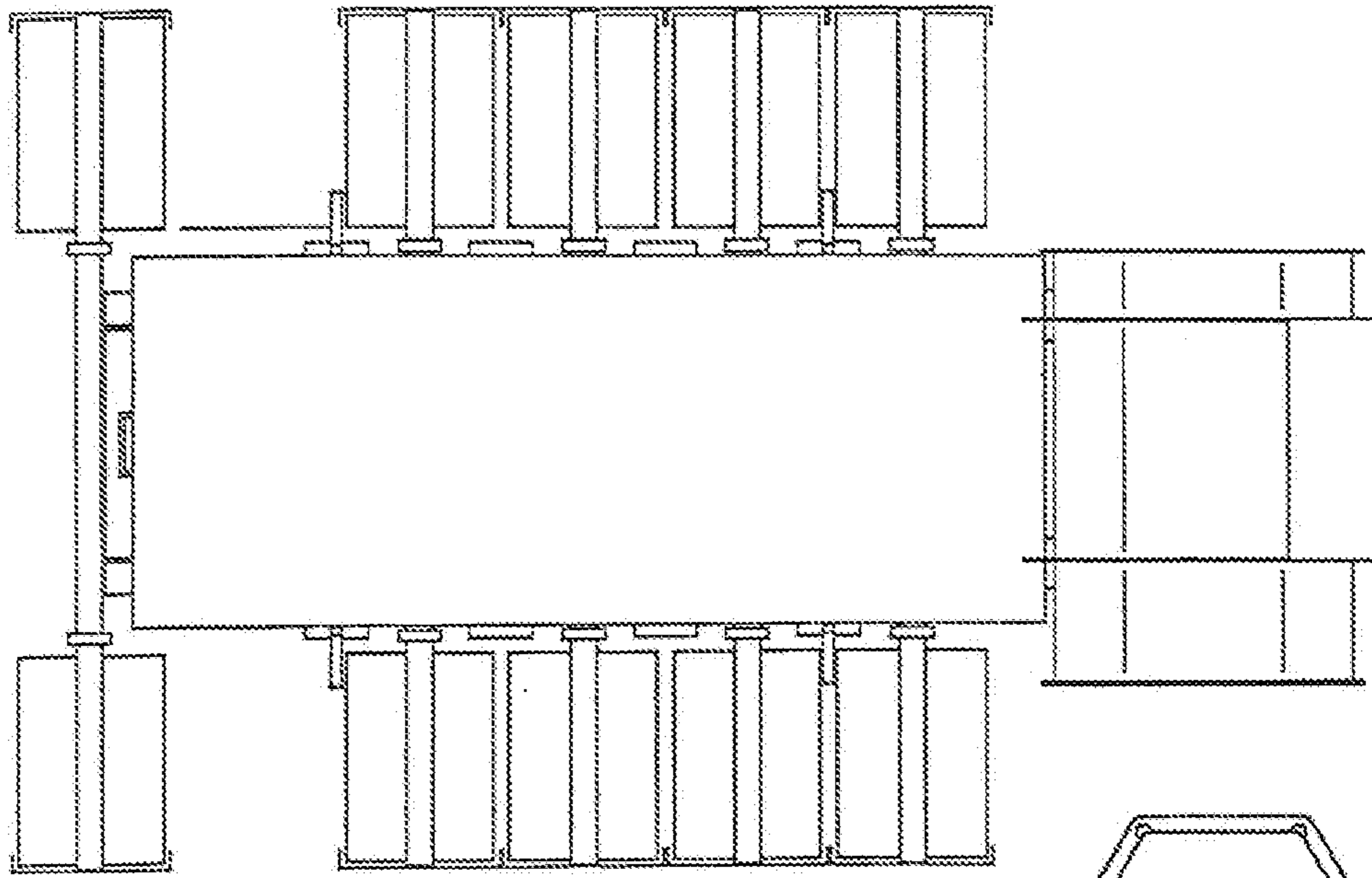


Fig. 2

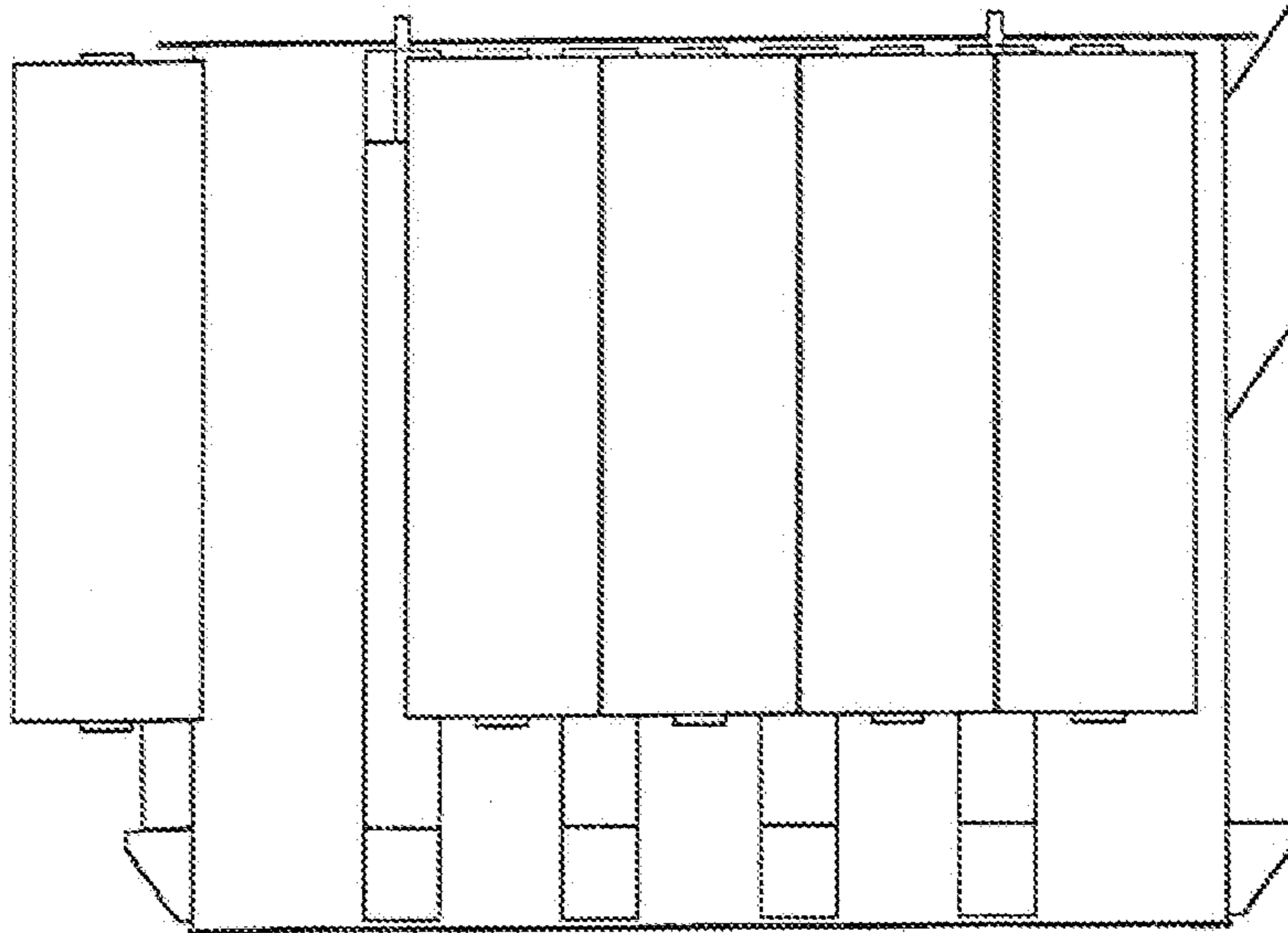


Fig. 3

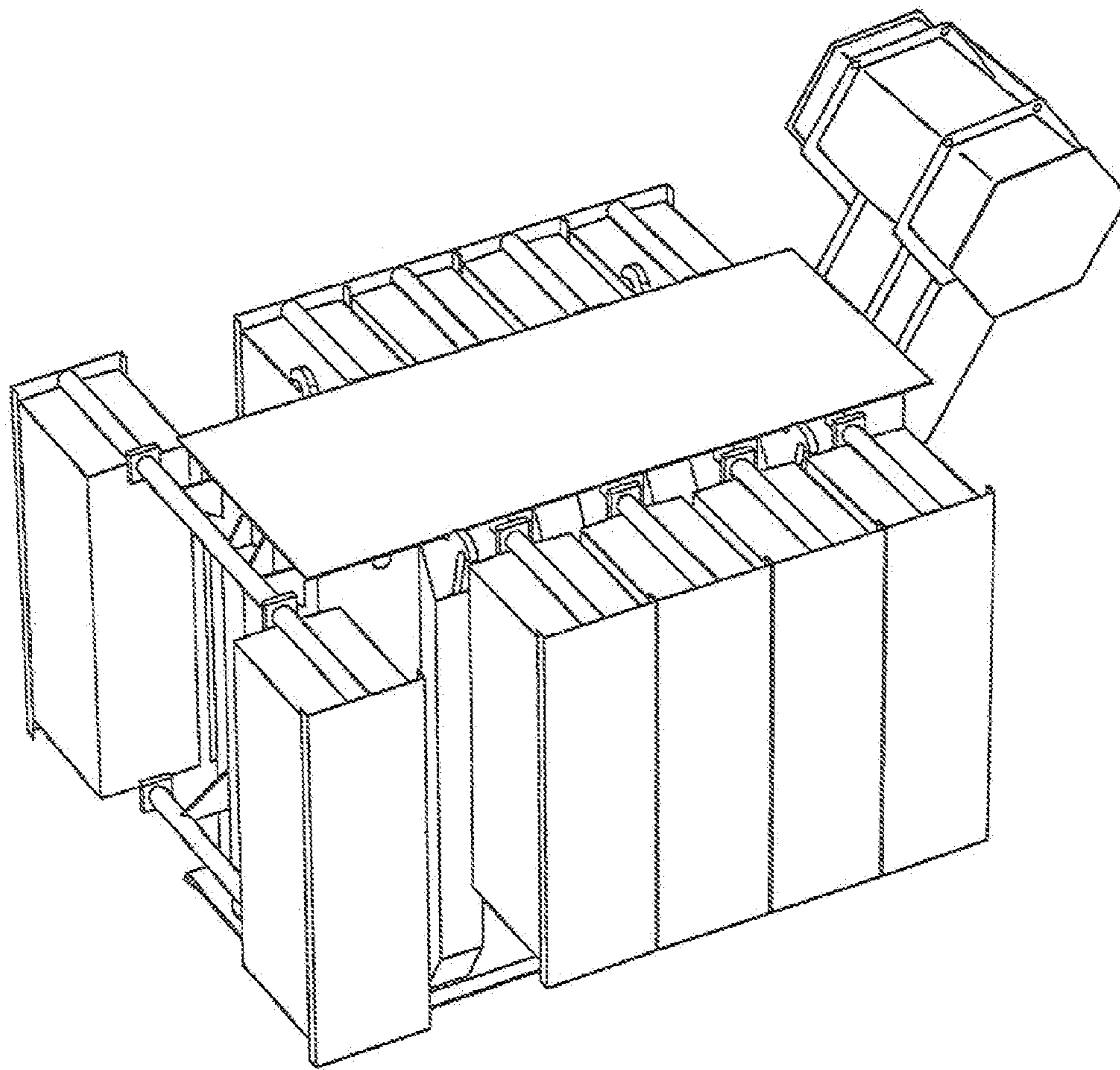


Fig. 4

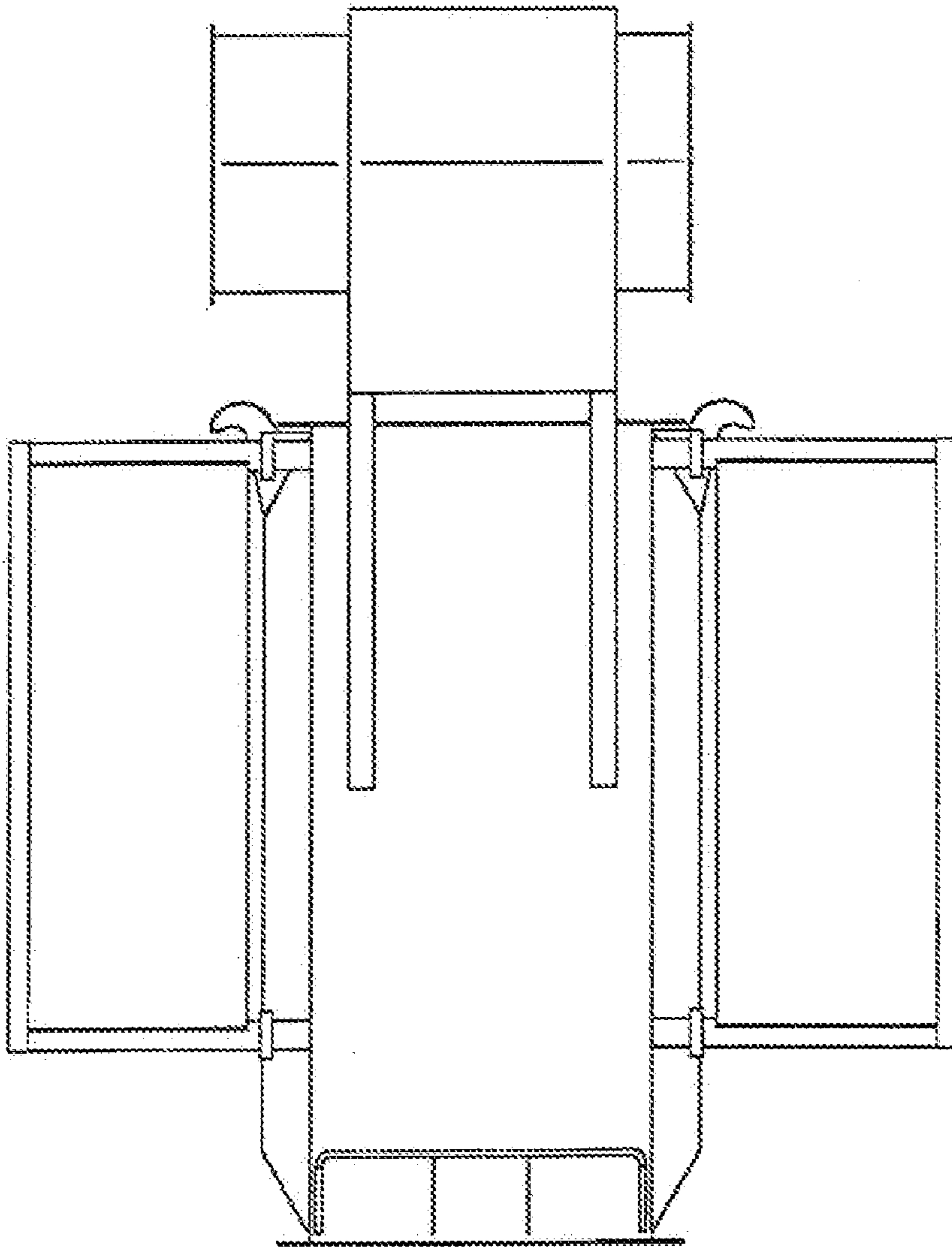


Fig. 5

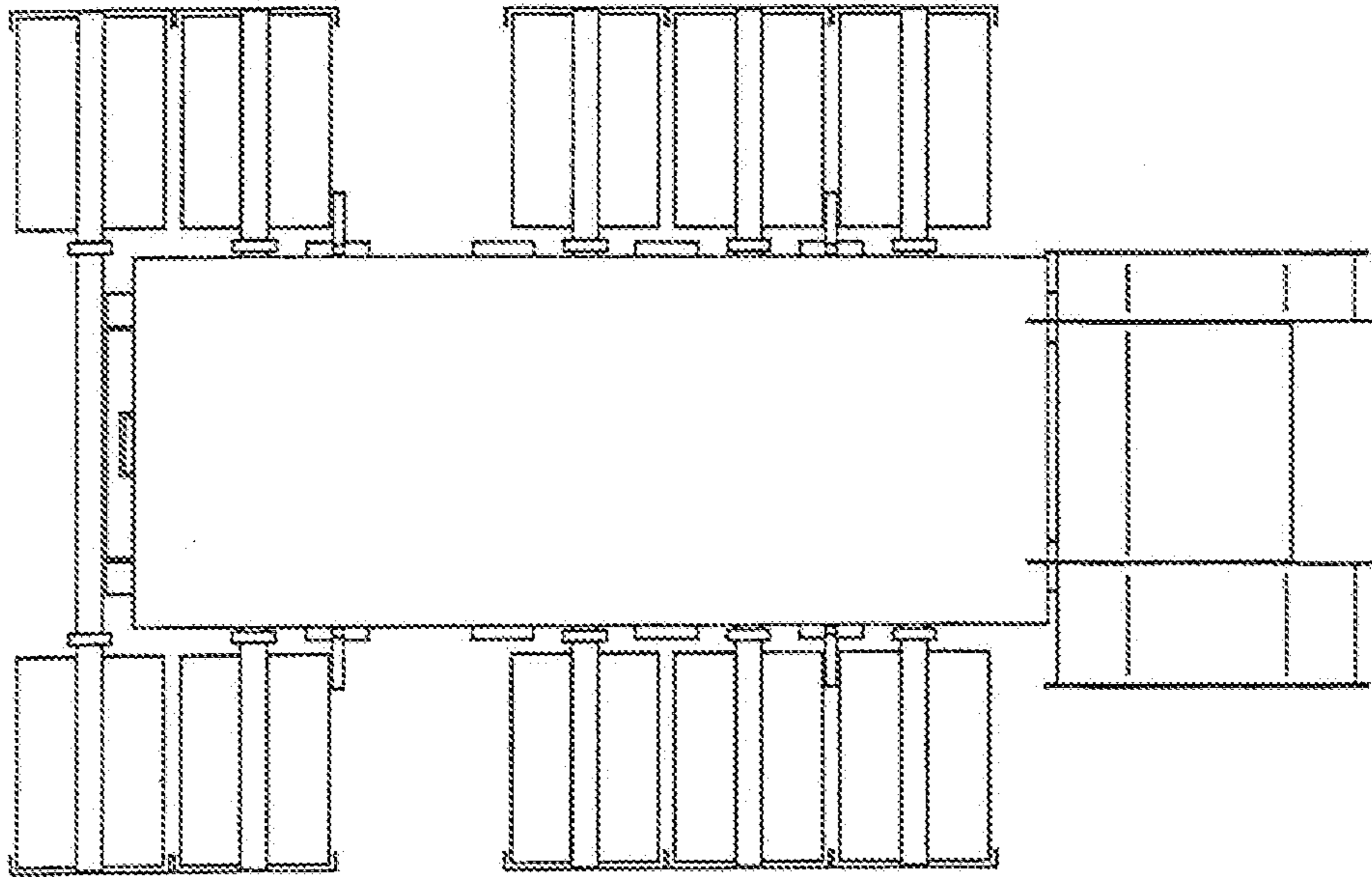


Fig. 6

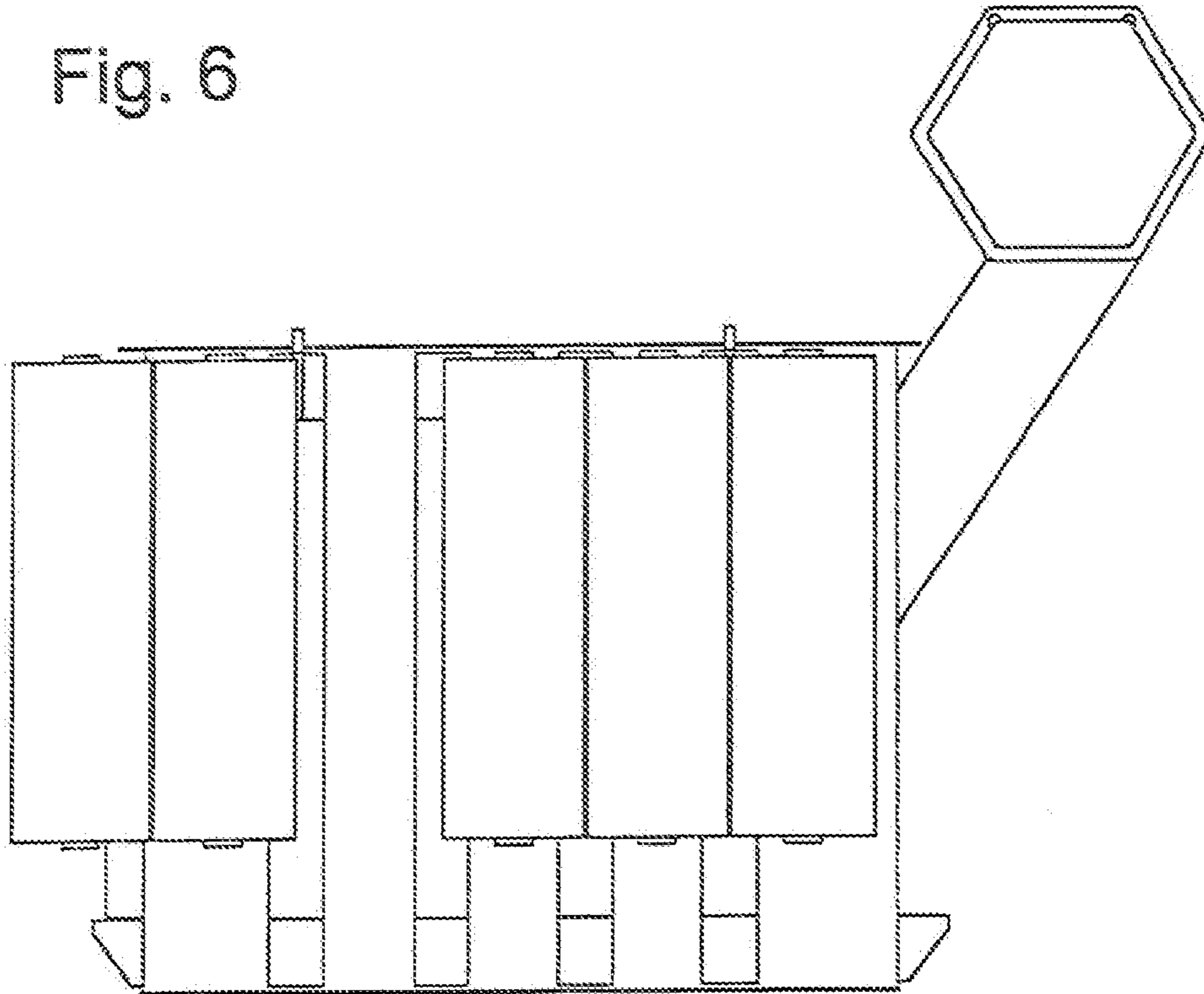


Fig. 7

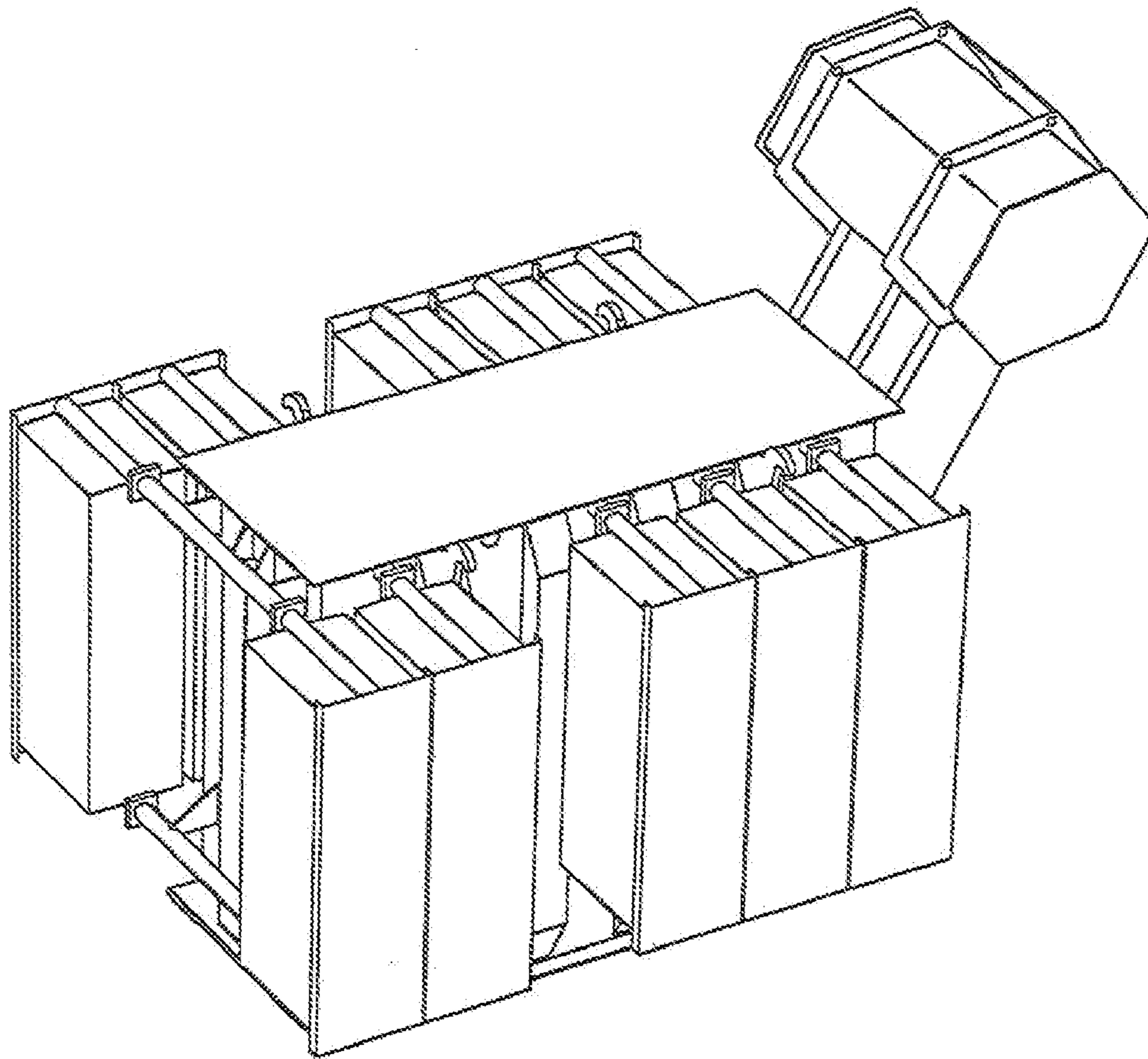


Fig. 8

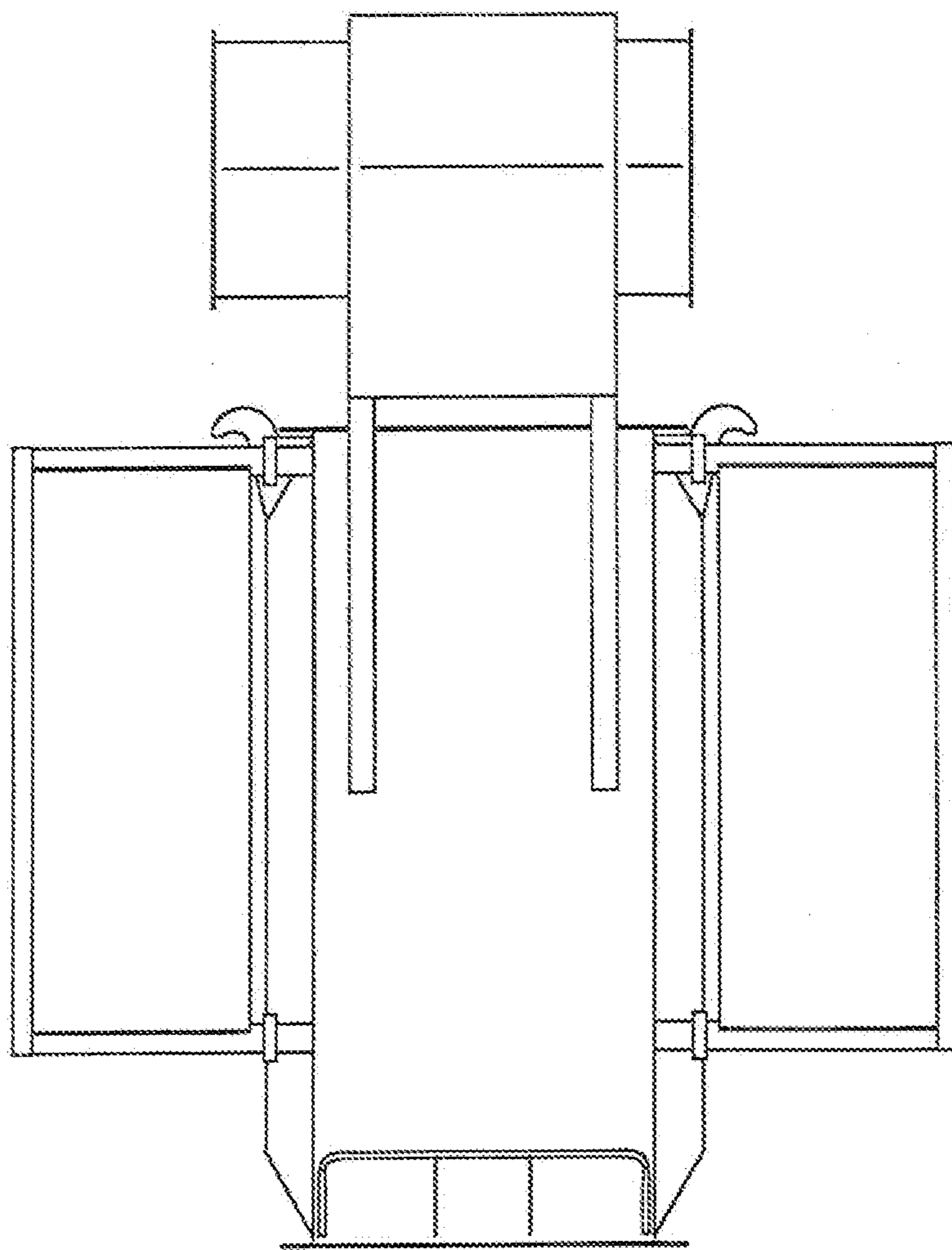


Fig. 9

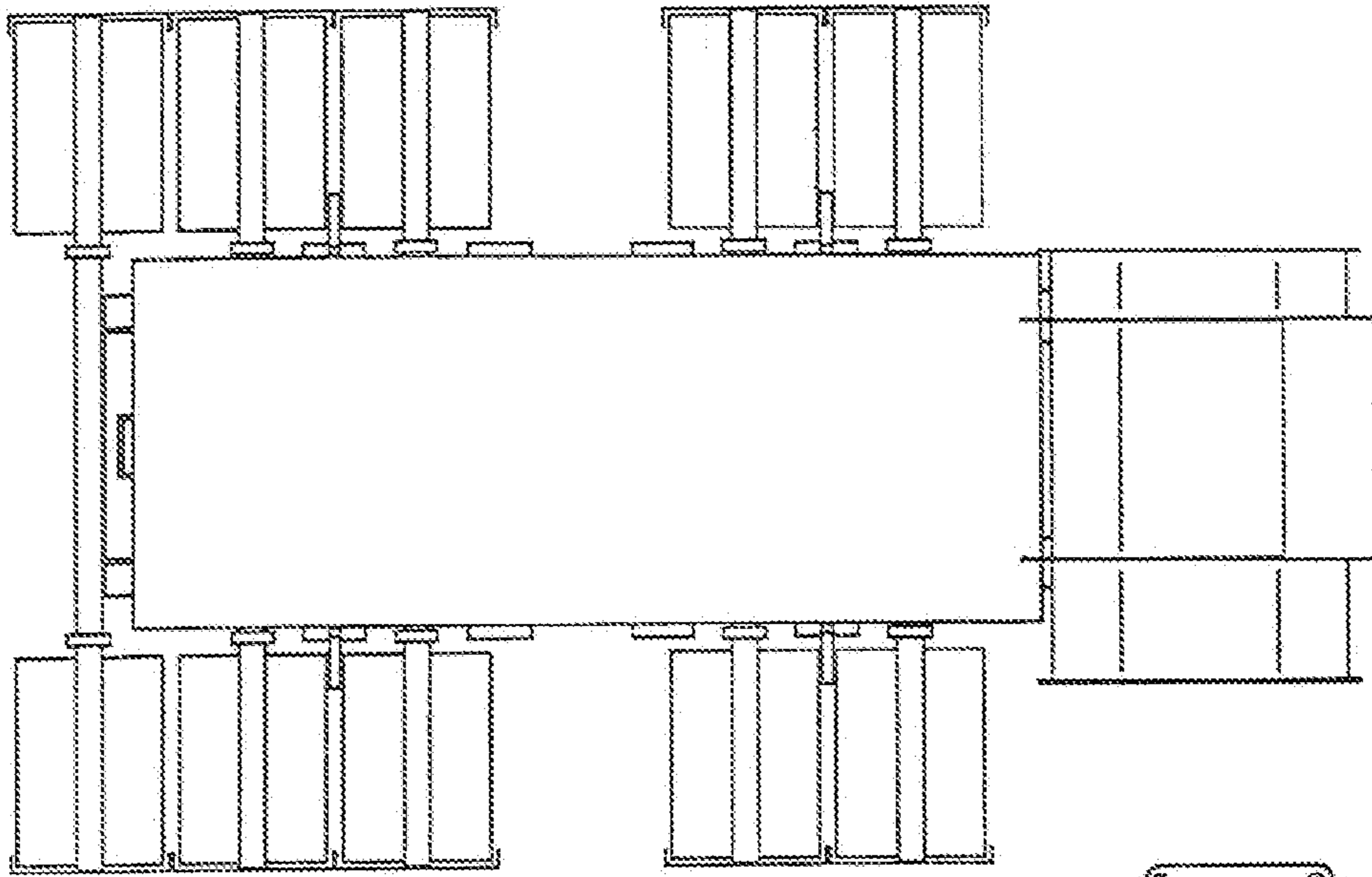


Fig. 10

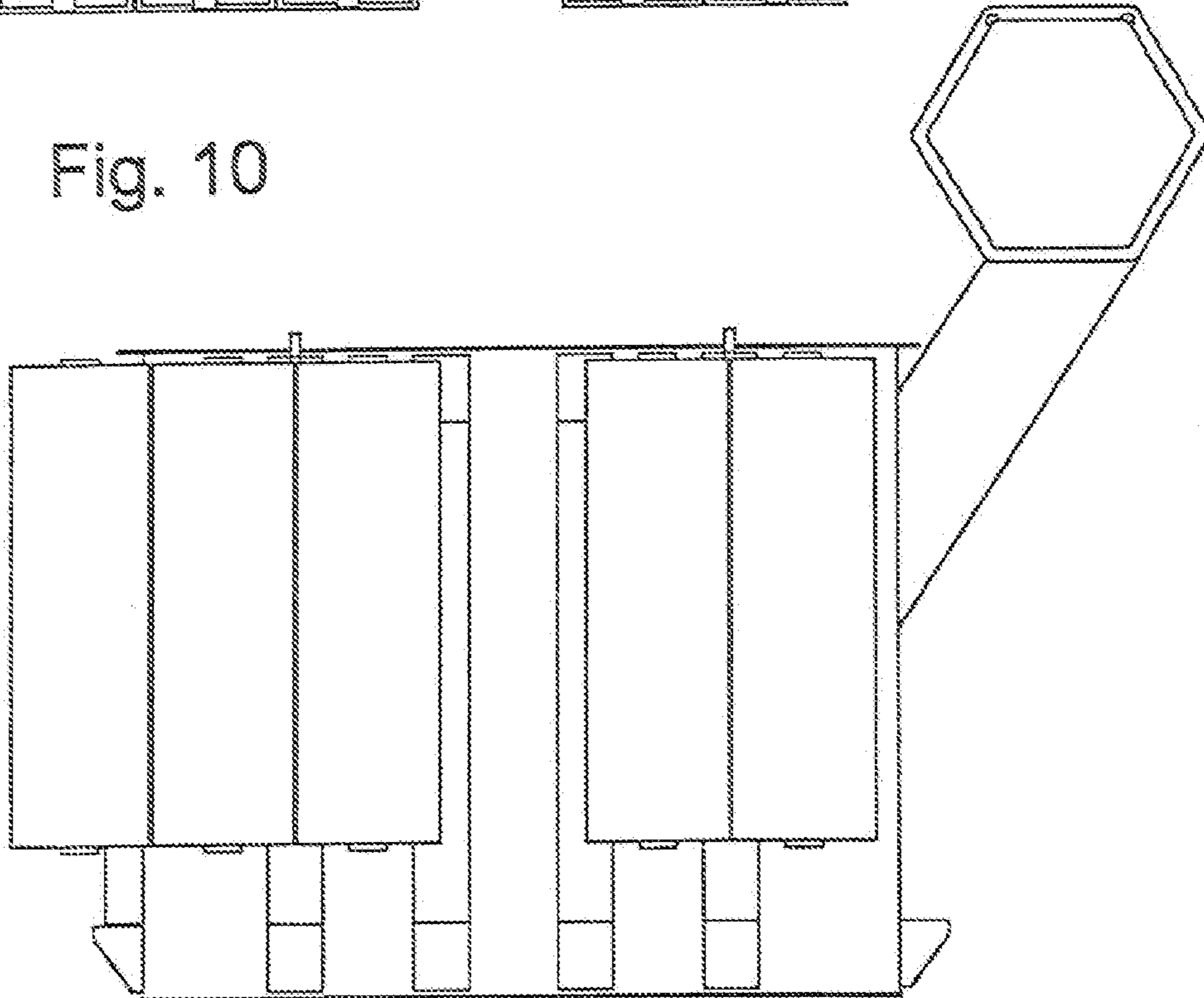


Fig. 11

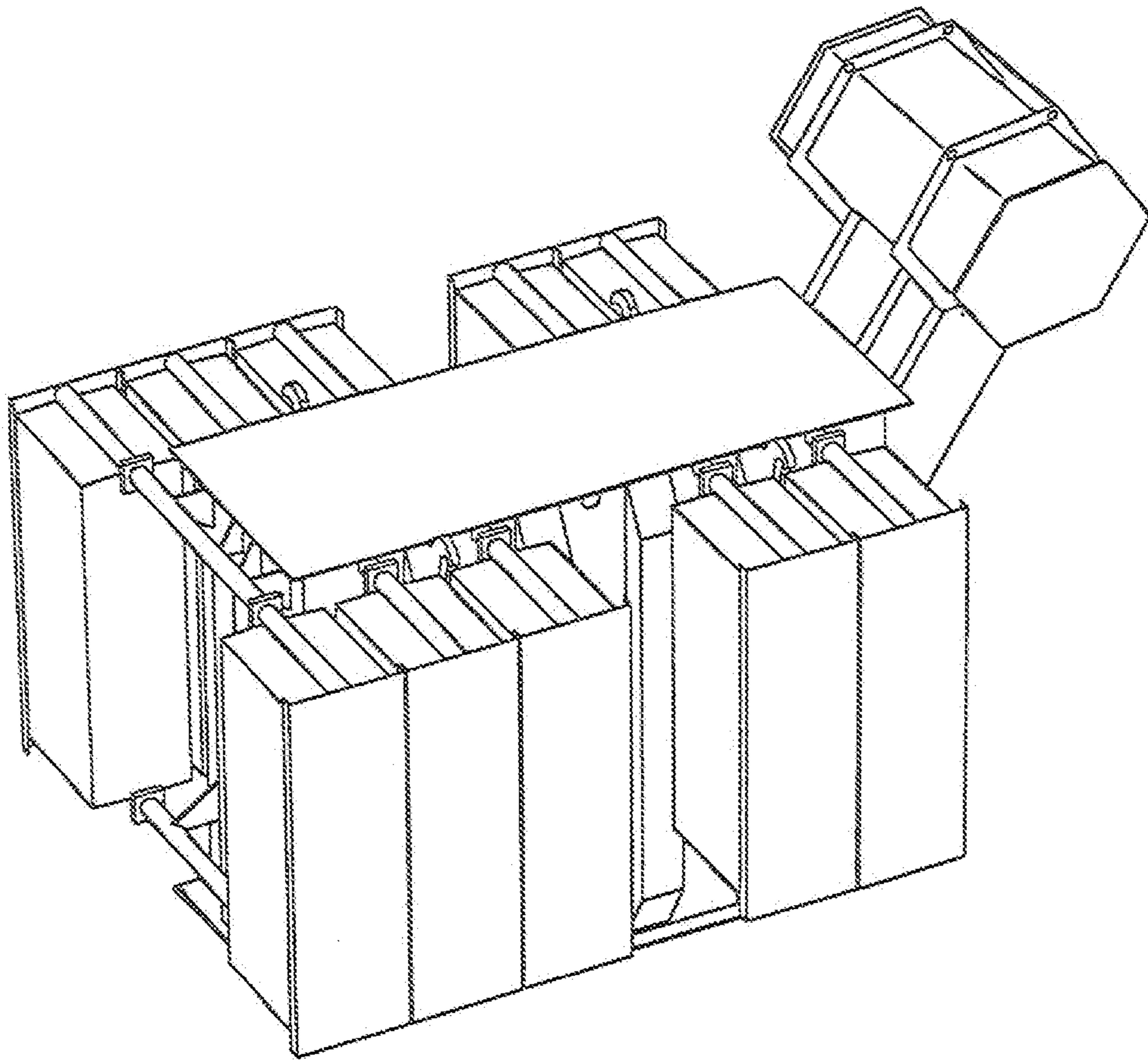


Fig. 12

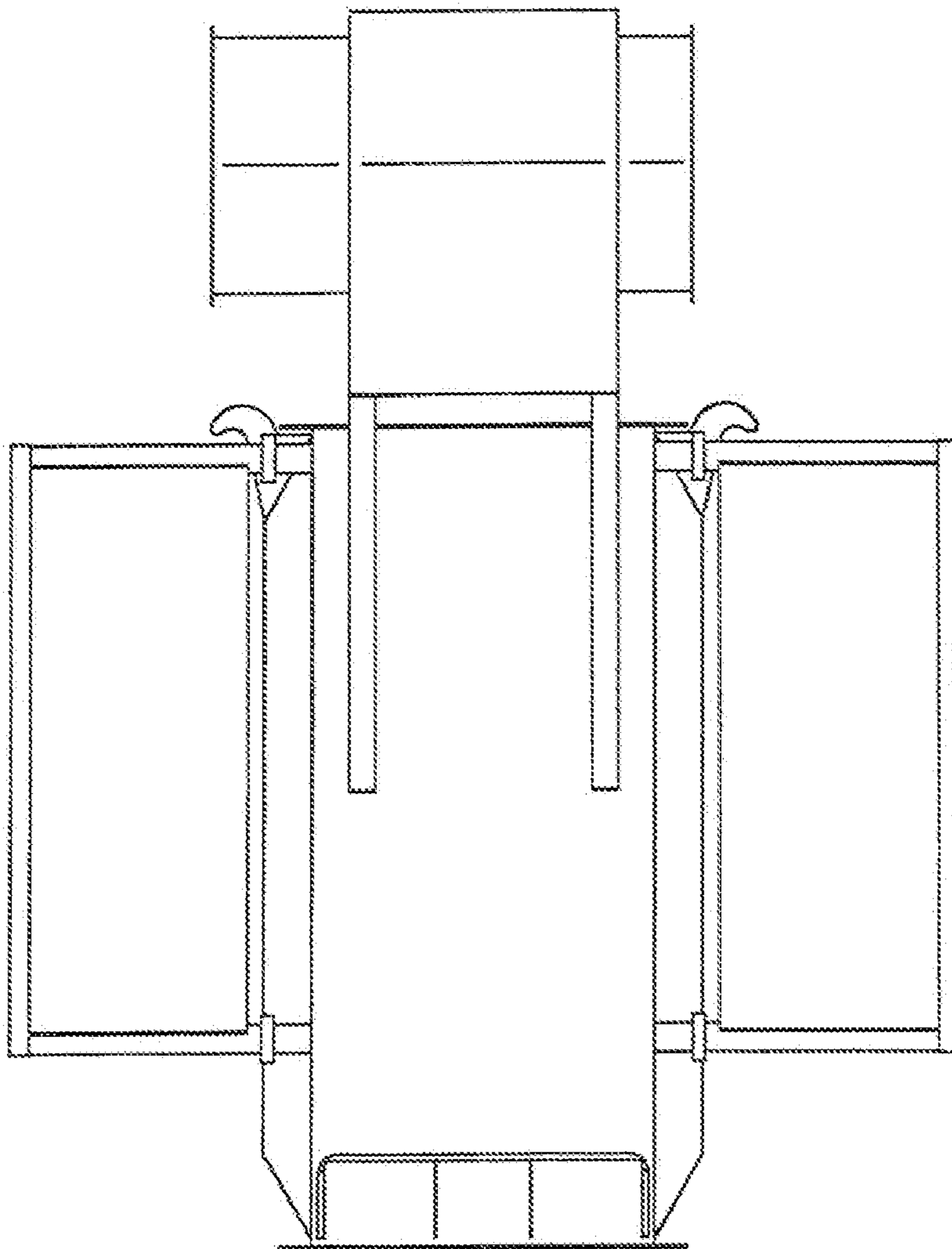


Fig. 13

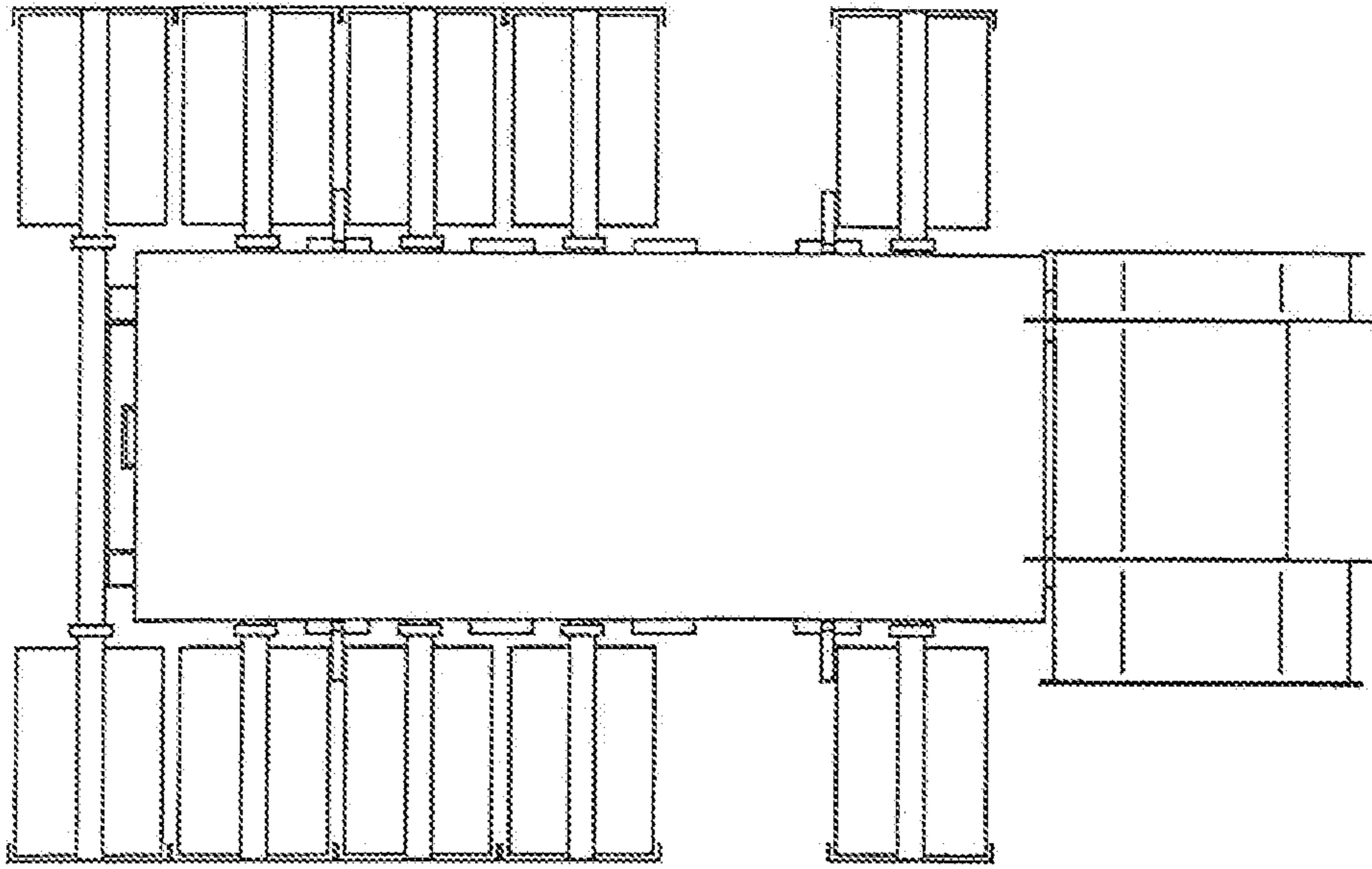


Fig. 14

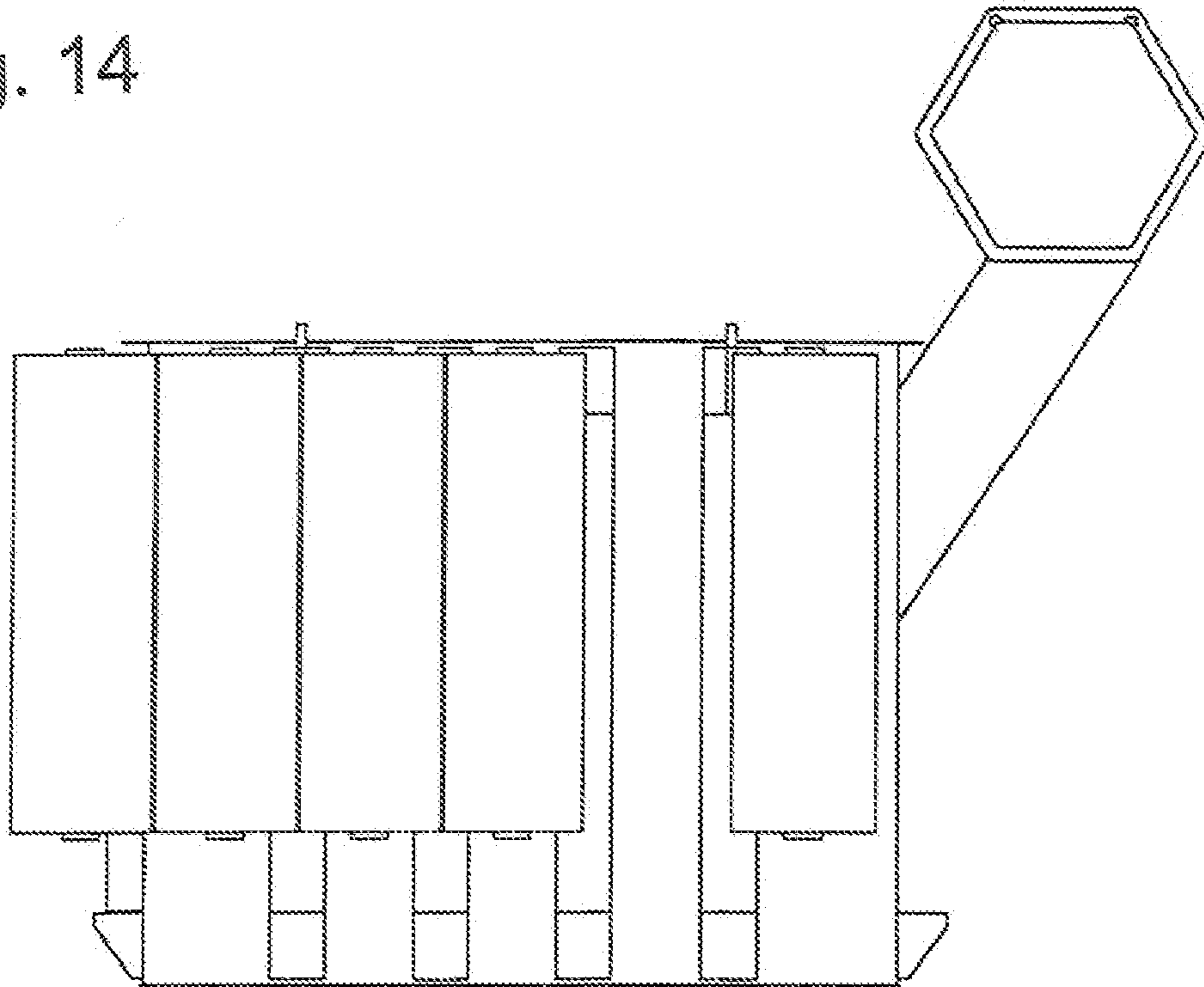


Fig. 15

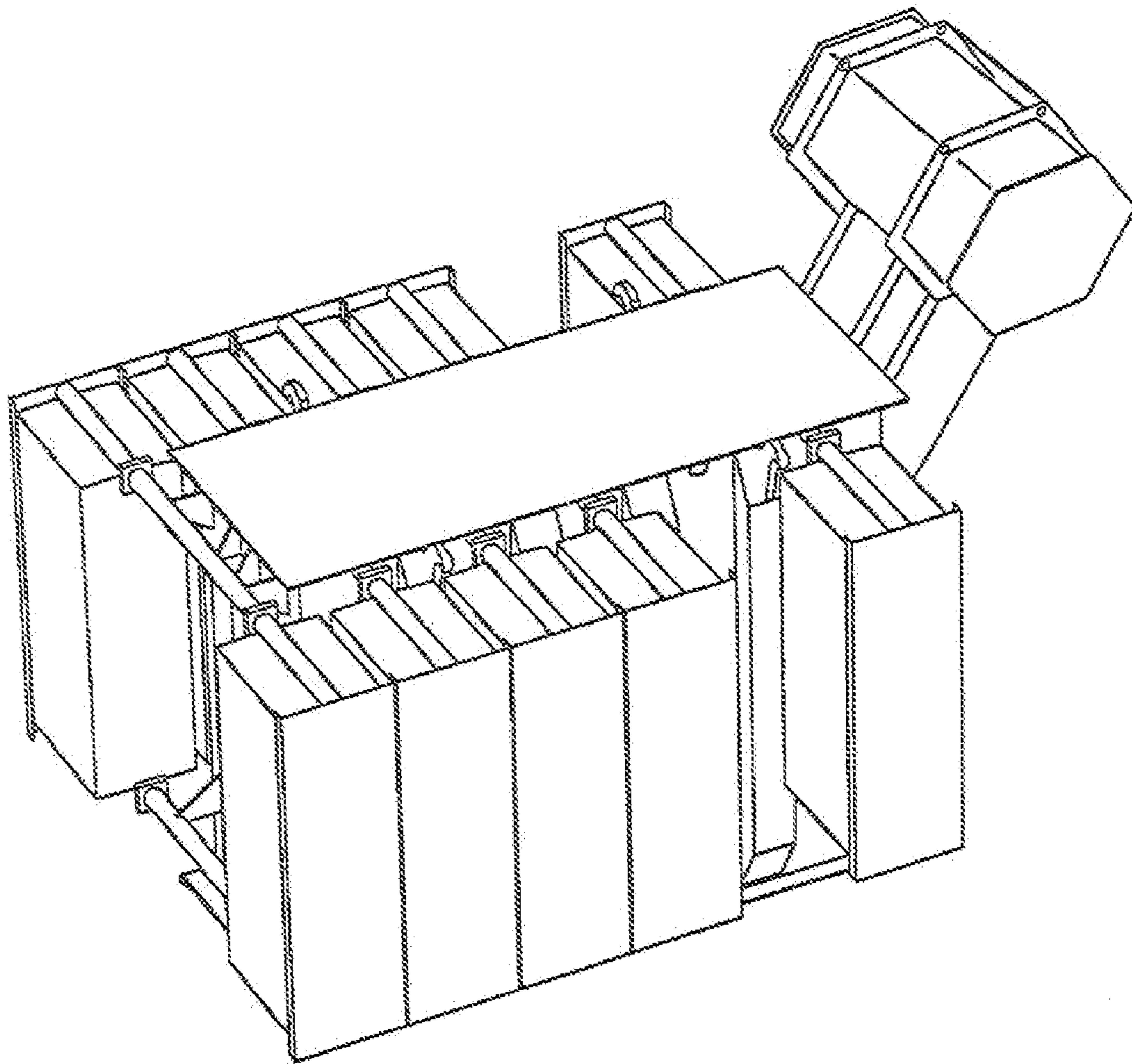


Fig. 16