



US00D570281S

(12) **United States Design Patent**
Blogg et al.

(10) **Patent No.:** **US D570,281 S**

(45) **Date of Patent:** **** Jun. 3, 2008**

(54) **DEVICE HOUSING**

(75) Inventors: **Trevor Blogg**, Christchurch (NZ);
Warren Gordon Pettigrew,
Christchurch (NZ)

(73) Assignee: **Raztec Limited**, Christchurch (NZ)

(**) Term: **14 Years**

(21) Appl. No.: **29/266,859**

(22) Filed: **Sep. 28, 2006**

(30) **Foreign Application Priority Data**

Apr. 21, 2006 (NZ) 407460

(51) **LOC (8) Cl.** **13-02**

(52) **U.S. Cl.** **D13/110; D13/101**

(58) **Field of Classification Search** D13/110,
D13/101, 184, 199; D7/397; D10/103; D14/222,
D14/229; 367/181; 381/174, 396, 398,
381/431

See application file for complete search history.

(56) **References Cited**

U.S. PATENT DOCUMENTS

D289,879 S * 5/1987 Stenbridge et al. D7/397
4,838,089 A * 6/1989 Okada et al. 73/727

D348,042 S * 6/1994 Cook et al. D13/101
6,169,810 B1 * 1/2001 van Halteren et al. 381/174
D458,173 S * 6/2002 Scanlon D10/103

* cited by examiner

Primary Examiner—Prabhakar Deshmukh

Assistant Examiner—Derrick Holland

(74) *Attorney, Agent, or Firm*—Blakely, Sokoloff, Taylor &
Zafman; Stephen M. De Klerk

(57) **CLAIM**

The ornamental design for a device housing, as shown.

DESCRIPTION

FIG. 1 is a top view of a device housing showing our new design;

FIG. 2 is a side view thereof;

FIG. 3 is a perspective view thereof;

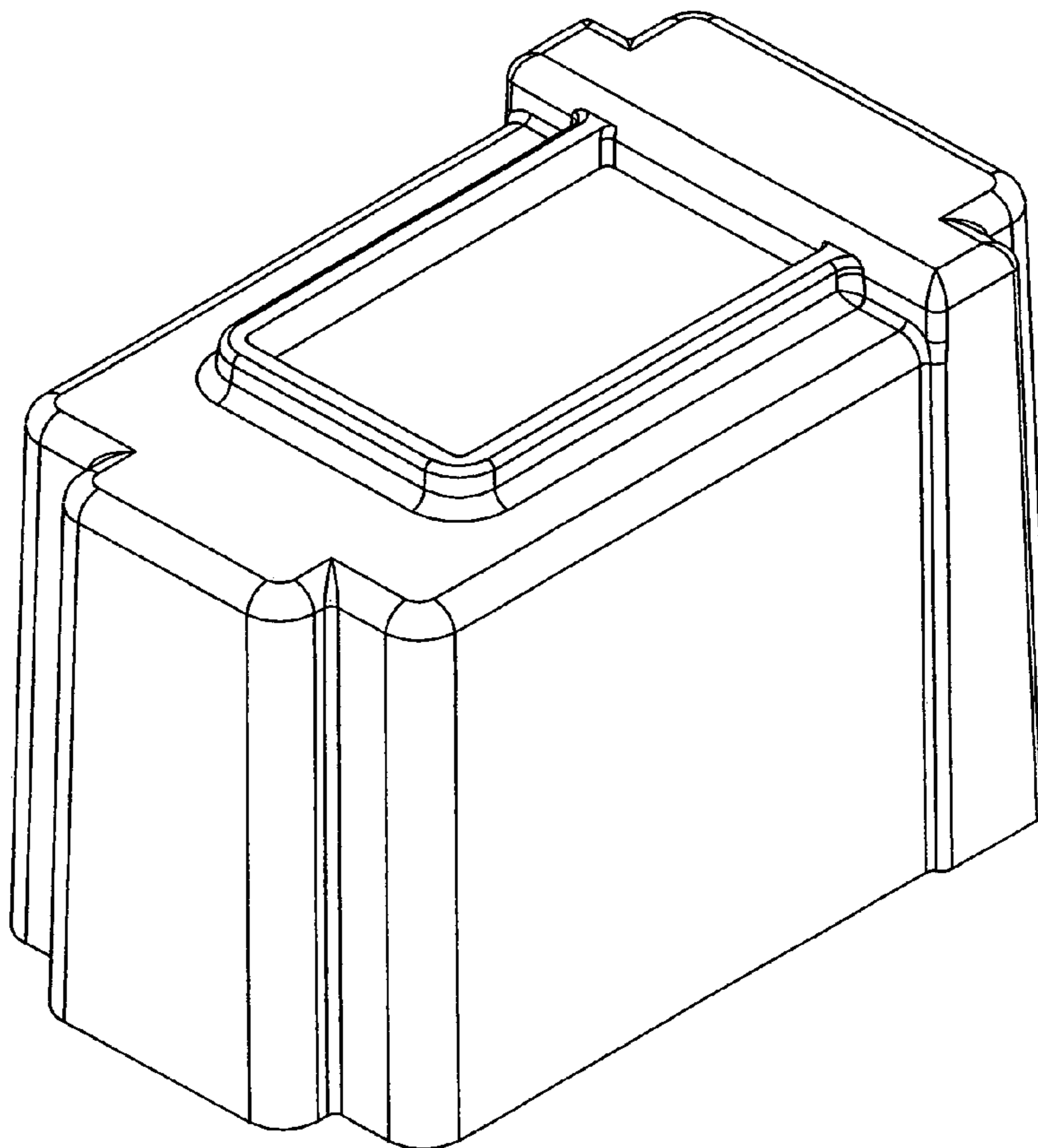
FIG. 4 is another perspective view thereof;

FIG. 5 is an end view from the left of the device housing as shown in FIG. 2;

FIG. 6 is an end view from the right of the device housing as shown in FIG. 2; and,

FIG. 7 is a bottom view thereof.

1 Claim, 7 Drawing Sheets



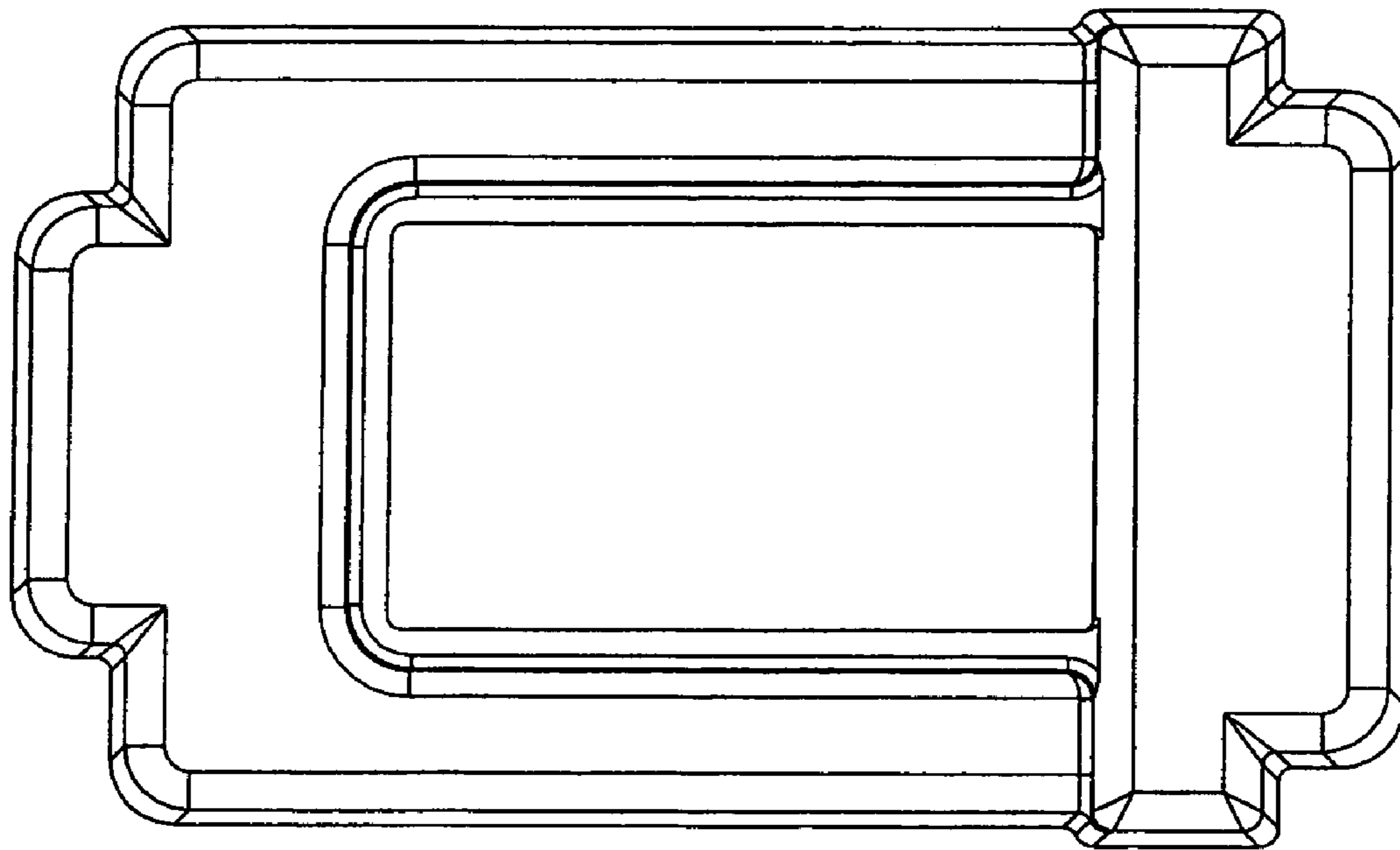


Fig. 1

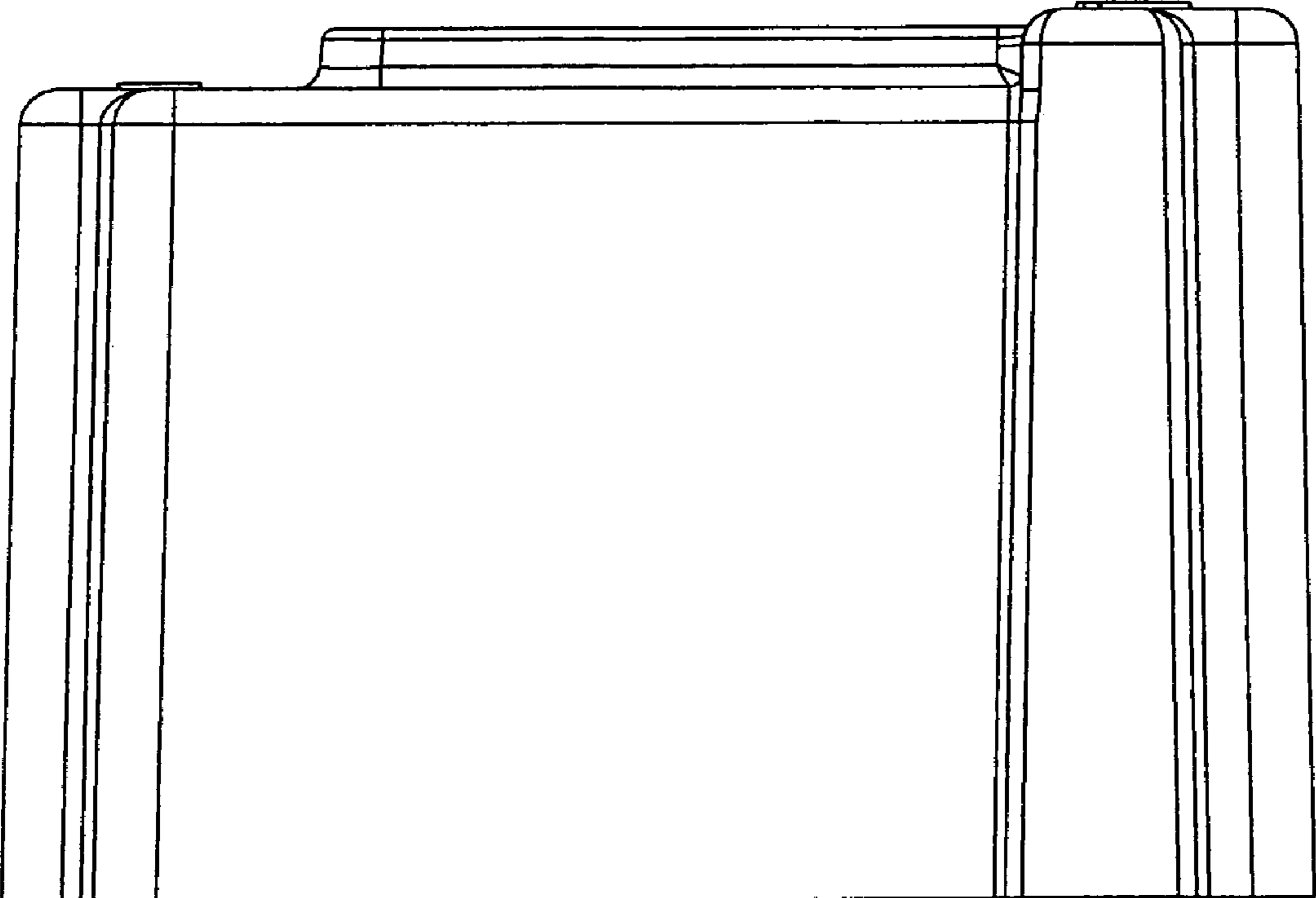


Fig. 2

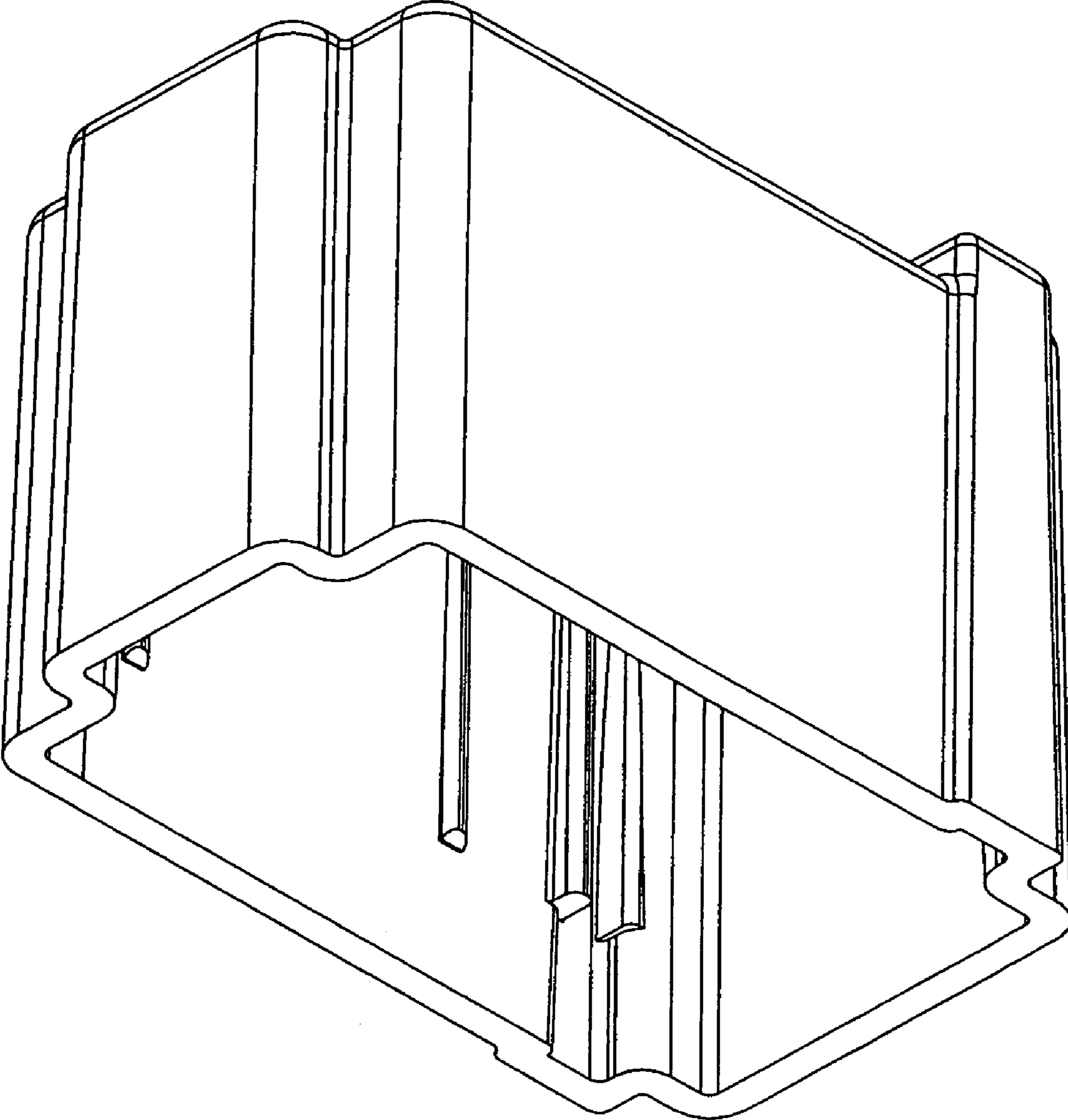


Fig. 3

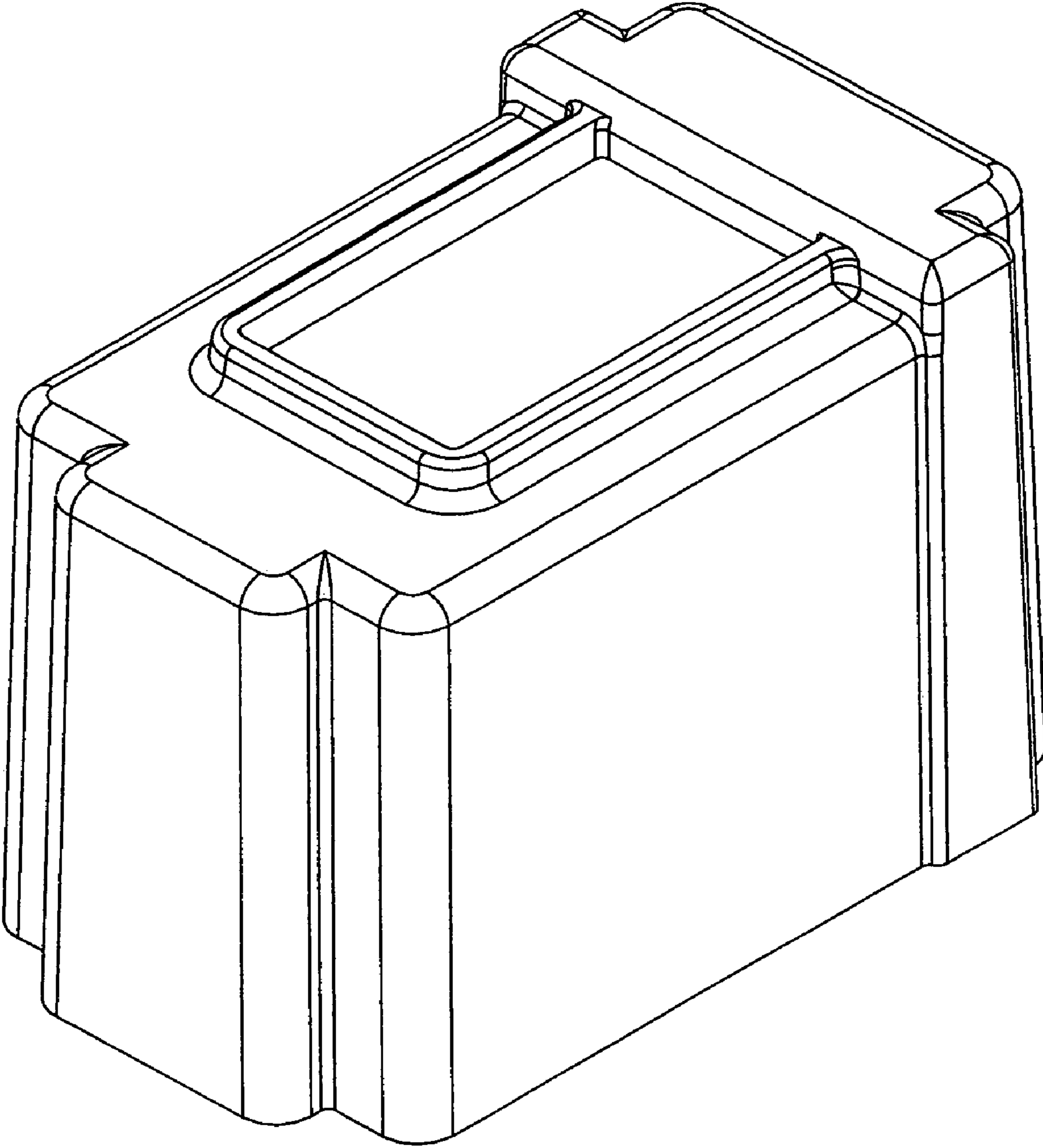


Fig. 4

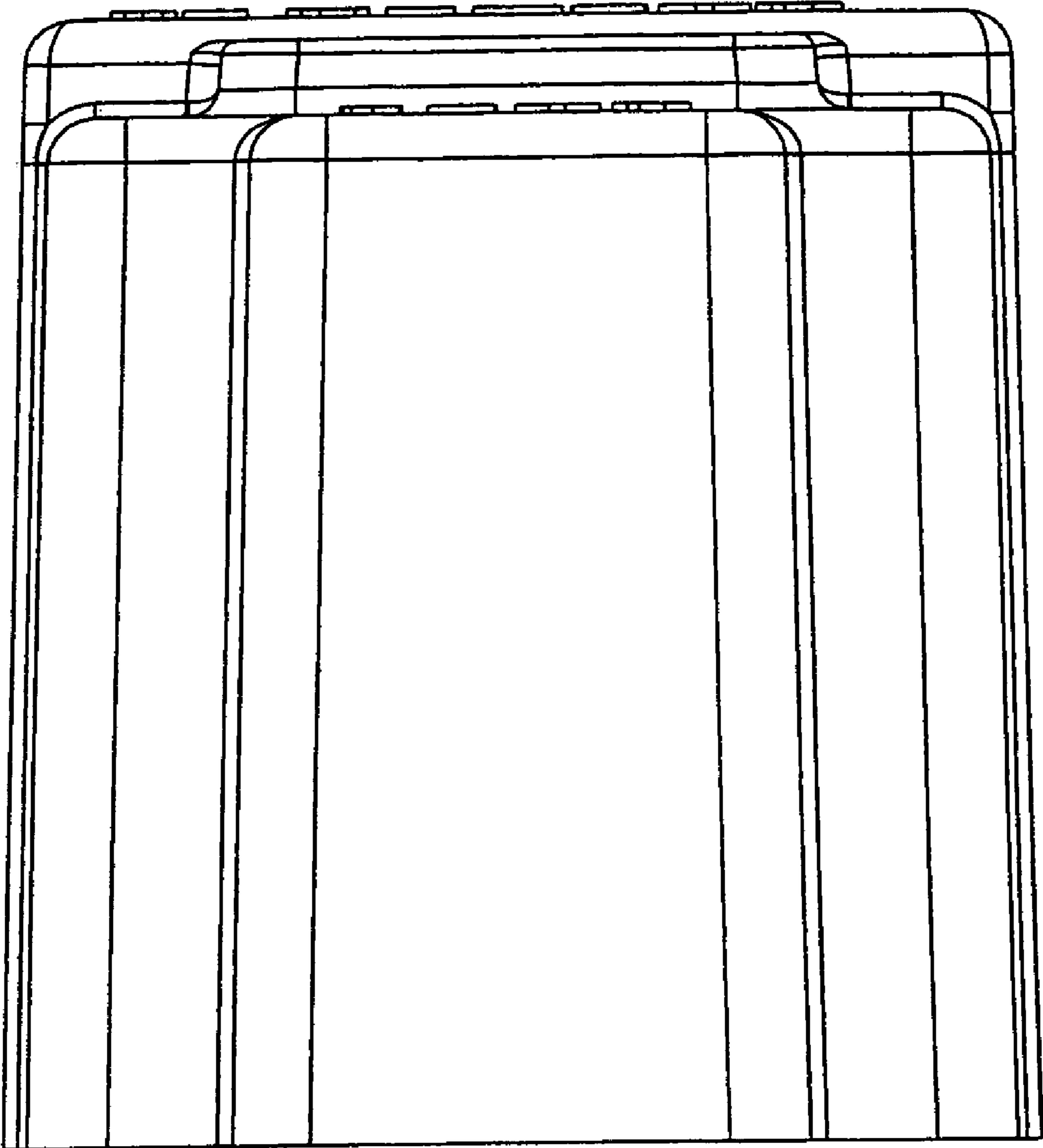


Fig. 5

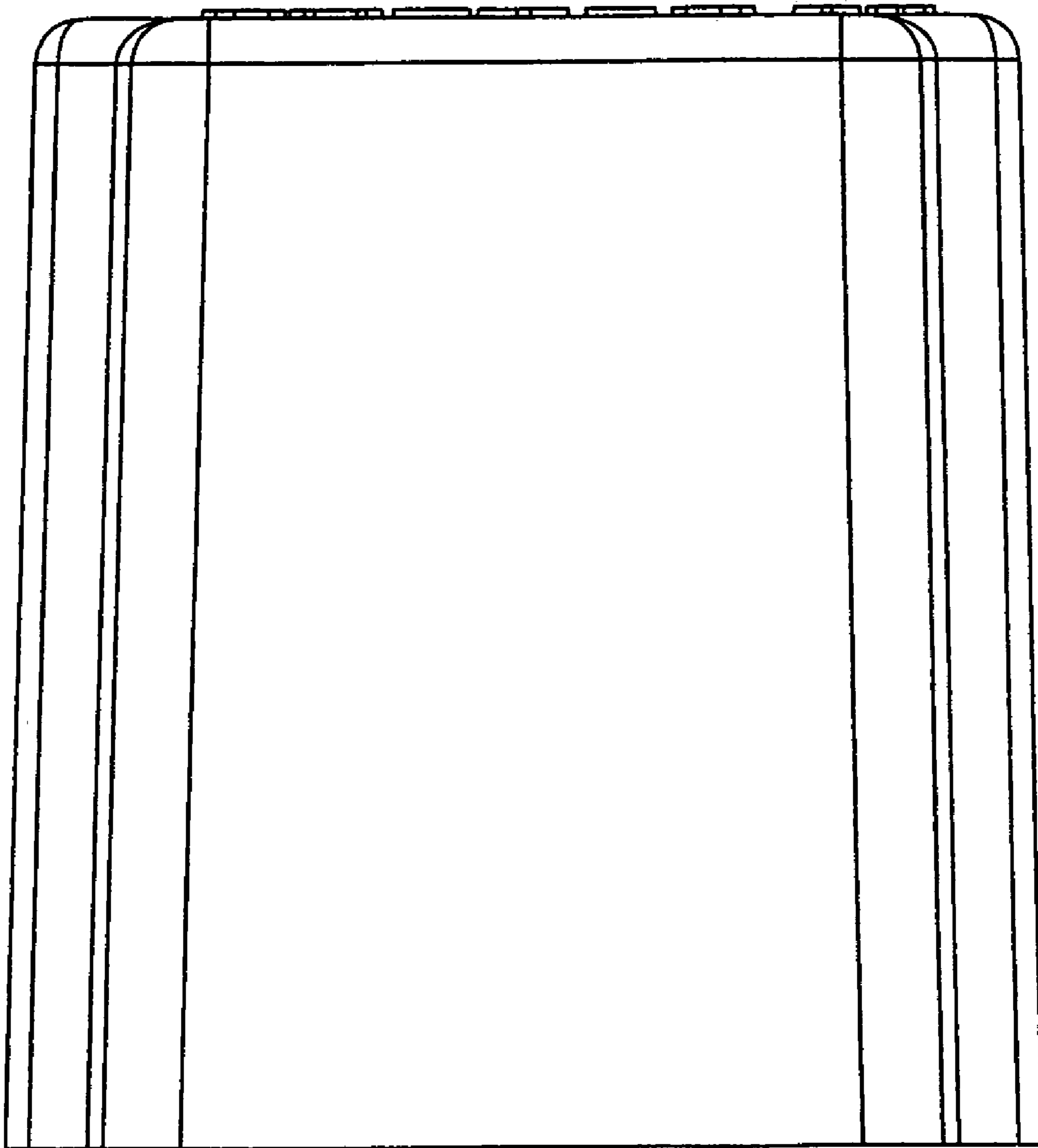


Fig. 6

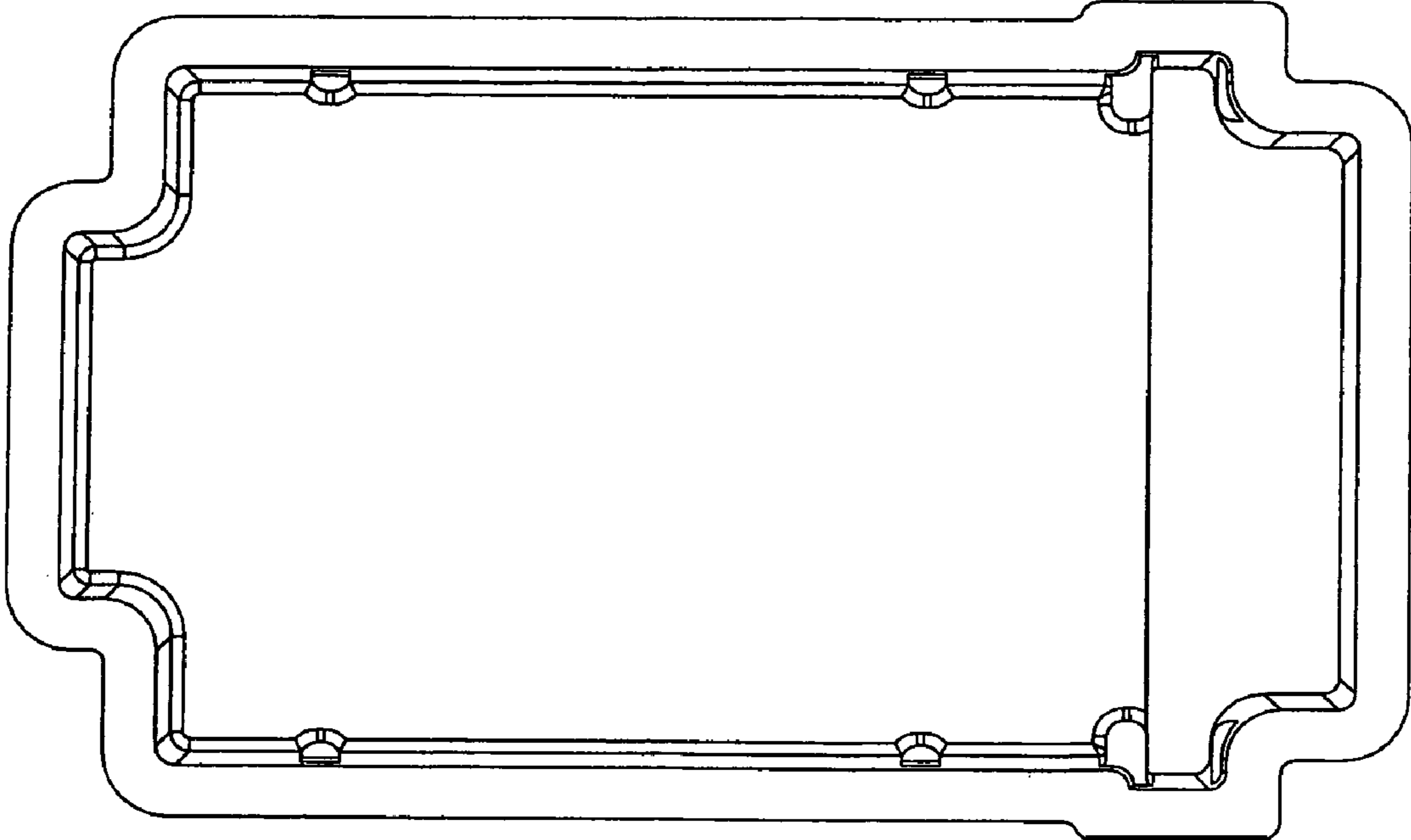


Fig. 7