



US00D570277S

(12) **United States Design Patent**
Jackson

(10) **Patent No.:** **US D570,277 S**
(45) **Date of Patent:** **** Jun. 3, 2008**

(54) **CRUISE SHIP**

(57) **CLAIM**

(76) Inventor: **Randall B. Jackson**, 4145 E. Baseline Rd., Gilbert, AZ (US) 85234

The ornamental design for a cruise ship, as shown and described.

(**) Term: **14 Years**

DESCRIPTION

(21) Appl. No.: **29/265,283**

FIG. 1 is a perspective view of a cruise ship according to my new design;

(22) Filed: **Aug. 28, 2006**

FIG. 2 is a top plan view of the cruise ship shown in FIG. 1;

(51) **LOC (8) Cl.** **12-06**

FIG. 3 is a side elevational view of the cruise ship shown in FIG. 1, the opposite side being a mirror image thereof;

(52) **U.S. Cl.** **D12/300**

(58) **Field of Classification Search** D12/300, D12/303, 304, 310, 315, 317, 318; 114/343, 114/355, 71, 364; 440/69; D21/542
See application file for complete search history.

FIG. 4 is a bottom plan view of the cruise ship shown in FIG. 1;

(56) **References Cited**

FIG. 5 is a front elevational view of the cruise ship shown in FIG. 1;

U.S. PATENT DOCUMENTS

FIG. 6 is a rear elevational view of the cruise ship shown in FIG. 1;

D277,881 S *	3/1985	Effler et al.	D21/542
D319,619 S *	9/1991	Kotzebue	D12/315
D319,621 S *	9/1991	Kotzebue	D12/318
D326,638 S *	6/1992	Farrell	D12/318
D357,893 S *	5/1995	Blount	D12/315

FIG. 7 is a cross-sectional view of the cruise ship taken along lines 7—7 as seen in FIG. 3;

* cited by examiner

FIG. 8 is a cross-sectional view of the cruise ship taken along lines 8—8 as seen in FIG. 3;

Primary Examiner—Holly H. Baynham

Assistant Examiner—Cynthia Chin

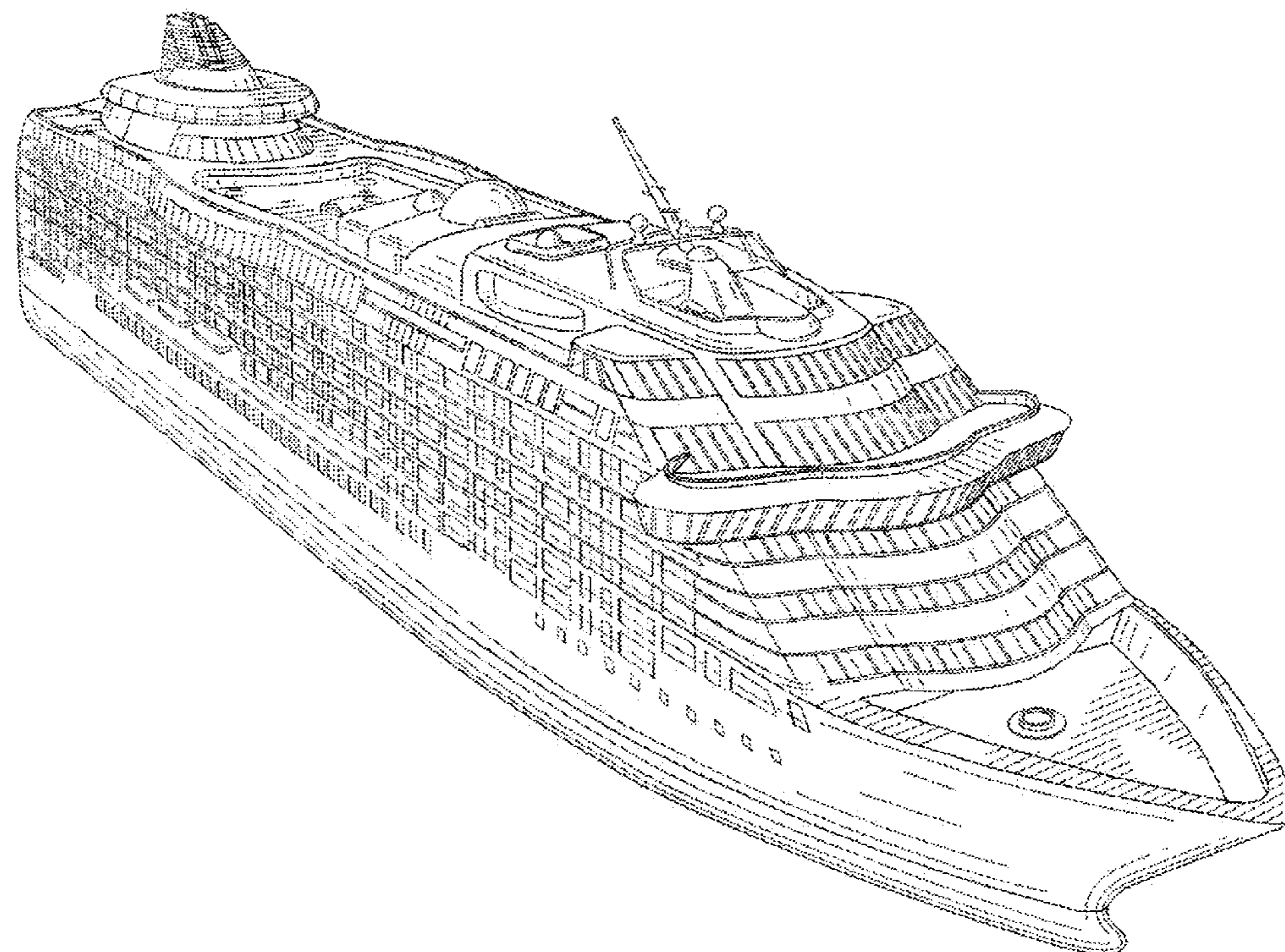
(74) *Attorney, Agent, or Firm*—Holland & Hart LLP

FIG. 9 is a cross-sectional view of the cruise ship taken along lines 9—9 as seen in FIG. 3;

FIG. 10 is a partial perspective view of the rear and top of the cruise ship showing a helicopter pad; and,

FIG. 11 is a partial perspective view of the rear waterline of the cruise ship, showing a marina.

1 Claim, 6 Drawing Sheets



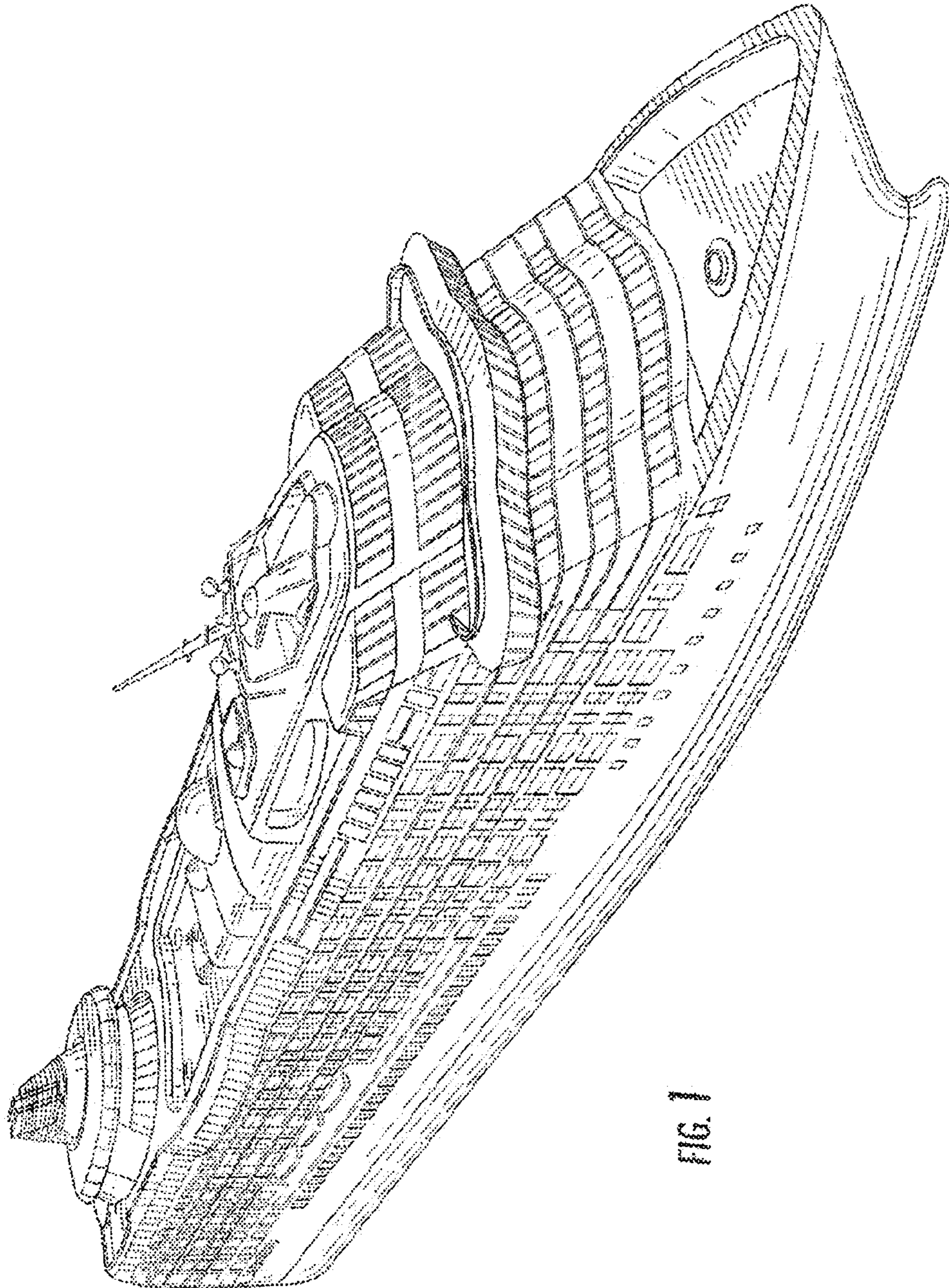


FIG. 1

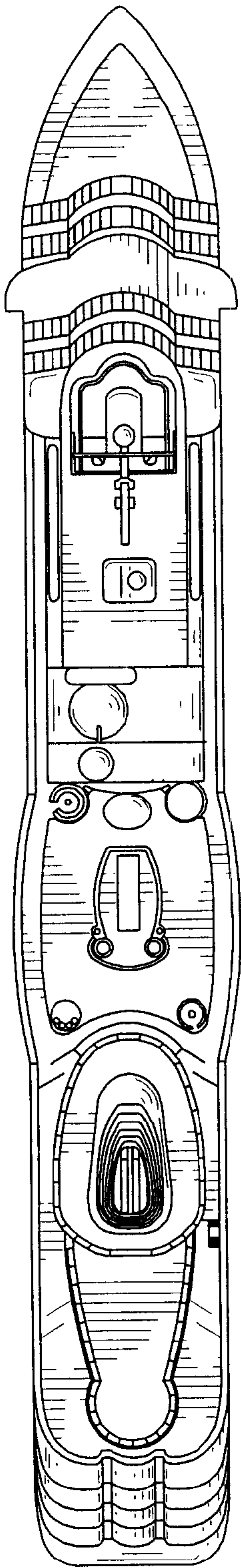


FIG. 2

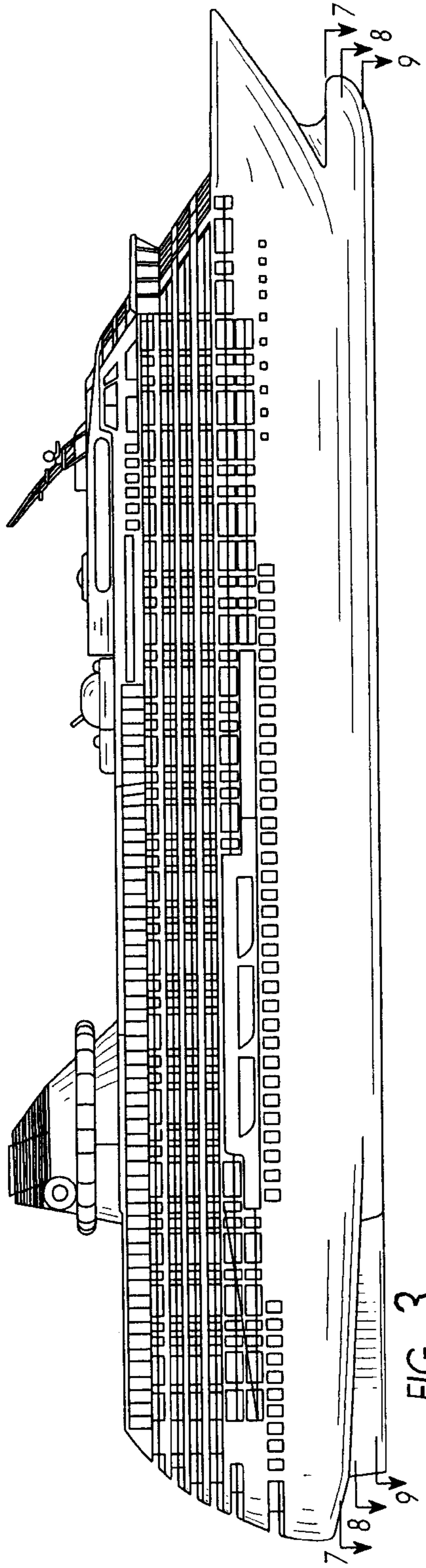


FIG. 3

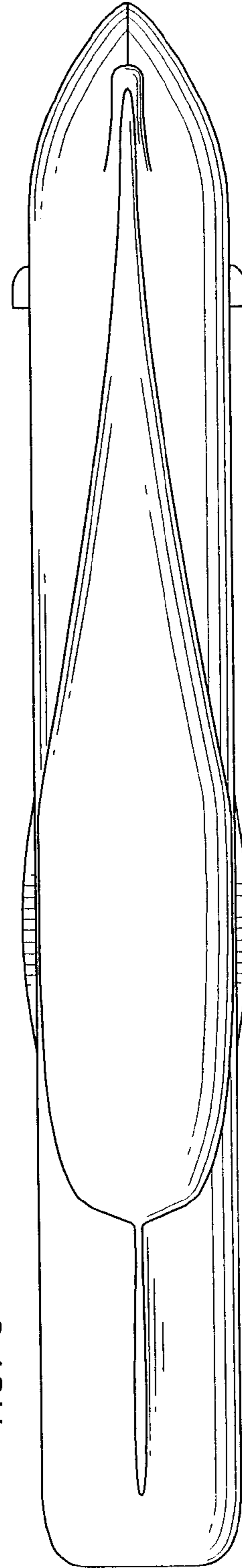


FIG. 4

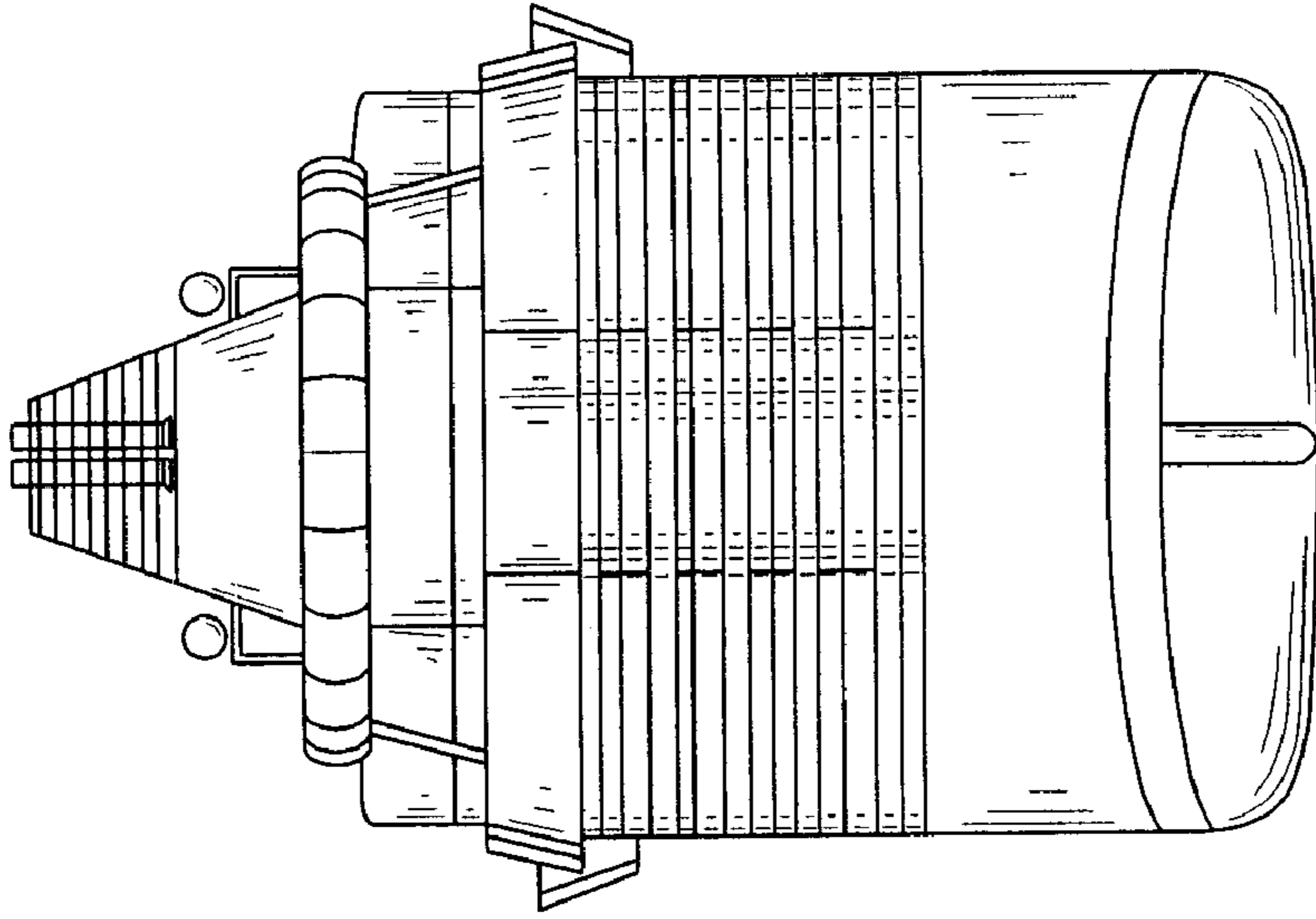


FIG. 6

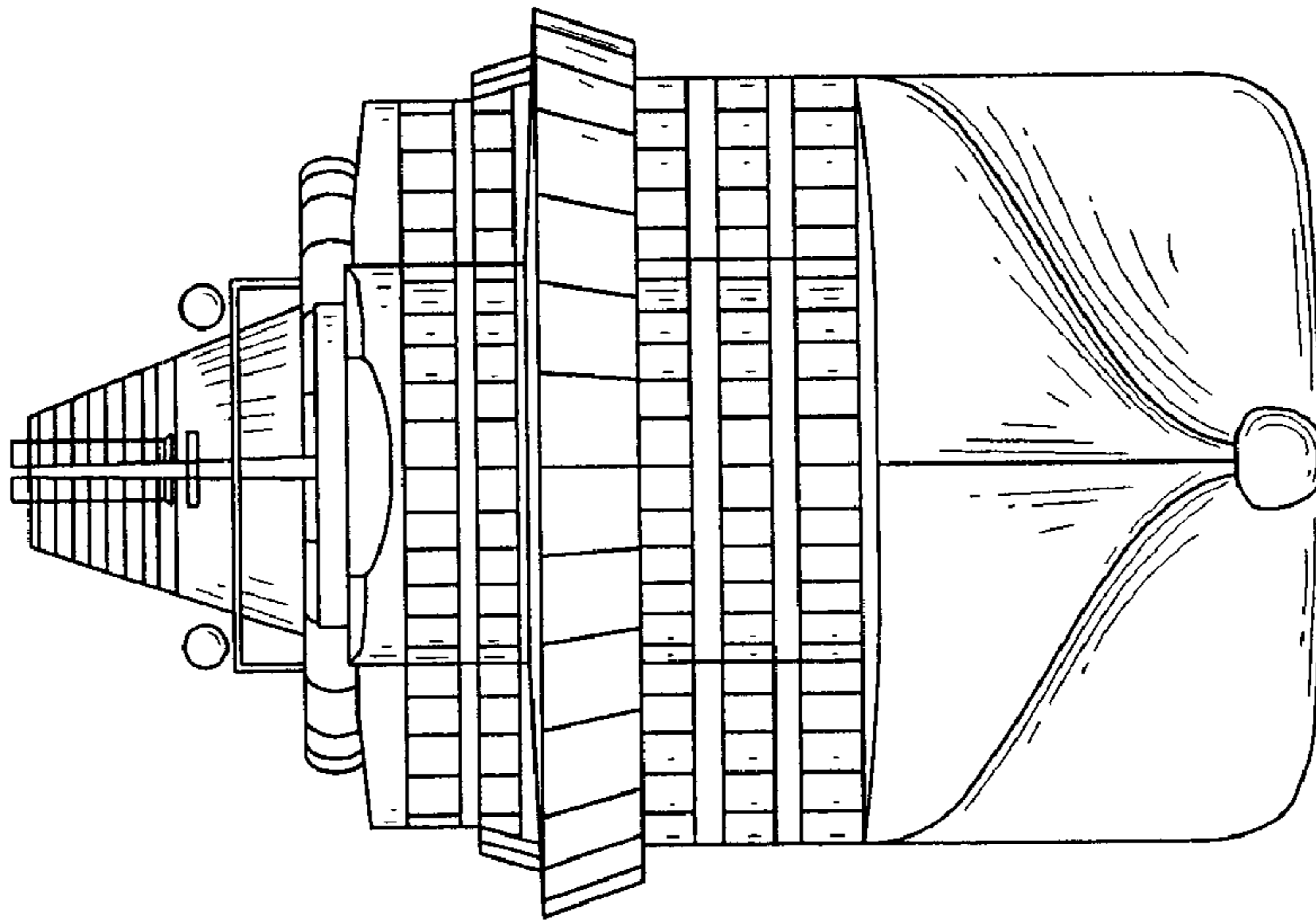


FIG. 5

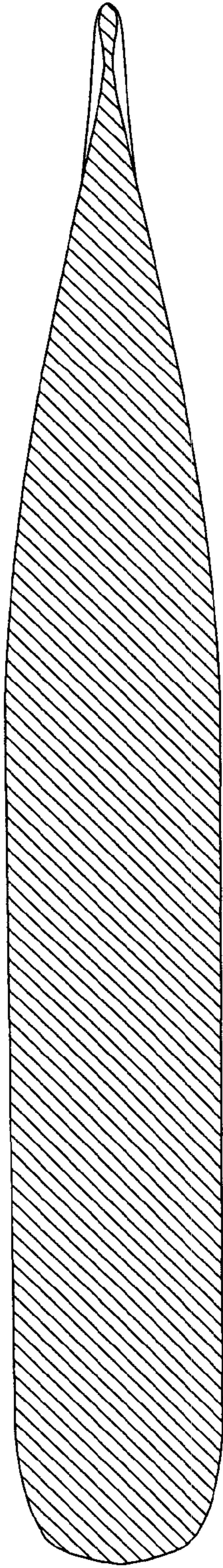


FIG. 7

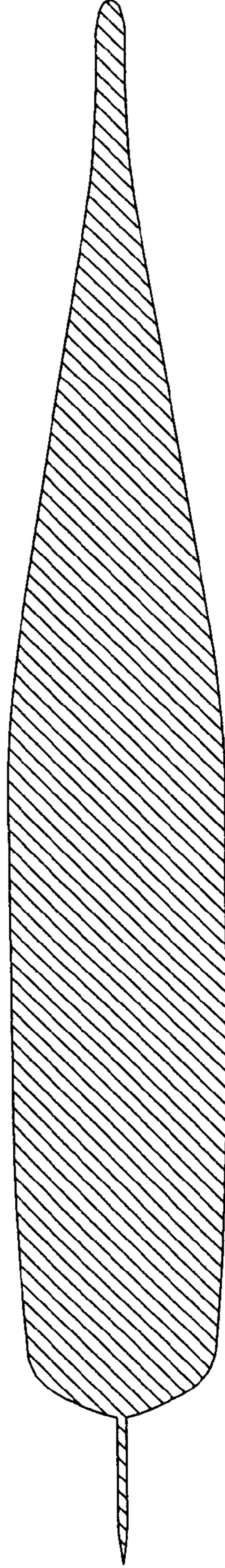


FIG. 8

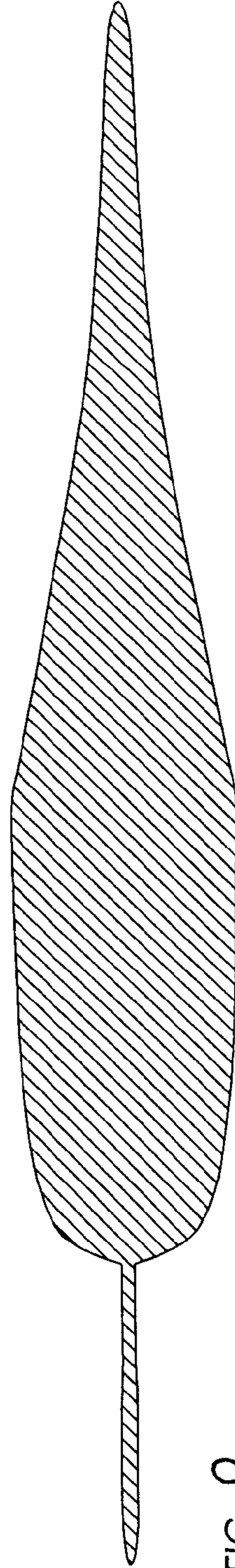


FIG. 9

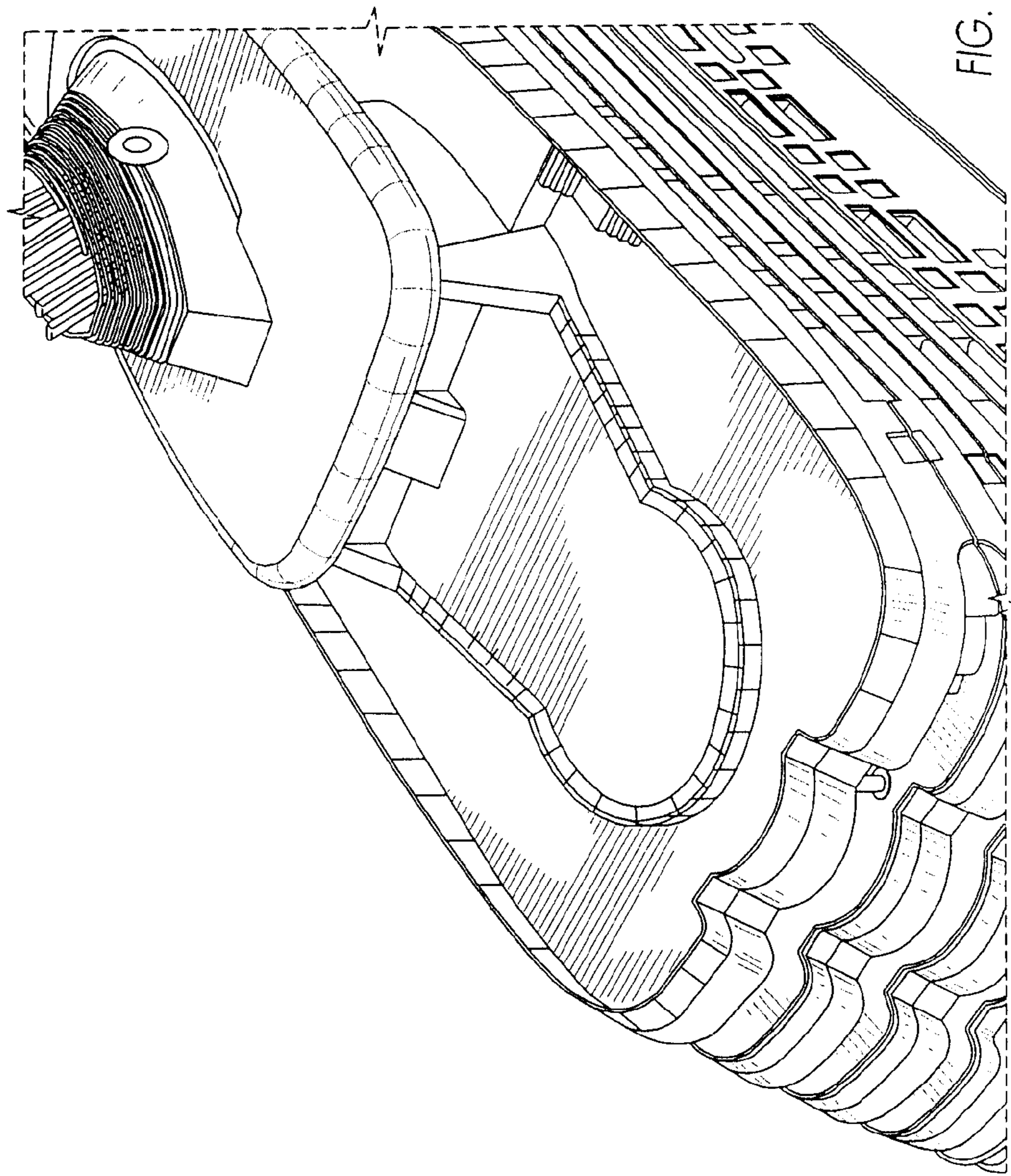


FIG. 10

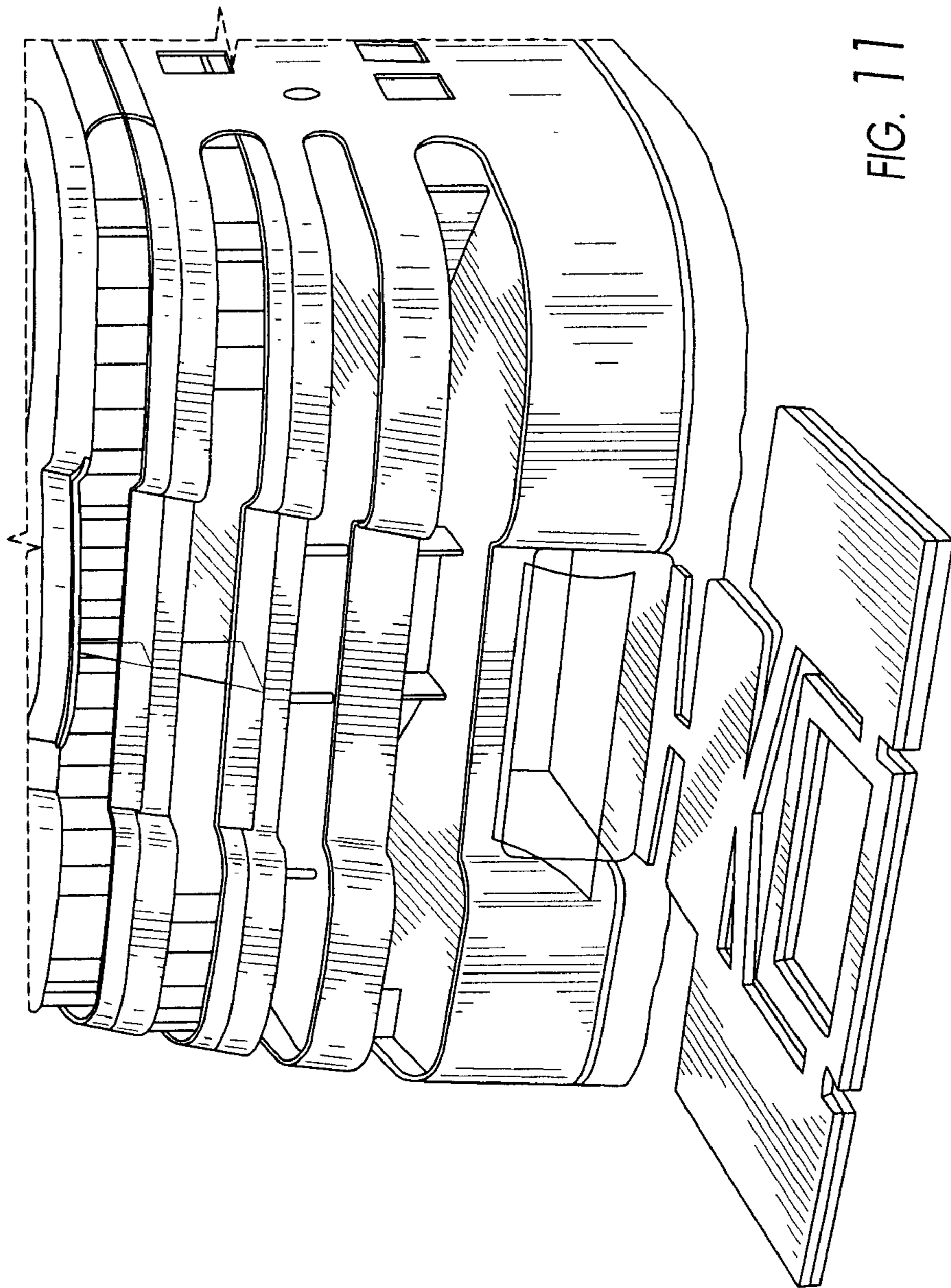


FIG. 11