

US00D570274S

(12) **United States Design Patent**
Scheu

(10) **Patent No.:** **US D570,274 S**

(45) **Date of Patent:** **** Jun. 3, 2008**

(54) **FRONT FACE OF A VEHICLE WHEEL**

(75) Inventor: **Armin Scheu**, Stuttgart (DE)

(73) Assignee: **DaimlerChrysler AG**, Stuttgart (DE)

(**) Term: **14 Years**

(21) Appl. No.: **29/290,688**

(22) Filed: **Jan. 3, 2008**

(30) **Foreign Application Priority Data**

Jul. 4, 2007 (EM) 000751763-0002

(51) **LOC (8) Cl.** **12-16**

(52) **U.S. Cl.** **D12/211**

(58) **Field of Classification Search** D12/204-213;
301/37.101, 64.101, 65, 64.201

See application file for complete search history.

(56) **References Cited**

U.S. PATENT DOCUMENTS

D392,237 S *	3/1998	Kelley	D12/209
D501,441 S *	2/2005	Rosenbohm	D12/211
D504,649 S *	5/2005	Pfeiffer	D12/209
D525,928 S *	8/2006	Pfeiffer	D12/209
D526,268 S *	8/2006	Pfeiffer	D12/211
D528,960 S *	9/2006	Kim	D12/211

D532,740 S *	11/2006	Ettensberger	D12/211
D535,934 S *	1/2007	Scheu	D12/211
D540,236 S *	4/2007	Hamano	D12/209
D546,266 S *	7/2007	Young	D12/211
D547,253 S *	7/2007	Muzzarelli	D12/211
D553,067 S *	10/2007	Muzzarelli	D12/211

* cited by examiner

Primary Examiner—Stacia Cadmus

(74) *Attorney, Agent, or Firm*—Crowell & Moring LLP

(57) **CLAIM**

The ornamental design for a front face of a vehicle wheel, as shown and described.

DESCRIPTION

FIG. 1 is a front view of a first embodiment of a front face of a vehicle wheel according to my novel design; and

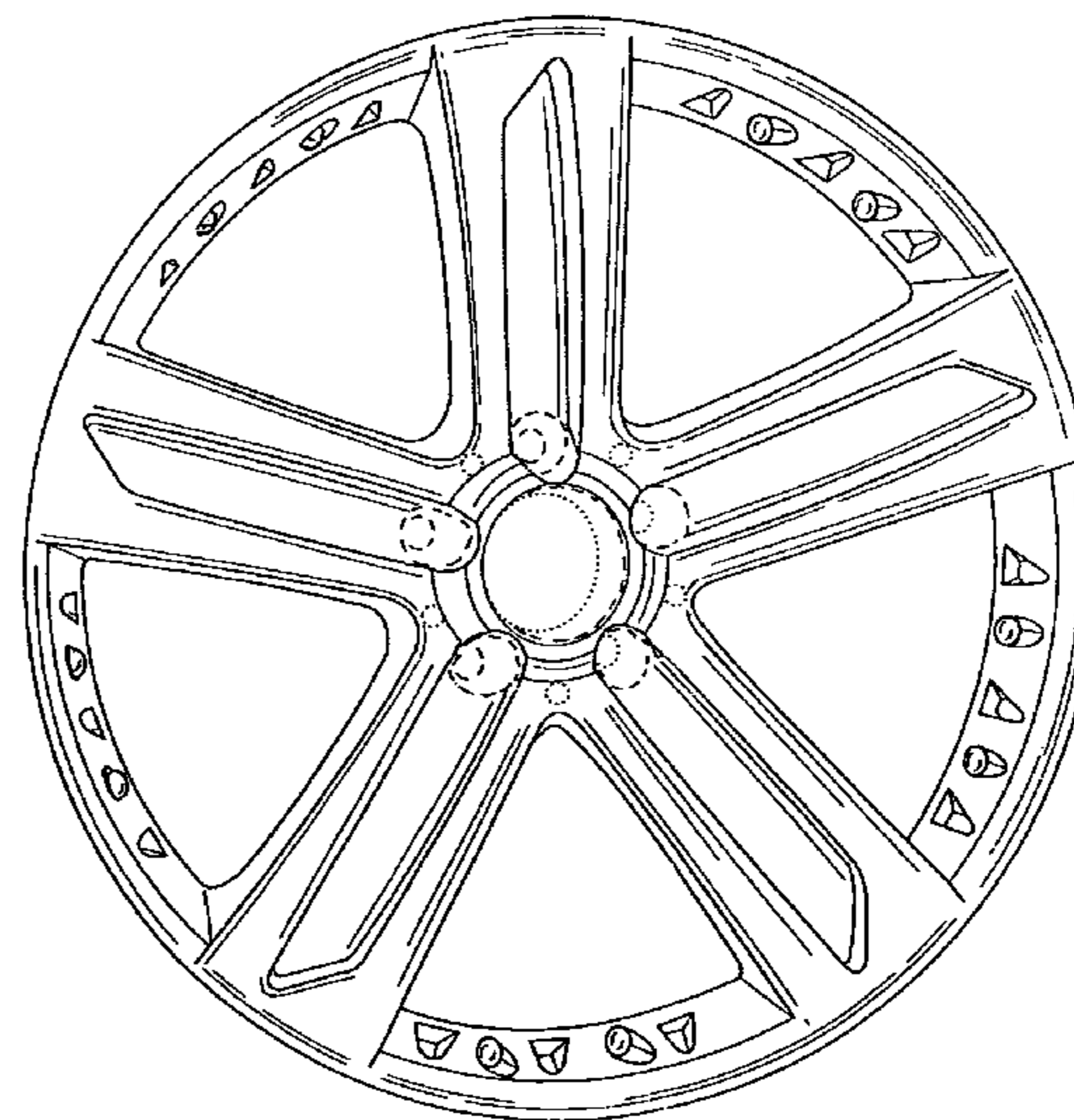
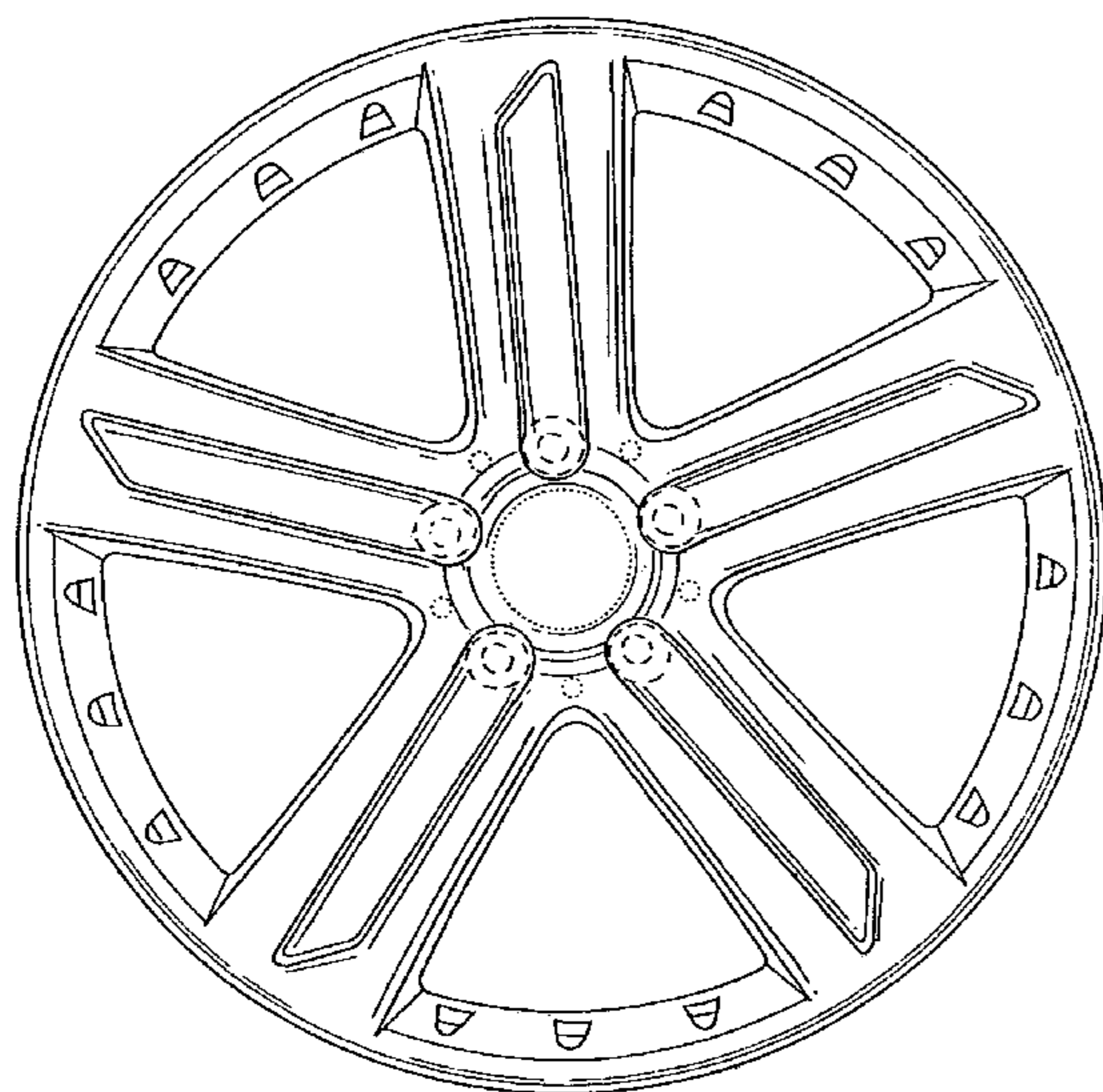
FIG. 2 is a perspective view thereof.

FIG. 3 is a front view of a second embodiment of the front face of a vehicle wheel according to my novel design; and,

FIG. 4 is a perspective view thereof.

The broken lines are for illustrative purposes only and form no part of the claimed design.

1 Claim, 2 Drawing Sheets



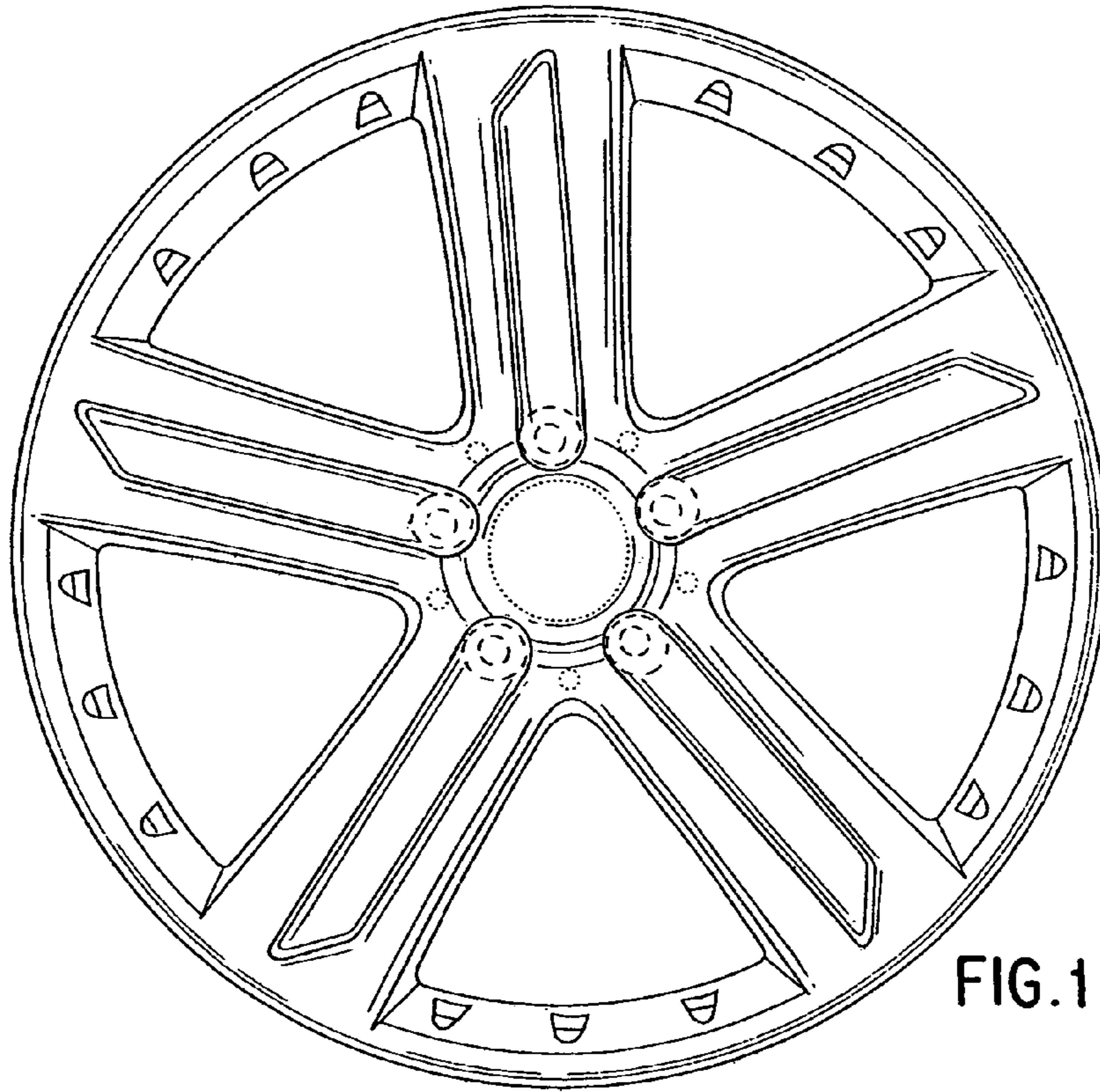


FIG. 1

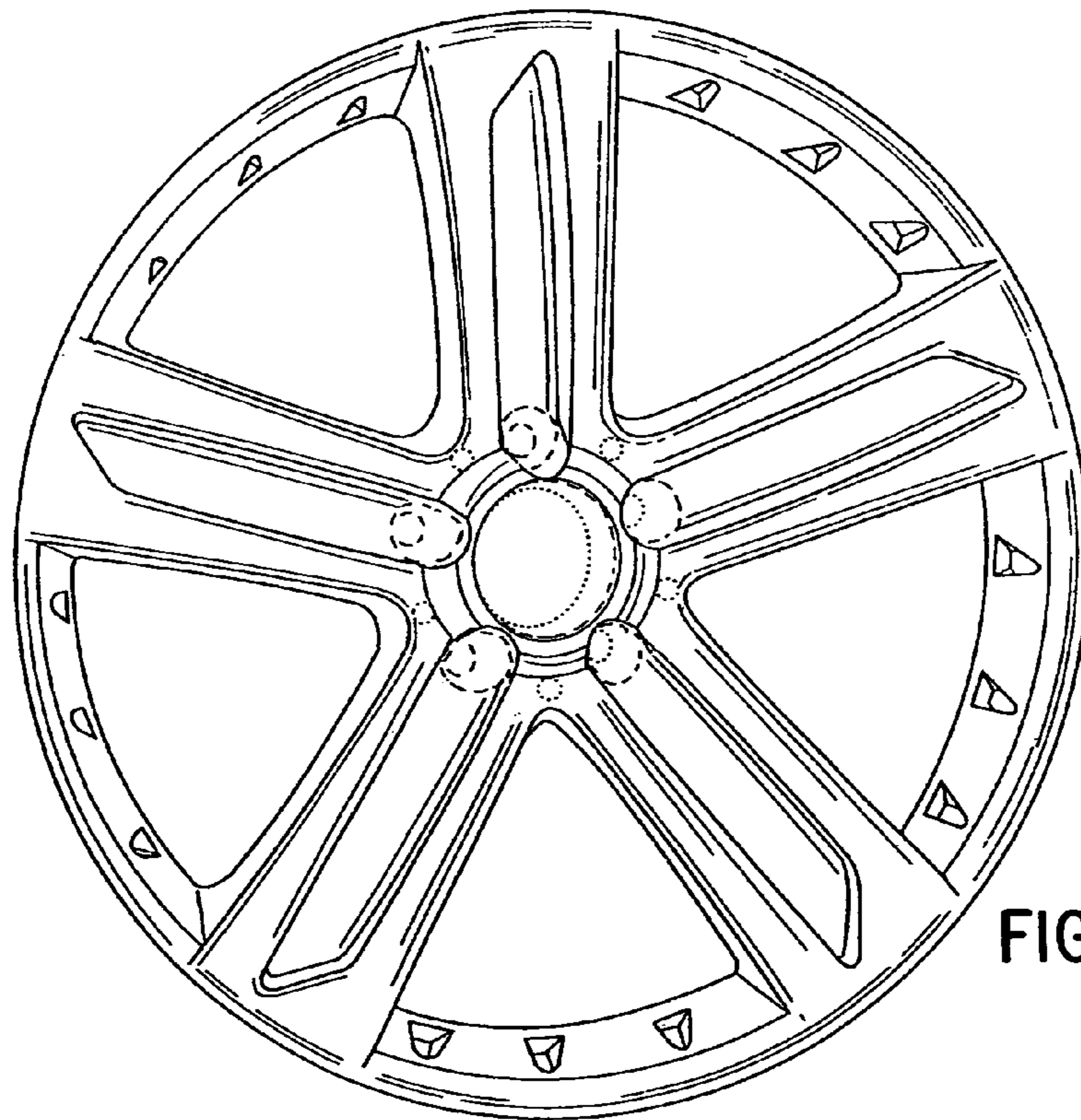


FIG. 2

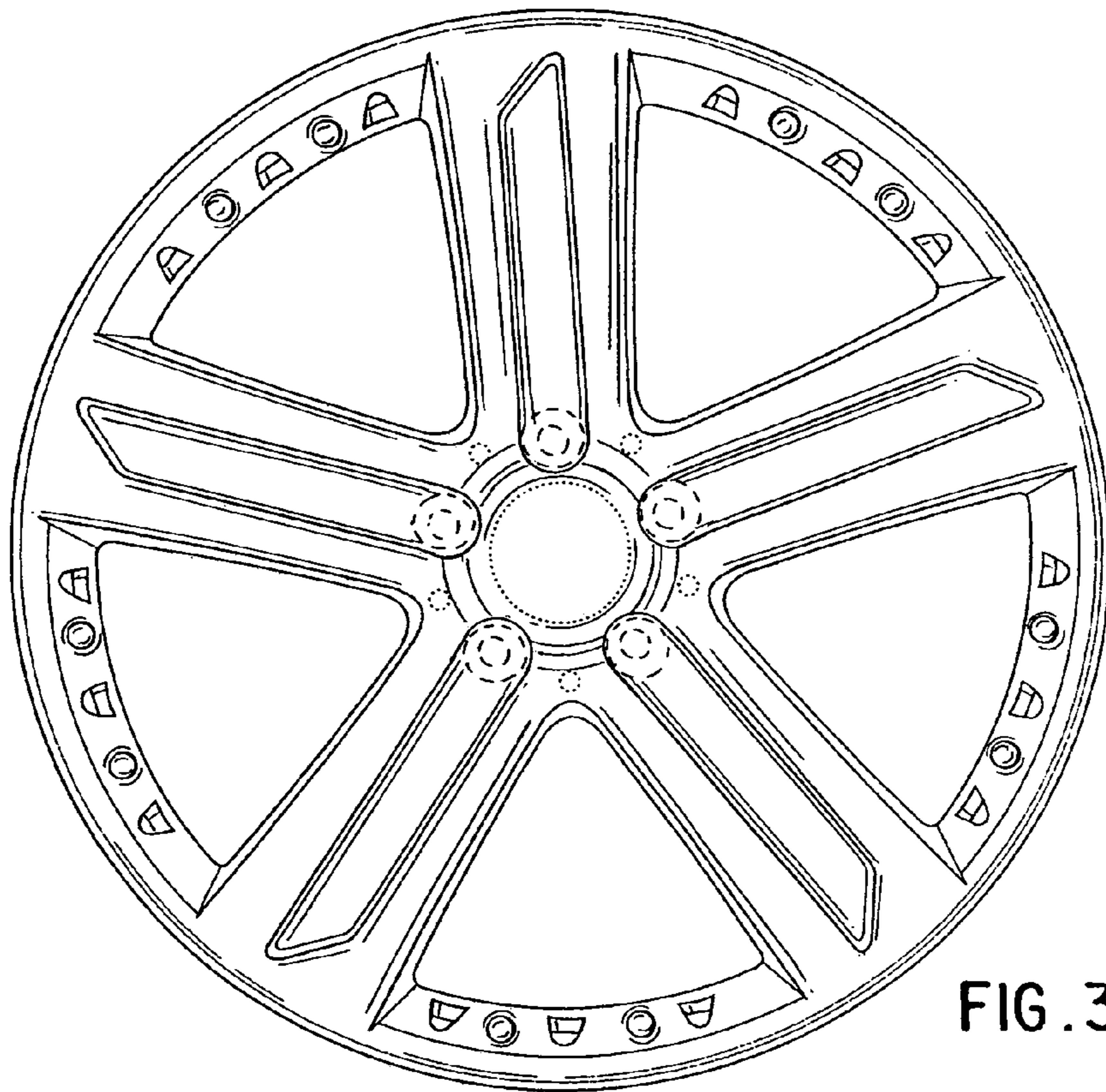


FIG. 3

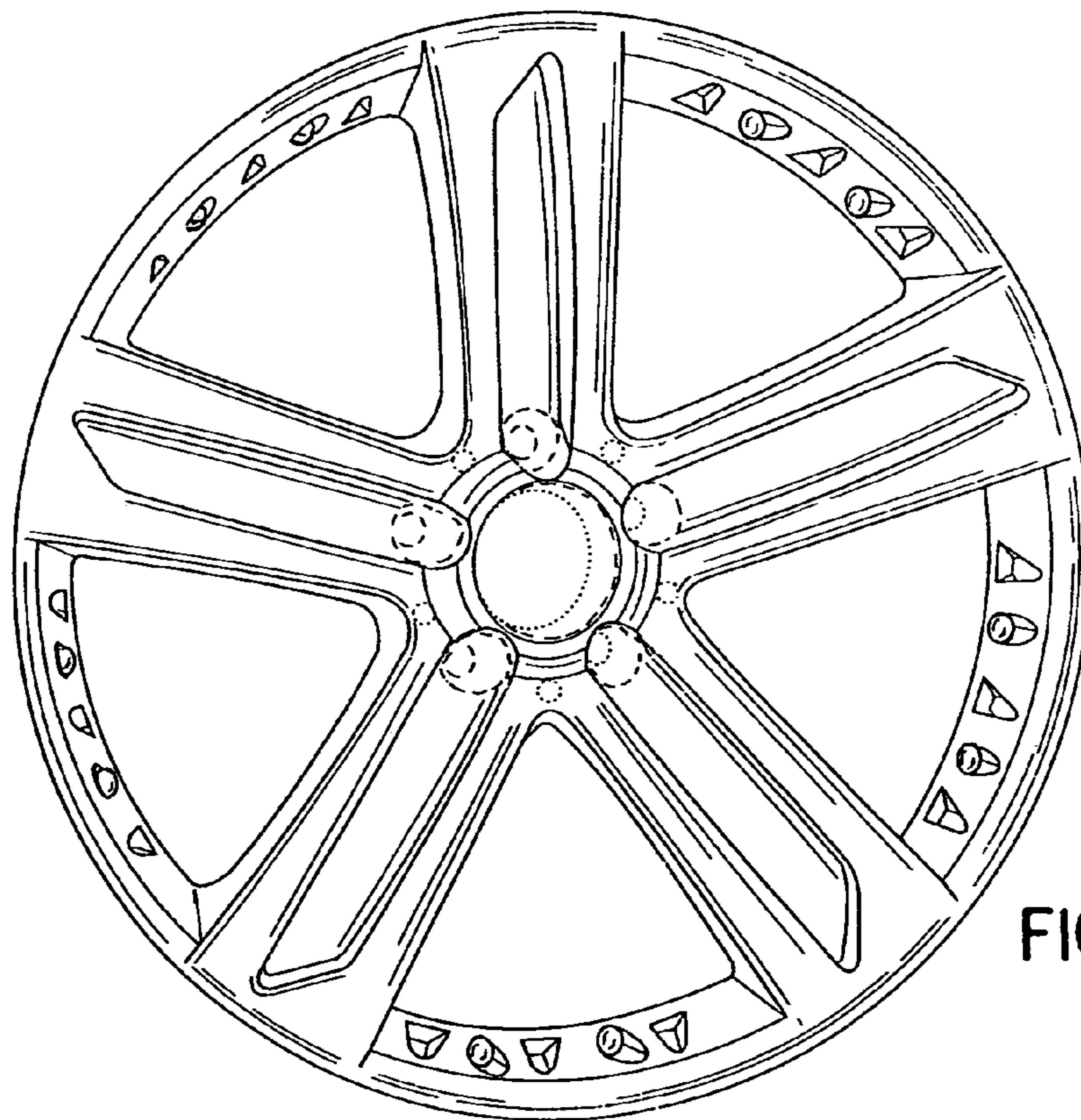


FIG. 4