



US00D570262S

(12) **United States Design Patent**
Elmitt

(10) **Patent No.:** **US D570,262 S**

(45) **Date of Patent:** **** Jun. 3, 2008**

(54) **SURFACE CONFIGURATION OF A REAR BUMPER FOR A VEHICLE**

D559,744 S * 1/2008 Hieke D12/169
D559,746 S * 1/2008 Hieke D12/169

(75) Inventor: **Karl John Elmitt**, Eching (DE)

OTHER PUBLICATIONS

(73) Assignee: **Bayerische Motoren Werke Aktiengesellschaft**, Munich (DE)

Toyota, Camry, Brochure of Camry, Jan. 2006, Toyota Jidosha Kabushiki Kaisha.

Toyota, Premio, Brochure of Premio, Dec. 2004, Toyota Jidosha Kabushiki Kaisha.

(**) Term: **14 Years**

* cited by examiner

(21) Appl. No.: **29/275,000**

Primary Examiner—Melody N. Brown

(22) Filed: **Jun. 15, 2007**

(74) *Attorney, Agent, or Firm*—Crowell & Moring LLP

(30) **Foreign Application Priority Data**

(57) **CLAIM**

Dec. 18, 2006 (DE) 406 06 408

The ornamental design for a surface configuration of a rear bumper for a vehicle, as shown and described.

(51) **LOC (8) Cl.** **12-16**

(52) **U.S. Cl.** **D12/169**

(58) **Field of Classification Search** D12/90–92,
D12/86, 169, 196, 163; 296/193.1, 181.1;
293/102, 113, 115, 117, 120

DESCRIPTION

See application file for complete search history.

This application is related to the following co-pending application, of the inventor, filed on even date herewith:

Application Ser. No. 29/274,999, entitled “Surface Configuration of a Vehicle, Toy, and/or Other Replicas”.

(56) **References Cited**

FIG. 1 is a left perspective view of a surface configuration of a rear bumper for a vehicle according to my novel design;

FIG. 2 is a right perspective view thereof;

FIG. 3 is a front view thereof;

FIG. 4 is a right side view thereof; and,

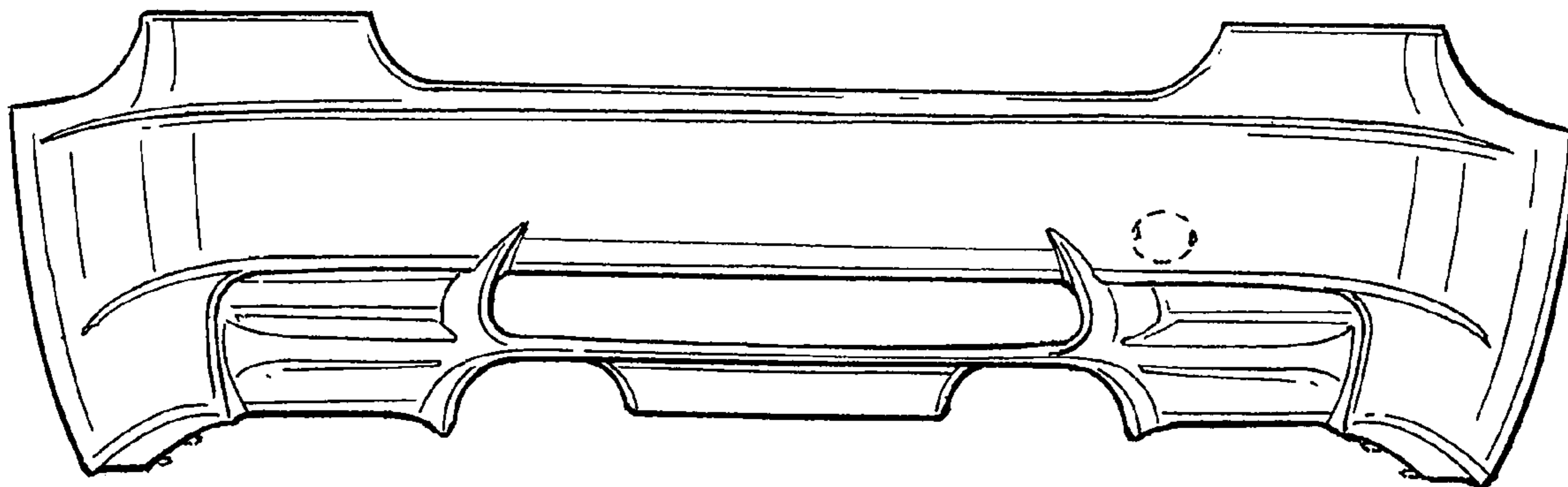
FIG. 5 is a left side view thereof.

U.S. PATENT DOCUMENTS

- D503,134 S * 3/2005 Pfeiffer et al. D12/169
- D516,969 S * 3/2006 Honda et al. D12/169
- D532,346 S * 11/2006 Tachibana D12/169
- D533,816 S * 12/2006 Golden et al. D12/169
- D533,818 S * 12/2006 Kitazumi et al. D12/169
- D535,228 S * 1/2007 Hayashi D12/169
- D537,392 S * 2/2007 Pfeiffer D12/169
- D538,209 S * 3/2007 Fujimaki D12/169
- D545,734 S * 7/2007 Kono D12/169
- D546,250 S * 7/2007 Hettler D12/169
- D555,552 S * 11/2007 Bucher et al. D12/169

The broken lines are for illustrative purposes only and form no part of the claimed design. Also enclosed is a set of photographs of an embodiment of the invention.

1 Claim, 2 Drawing Sheets



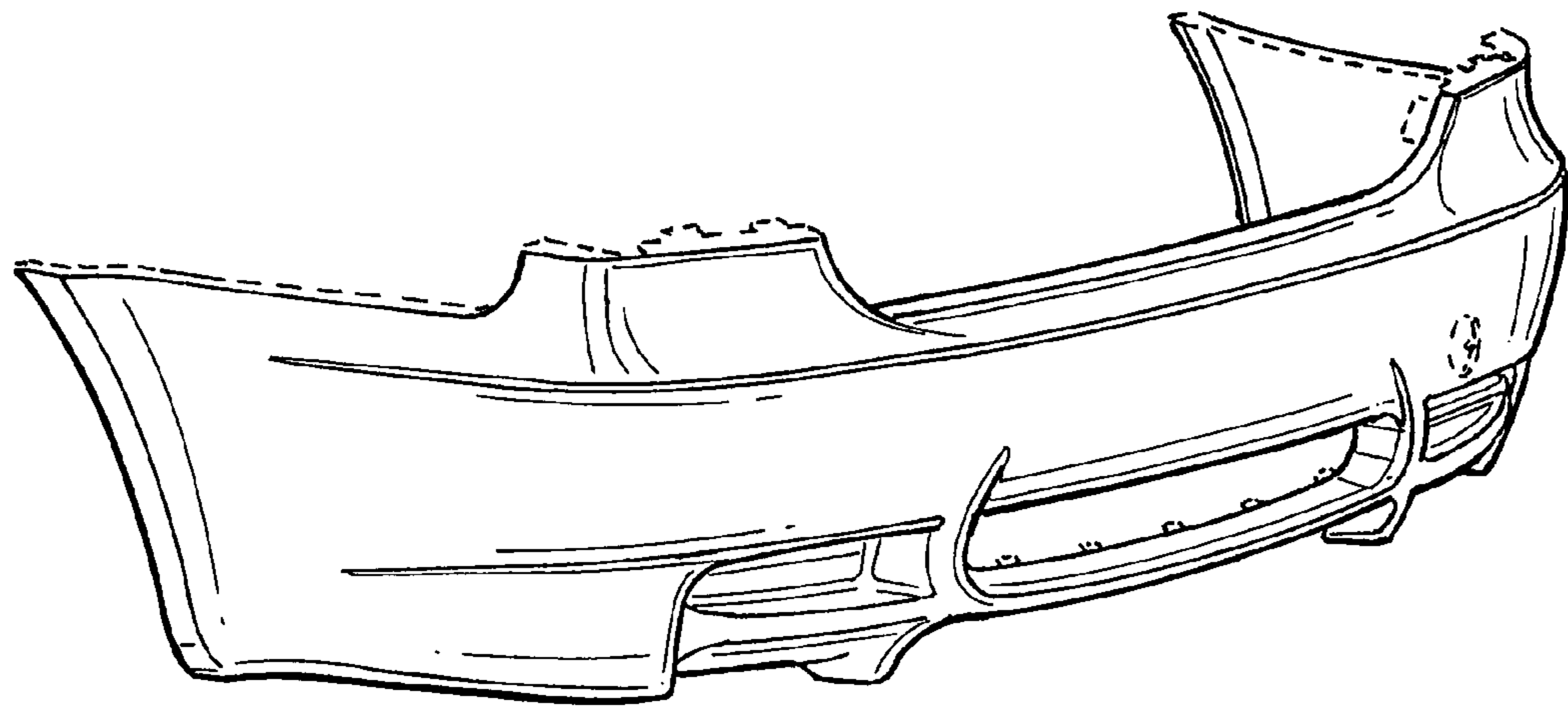


FIG. 1

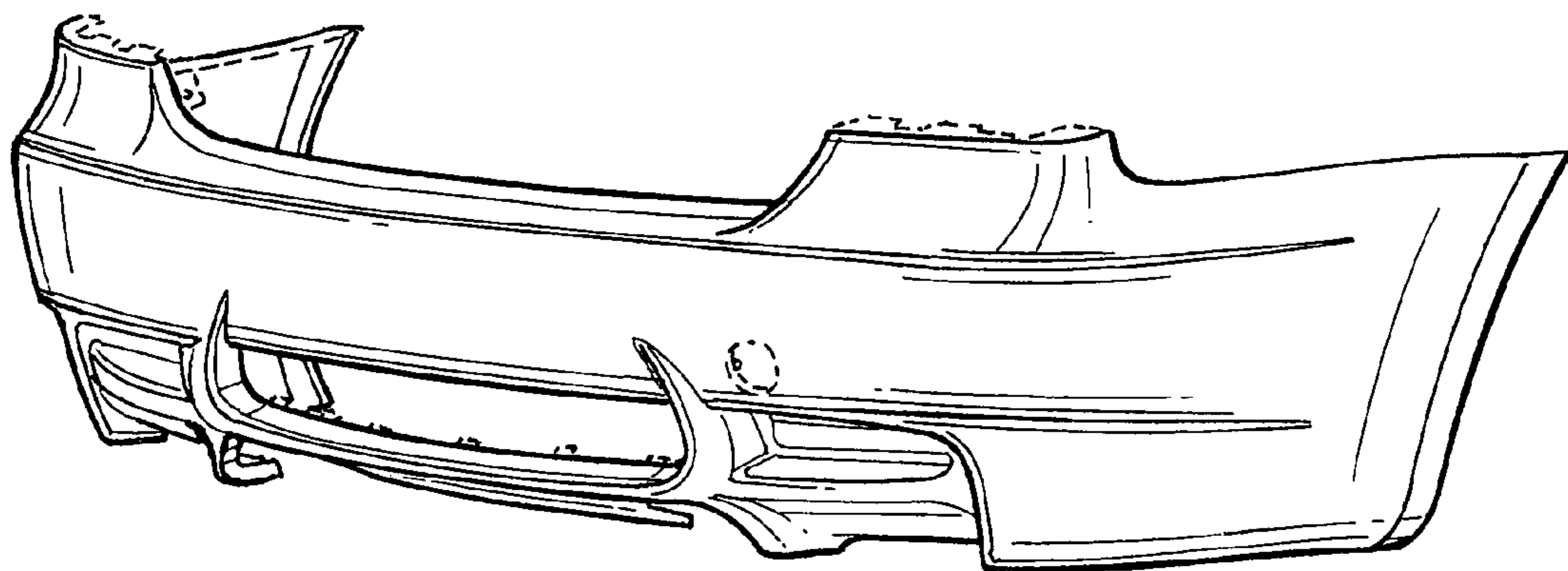


FIG. 2

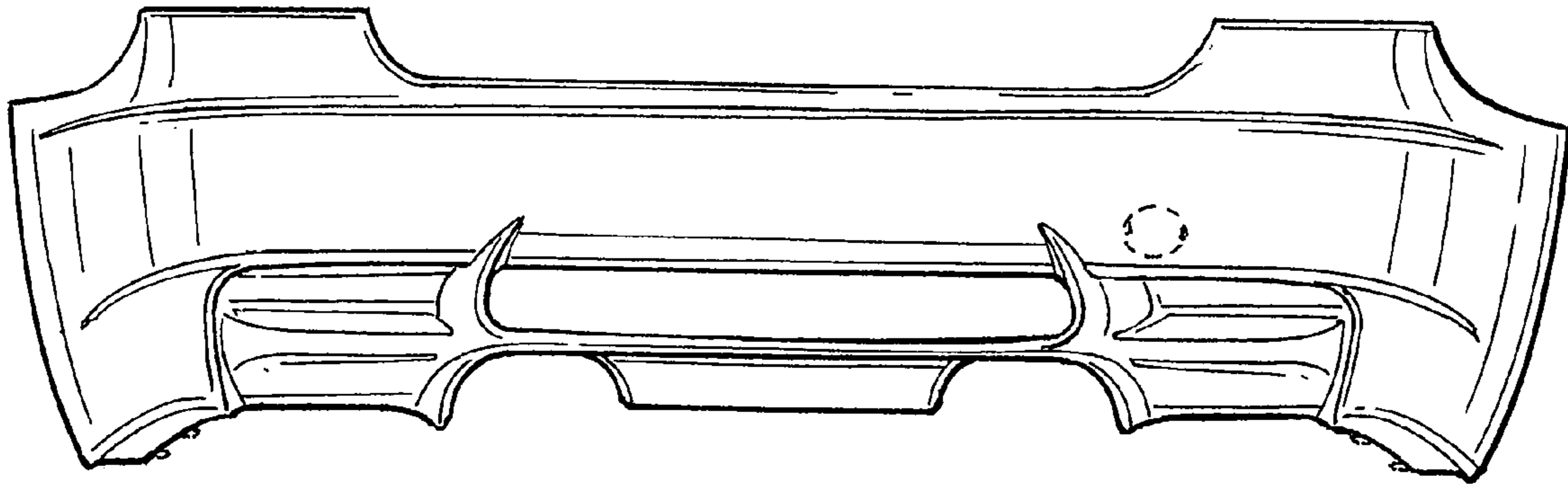


FIG. 3

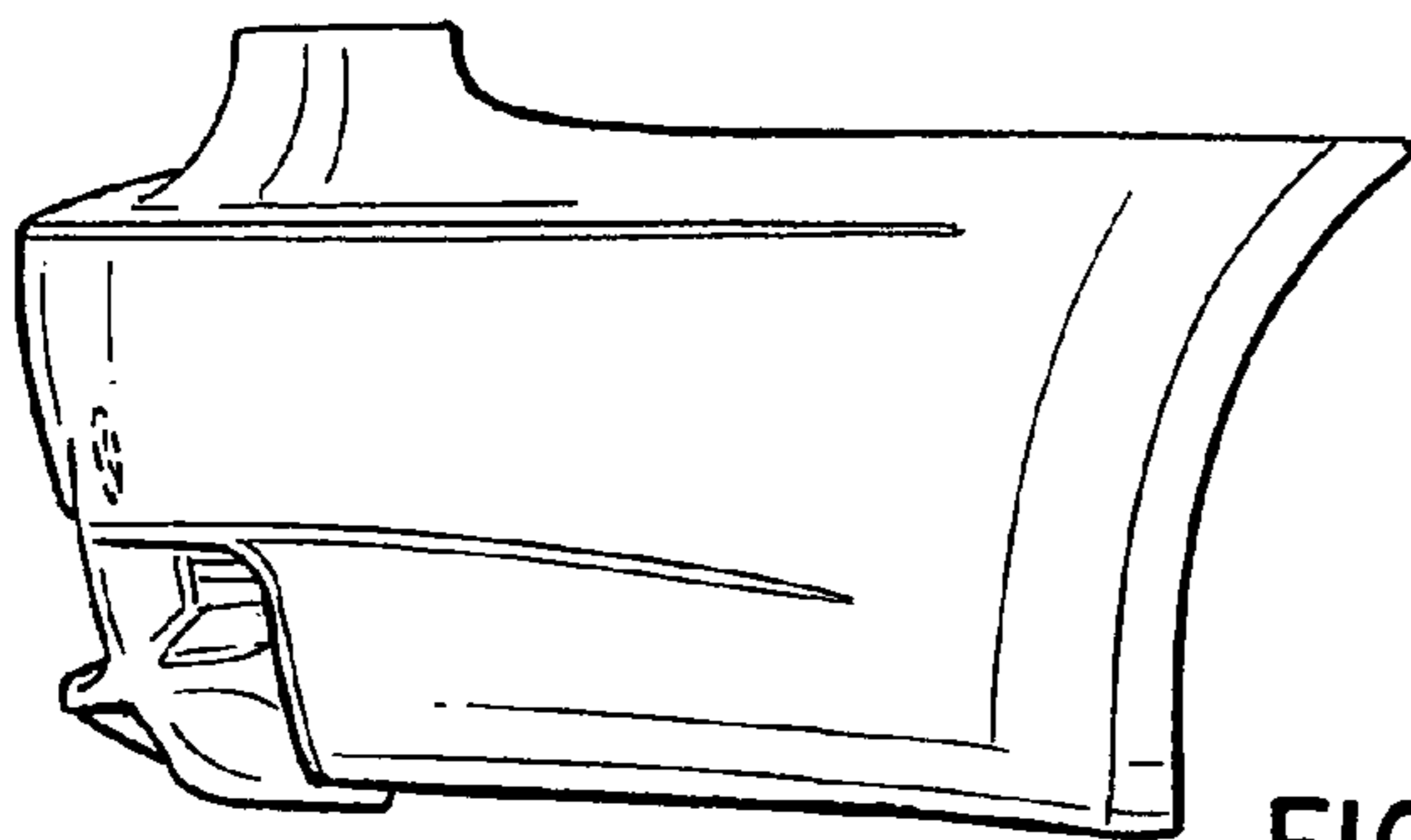


FIG. 4

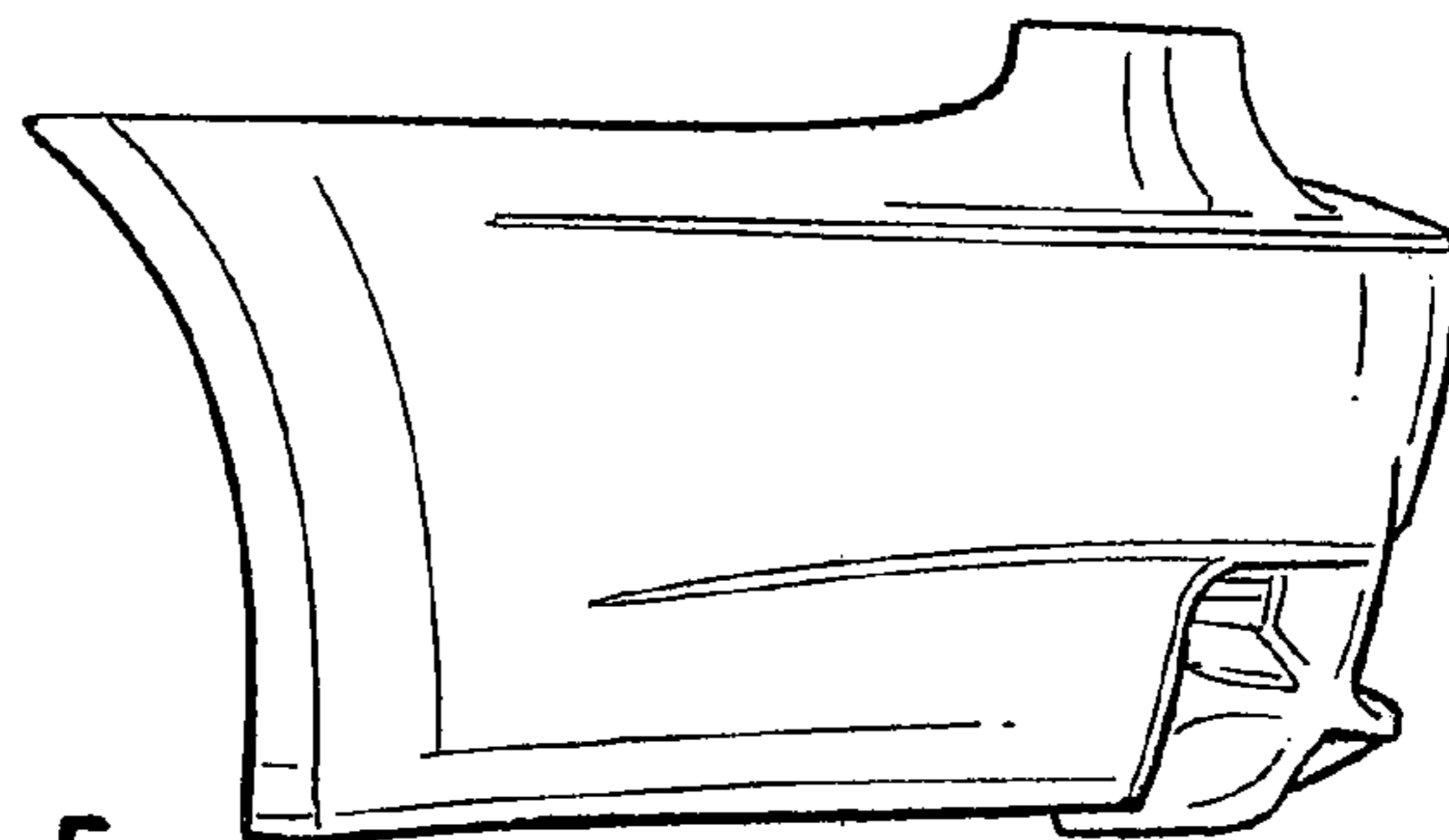


FIG. 5