

US00D570259S

(12) **United States Design Patent**  
**Choi**

(10) **Patent No.:** **US D570,259 S**  
(45) **Date of Patent:** **\*\* Jun. 3, 2008**

(54) **RADIATOR GRILLE FOR VEHICLE**

(75) Inventor: **Jungkyu Choi**, Yokohama (JP)

(73) Assignee: **Nissan Motor Co., Ltd.**, Yokohama-shi (JP)

(\*\*) Term: **14 Years**

(21) Appl. No.: **29/287,227**

(22) Filed: **Jul. 11, 2007**

(30) **Foreign Application Priority Data**

Feb. 7, 2007 (JP) ..... 2007-002873

(51) **LOC (8) Cl.** ..... **12-16**

(52) **U.S. Cl.** ..... **D12/163**

(58) **Field of Classification Search** ..... D12/163,  
D12/171, 196, 216, 90-92, 86; 180/68.1,  
180/68.6; 296/193.11

See application file for complete search history.

(56) **References Cited**

U.S. PATENT DOCUMENTS

- D475,329 S \* 6/2003 Okumoto et al. .... D12/163
- D511,721 S \* 11/2005 Neuchi et al. .... D12/163
- D524,703 S \* 7/2006 Konaka ..... D12/163
- D526,253 S \* 8/2006 Oda ..... D12/163
- D551,596 S \* 9/2007 Ishizuka et al. .... D12/92

D559,742 S \* 1/2008 Thomas et al. .... D12/163

\* cited by examiner

*Primary Examiner*—Melody N Brown

(74) *Attorney, Agent, or Firm*—Foley & Lardner LLP

(57) **CLAIM**

The ornamental design for a radiator grille for vehicle, as shown and described.

**DESCRIPTION**

FIG. 1 is a perspective view of a radiator grille for vehicle;

FIG. 2 is a front view thereof;

FIG. 3 is a rear view thereof;

FIG. 4 is a top plan view thereof;

FIG. 5 is a bottom plan view thereof;

FIG. 6 is a right side view thereof;

FIG. 7 is a left side view thereof;

FIG. 8 is a partial view thereof taken at the area between the 8—8 lines;

FIG. 9 is an enlarged sectional view thereof taken along line 9—9;

FIG. 10 is an enlarged sectional view thereof taken along line 10—10; and,

FIG. 11 is an enlarged sectional view thereof taken along line 11—11.

**1 Claim, 6 Drawing Sheets**

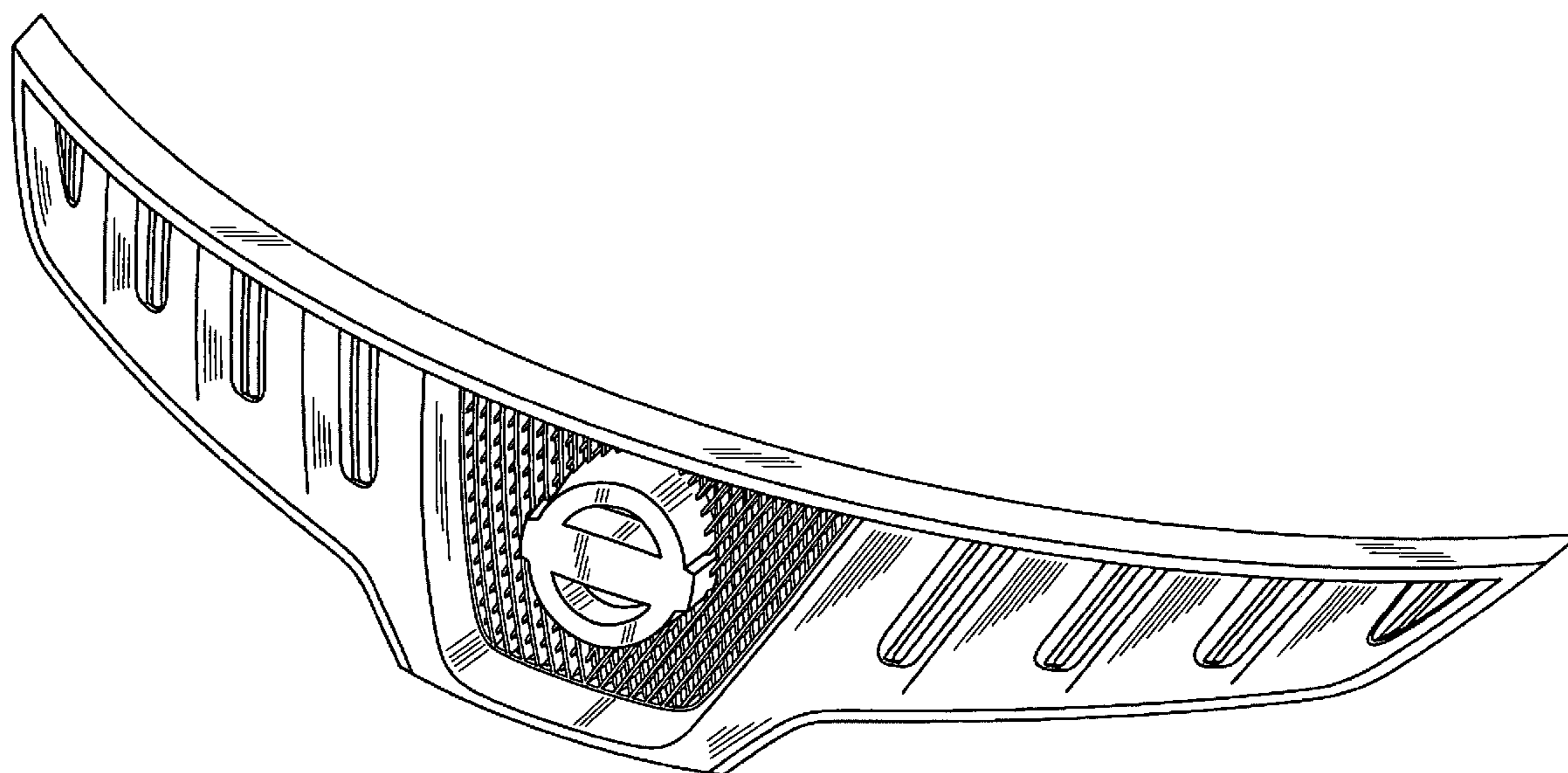


Fig.1

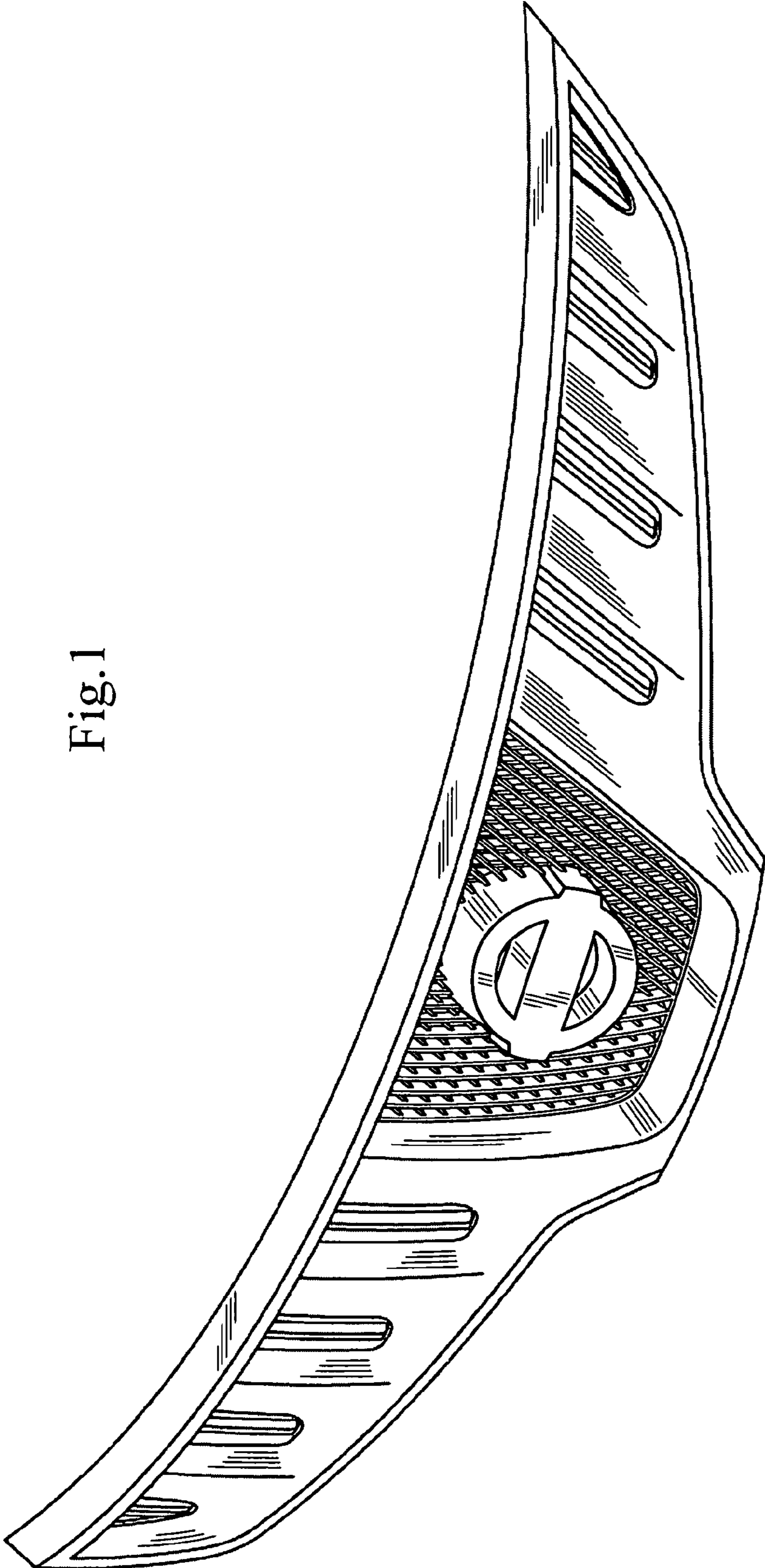


Fig.2

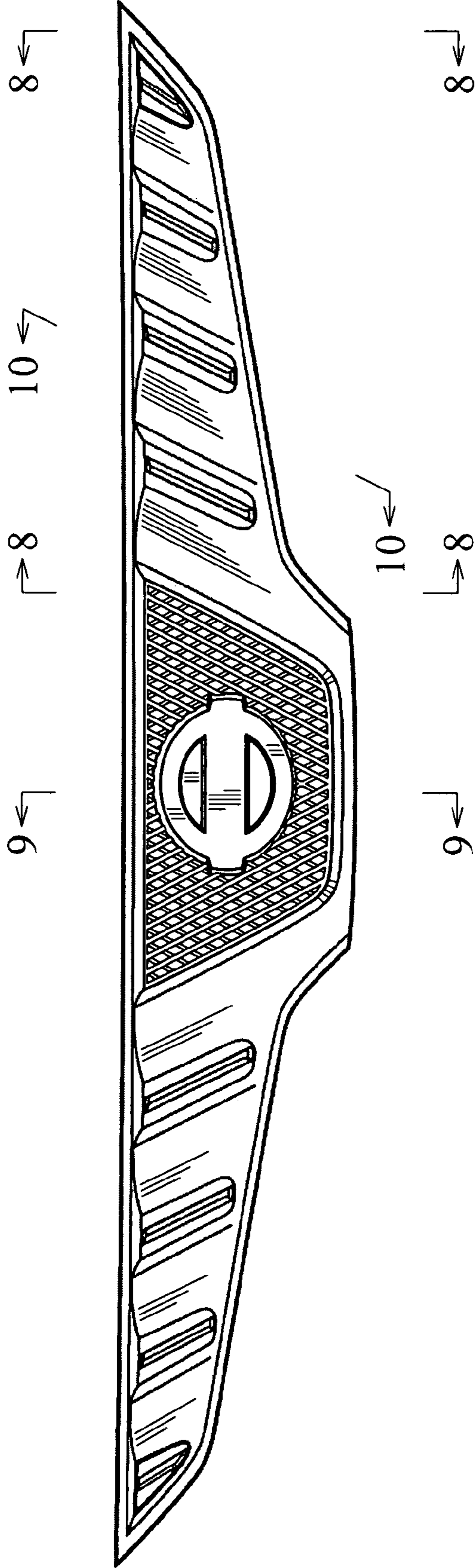
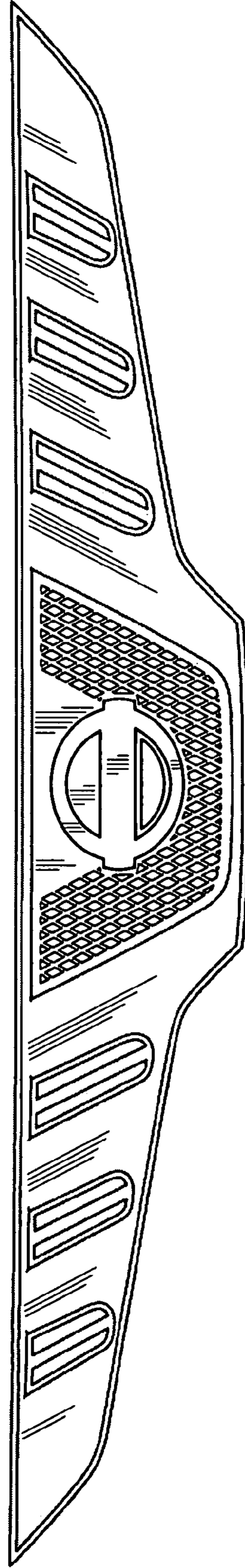


Fig.3



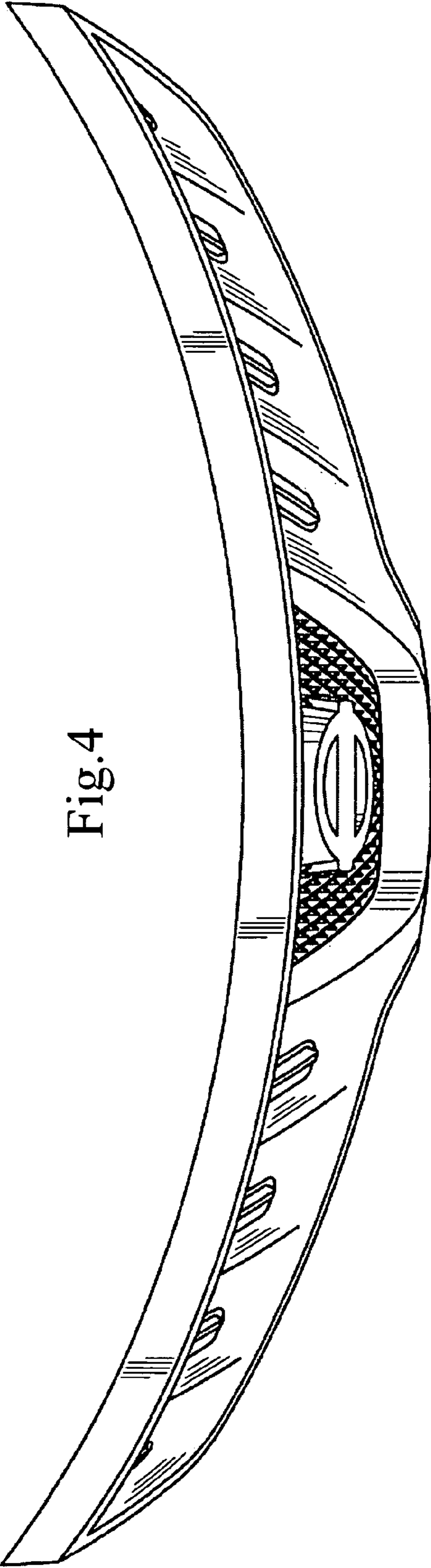


Fig.4

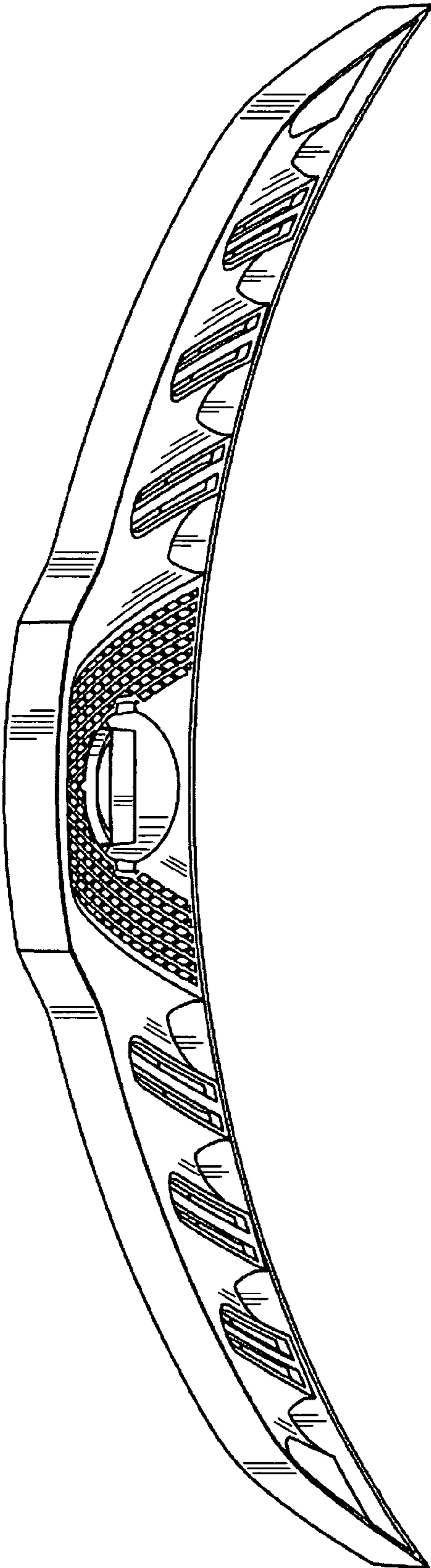


Fig.5

Fig.6

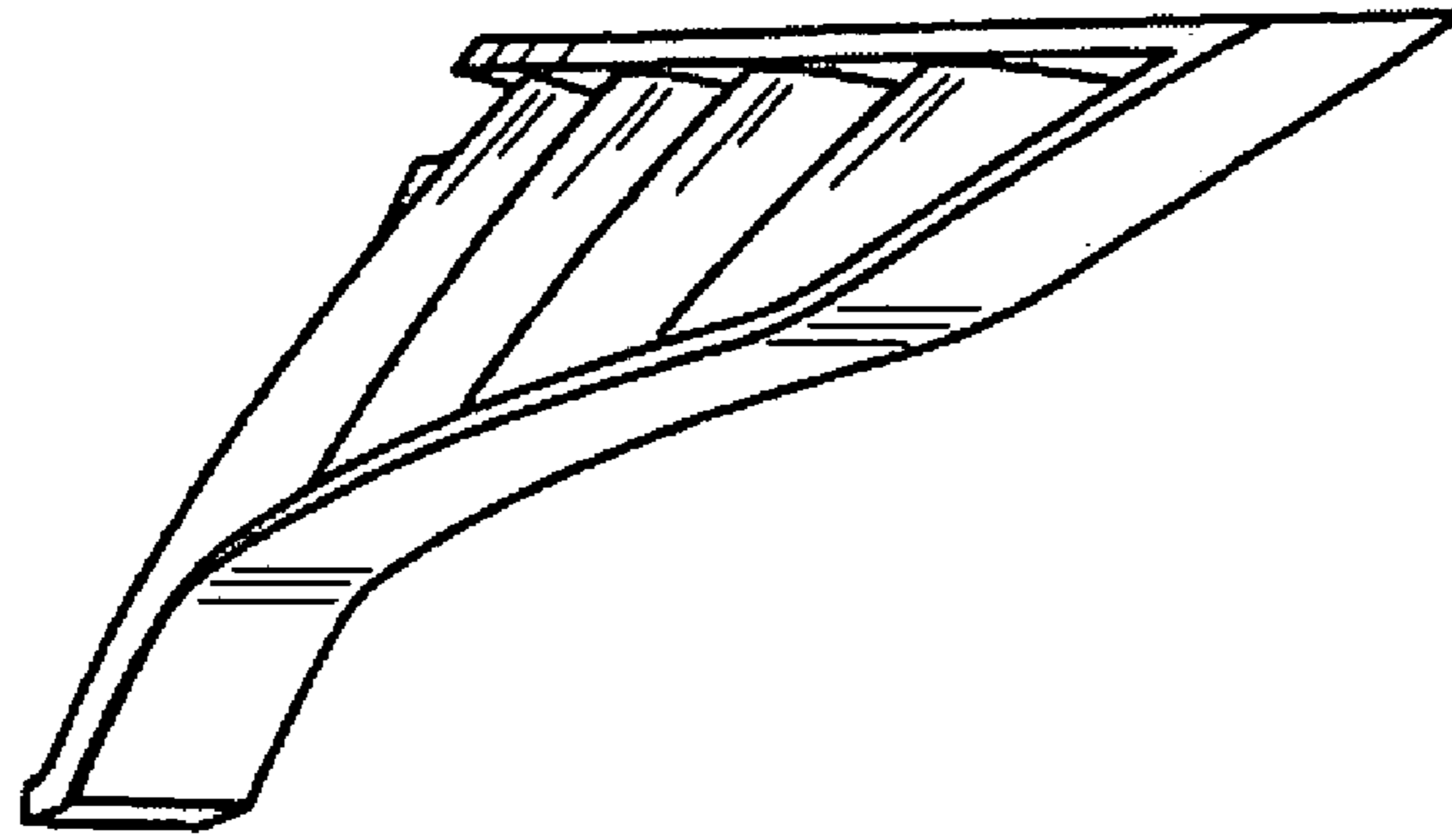


Fig.7

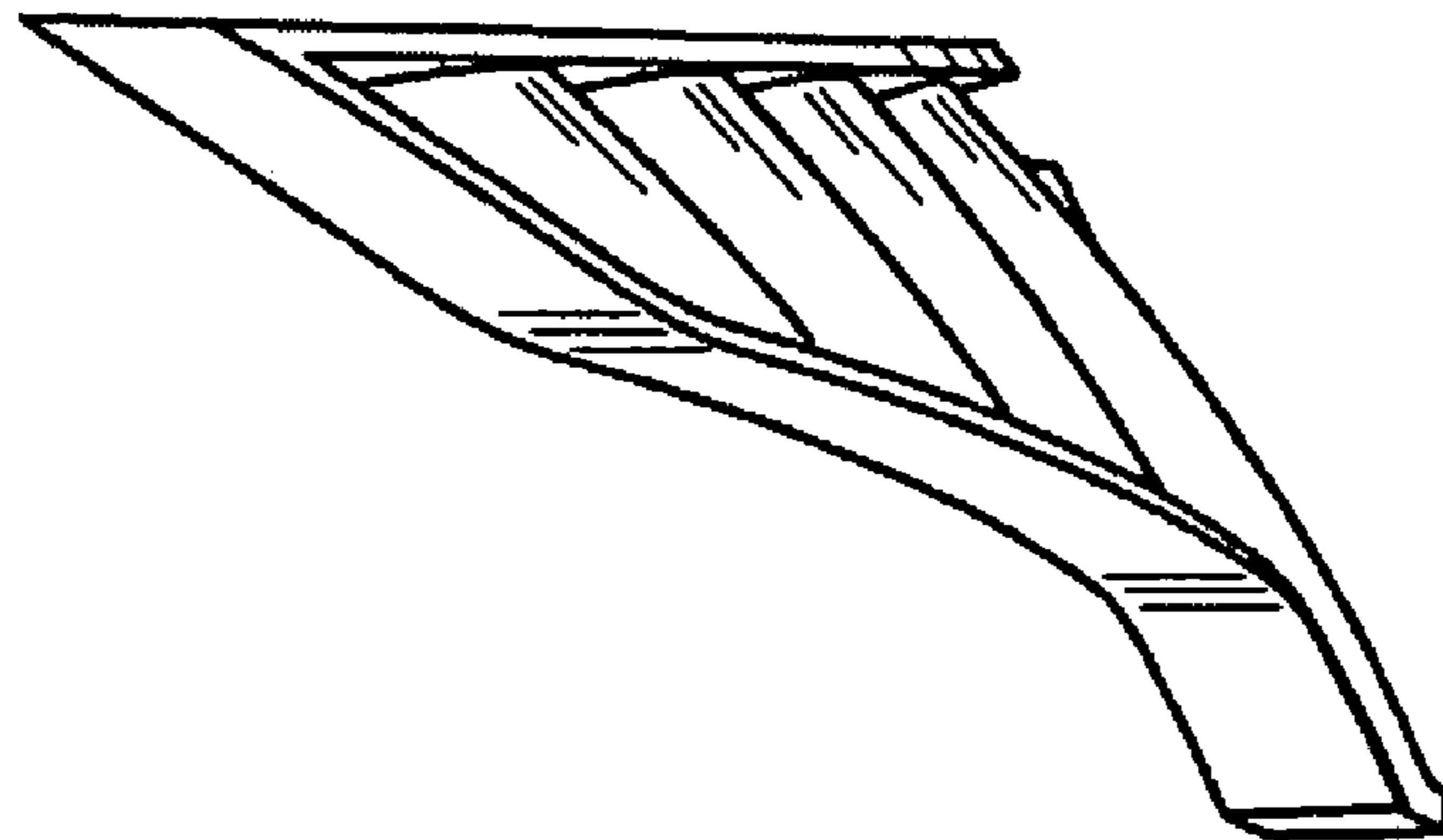


Fig.8

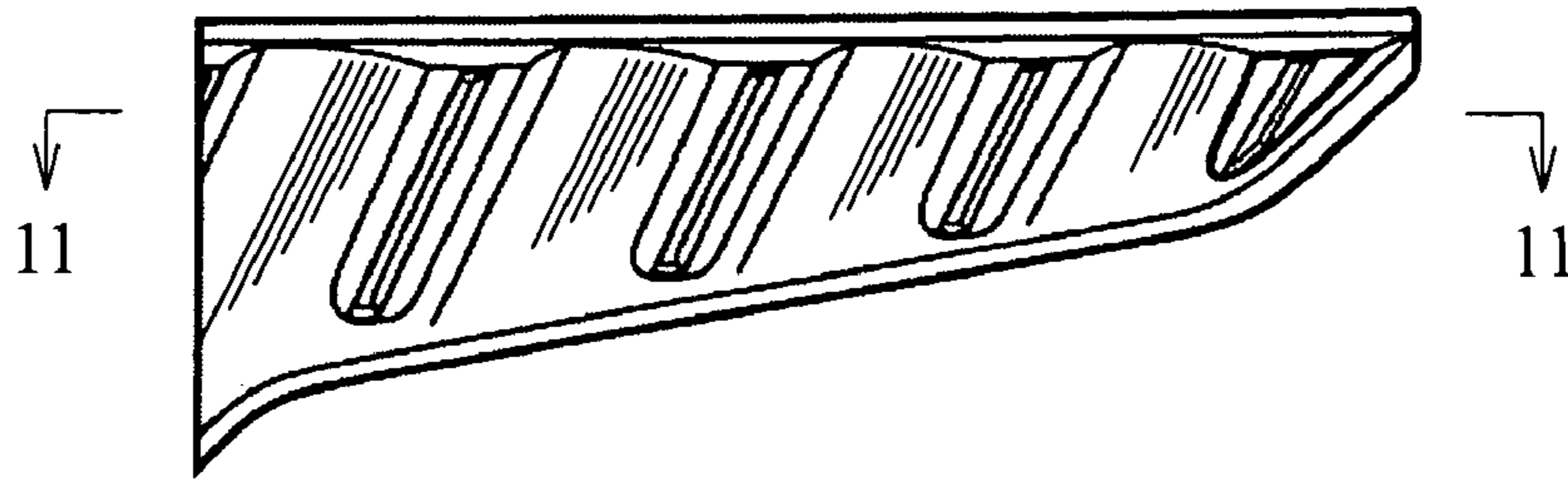


Fig.9

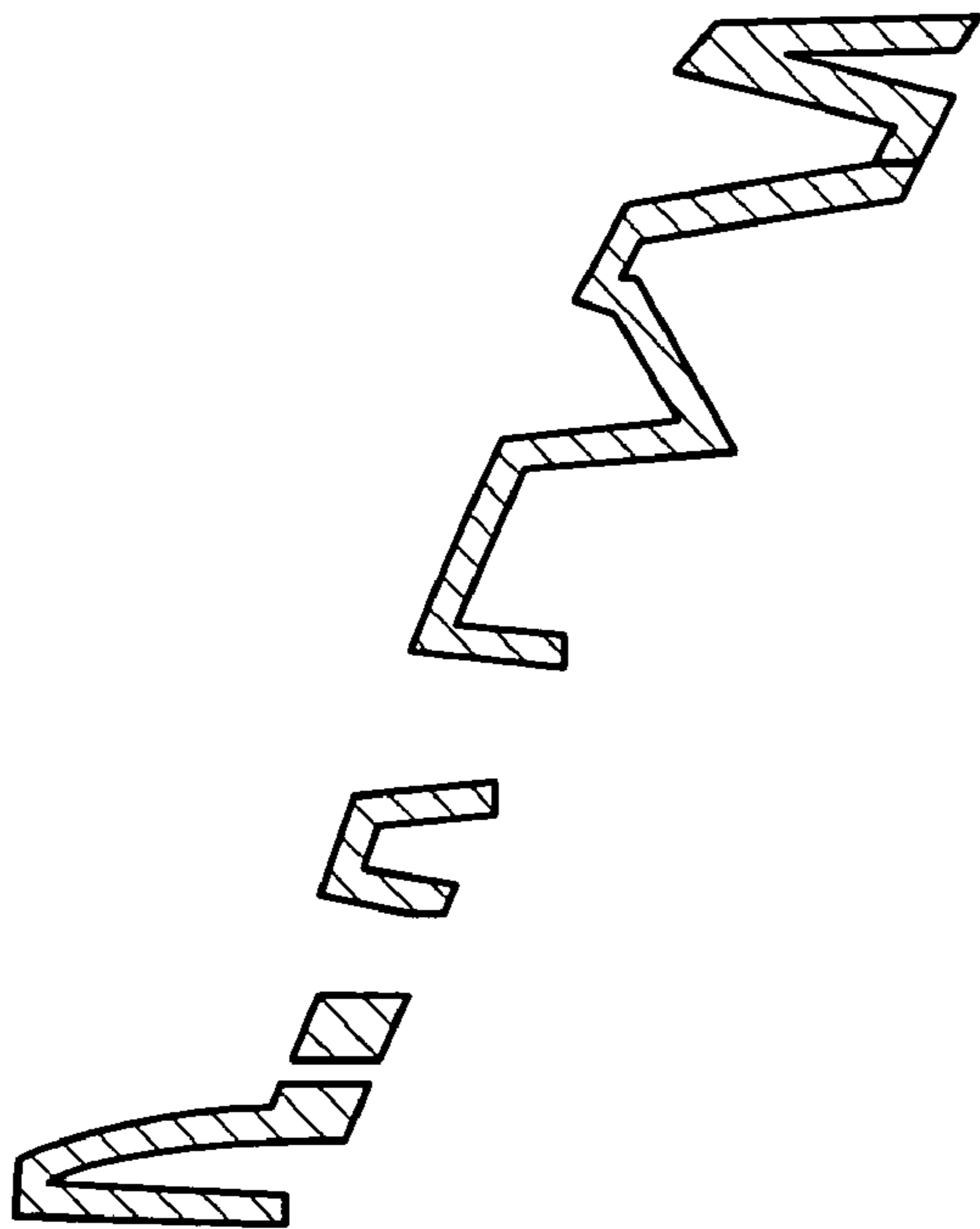
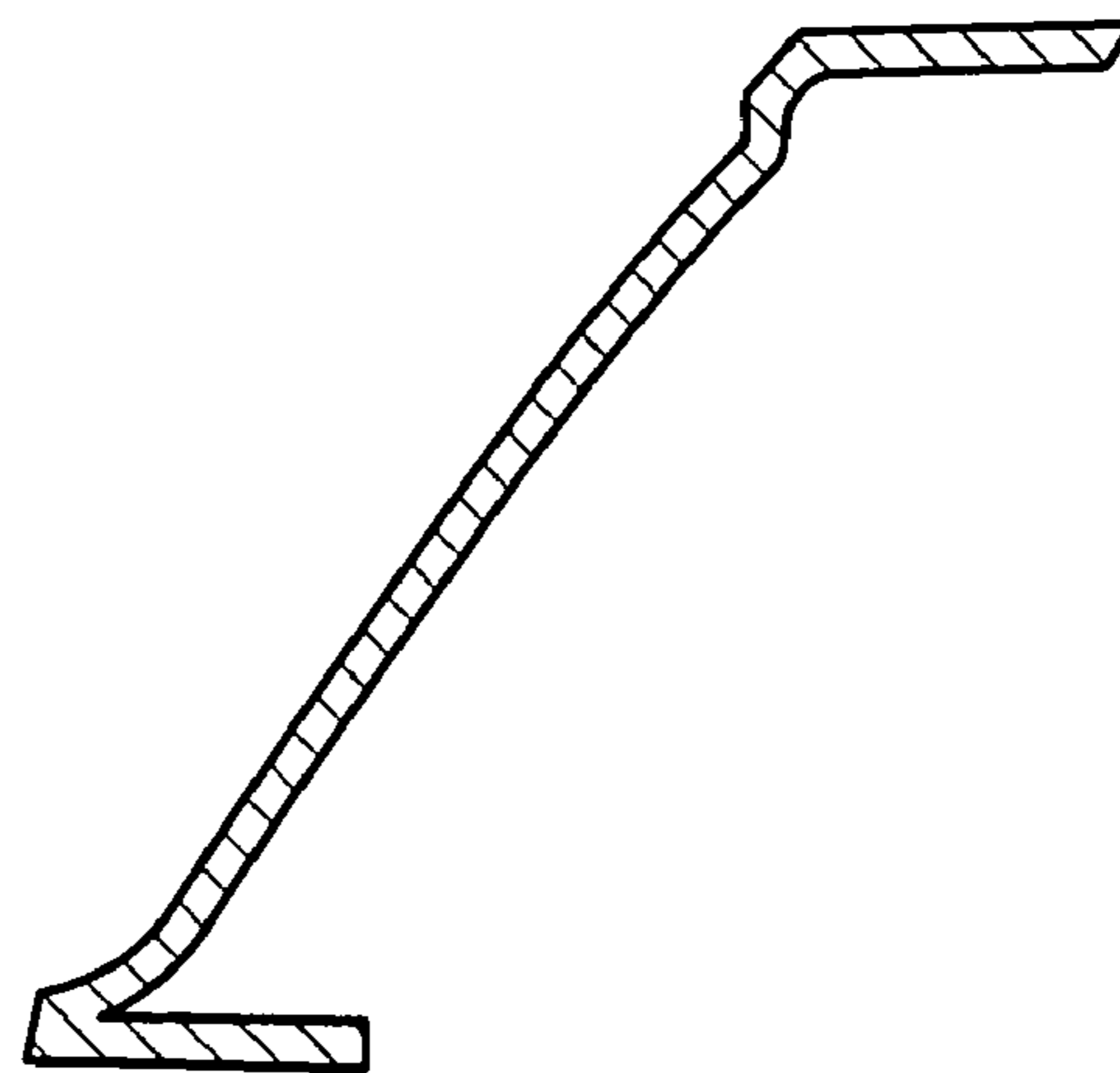


Fig.10



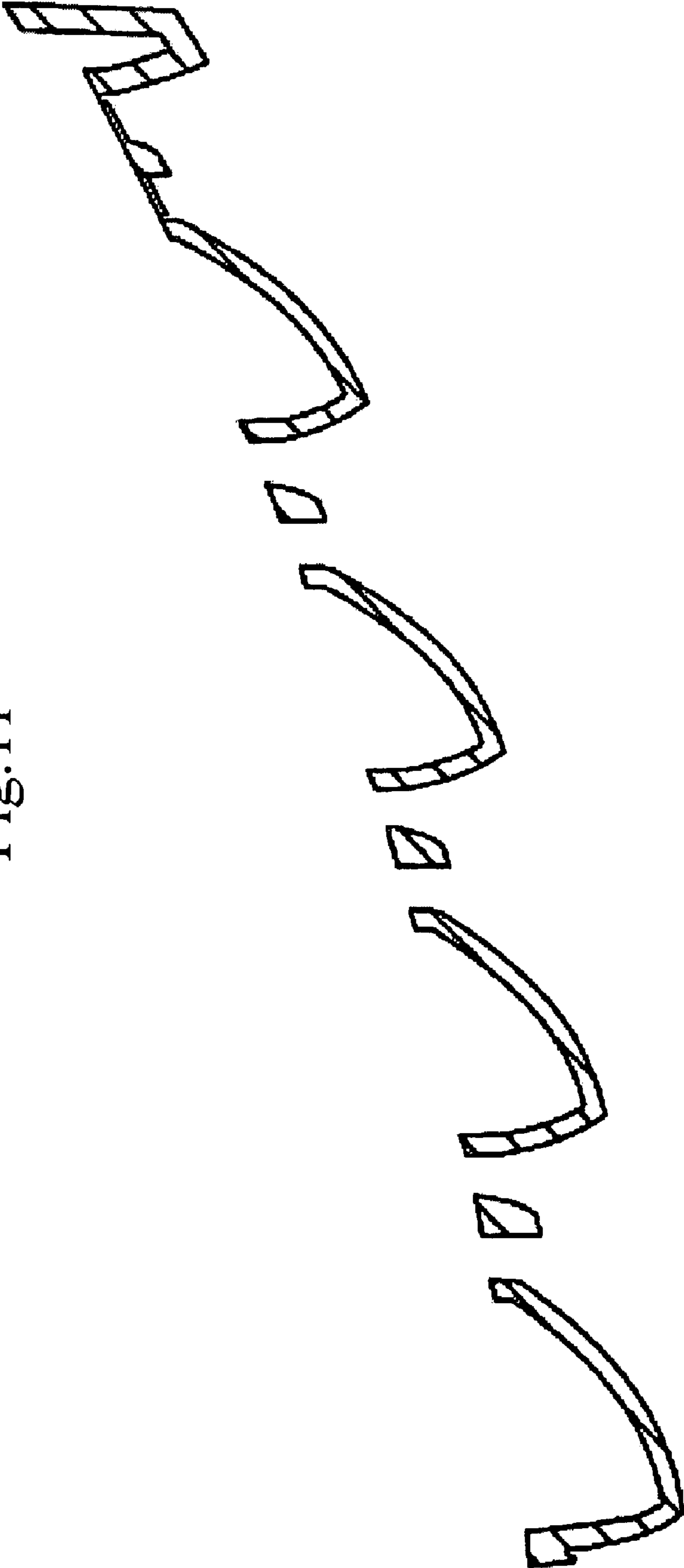


Fig.11