

US00D570258S

(12) **United States Design Patent**
Smith et al.

(10) **Patent No.:** **US D570,258 S**
(45) **Date of Patent:** **** Jun. 3, 2008**

(54) **AUTOMOTIVE GRILLE**

(75) Inventors: **Michael Smith**, Plymouth, MI (US);
Edward Golden, Pinckney, MI (US);
Craig Metros, Bloomfield, MI (US);
Jeffrey Nowak, Huntington Woods, MI
(US); **Steven Gilmore**, Redford, MI
(US)

(73) Assignee: **Ford Global Technologies, LLC**,
Dearborn, MI (US)

(**) Term: **14 Years**

(21) Appl. No.: **29/259,463**

(22) Filed: **May 9, 2006**

(51) **LOC (8) Cl.** **12-16**

(52) **U.S. Cl.** **D12/163**

(58) **Field of Classification Search** D12/90-92,
D12/163, 164, 166, 167, 170, 171, 173, 216;
180/68.1, 68.6; 296/193.1, 193.11

See application file for complete search history.

(56) **References Cited**

U.S. PATENT DOCUMENTS

D471,846 S *	3/2003	Pfeiffer et al.	D12/163
D519,890 S *	5/2006	Sakae	D12/163
D524,198 S *	7/2006	Fukuda et al.	D12/163
D524,199 S *	7/2006	Fukuda et al.	D12/163
D525,177 S *	7/2006	Kitazumi	D12/163
D526,941 S *	8/2006	Yamashita	D12/163
D532,723 S *	11/2006	Schiavone et al.	D12/163
D532,724 S *	11/2006	Schiavone et al.	D12/163
D533,119 S *	12/2006	Schiavone et al.	D12/163
D533,485 S *	12/2006	Schiavone et al.	D12/163
D535,224 S *	1/2007	Kubota et al.	D12/163
D539,196 S *	3/2007	Pfeiffer	D12/163

D539,709 S *	4/2007	Woodhouse et al.	D12/163
D541,707 S *	5/2007	Komuro	D12/163
D547,705 S *	7/2007	Marchese et al.	D12/163
D557,184 S *	12/2007	Janik	D12/163
D558,103 S *	12/2007	Bucher et al.	D12/163
D558,104 S *	12/2007	Hieke	D12/163

* cited by examiner

Primary Examiner—Sandra Snapp

(74) *Attorney, Agent, or Firm*—Damian Porcari; Brooks
Kushman P.C.

(57) **CLAIM**

The ornamental design for an automotive grille, as shown
and described.

DESCRIPTION

FIG. 1 is a front/right side perspective view of an automotive
grille in accordance with the present invention, wherein the
front/left side perspective view is a mirror image thereof;

FIG. 2 is a right side perspective view of the automotive
grille, wherein the left side perspective view is a mirror
image thereof;

FIG. 3 is a front perspective view of the automotive grille;

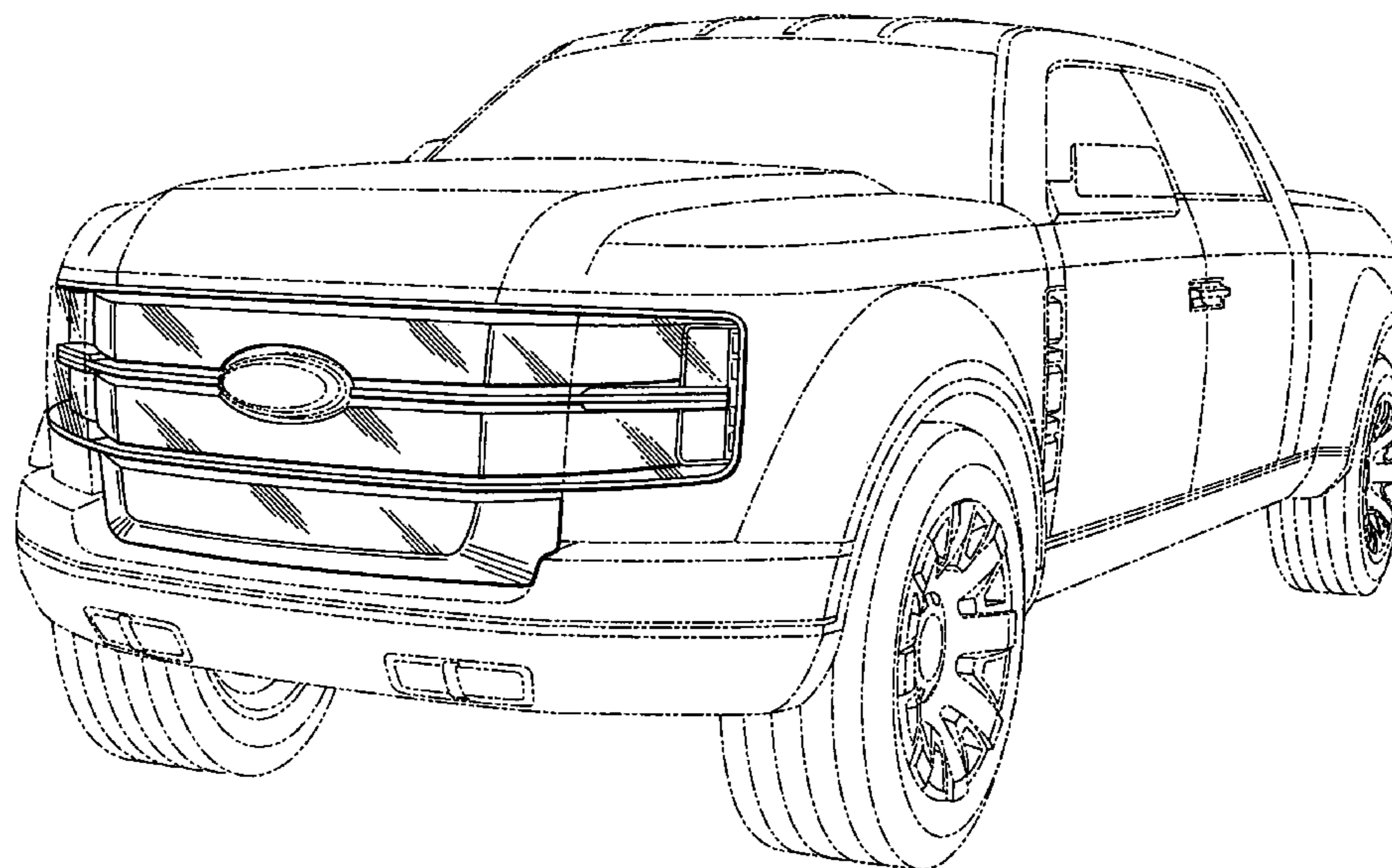
FIG. 4 is a top plan view of the automotive grille;

FIG. 5 is a rear/right side perspective view of the automotive
grille, wherein the rear/left side perspective view is a mirror
image thereof; and,

FIG. 6 is a top/right side perspective view of the automotive
grille, wherein the top/left side perspective view is a mirror
image thereof.

The broken lines are for illustrative purposes only and form
no part of the claimed design.

1 Claim, 6 Drawing Sheets



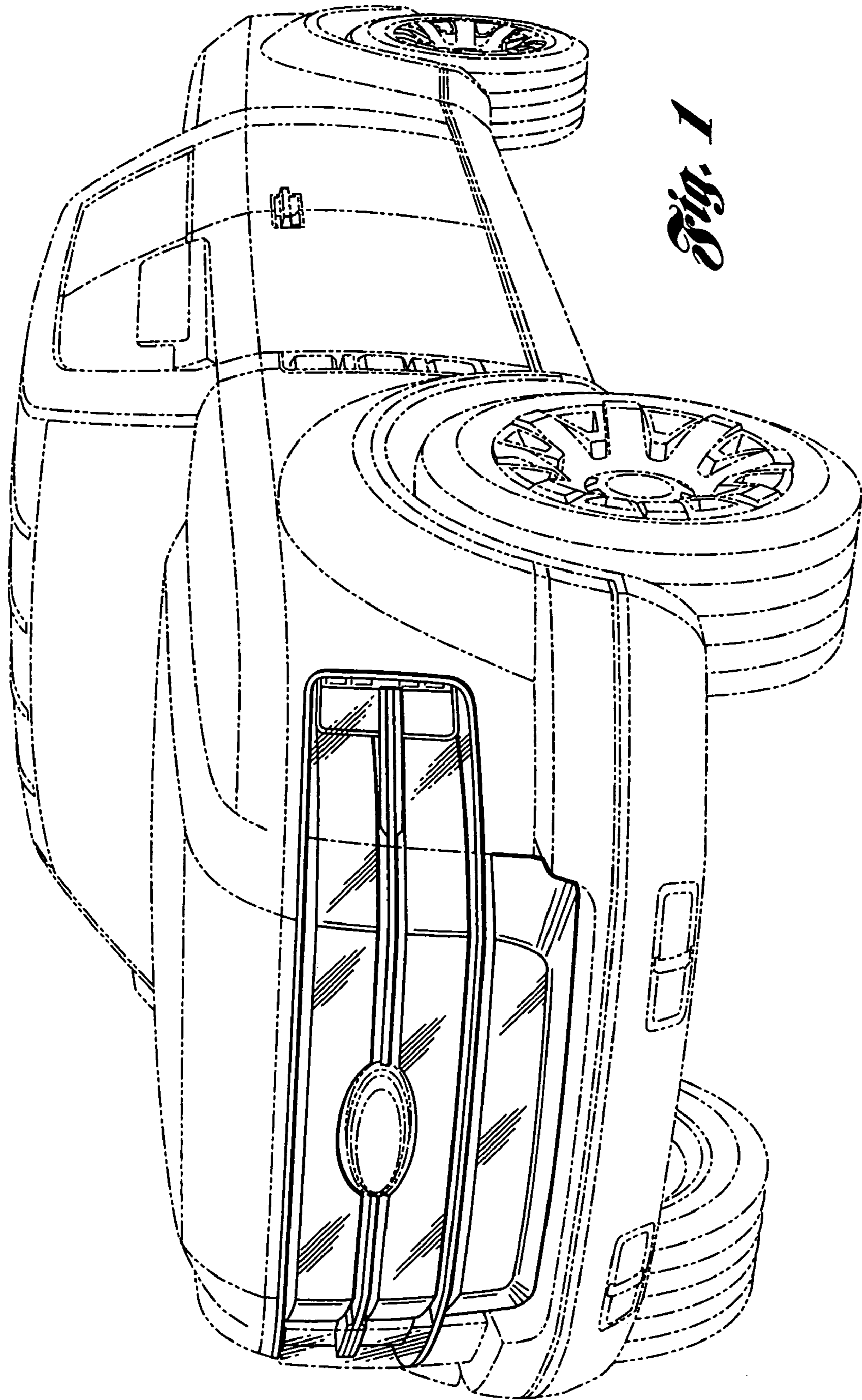


Fig. 1

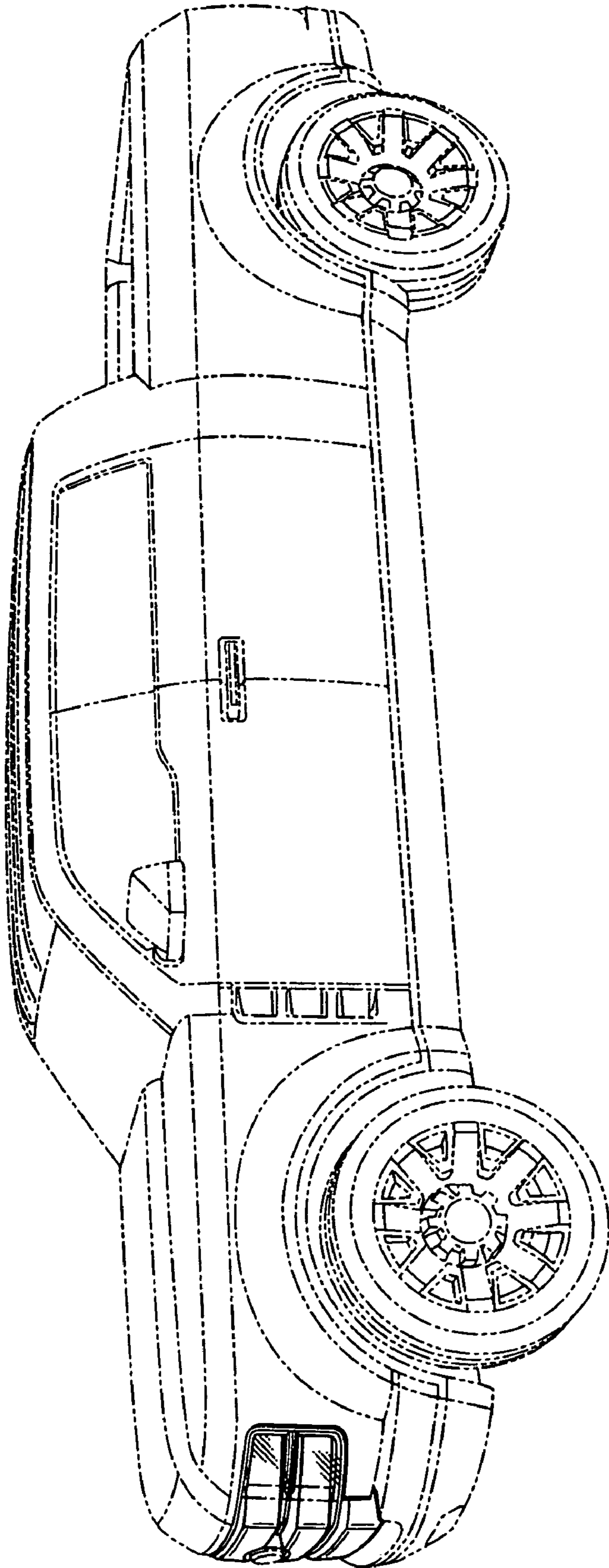


Fig. 2

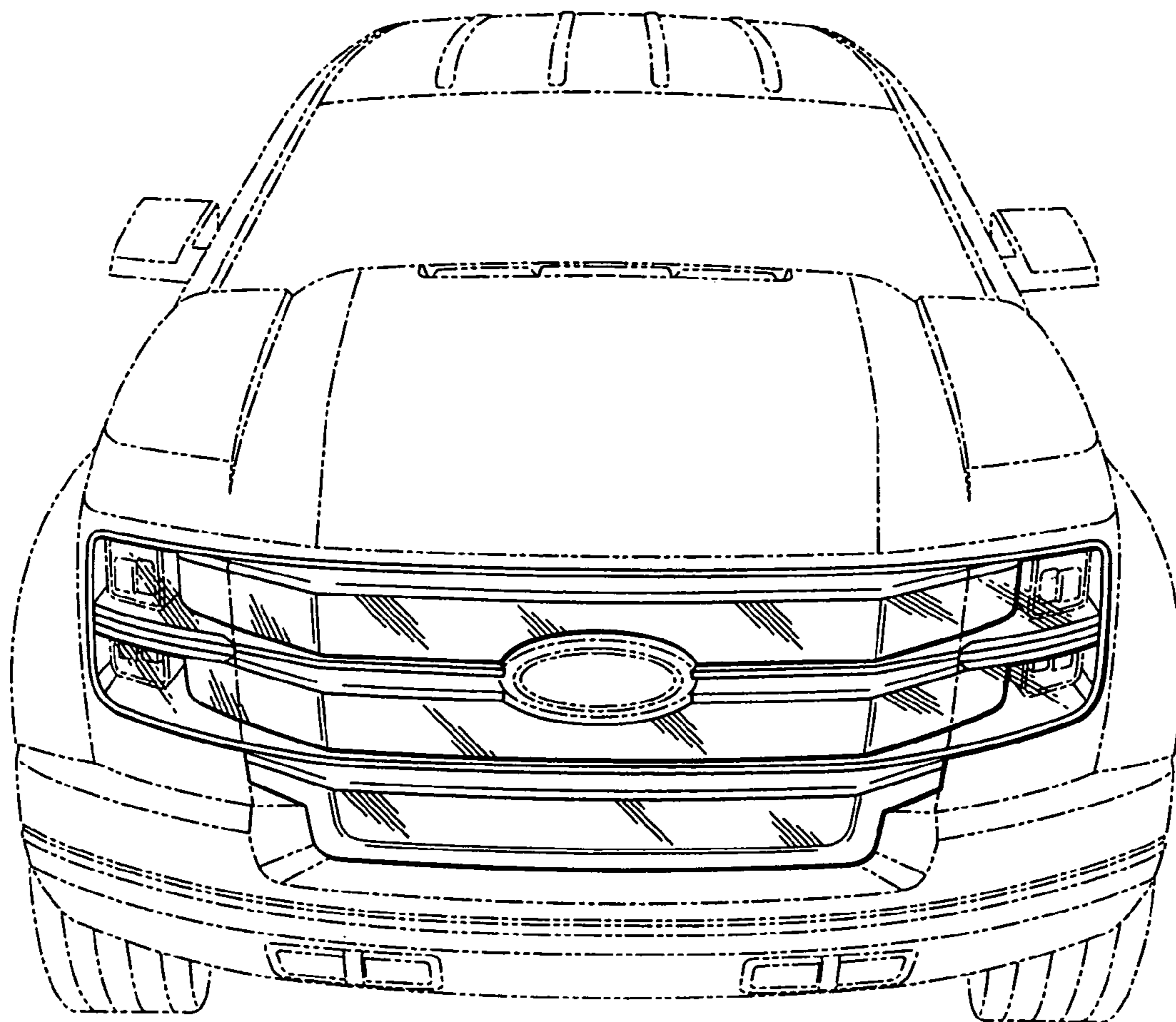


Fig. 3

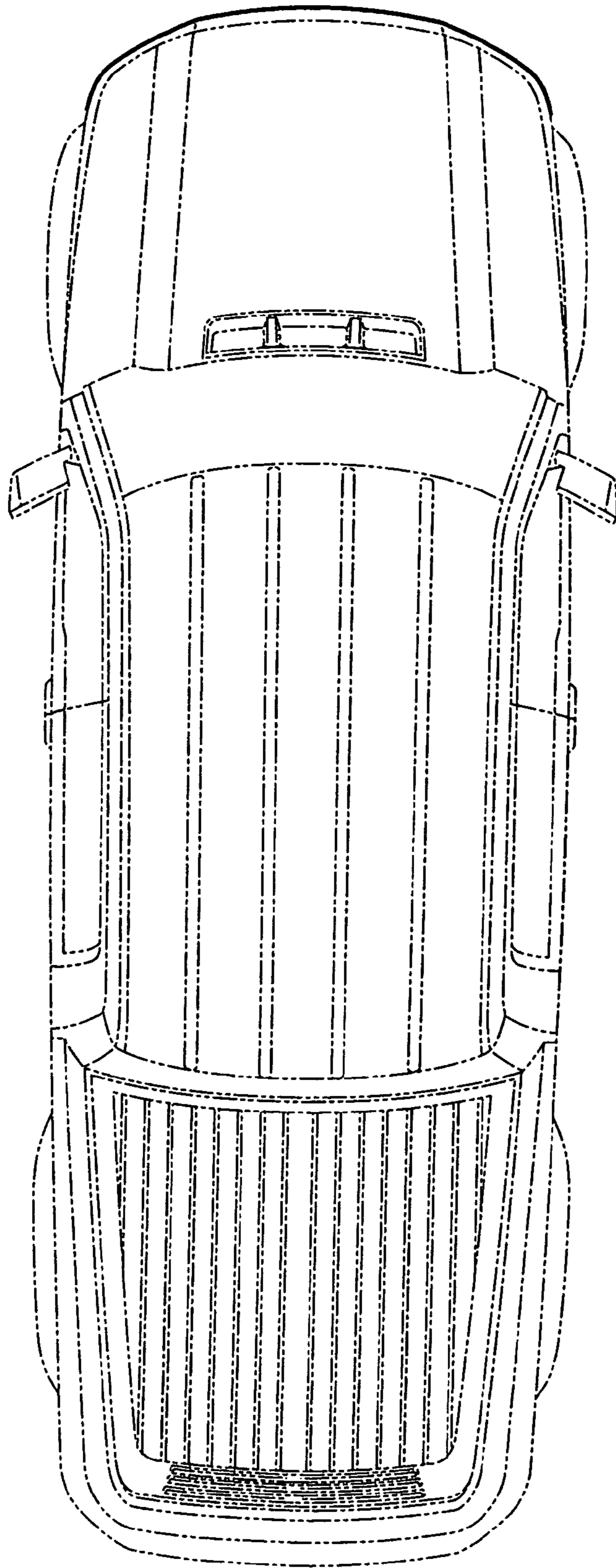


Fig. 4

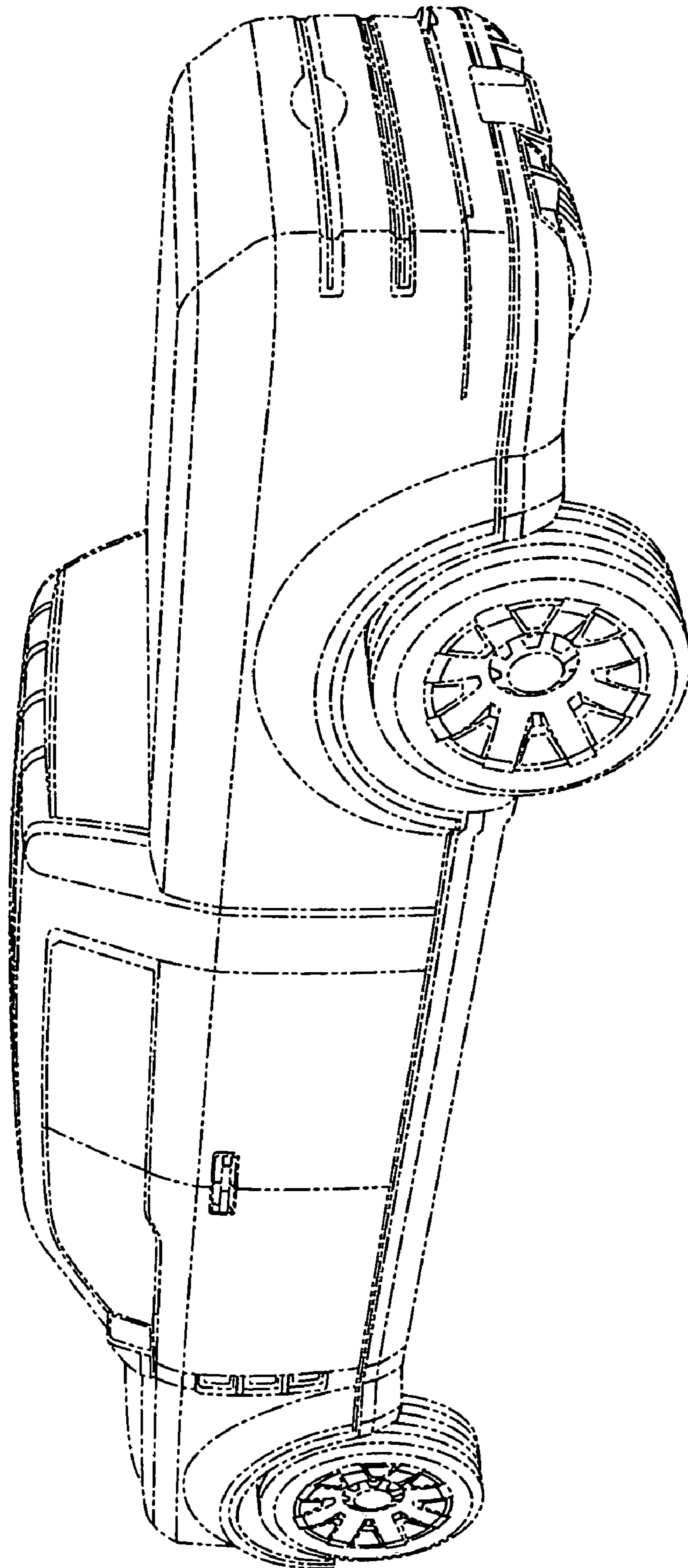


Fig. 5

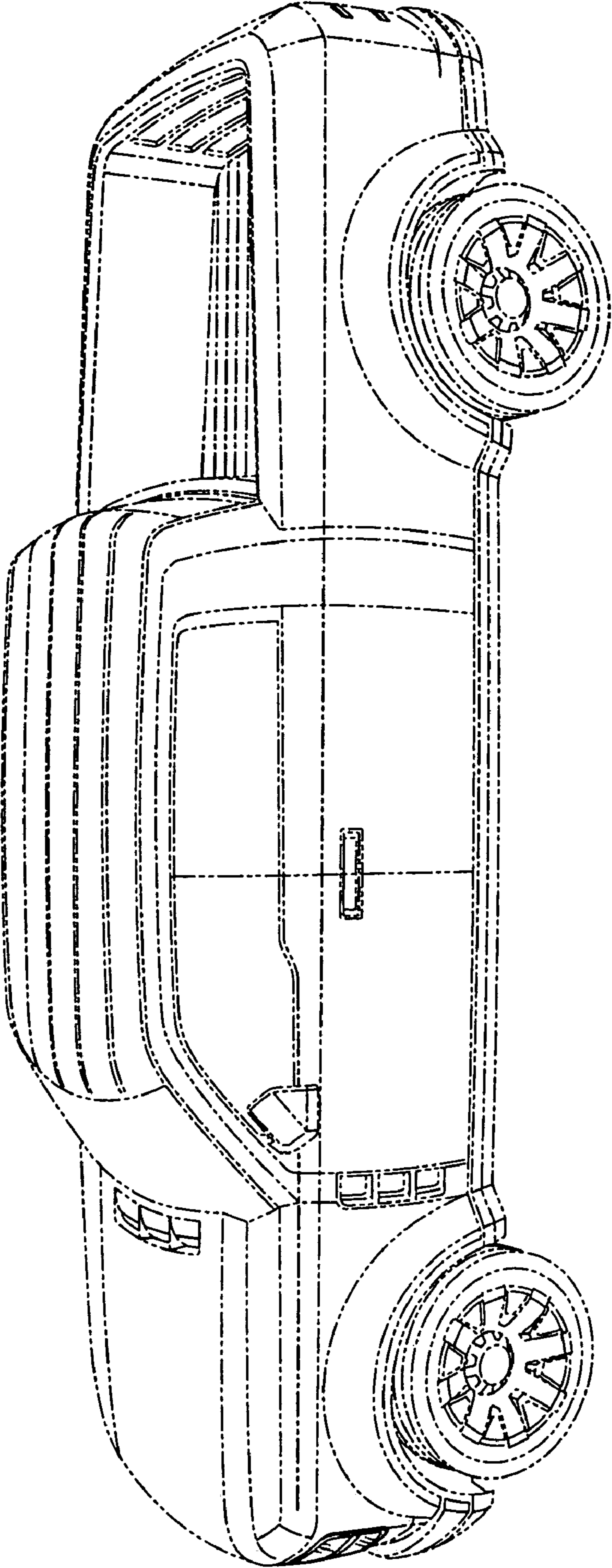


Fig. 6