

US00D570252S

(12) **United States Design Patent**  
**Peters et al.**

(10) **Patent No.:** **US D570,252 S**  
(45) **Date of Patent:** **\*\* Jun. 3, 2008**

(54) **VEHICLE BODY**

D488,099 S \* 4/2004 Lange ..... D12/92  
D500,263 S \* 12/2004 Donckerwolke ..... D12/92

(75) Inventors: **Thomas V Peters**, Bloomfield Hills, MI (US); **Sang Yup Lee**, Beverly Hills, MI (US); **Steve Kim**, Shelby Township, MI (US); **Vladimir Kapitonov**, Novi, MI (US)

\* cited by examiner

*Primary Examiner*—Melody N. Brown

(73) Assignee: **GM Global Technology Operations, Inc.**, Detroit, MI (US)

(57) **CLAIM**

The ornamental design for a vehicle body, as shown and described.

(\*\*) Term: **14 Years**

**DESCRIPTION**

(21) Appl. No.: **29/251,419**

FIG. 1 is a front view of a vehicle body showing the new design;

(22) Filed: **Jan. 6, 2006**

FIG. 2 is a front perspective view thereof;

(51) **LOC (8) Cl.** ..... **12-08**

FIG. 3 is a side view of the new design, the other side being a mirror image thereof;

(52) **U.S. Cl.** ..... **D12/92**

(58) **Field of Classification Search** ..... D12/90-92, D12/86; D21/424, 433; 296/181.1  
See application file for complete search history.

FIG. 4 is a rear perspective view thereof;

FIG. 5 is a rear view thereof; and,

FIG. 6 is a top view thereof.

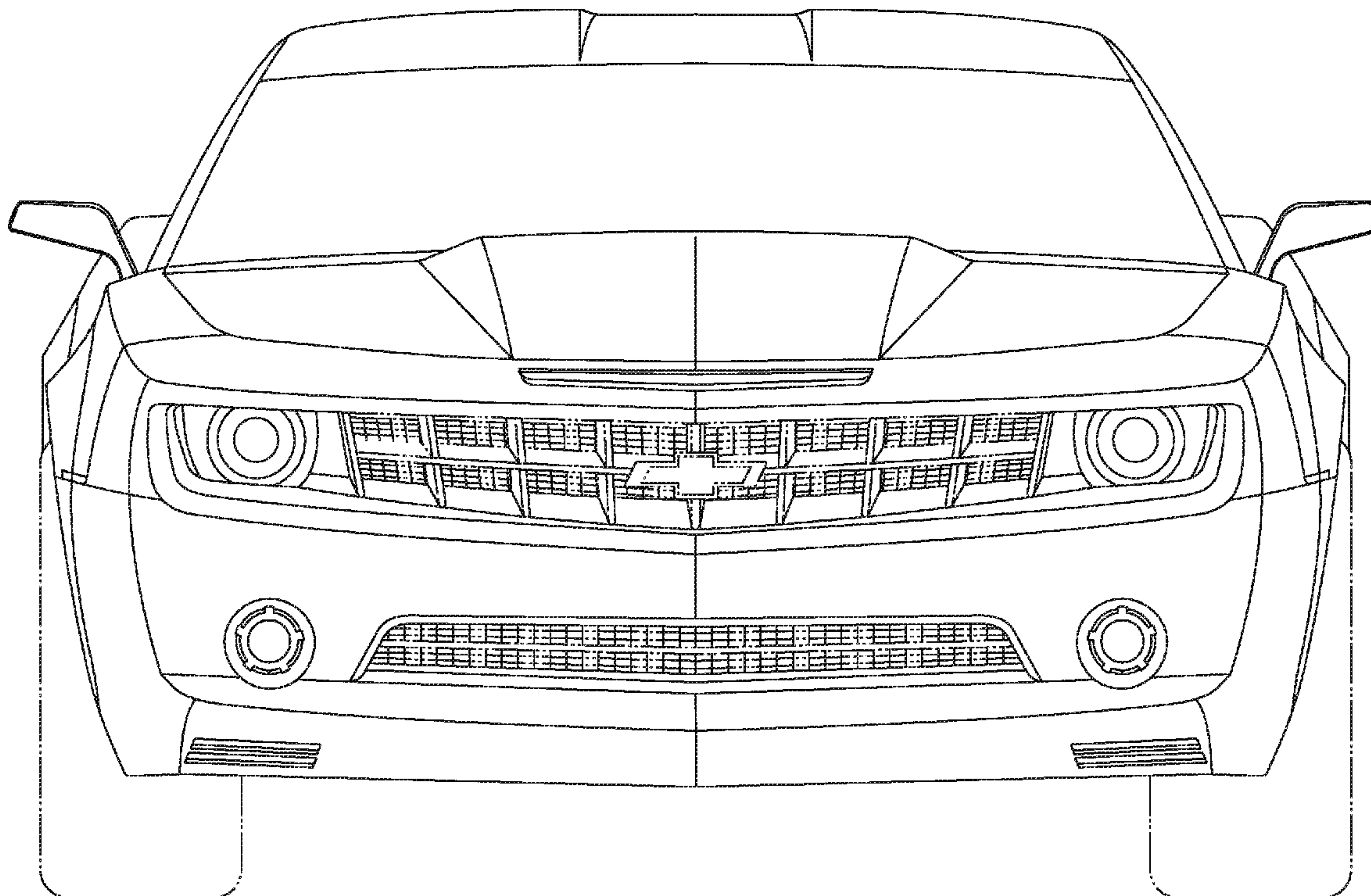
(56) **References Cited**

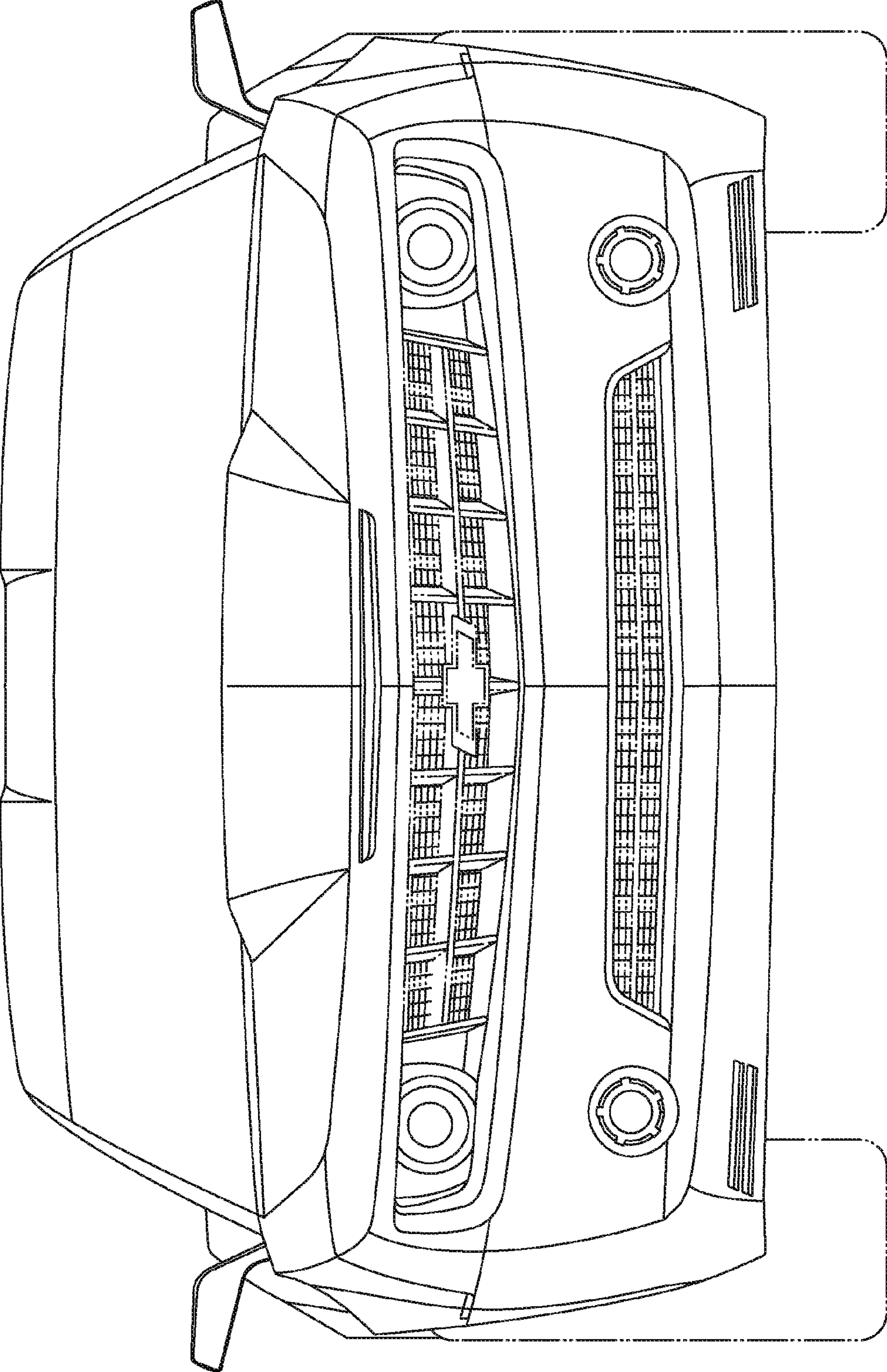
The broken lines are for illustrative purposes only and form no part of the claimed design.

**U.S. PATENT DOCUMENTS**

D414,445 S \* 9/1999 Dehner et al. .... D12/92  
D435,810 S \* 1/2001 Kellogg ..... D12/92

**1 Claim, 6 Drawing Sheets**





*FIG. 1*

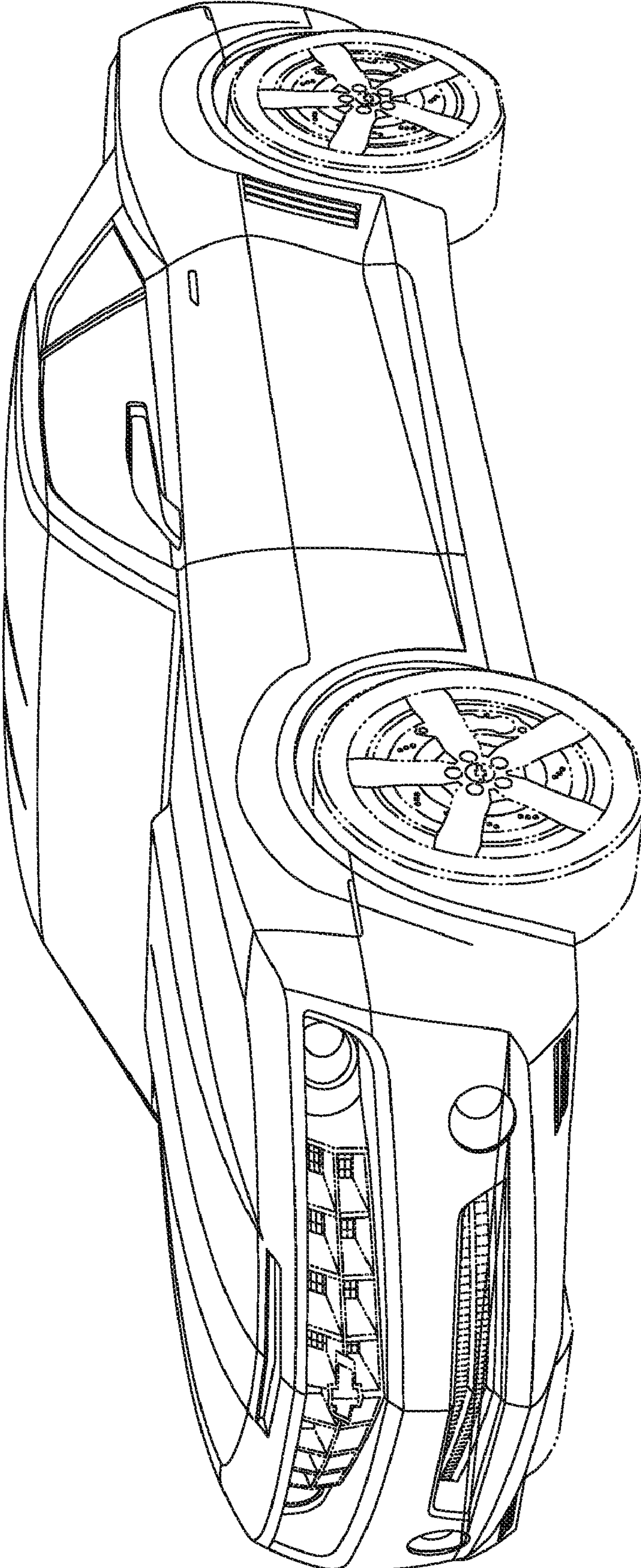


FIG. 2



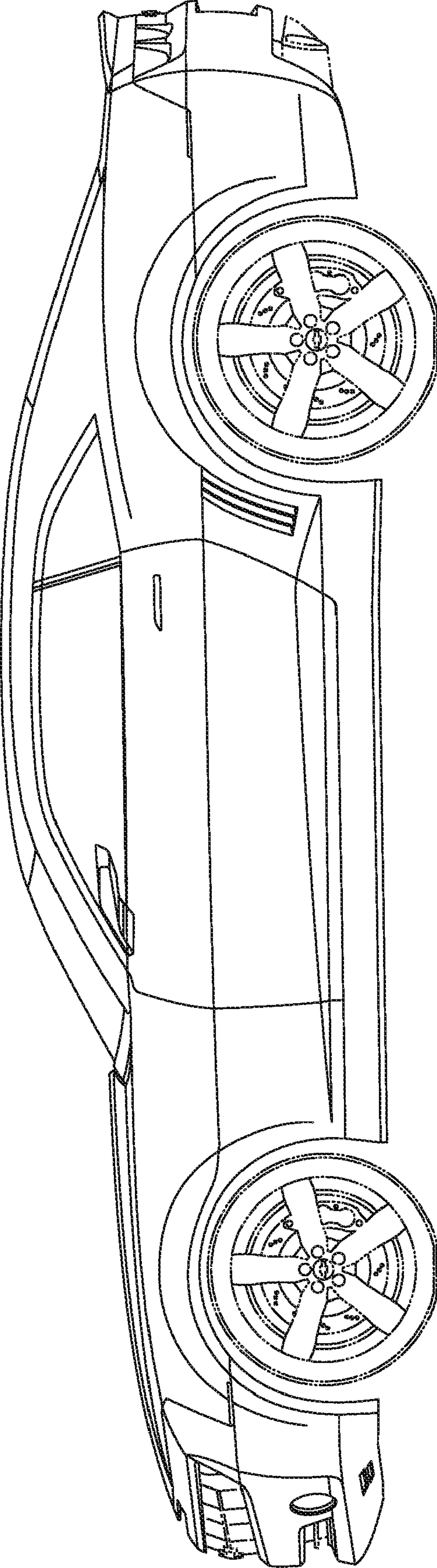


FIG. 3

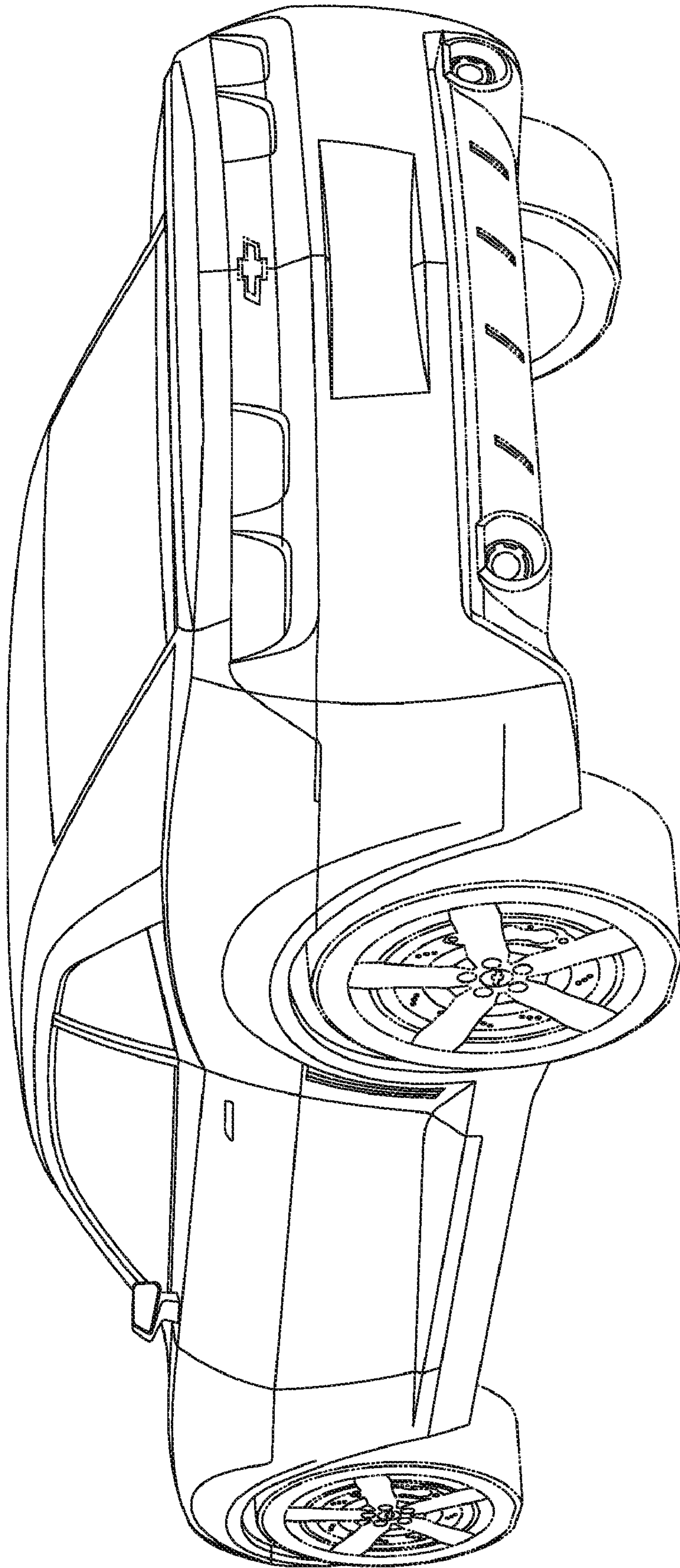


FIG. 4

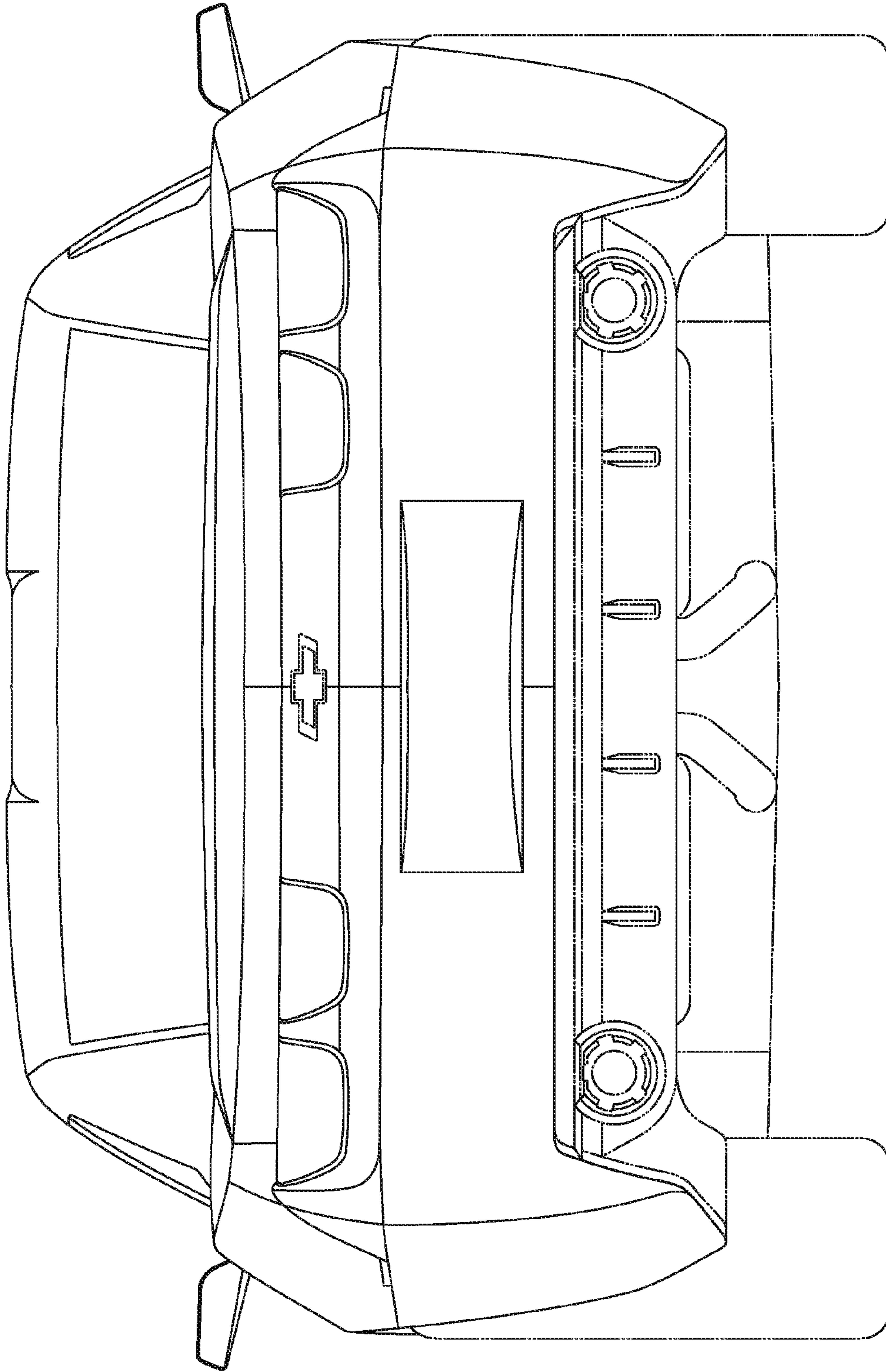
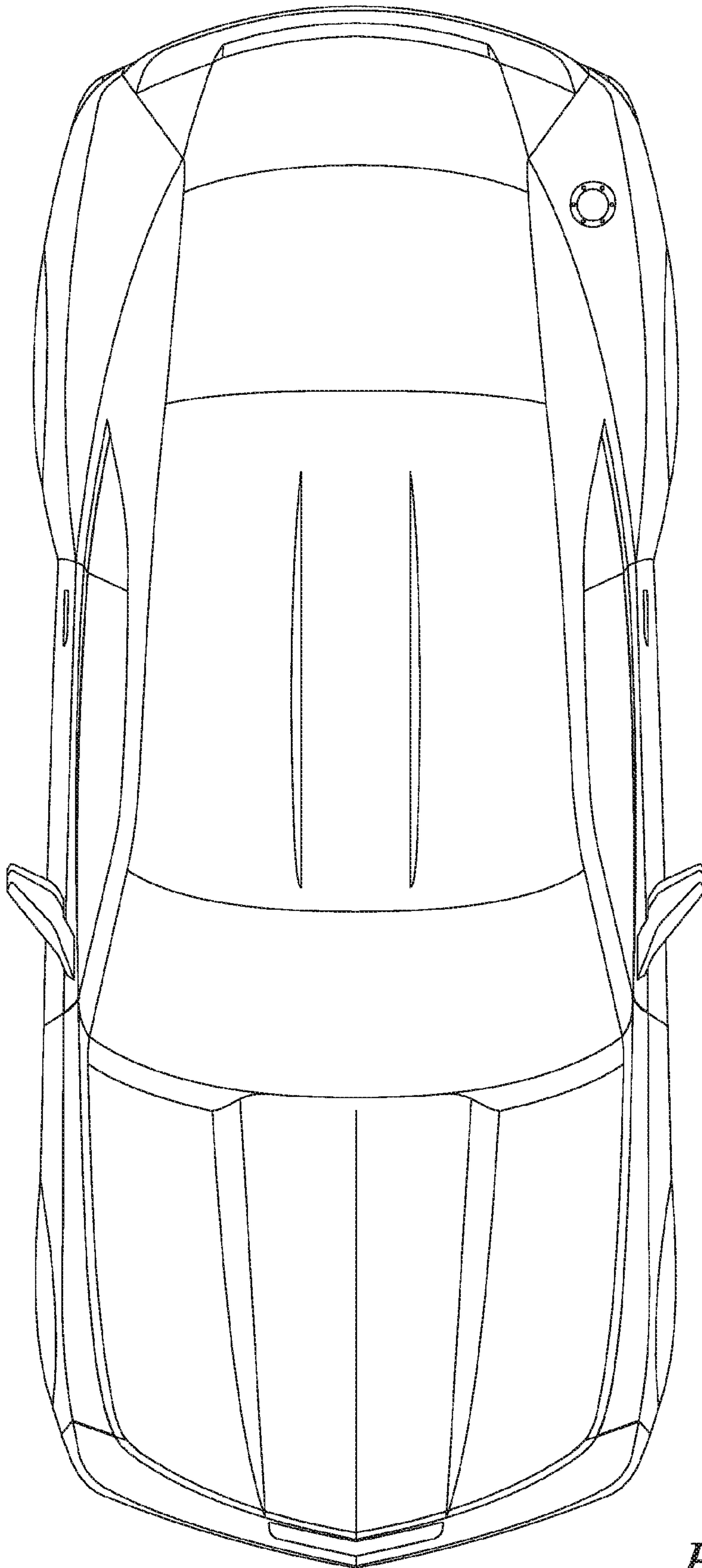


FIG. 5



*FIG. 6*