

US00D570250S

(12) **United States Design Patent**
Nakamura

(10) **Patent No.:** **US D570,250 S**
(45) **Date of Patent:** **** Jun. 3, 2008**

(54) **AUTOMOBILE AND/OR REPLICA THEREOF**

D525,911 S * 8/2006 Taguchi et al. D12/91
D540,216 S * 4/2007 Pfeiffer D12/92
D556,636 S * 12/2007 Pfeiffer D12/91

(75) Inventor: **Katsuhito Nakamura**, Wako (JP)

* cited by examiner

(73) Assignee: **Honda Motor Co., Ltd.**, Tokyo (JP)

Primary Examiner—Melody N. Brown

(**) Term: **14 Years**

(74) *Attorney, Agent, or Firm*—Westerman, Hattori, Daniels & Adrian, LLP.

(21) Appl. No.: **29/280,289**

(22) Filed: **May 23, 2007**

(57) **CLAIM**

(30) **Foreign Application Priority Data**

The ornamental design for an automobile and/or replica thereof, as shown and described.

Nov. 24, 2006 (JP) 2006-032224

DESCRIPTION

(51) **LOC (8) Cl.** **12-08**

FIG. 1 is a front view of the automobile showing my new design;

(52) **U.S. Cl.** **D12/91**

(58) **Field of Classification Search** D12/90–92,
D12/86, 88; D21/424, 433; 296/181.1, 181.5
See application file for complete search history.

FIG. 2 is a rear view of the automobile;

FIG. 3 is a top plan view of the automobile;

FIG. 4 is a right side view of the automobile;

FIG. 5 is a left side view of the automobile;

FIG. 6 is a front perspective view of the automobile showing my new design; and,

FIG. 7 is a rear perspective view of the automobile.

(56) **References Cited**

U.S. PATENT DOCUMENTS

D470,796 S * 2/2003 Nakajima et al. D12/91
D490,019 S * 5/2004 Sakae D12/91
D499,048 S * 11/2004 Tsukahara et al. D12/91
D504,087 S * 4/2005 Hakamata et al. D12/91
D522,407 S * 6/2006 Kim et al. D12/91

1 Claim, 4 Drawing Sheets

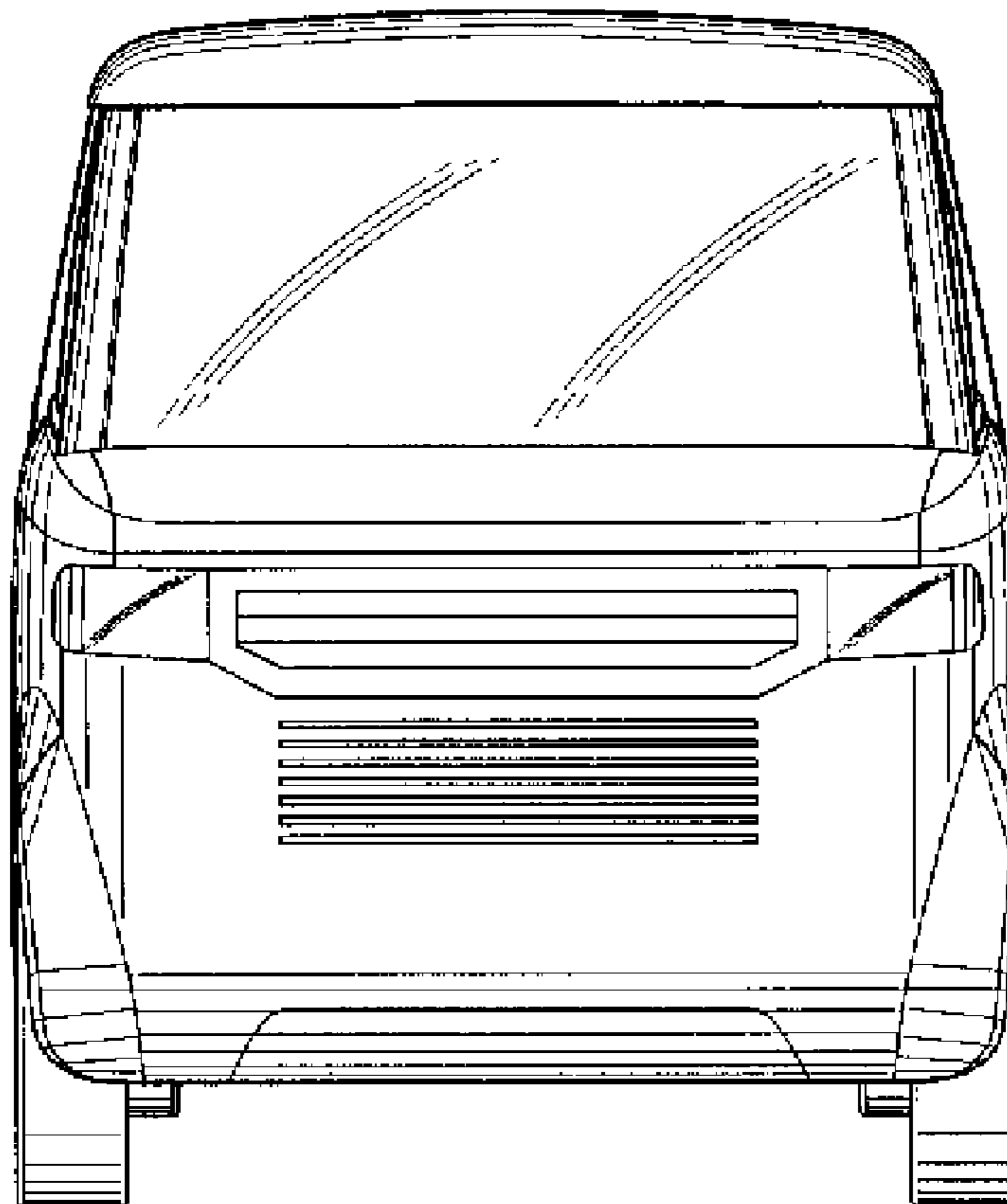


FIG.1

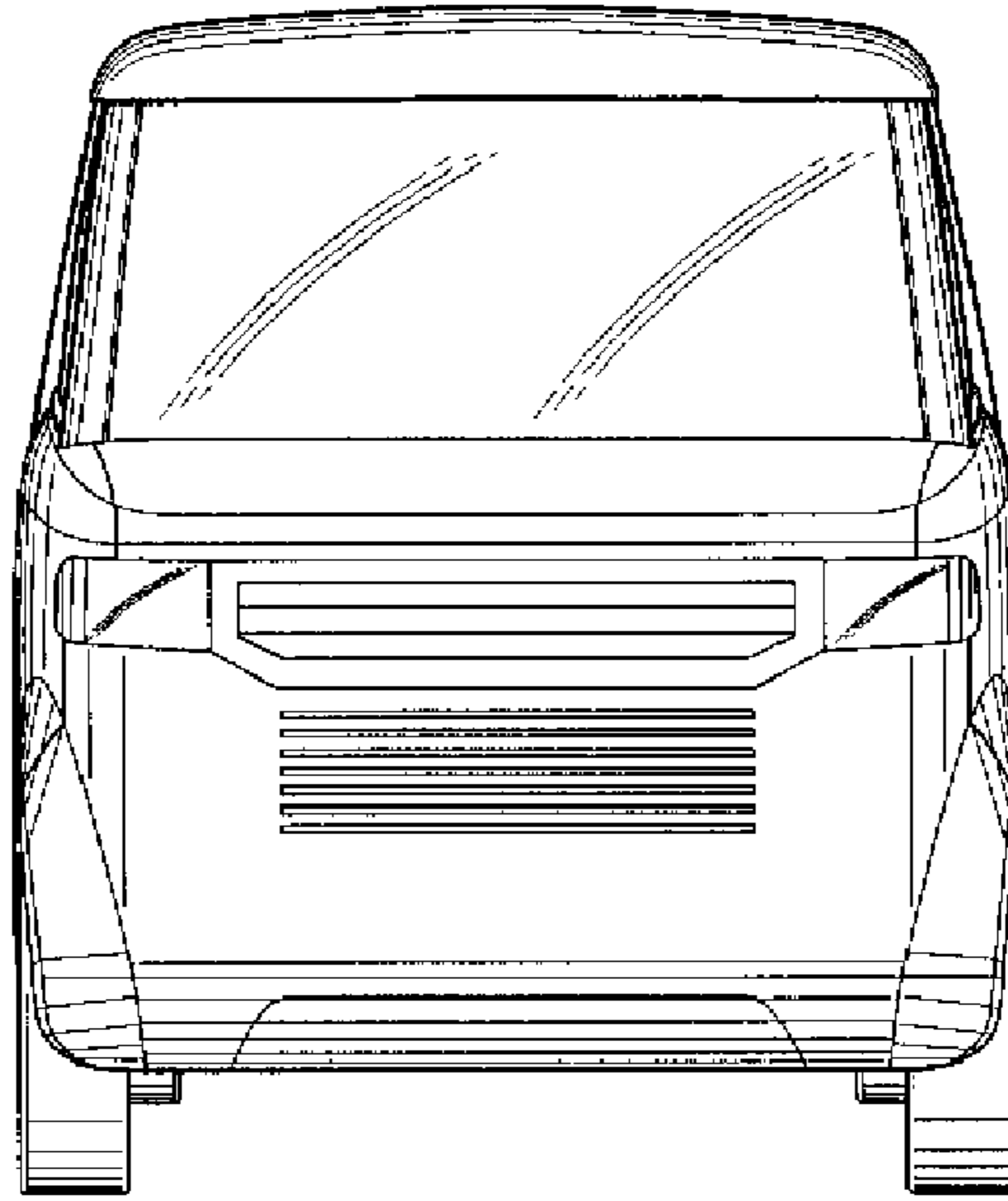


FIG.2

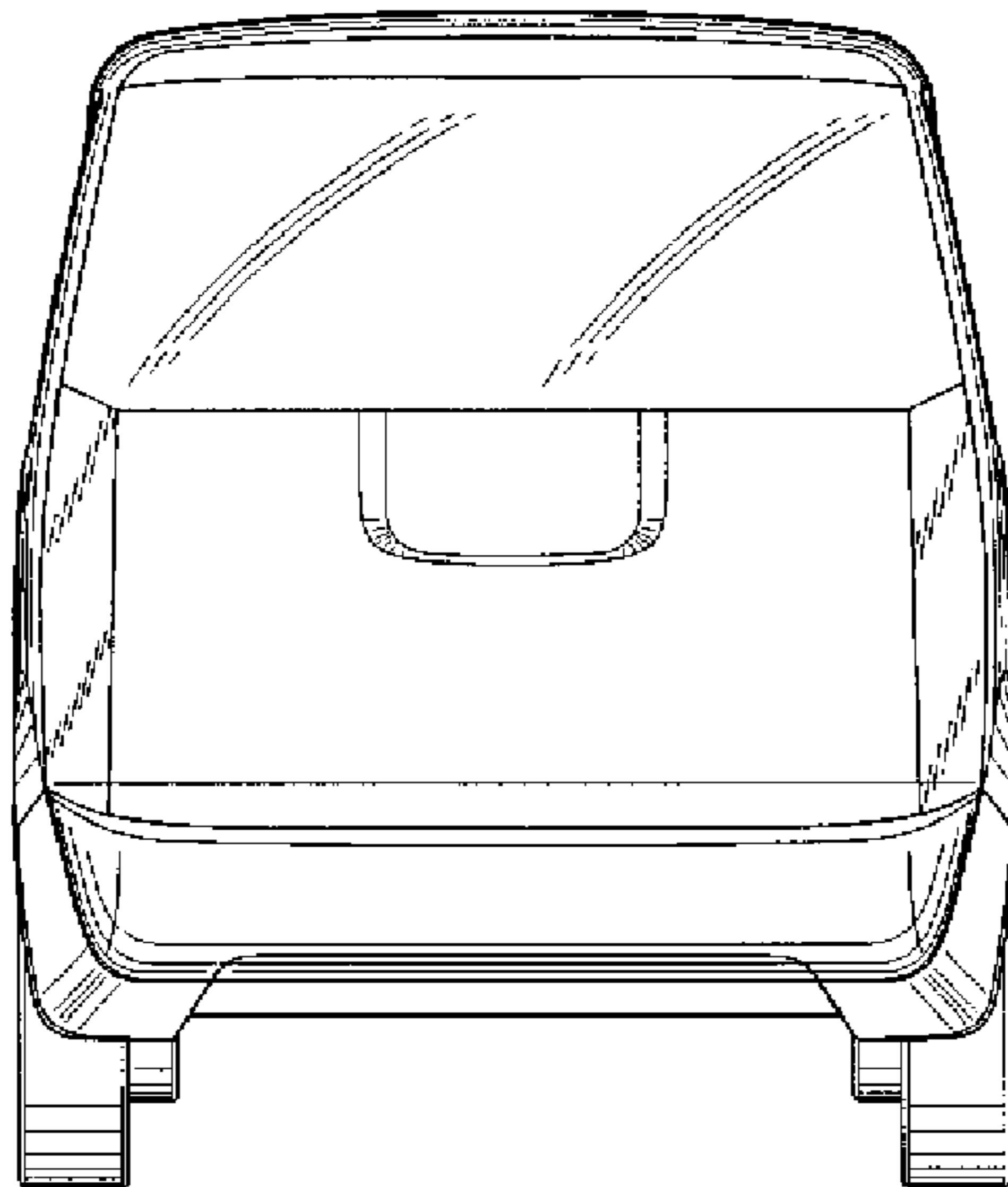


FIG.3

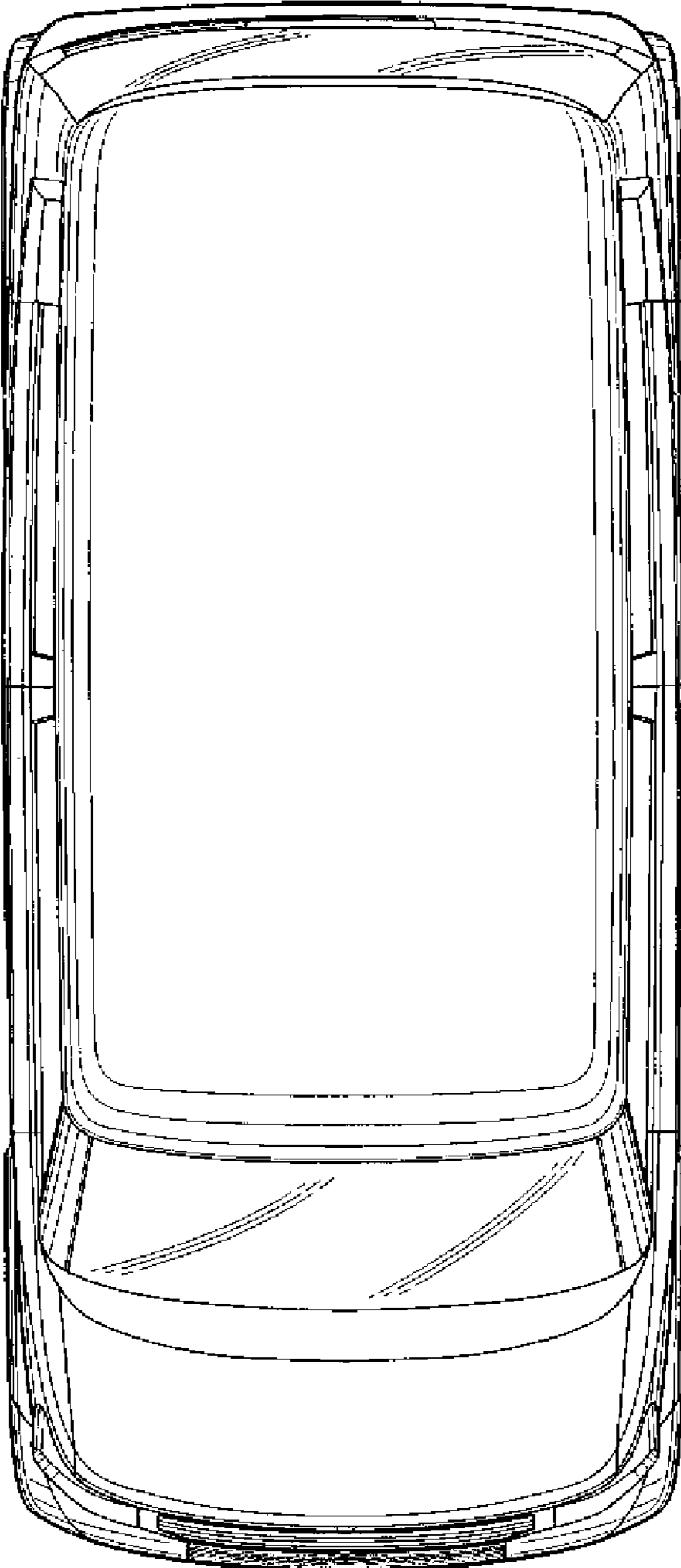


FIG.4

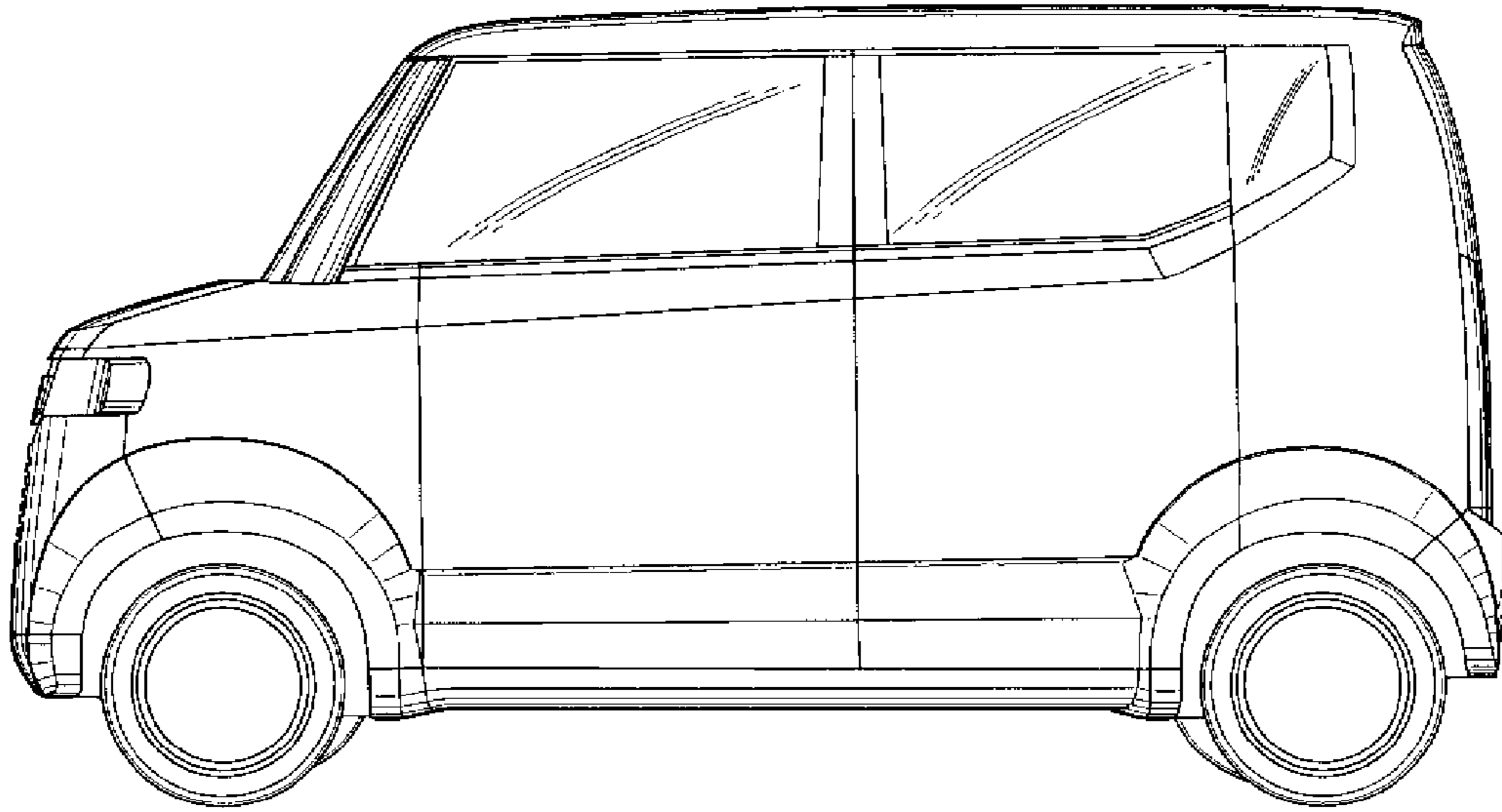


FIG.5

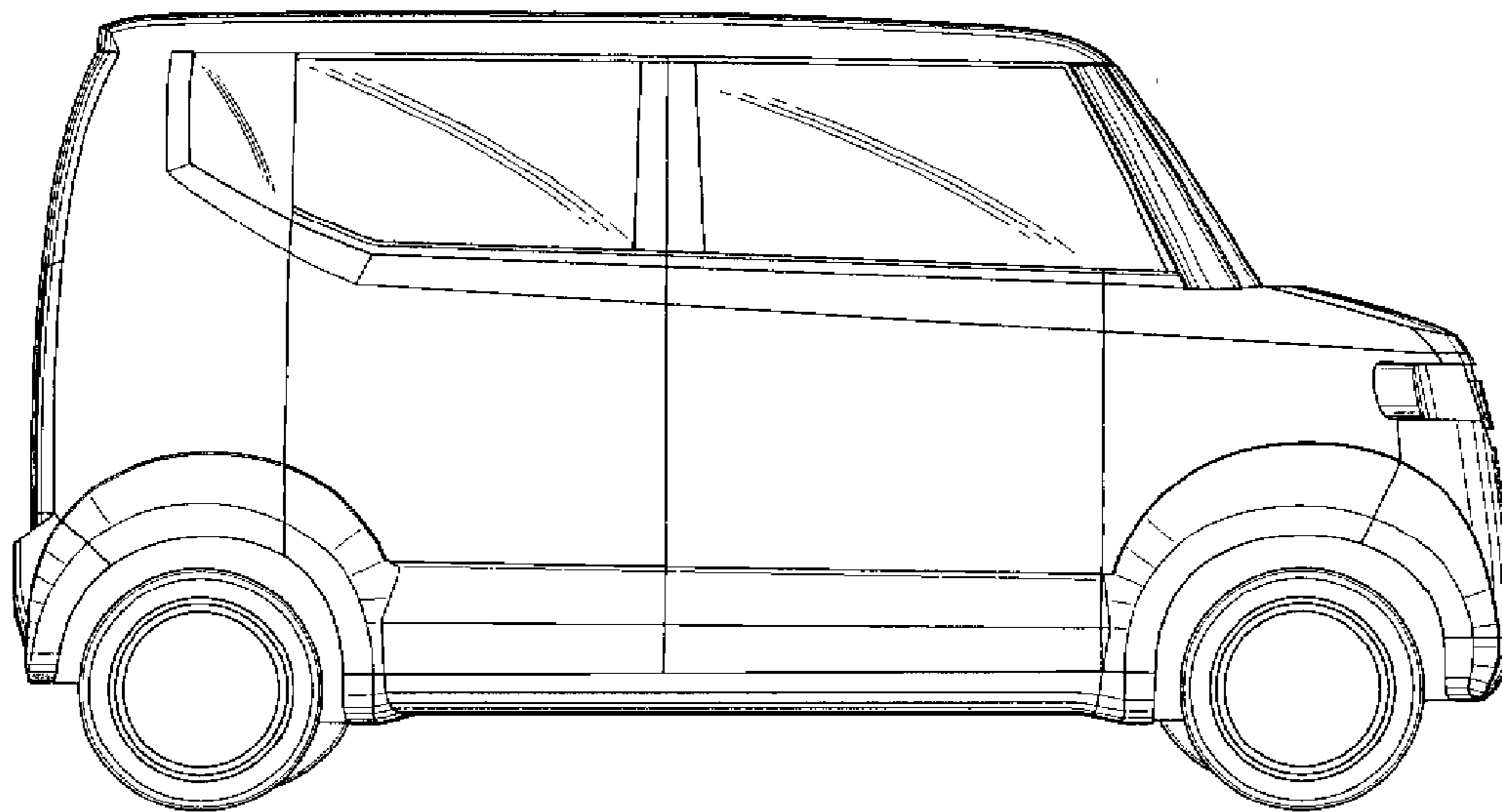


FIG.6

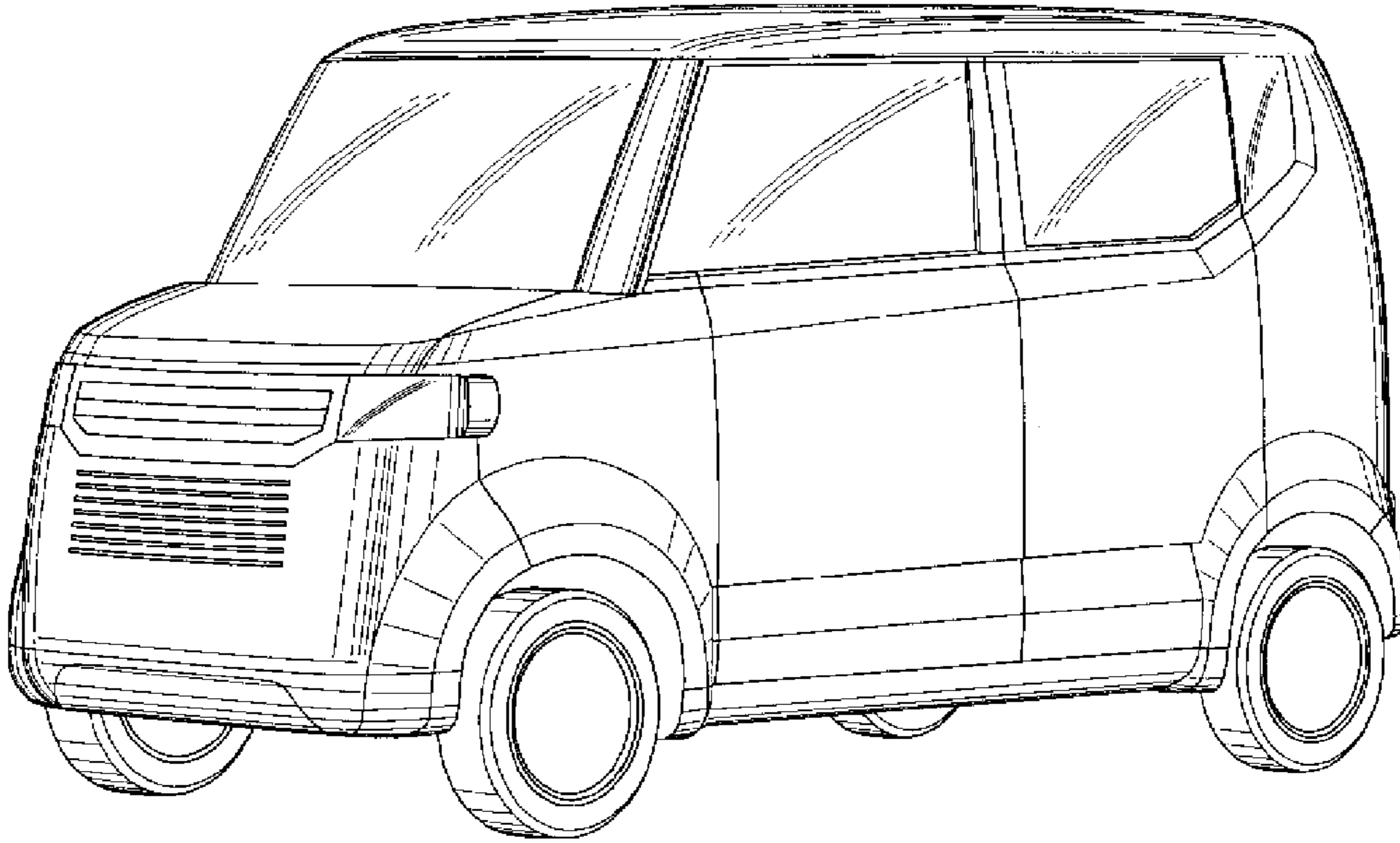


FIG.7

