

US00D570249S

(12) **United States Design Patent**  
**O'Donnell**

(10) **Patent No.:** **US D570,249 S**  
(45) **Date of Patent:** **\*\* Jun. 3, 2008**

(54) **VEHICLE BODY**

D525,566 S \* 7/2006 Thole ..... D12/92  
D532,717 S \* 11/2006 Dolan et al. .... D12/91

(75) Inventor: **Kevin M. O'Donnell**, Birmingham, MI  
(US)

\* cited by examiner

(73) Assignee: **GM Global Technology Operations, Inc.**, Detroit, MI (US)

*Primary Examiner*—Melody N. Brown

(\*\*) Term: **14 Years**

(57) **CLAIM**

(21) Appl. No.: **29/242,636**

The ornamental design for a vehicle body, as shown and described.

(22) Filed: **Nov. 10, 2005**

**DESCRIPTION**

(51) **LOC (8) Cl.** ..... **12-08**

FIG. 1 is a front perspective view of a vehicle body showing the new design;

(52) **U.S. Cl.** ..... **D12/91**

FIG. 2 is a side view thereof, the opposite side being a mirror image thereof; and

(58) **Field of Classification Search** ..... D12/90-92,  
D12/86; 296/181.1, 181.5

FIG. 3 is a rear perspective view thereof; and,

See application file for complete search history.

FIG. 4 is a top plan view thereof.

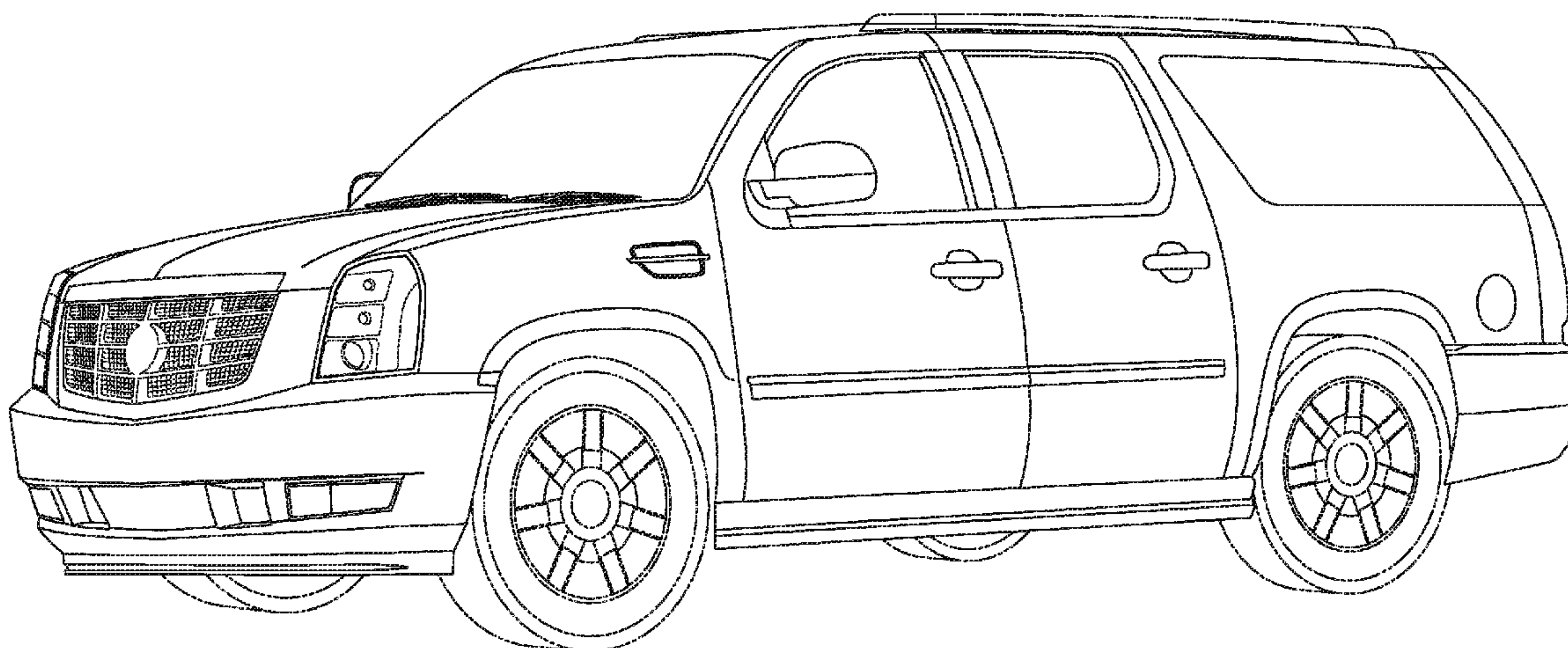
(56) **References Cited**

In the drawing views, the grille, tires, wheels and emblems form no part of the claimed design.

**U.S. PATENT DOCUMENTS**

D516,956 S \* 3/2006 Bucci et al. .... D12/91  
D521,902 S \* 5/2006 Folden ..... D12/91

**1 Claim, 4 Drawing Sheets**



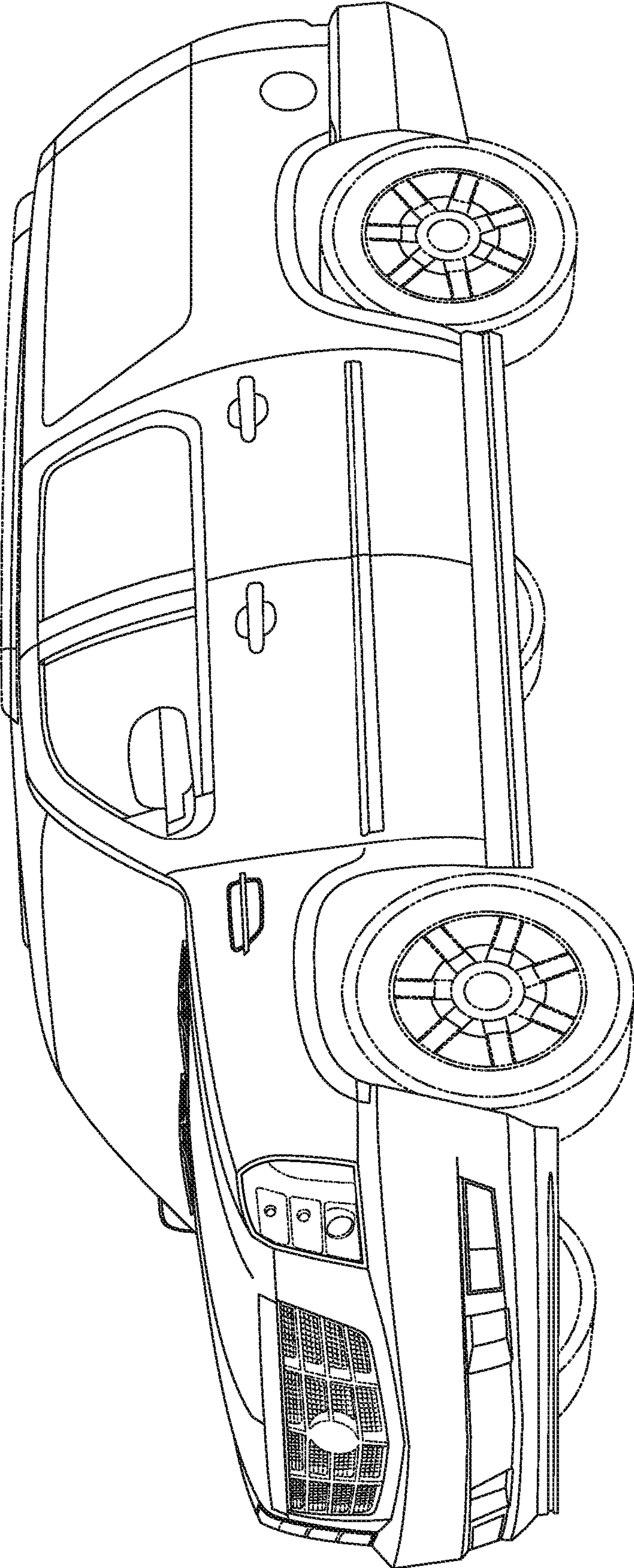


FIG. 1

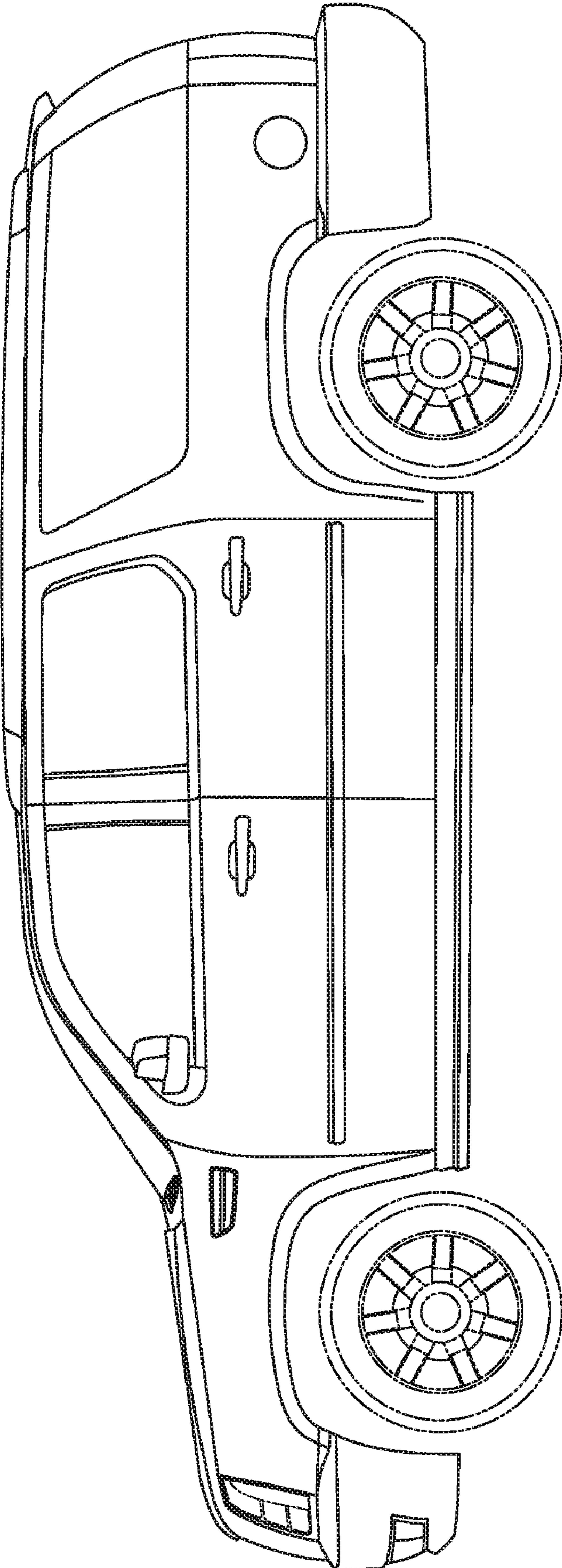


FIG. 2



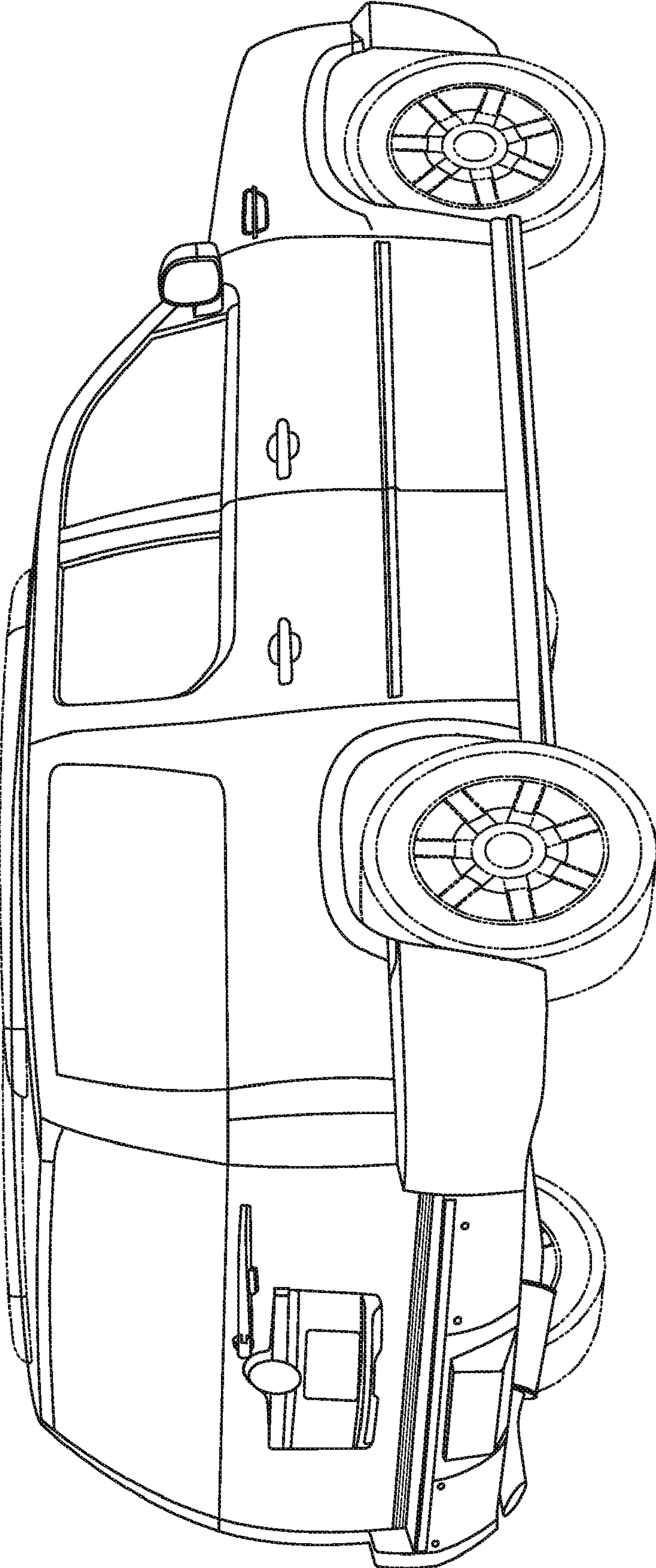


FIG. 3

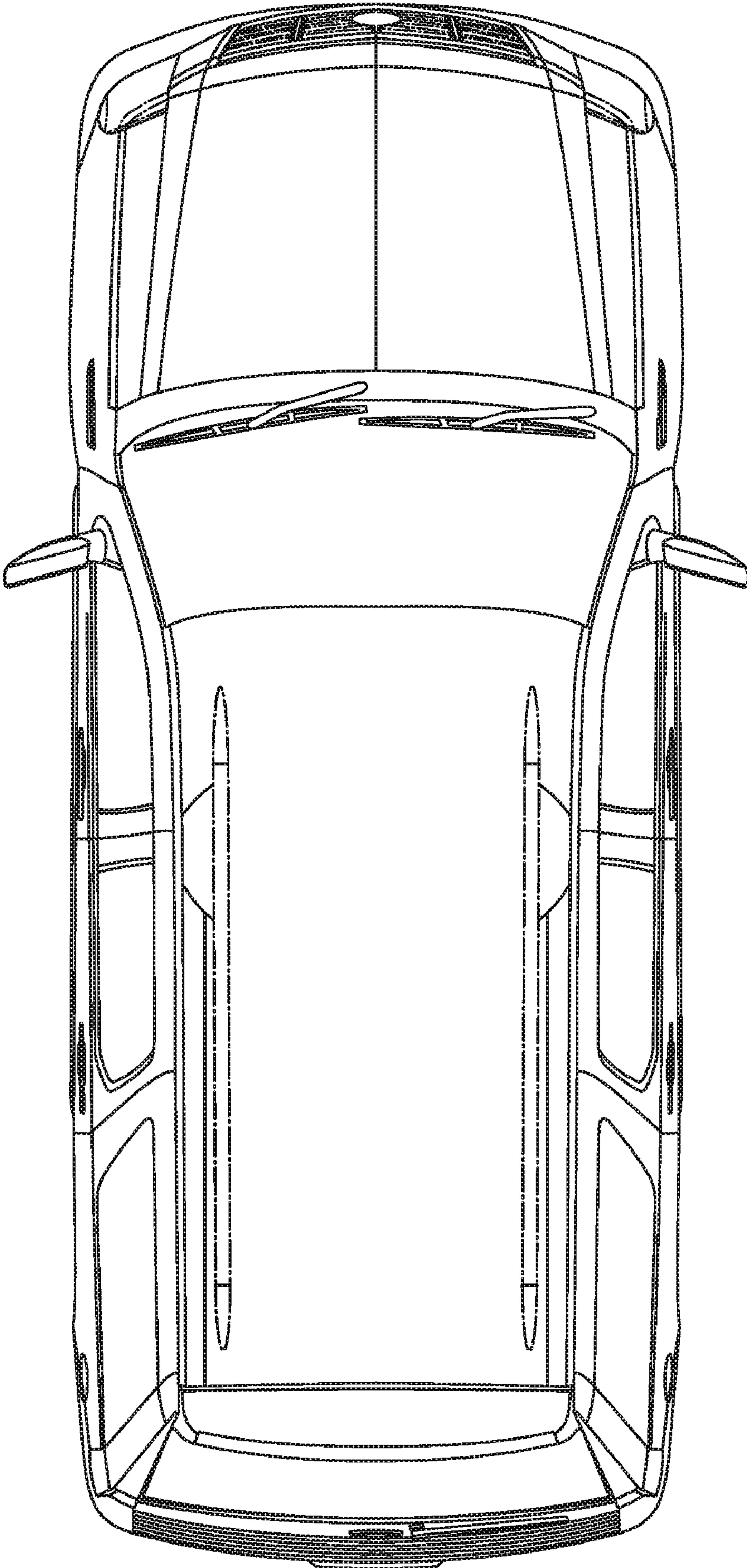


FIG. 4