



(12) **United States Design Patent**  
**McAbee**

(10) **Patent No.:** **US D570,245 S**  
(45) **Date of Patent:** **\*\* Jun. 3, 2008**

(54) **ANTLER DISPLAY DEVICE WITH A SQUARE BASE**

(76) Inventor: **Troy McAbee**, 2744 Vaugh Bridge Rd., Hartselle, AL (US) 35640

(\*\*) Term: **14 Years**

(21) Appl. No.: **29/259,841**

(22) Filed: **May 16, 2006**

(51) **LOC (8) Cl.** ..... **11-02**

(52) **U.S. Cl.** ..... **D11/164; D11/131**

(58) **Field of Classification Search** ..... D11/117-164; D6/329, 349, 449, 450, 396, 455, 466, 495, D6/497, 509; D19/94-97; D20/10, 12, 15, D20/29, 30, 43; 428/7, 8, 13, 15-20, 22, 428/27, 542.2, 542.4; 248/176.1, 346.01, 248/346.03, 908, 915

See application file for complete search history.

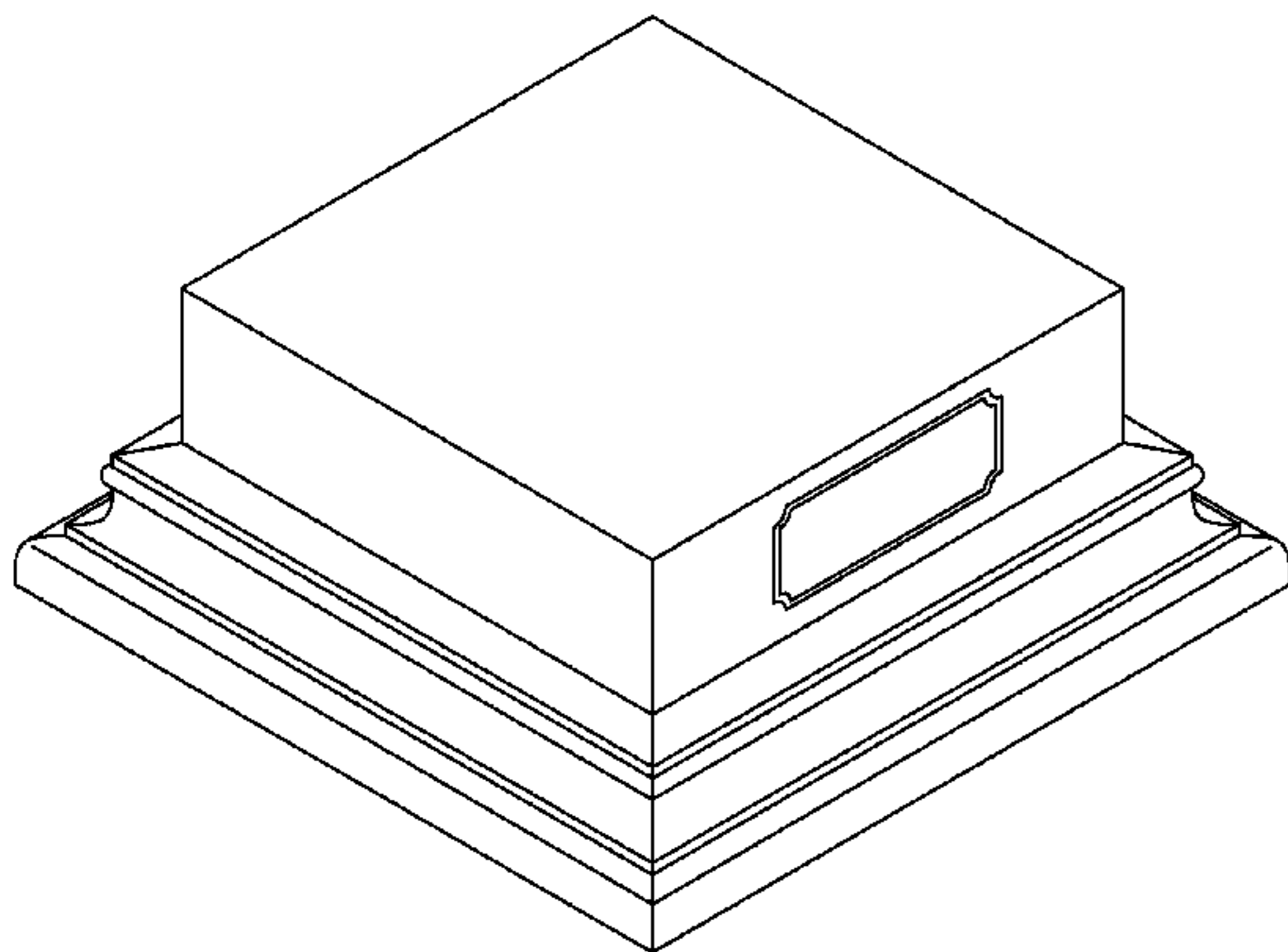
(56) **References Cited**

**U.S. PATENT DOCUMENTS**

- D22,165 S \* 1/1893 Librowicz ..... D11/164
- 970,040 A \* 9/1910 Gounevitch et al. .... 368/23
- D40,930 S \* 10/1910 Spaulding ..... D11/161
- D55,266 S \* 5/1920 Fuller ..... D6/310
- D181,159 S \* 10/1957 Merle ..... D11/164
- D232,442 S \* 8/1974 Atwell ..... D11/157
- D255,628 S \* 7/1980 Van Koert ..... D6/486
- D345,946 S \* 4/1994 Palmer ..... D11/131
- D517,237 S \* 3/2006 Morrow ..... D26/110

**OTHER PUBLICATIONS**

Wallace Silversmiths Trophy Headquarters, Jan. 1942: trophy pedestals shown on p. 8.\*



Passon's Trophies 1966 catalog: item D170 on upper left of p. 4.\*

\* cited by examiner

*Primary Examiner*—Catherine Tuttle

(74) *Attorney, Agent, or Firm*—Frank M. Caprio; Mark Swanson; Bradley Arant Rose & White LLP

(57) **CLAIM**

I claim the ornamental design for an antler display device with a square base, as shown and described.

**DESCRIPTION**

FIG. 1 is a left front perspective view of an antler display device with a square base.

FIG. 2 is a top view thereof.

FIG. 3 is a front elevational view thereof. The dotted line portion showing an upper surface is for illustrative purposes only and forms no part of the claimed design.

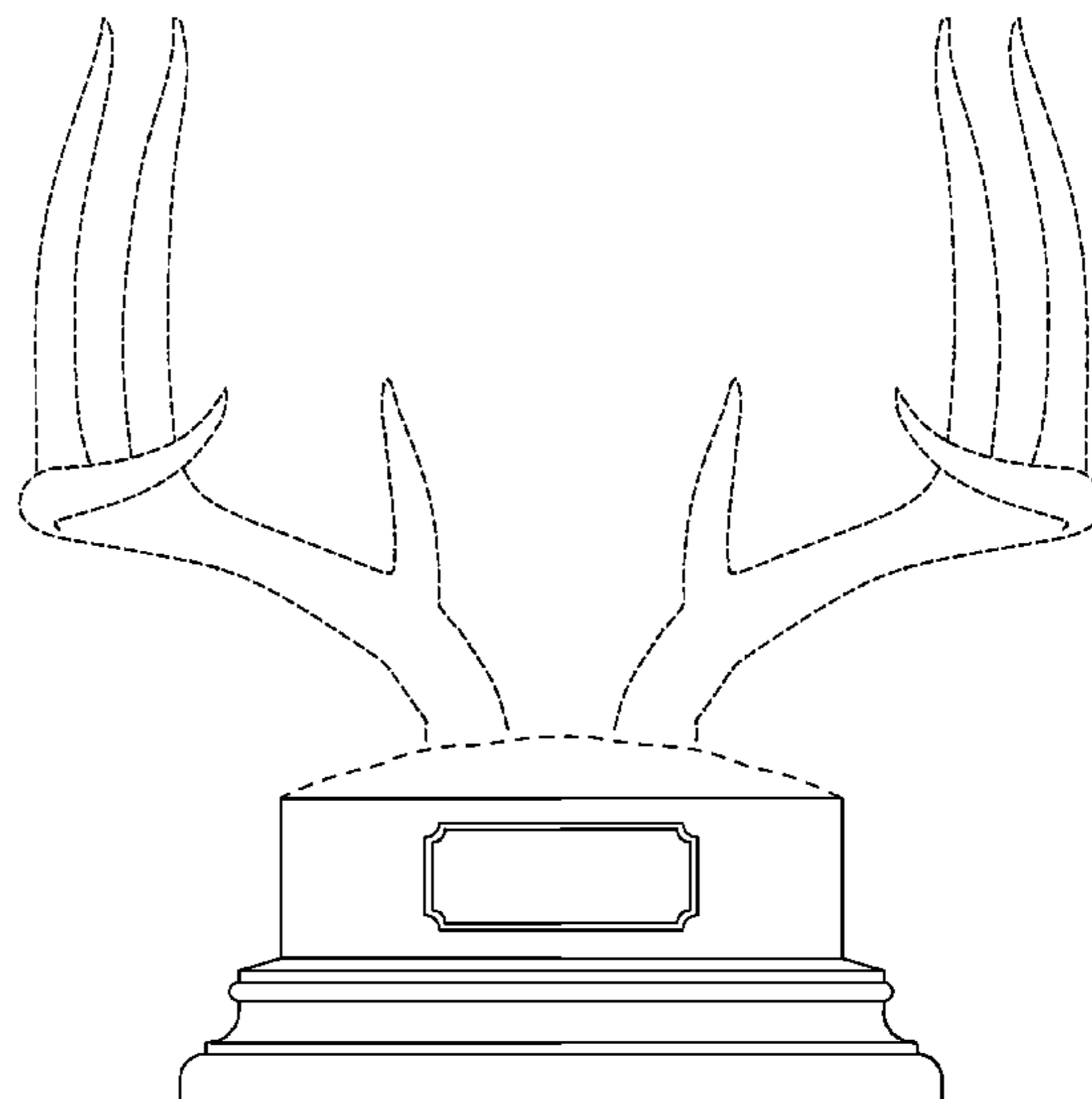
FIG. 4 is a rear elevational view thereof. The dotted line portion showing an upper surface is for illustrative purposes only and forms no part of the claimed design.

FIG. 5 is a right-side elevational view thereof. The dotted line portion showing an upper surface is for illustrative purposes only and forms no part of the claimed design.

FIG. 6 is a left-side elevation view thereof. The dotted line portion showing an upper surface is for illustrative purposes only and forms no part of the claimed design; and,

FIG. 7 is a front view thereof. The dotted line portions showing a pair of antlers and an upper surface are for illustrative purposes only and form no part of the claimed design.

**1 Claim, 4 Drawing Sheets**



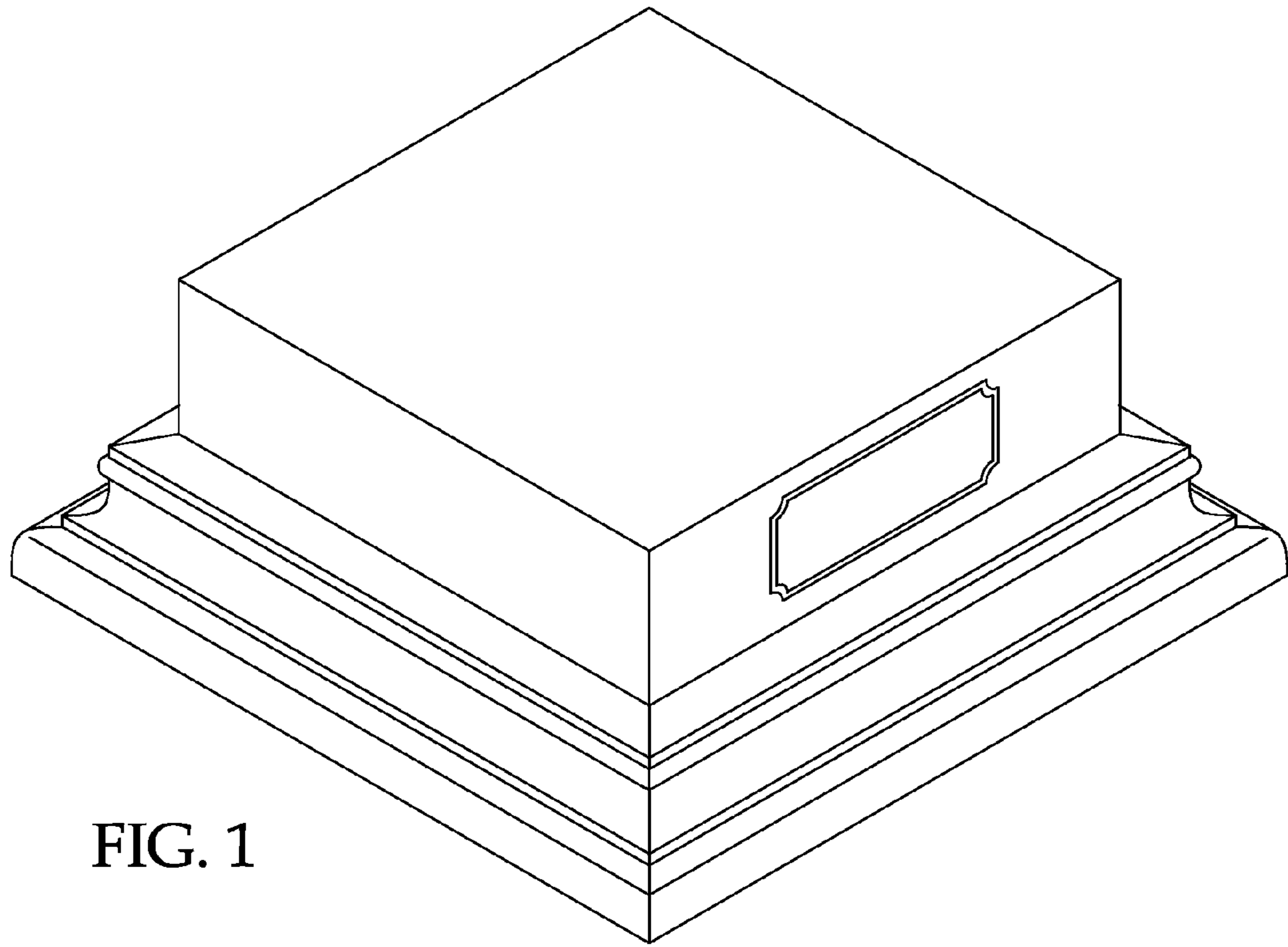


FIG. 1

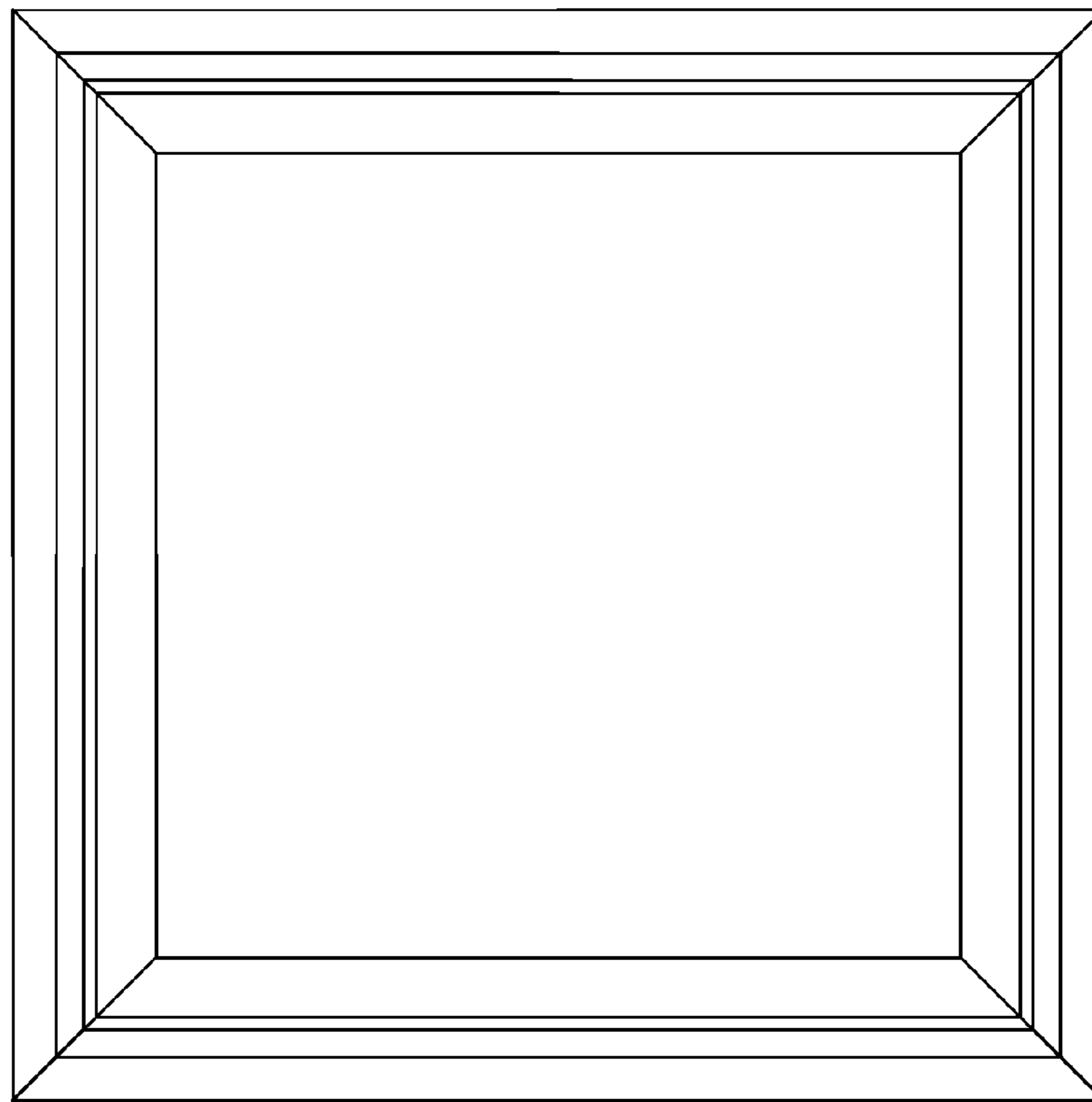


FIG. 2

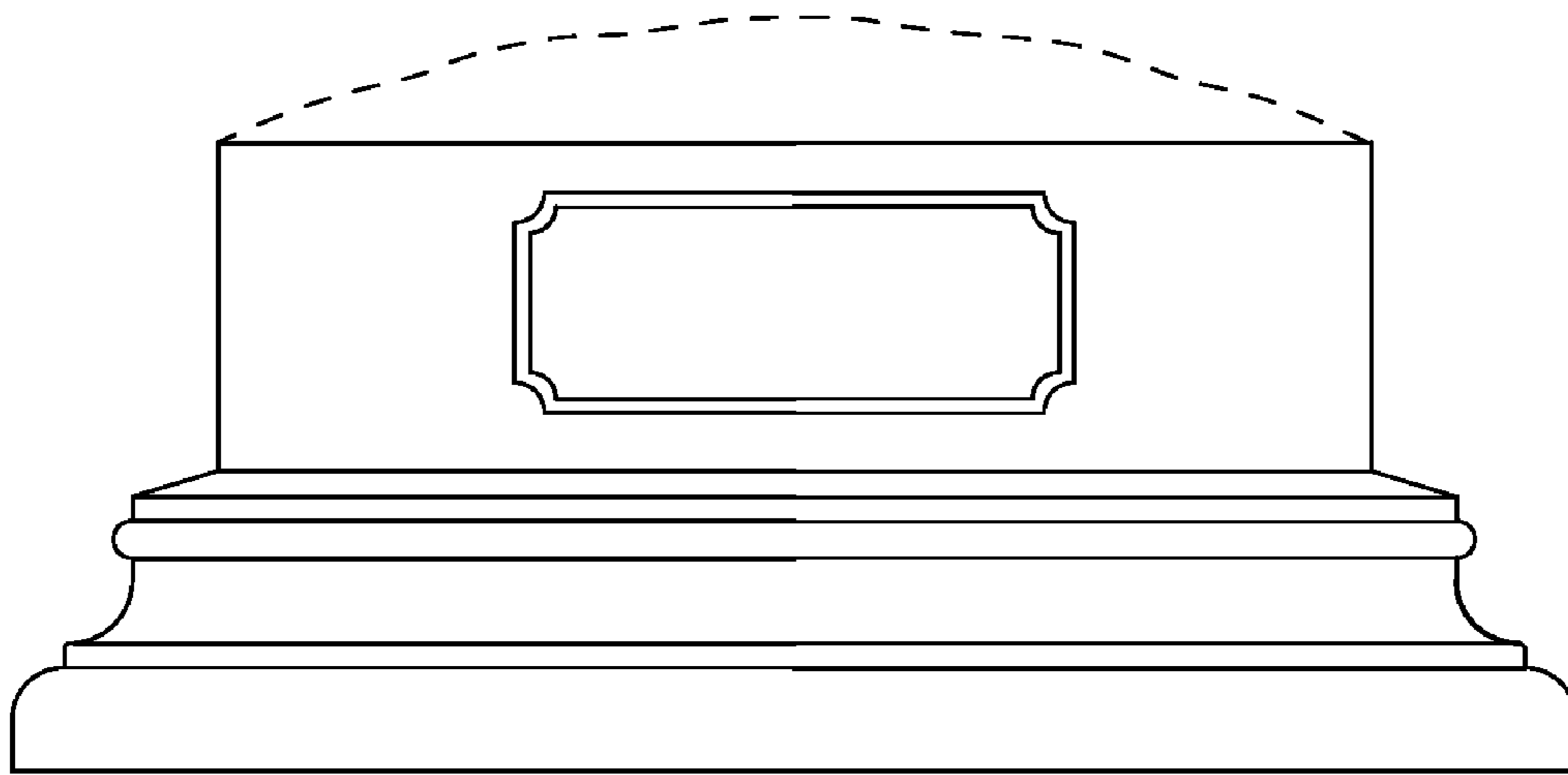


FIG. 3

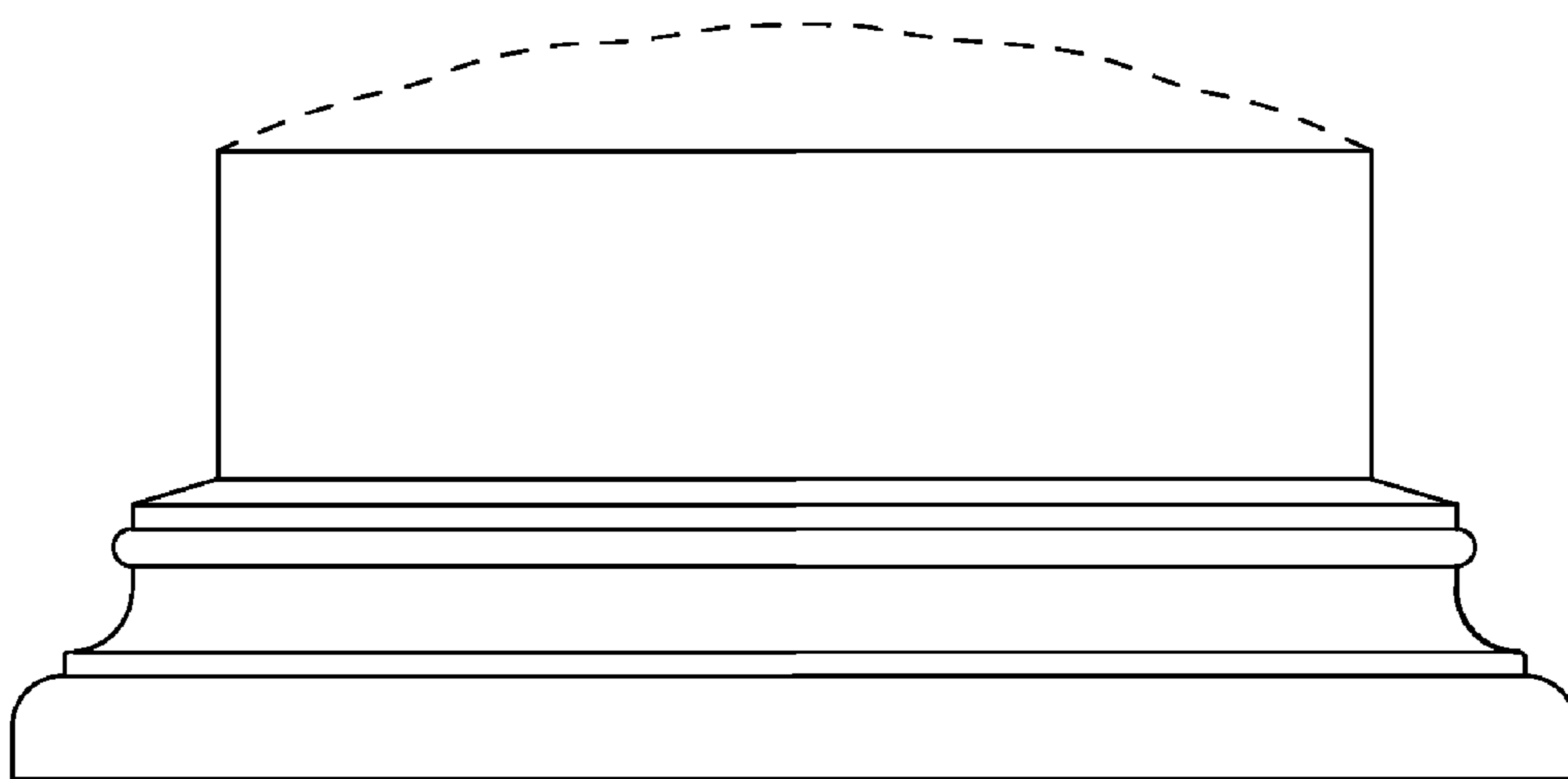


FIG. 4

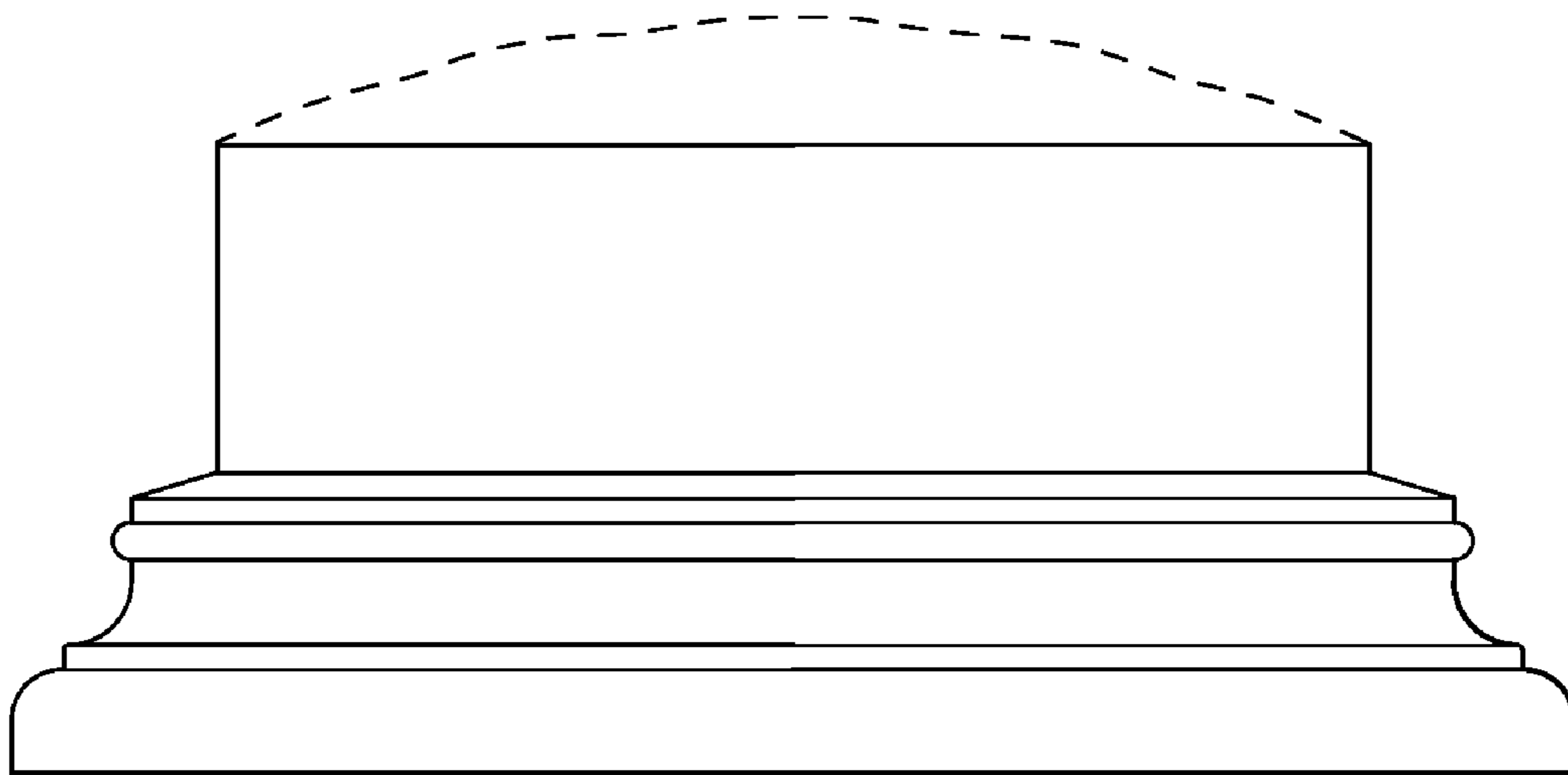


FIG. 5

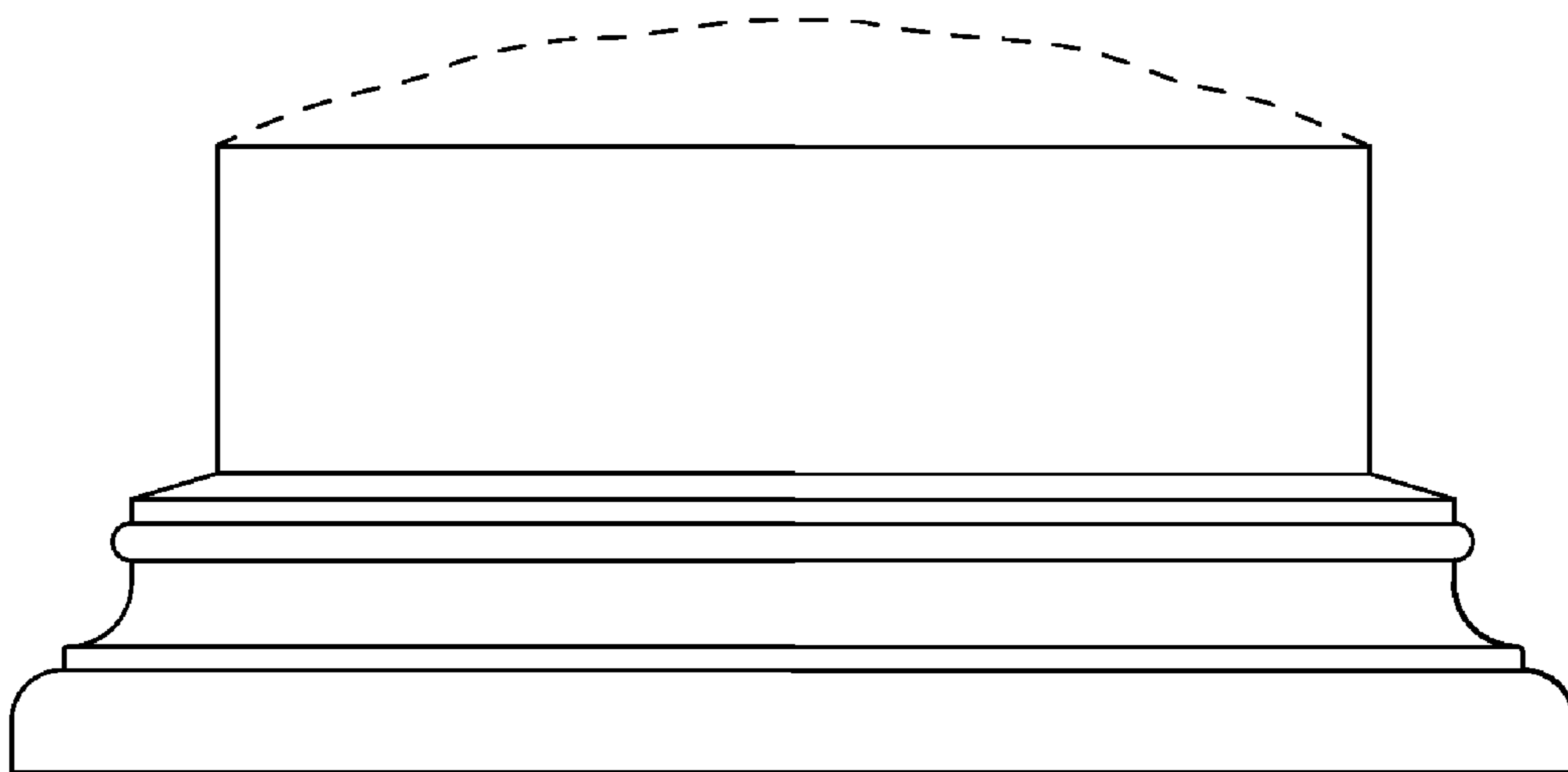


FIG. 6

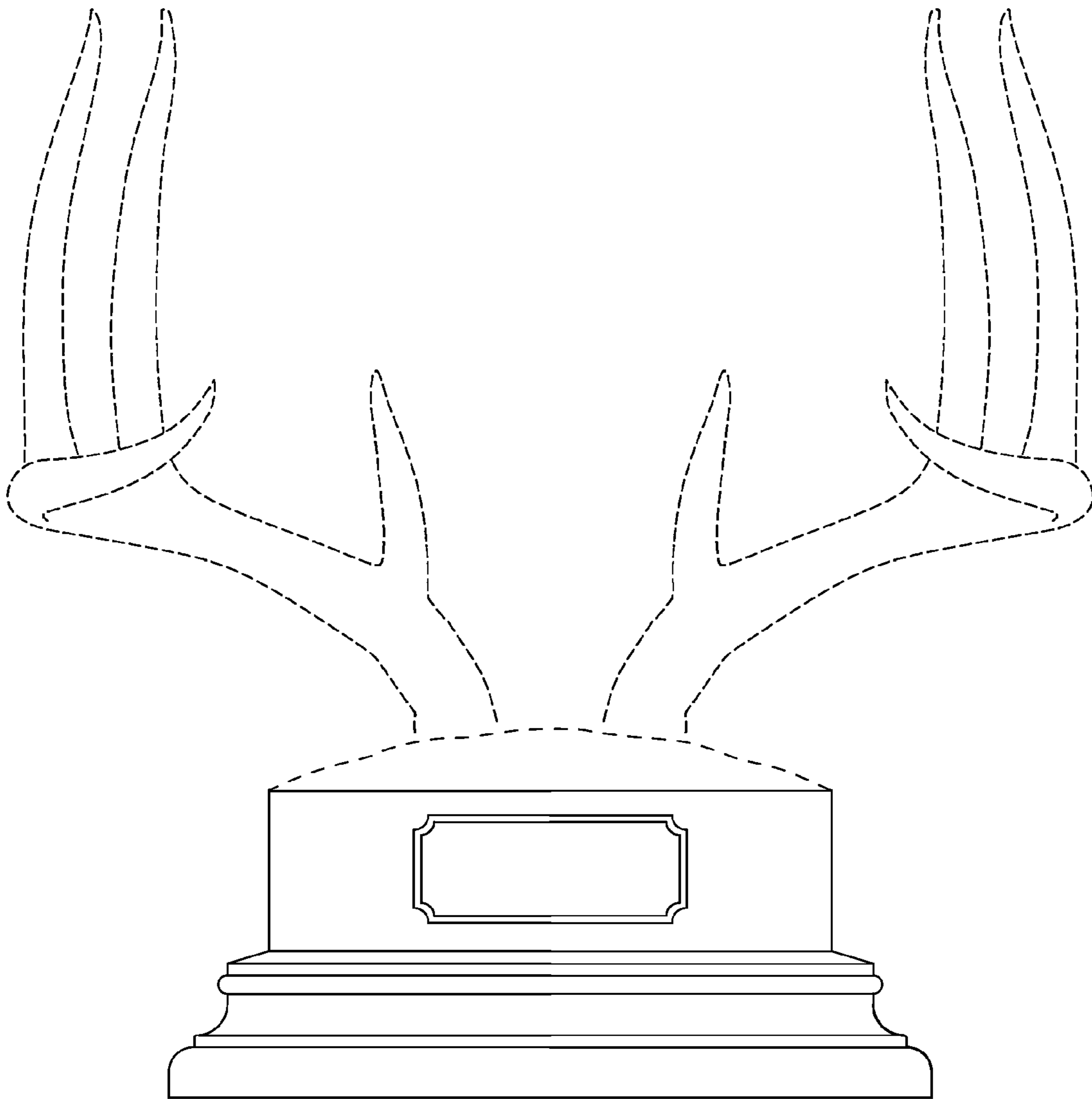


FIG. 7