

US00D570236S

(12) **United States Design Patent**
Roys

(10) **Patent No.:** **US D570,236 S**
(45) **Date of Patent:** **** Jun. 3, 2008**

(54) **CYCLE INDICATOR FOR FLUID DISTRIBUTION SYSTEMS**

(76) Inventor: **Curtis Roys**, 3201 W. Wall St., Midland, TX (US) 79701

(**) Term: **14 Years**

(21) Appl. No.: **29/304,491**

(22) Filed: **Mar. 3, 2008**

Related U.S. Application Data

(62) Division of application No. 11/186,461, filed on Jul. 21, 2005.

(51) **LOC (8) Cl.** **10-04**

(52) **U.S. Cl.** **D10/101**

(58) **Field of Classification Search** D10/101;
137/553, 556, 559; 251/33, 41, 65; 92/5 R;
116/277

See application file for complete search history.

(56) **References Cited**

U.S. PATENT DOCUMENTS

6,041,815 A * 3/2000 Nichols 137/556

* cited by examiner

Primary Examiner—Antoine D Davis
(74) *Attorney, Agent, or Firm*—Scheinberg & Griner, LLP;
Michael O. Scheinberg

(57) **CLAIM**

The ornamental design for a cycle indicator for fluid distribution systems, as shown and described.

DESCRIPTION

FIG. 1 is a front perspective view of the cycle indicator according to the present design.

FIG. 2 is a front view of the cycle indicator according to the present design.

FIG. 3 is a back view of the cycle indicator according to the present design.

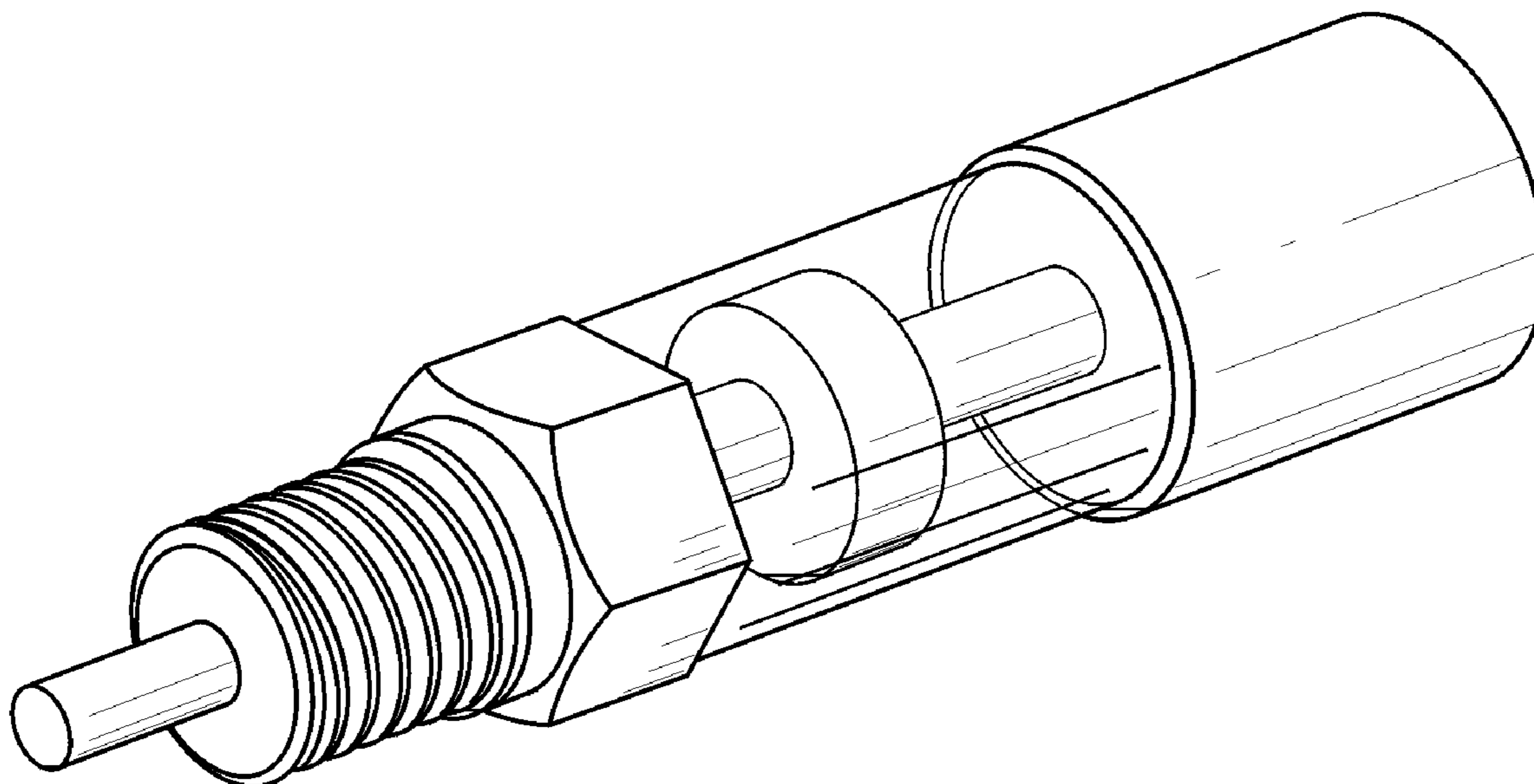
FIG. 4 is a top view of the cycle indicator.

FIG. 5 is a bottom view of the cycle indicator.

FIG. 6 is a right side view of the cycle indicator; and,

FIG. 7 is a left side view of the cycle indicator.

1 Claim, 3 Drawing Sheets



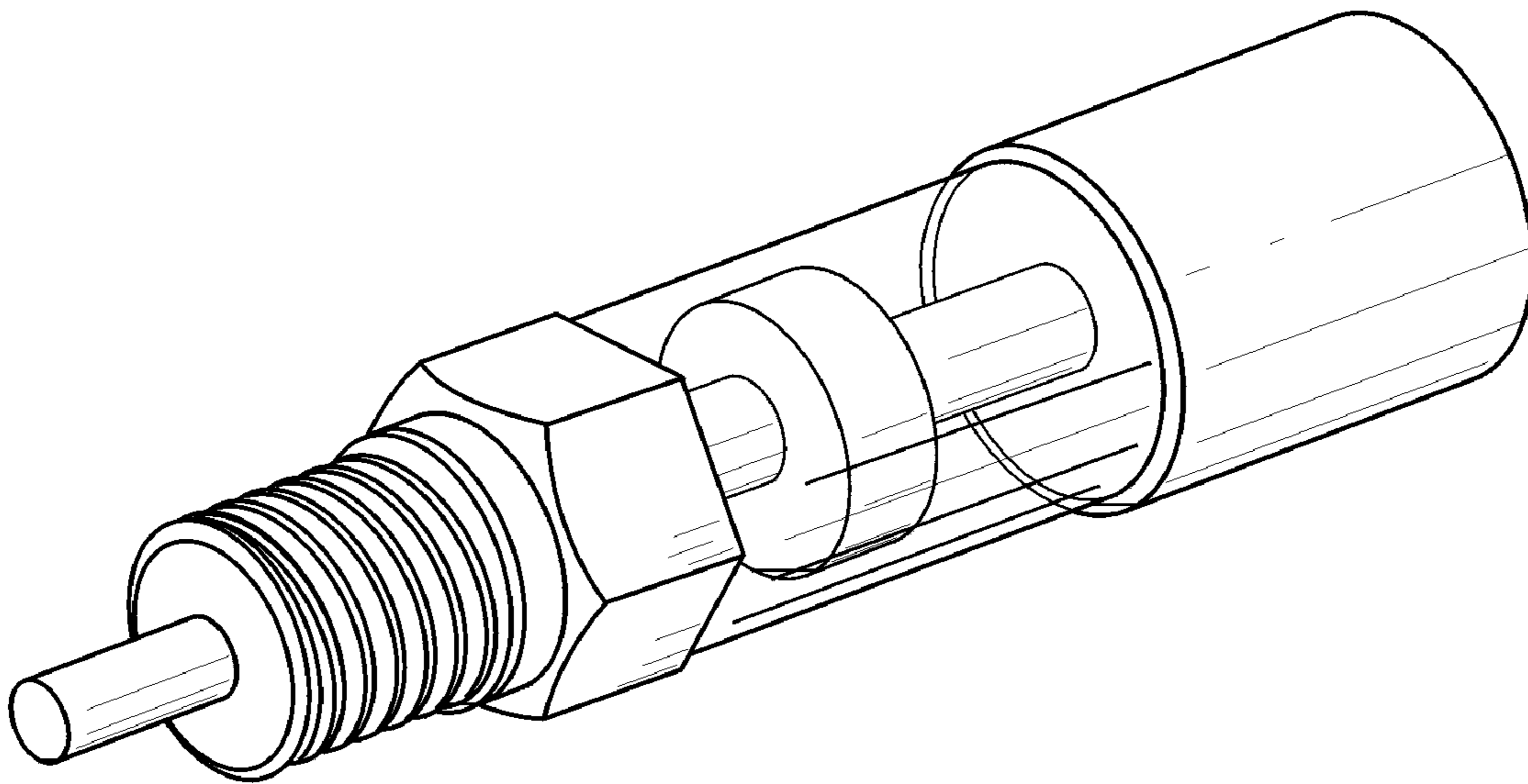


FIG. 1

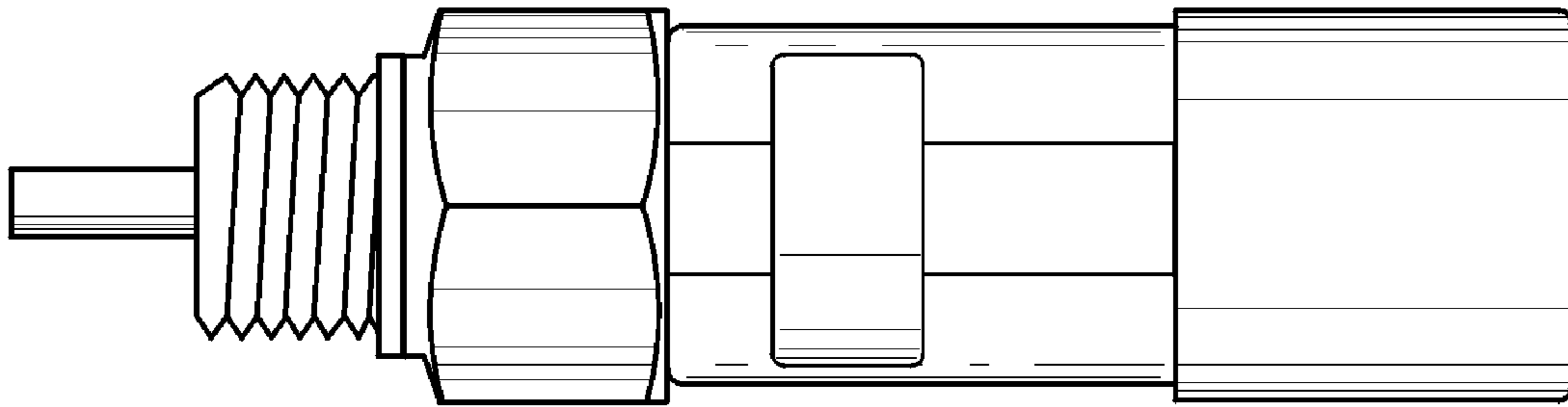


FIG. 2

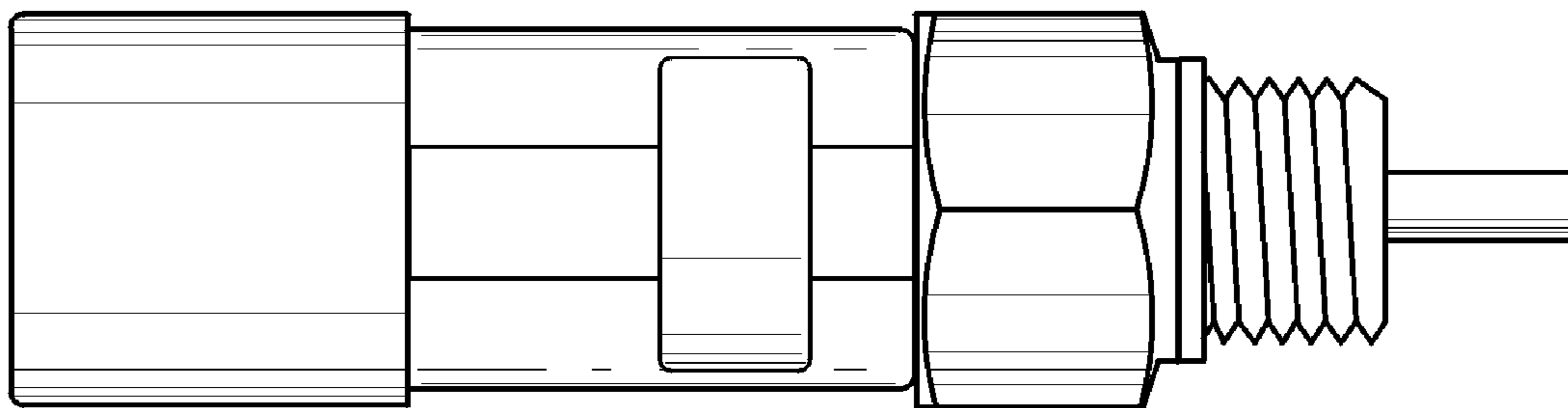


FIG. 3

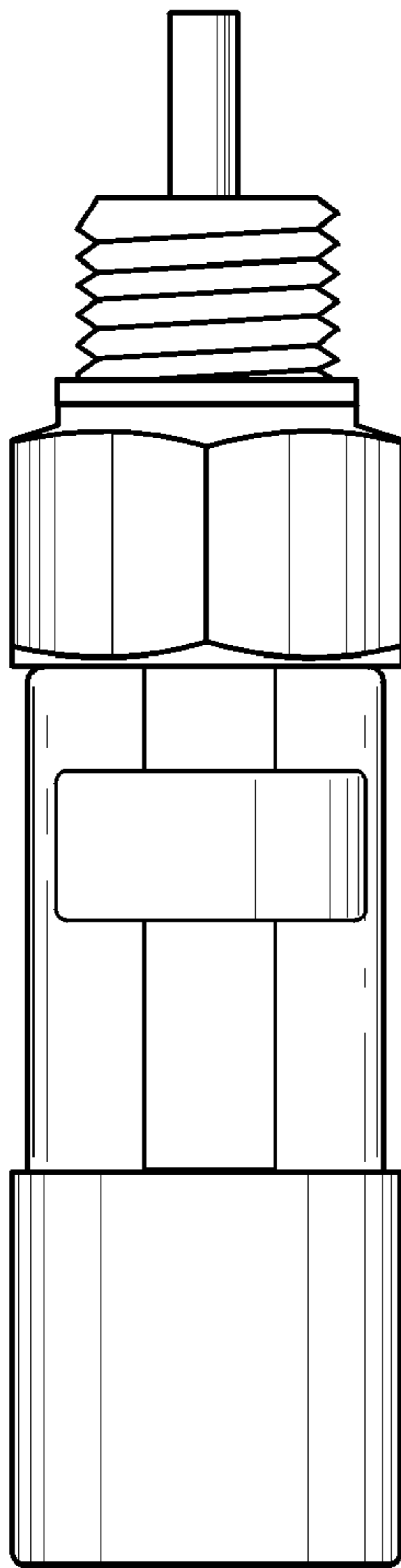


FIG. 4

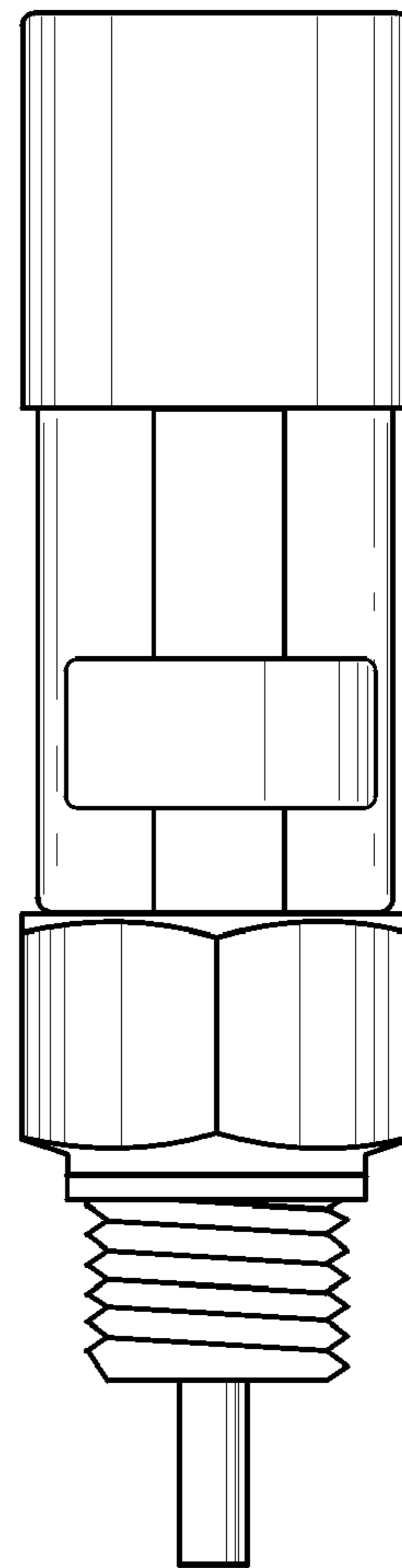


FIG. 5

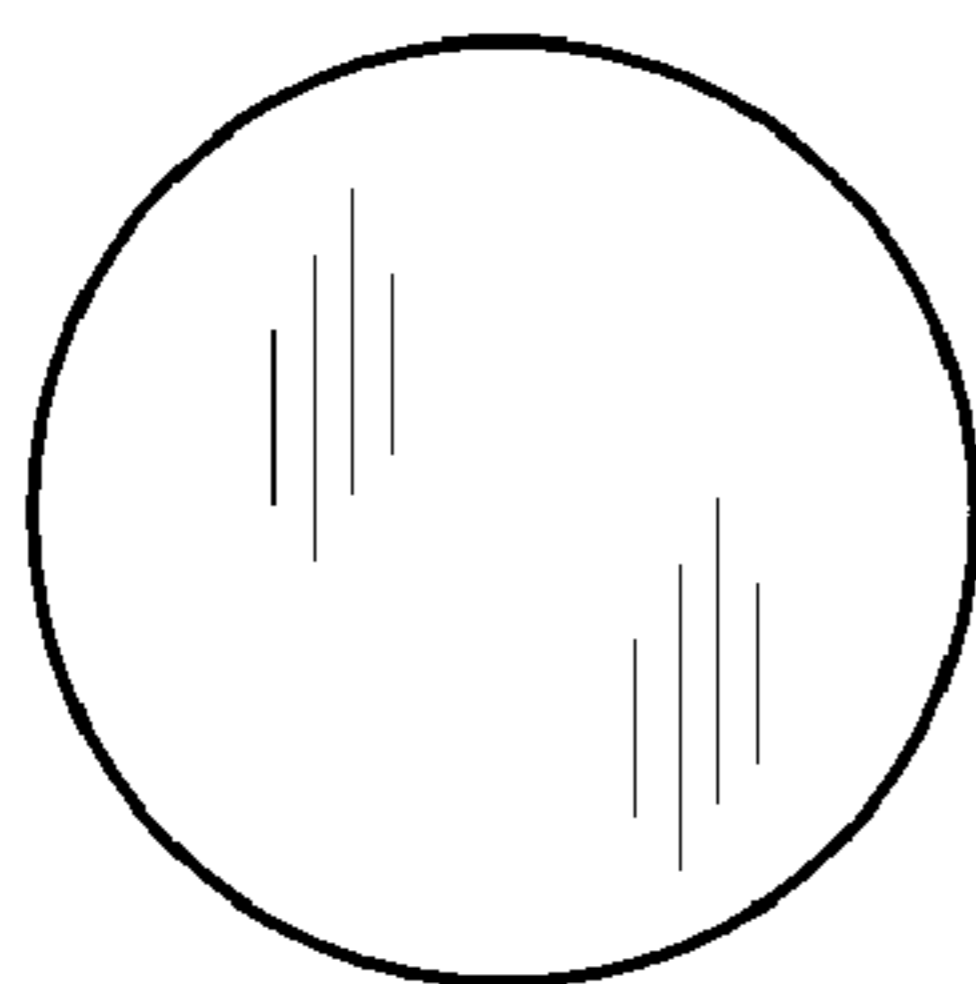


FIG. 6

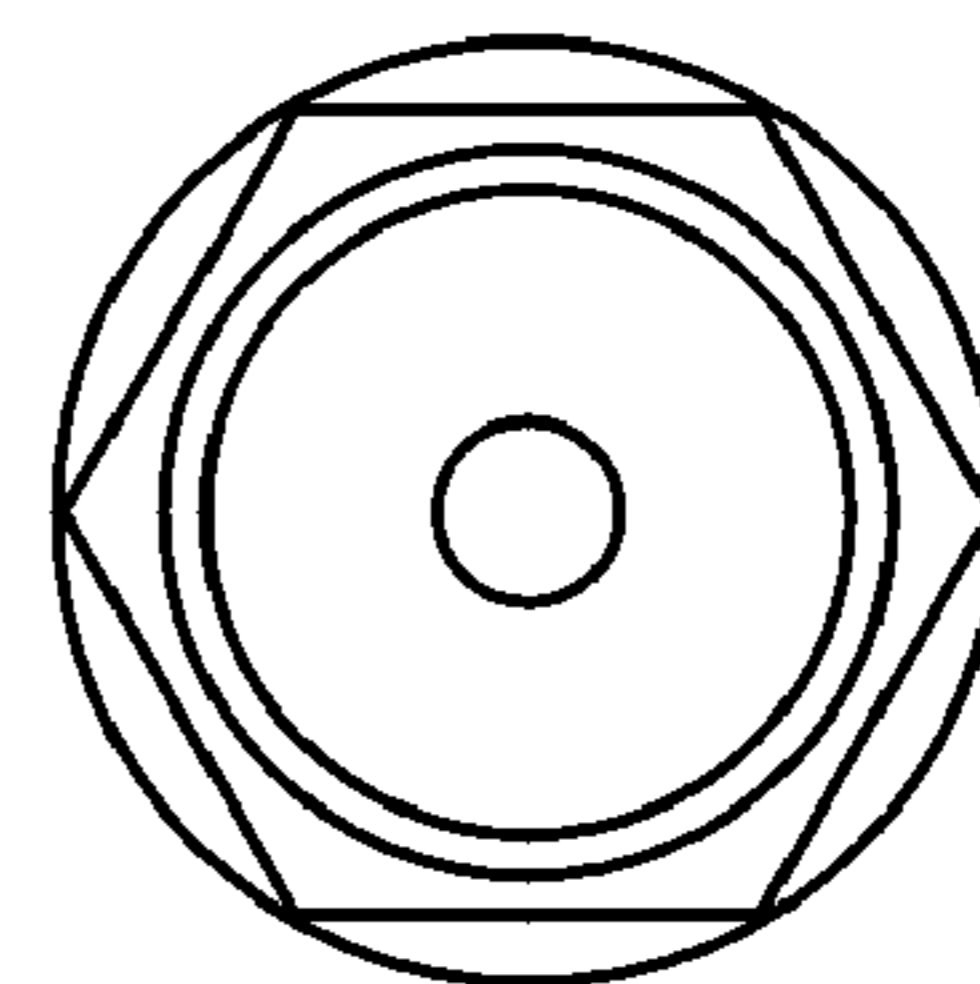


FIG. 7