



US00D570234S

(12) **United States Design Patent**
Hui et al.

(10) **Patent No.:** **US D570,234 S**
(45) **Date of Patent:** **** Jun. 3, 2008**

(54) **LASER RANGEFINDER**

D390,483 S * 2/1998 Zykan et al. D10/70
D448,315 S * 9/2001 Ito D10/70
D525,544 S * 7/2006 Nojima D10/70

(75) Inventors: **Pan Hui**, Hang-Zhou (CN); **Lu Han**,
Hang-Zhou (CN); **Yan Li-Jun**,
Hang-Zhou (CN); **Luo Sheng**,
Hang-Zhou (CN)

* cited by examiner

(73) Assignee: **Asia Optical Co., Inc.**, Taichung (TW)

Primary Examiner—Antoine D. Davis
(74) *Attorney, Agent, or Firm*—Troxell Law Office, PLLC

(**) Term: **14 Years**

(57) **CLAIM**

(21) Appl. No.: **29/272,883**

The ornamental design for a laser rangefinder, as shown.

(22) Filed: **Feb. 21, 2007**

DESCRIPTION

(51) **LOC (8) Cl.** **10-04**

(52) **U.S. Cl.** **D10/70**

(58) **Field of Classification Search** D10/70;
33/261, 285, 286, 700-715; 356/4.05, 5.07,
356/5.09, 5.12, 5.15, 28.5, 138, 139.03, 141.3,
356/142, 345, 375; 264/1.24, 1.25; 385/83,
385/97-99, 134-139; 702/150, 158, 208
See application file for complete search history.

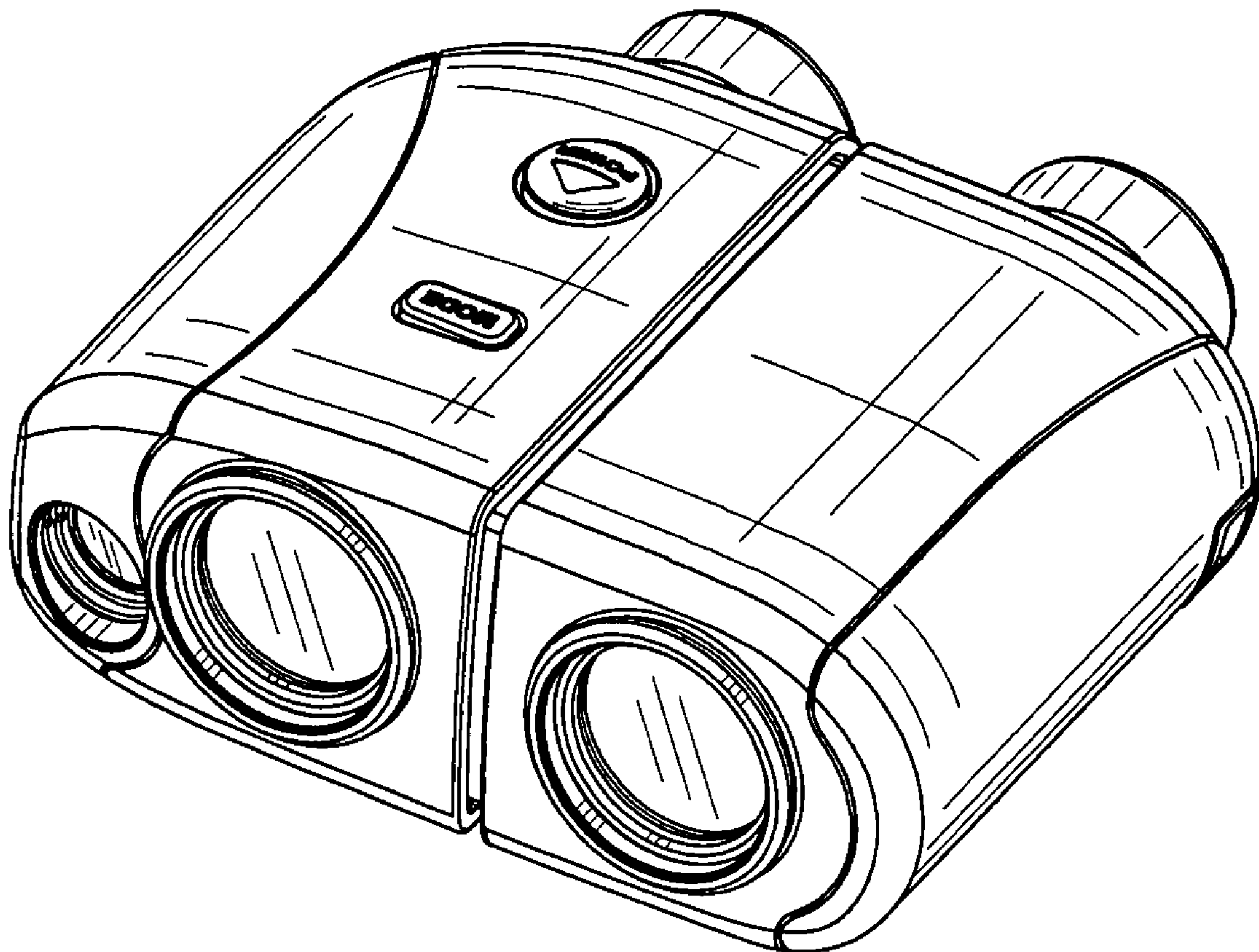
FIG. 1 is a perspective view of a laser rangefinder;
FIG. 2 is a front view thereof;
FIG. 3 is a rear view thereof;
FIG. 4 is a left side view thereof;
FIG. 5 is a right side view thereof;
FIG. 6 is a top view thereof;
FIG. 7 is a bottom view thereof; and,
FIG. 8 is a rear perspective view thereof.

(56) **References Cited**

U.S. PATENT DOCUMENTS

D371,084 S * 6/1996 Ogawa D10/70

1 Claim, 4 Drawing Sheets



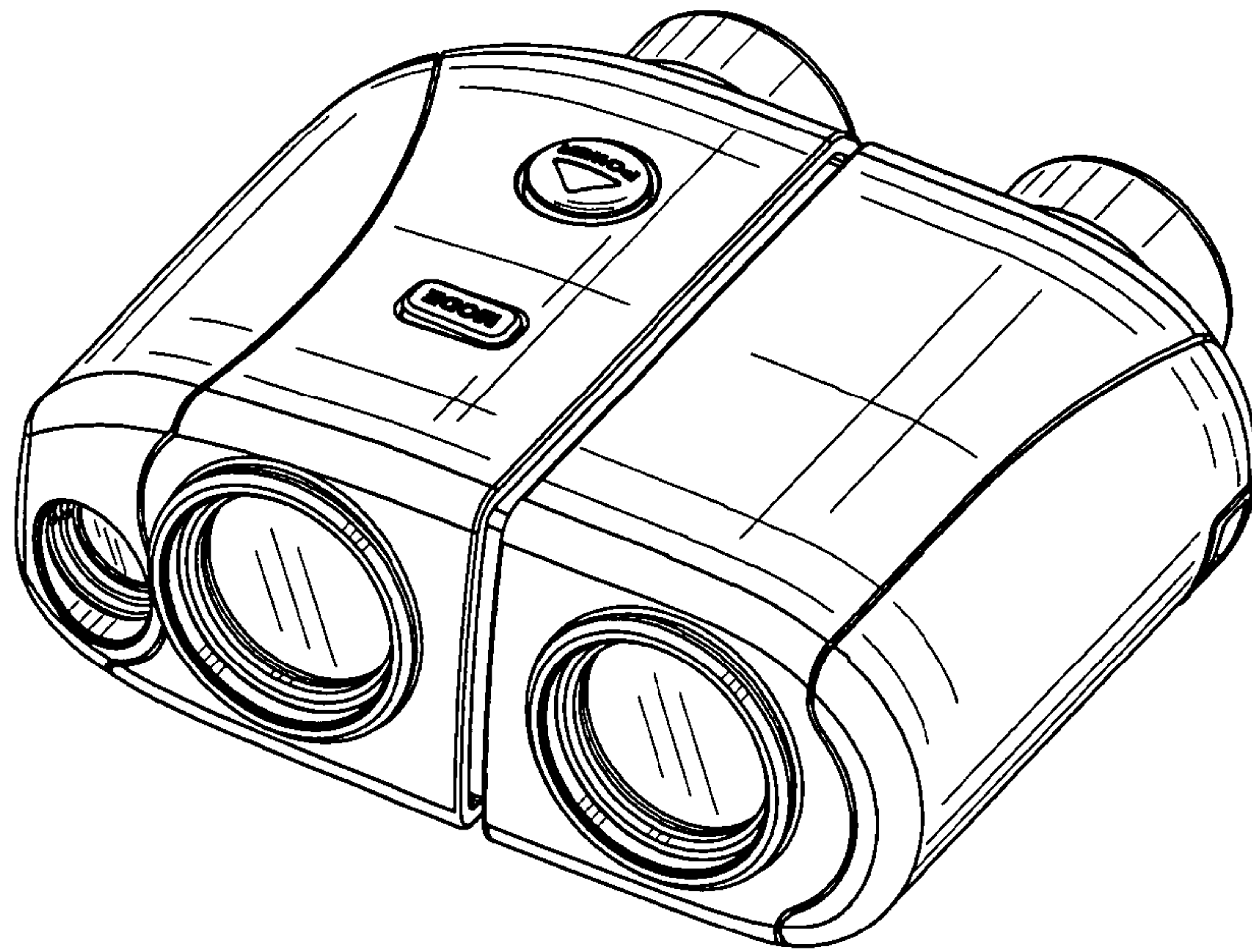


Fig. 1

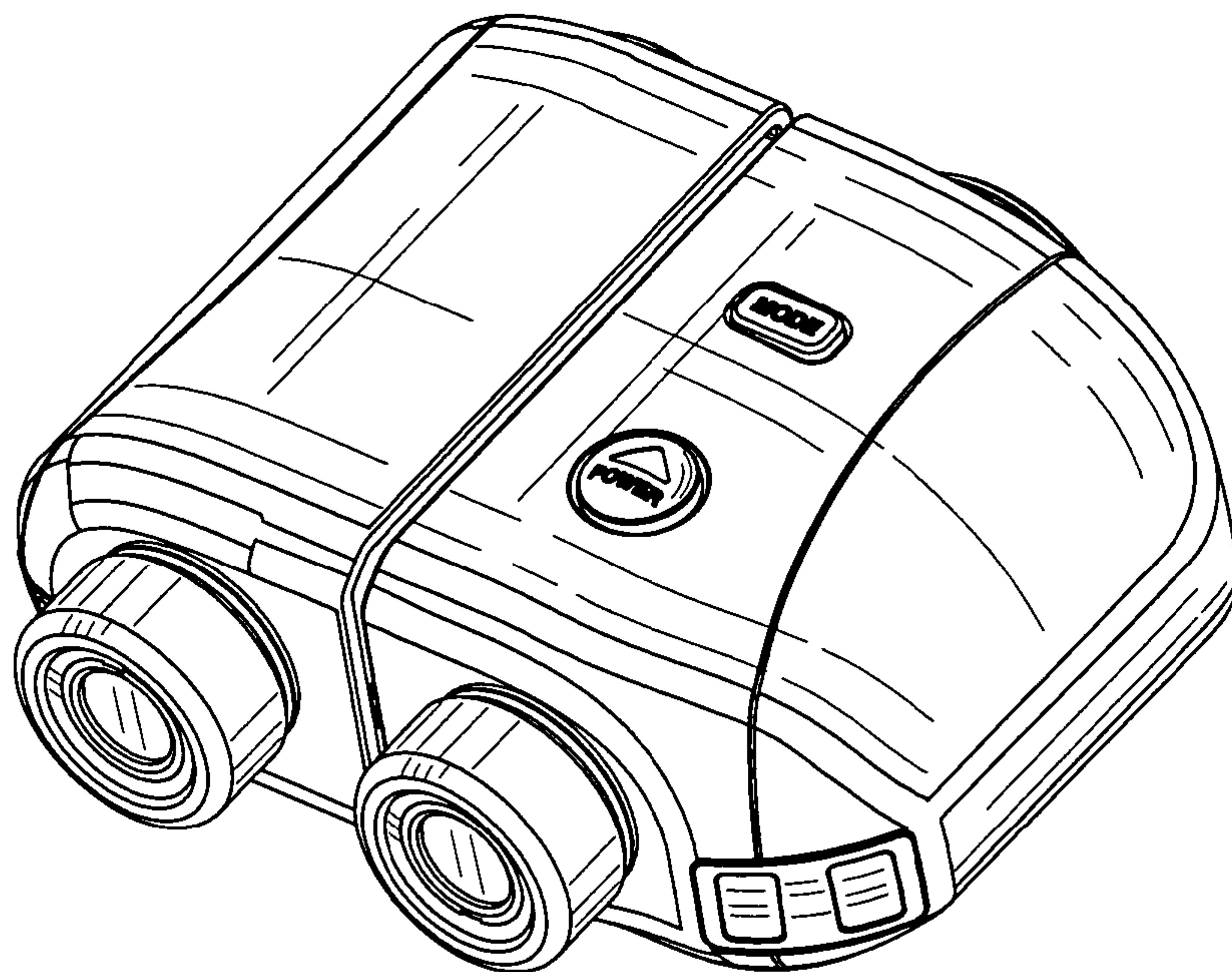


Fig. 8

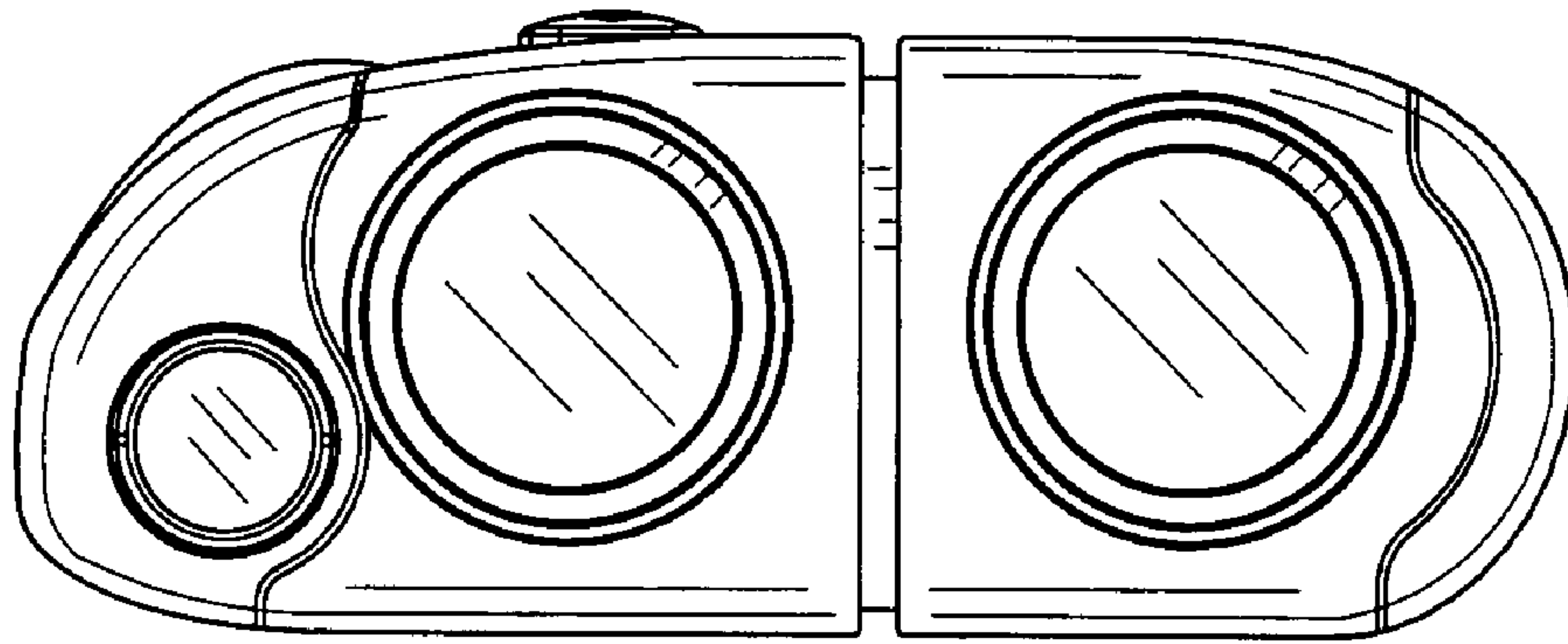


Fig. 2

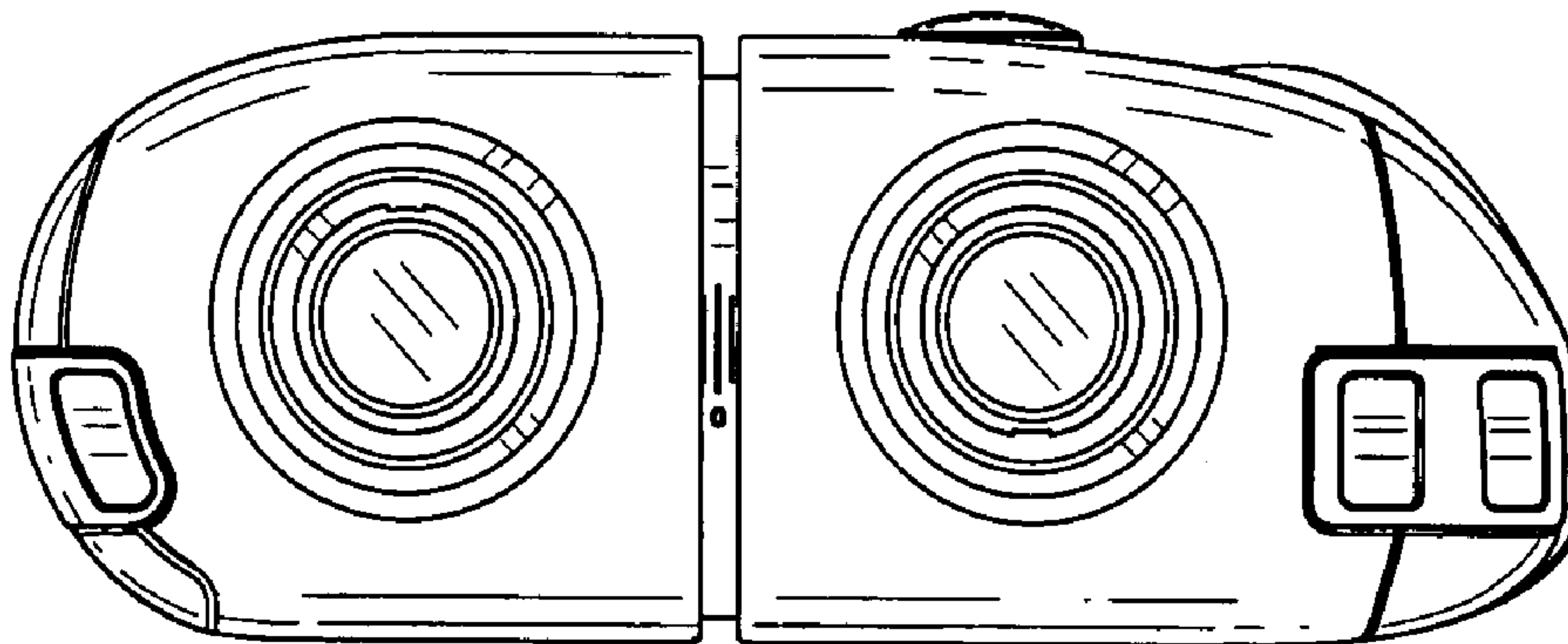


Fig. 3

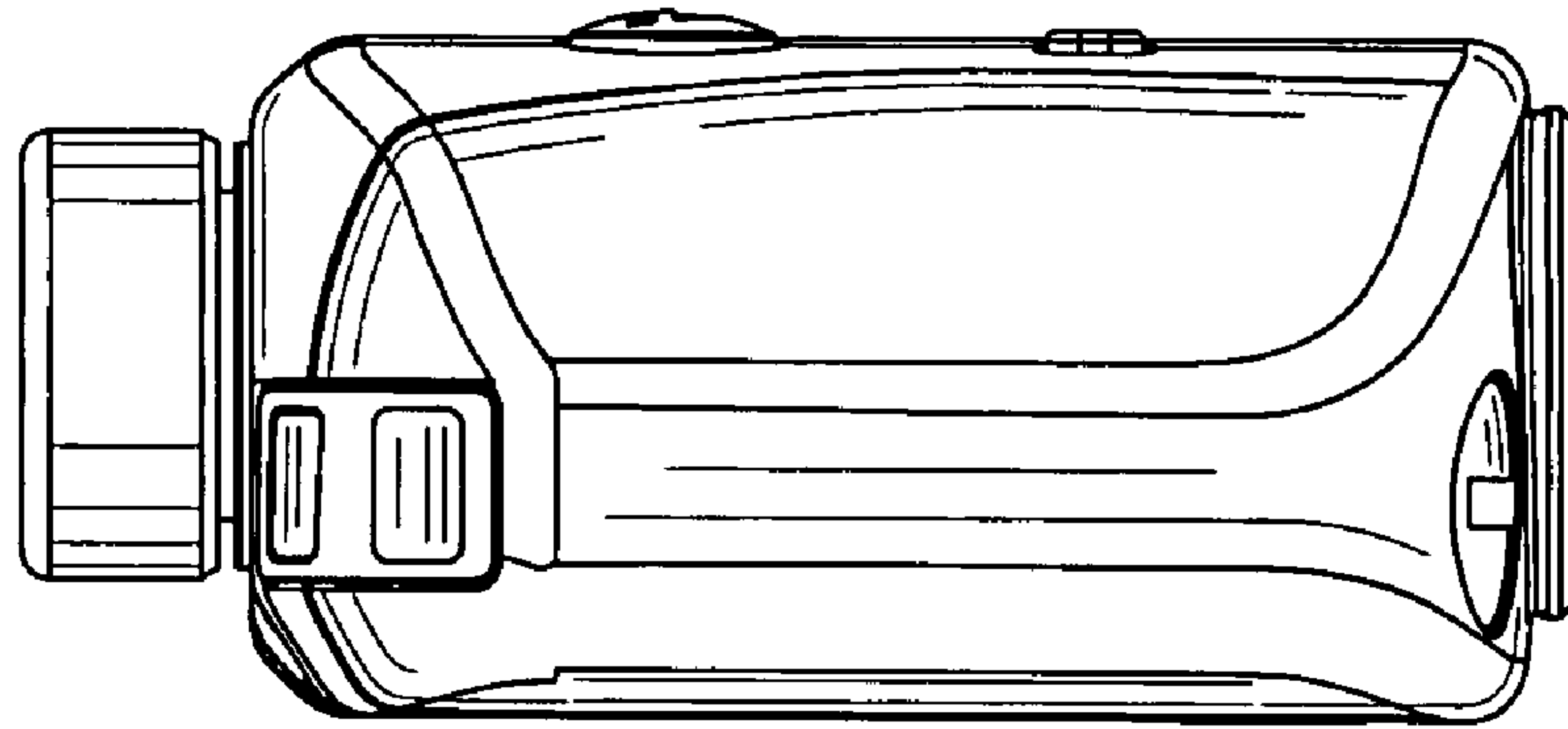


Fig. 4

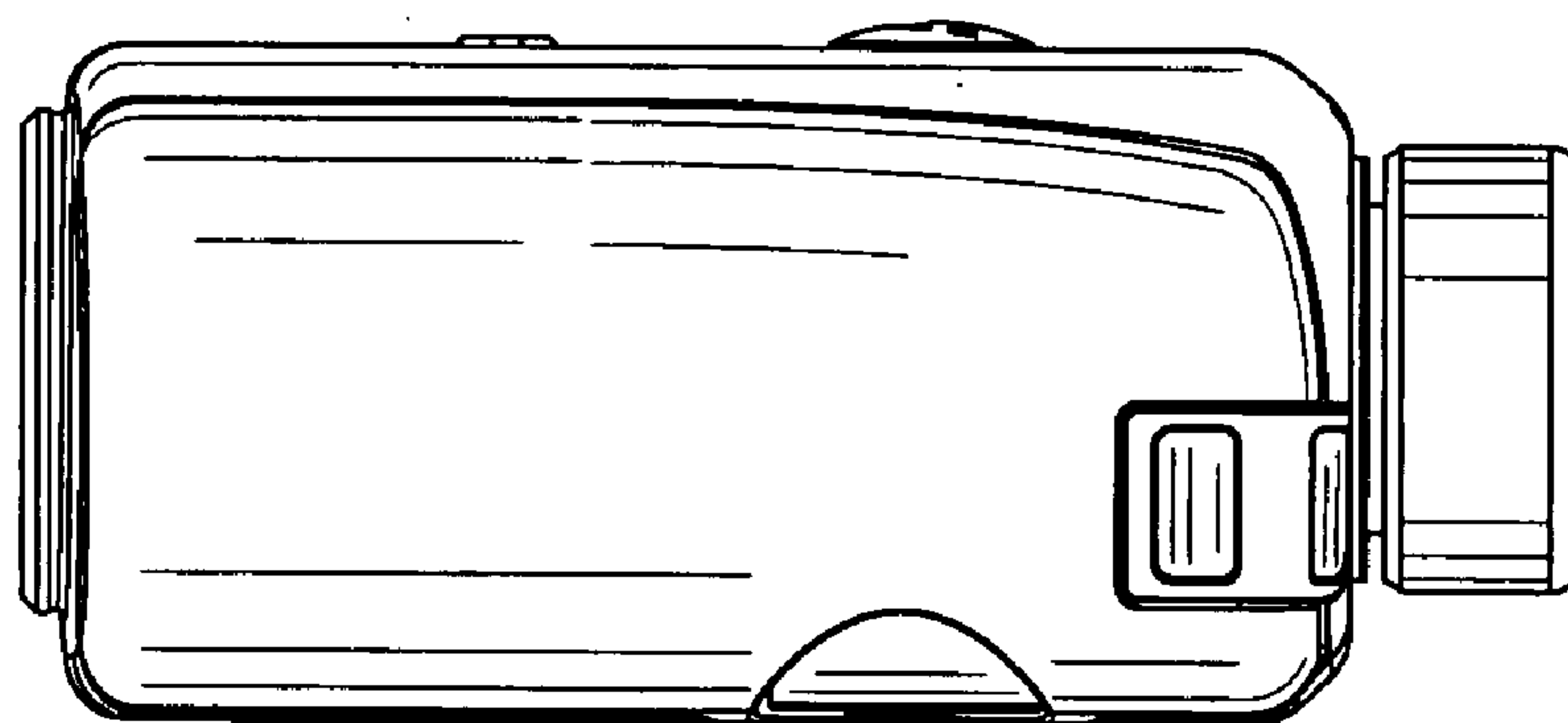


Fig. 5

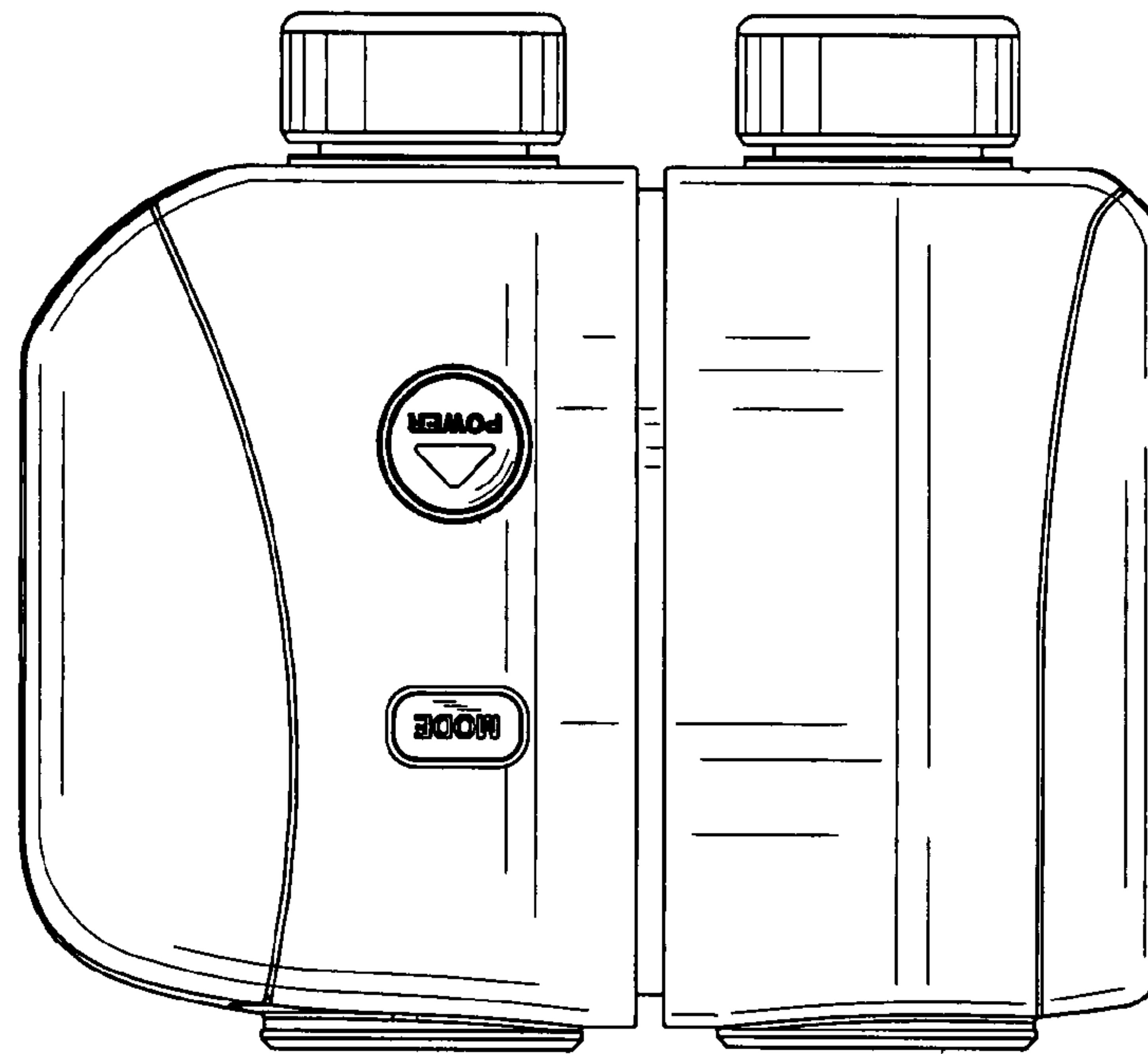


Fig. 6

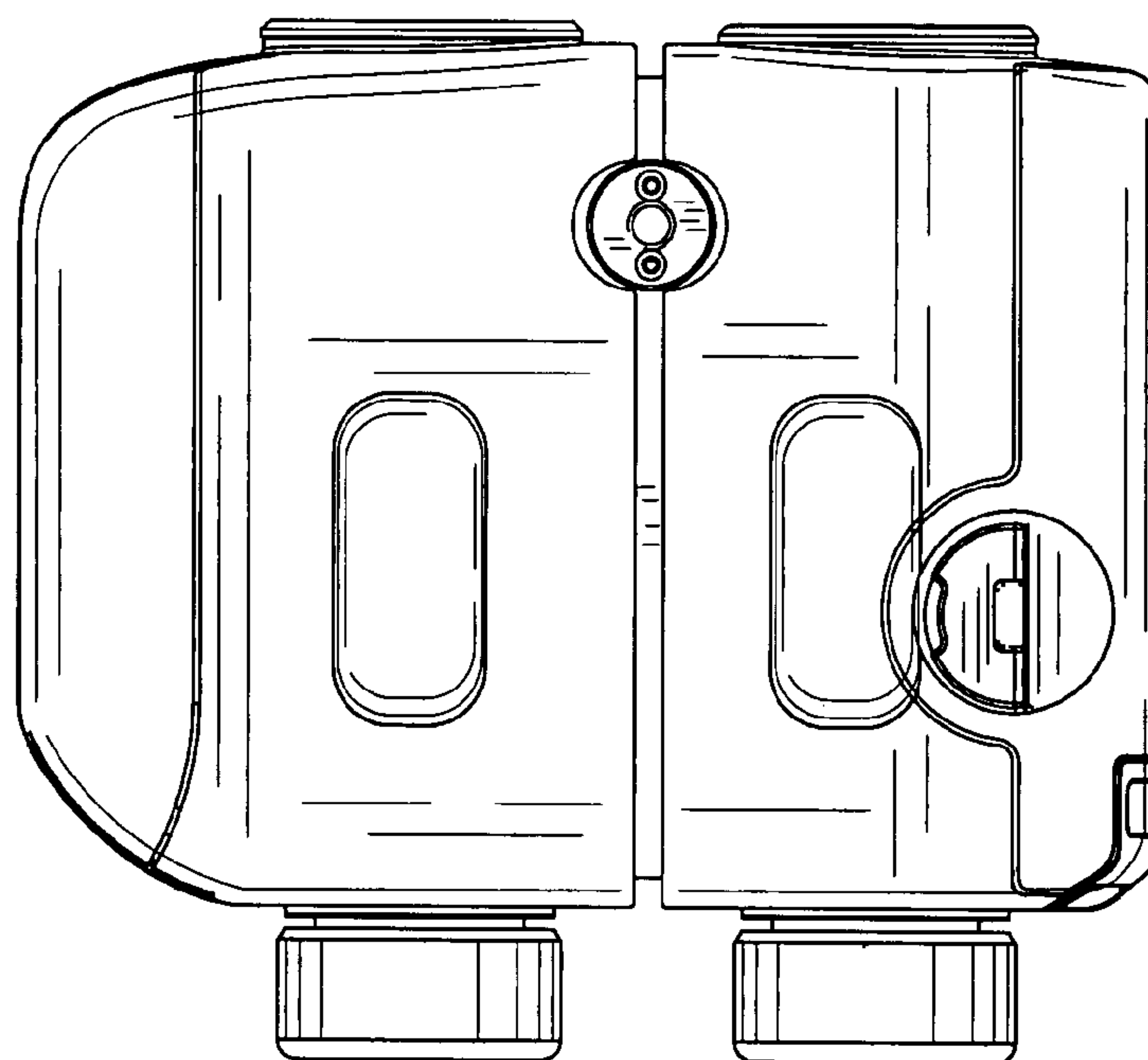


Fig. 7