

US00D570233S

(12) **United States Design Patent**
Levinson et al.

(10) **Patent No.:** **US D570,233 S**

(45) **Date of Patent:** **** Jun. 3, 2008**

(54) **HANDHELD CHALK LINE DISPENSER**

6,915,587 B1 7/2005 Scillia et al. 33/414
6,931,742 B1 * 8/2005 VanWinkle 33/414
6,957,495 B1 * 10/2005 Schmillen 33/414

(75) Inventors: **Amy Levinson**, Upper Galilee (IL); **Eli Harel**, Upper Galilee (IL)

OTHER PUBLICATIONS

(73) Assignee: **Kapro Industries Ltd.**, Kadarim (IL)

U.S. Appl. No. 29/290,546, filed Dec. 14, 2007, Amy Levenson.

(**) Term: **14 Years**

* cited by examiner

(21) Appl. No.: **29/274,576**

Primary Examiner—Antoine D. Davis

(22) Filed: **May 4, 2007**

(74) *Attorney, Agent, or Firm*—Harold L. Novick; The Nath Law Group

(51) **LOC (8) Cl.** **10-04**

(52) **U.S. Cl.** **D10/65**

(58) **Field of Classification Search** D10/65;
33/313, 314, 413, 755, 756, 760, 761, 767,
33/768, 769; 242/381.3, 385.4

See application file for complete search history.

(57) **CLAIM**

The ornamental designs for a handheld chalk line dispenser, substantially as shown and described.

(56) **References Cited**

DESCRIPTION

U.S. PATENT DOCUMENTS

D334,717 S *	4/1993	Evans et al.	D10/65
5,212,875 A *	5/1993	Corso	33/414
5,465,494 A *	11/1995	Johnston	33/414
5,493,787 A *	2/1996	Owens	33/414
5,509,616 A *	4/1996	Millen et al.	242/381.5
5,644,852 A	7/1997	Fuller et al.	33/414
5,683,055 A	11/1997	Dufour	242/394
5,920,997 A *	7/1999	Girtman	33/414
D429,471 S *	8/2000	Beyers	D10/65
6,098,299 A	8/2000	Collins et al.	33/414
6,167,632 B1	1/2001	Shor	33/414
D445,045 S	7/2001	Olson	D10/72
6,289,597 B1	9/2001	Beyers	33/414
6,345,448 B1	2/2002	Chontos	33/339
D477,785 S	7/2003	Szumer	D10/65
D477,786 S	7/2003	Szumer	D10/65
6,745,485 B2 *	6/2004	Shor	33/414

FIG. 1 is a top perspective view of a handheld chalk line dispenser;

FIG. 2 is a front perspective view of the handheld chalk line dispenser of FIG. 1;

FIG. 3 is a top plan view of the handheld chalk line dispenser of FIG. 1;

FIG. 4 is a bottom plan view of the handheld chalk line dispenser of FIG. 1;

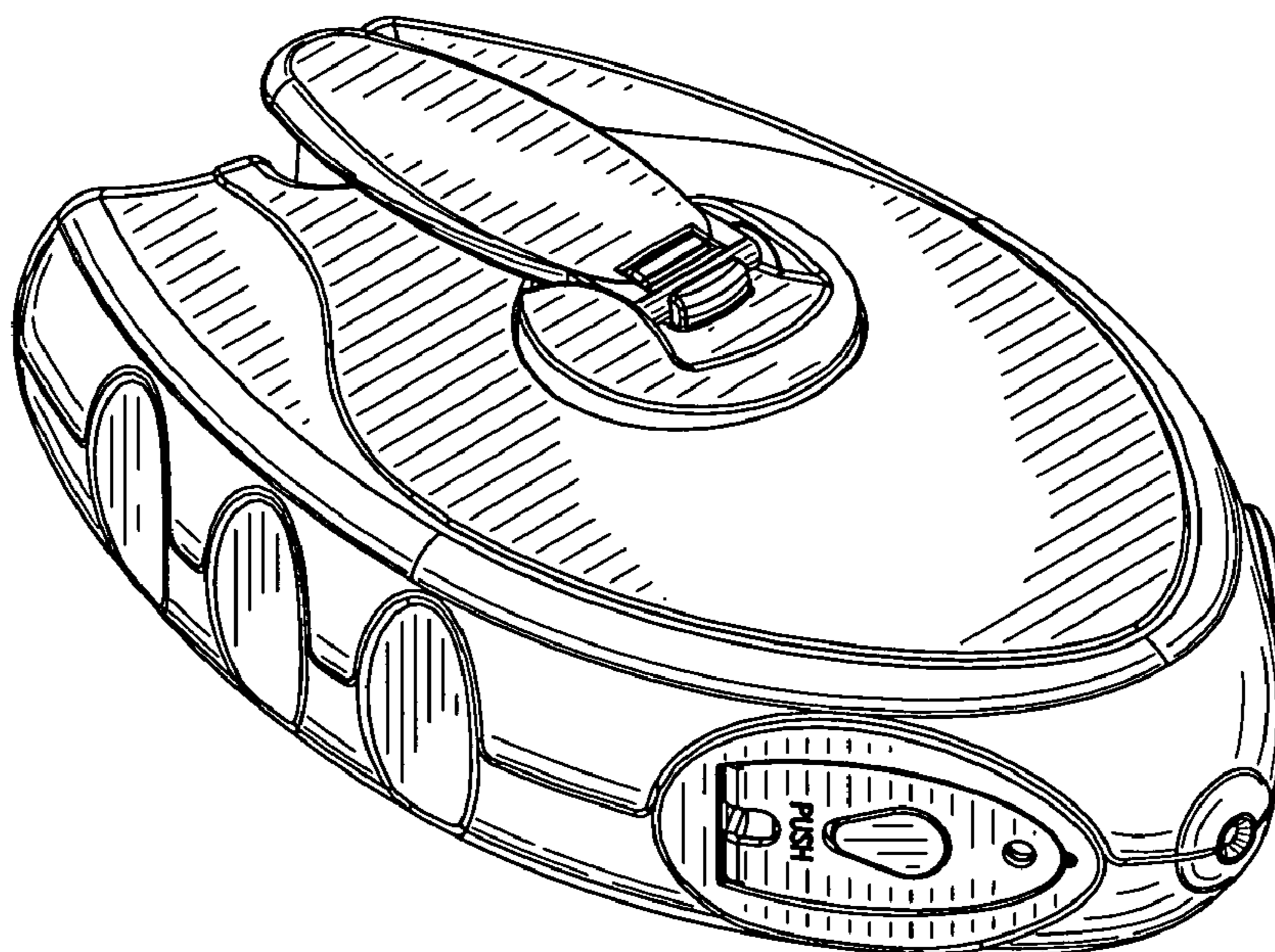
FIG. 5 is a front elevation view of the handheld chalk line dispenser of FIG. 1;

FIG. 6 is a rear elevation view of the handheld chalk line dispenser of FIG. 1;

FIG. 7 is a right elevation view of the handheld chalk line dispenser of FIG. 1; and,

FIG. 8 is a left elevation view of the handheld chalk line dispenser of FIG. 1.

1 Claim, 4 Drawing Sheets



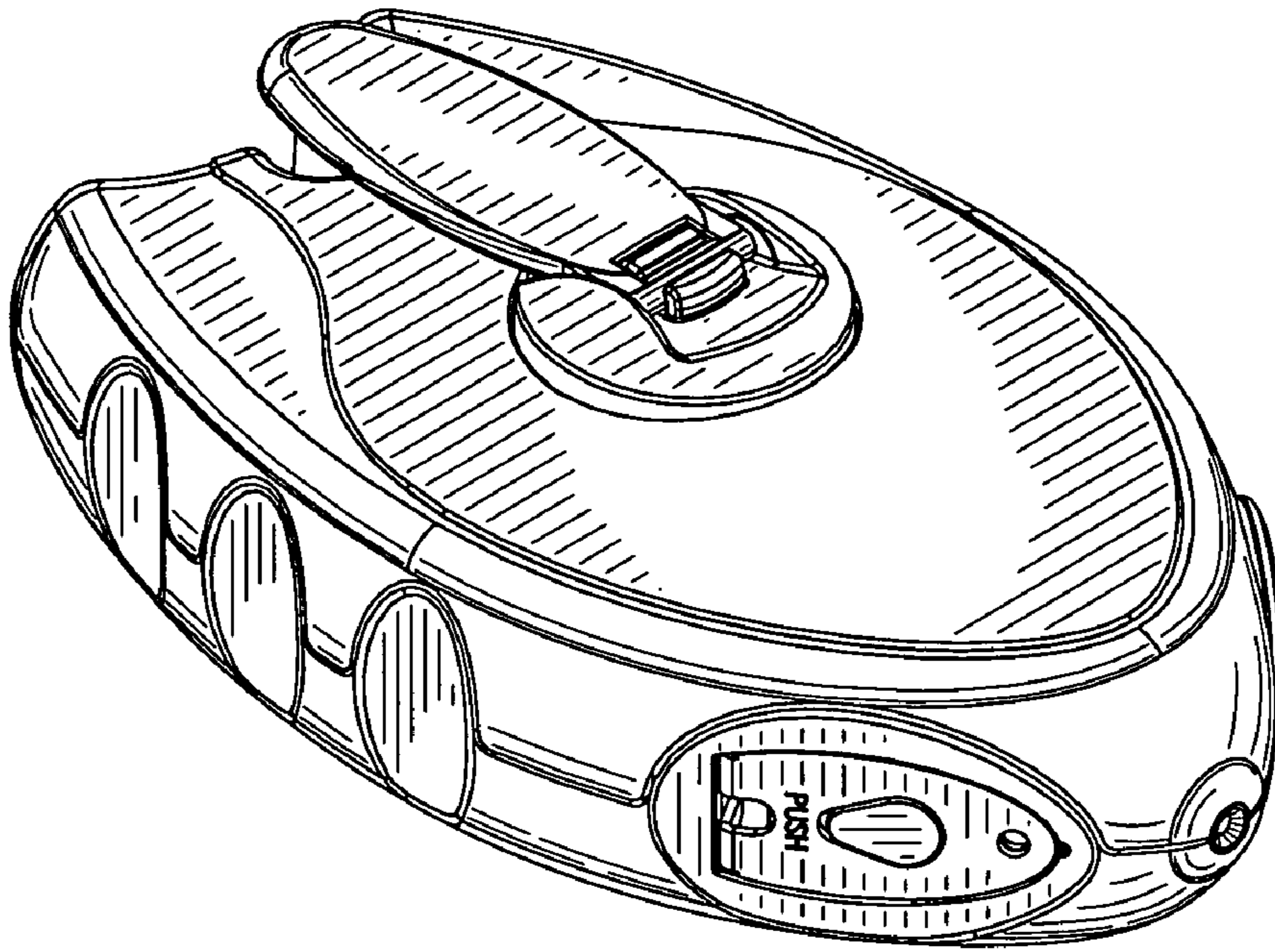


FIG. 1

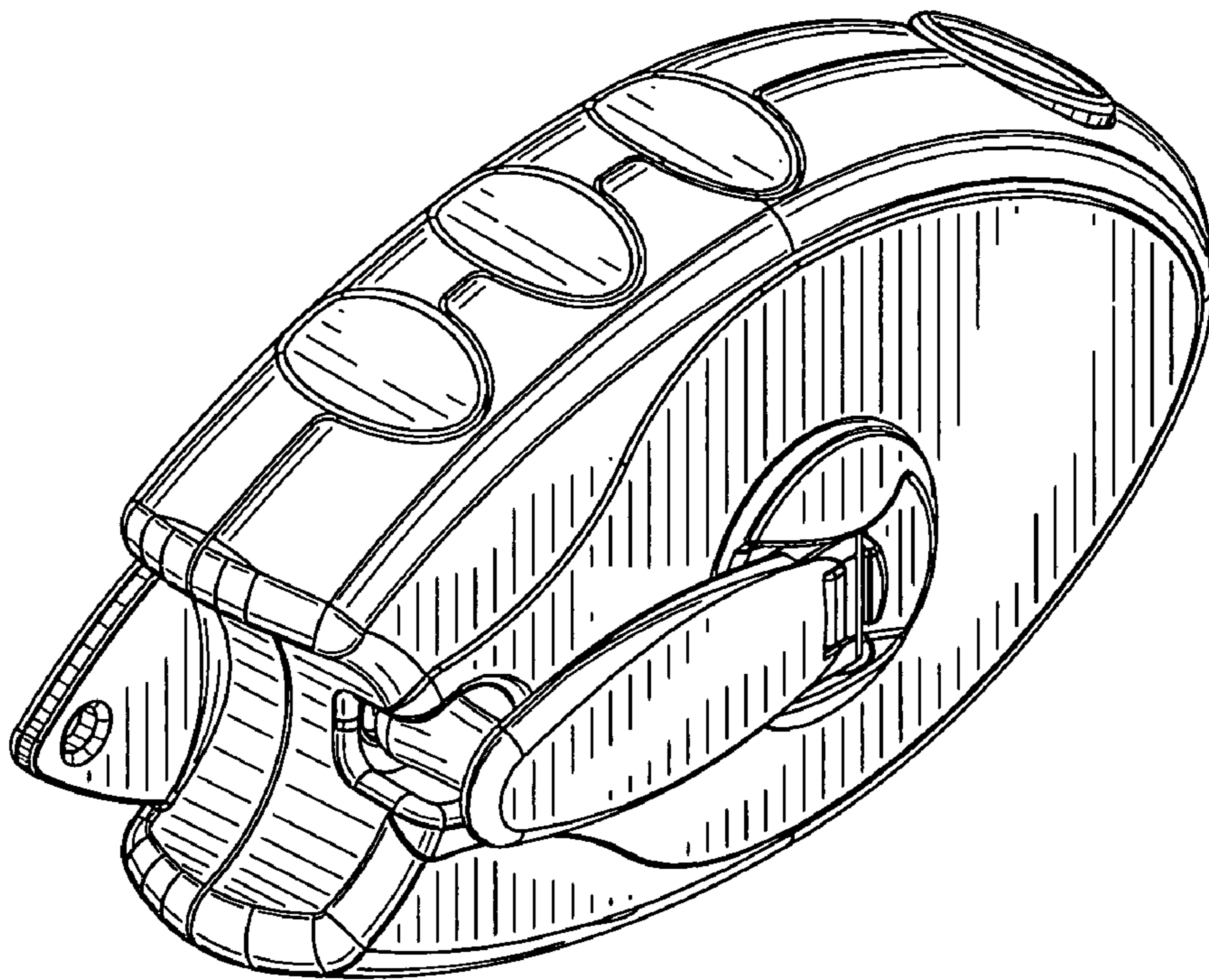


FIG. 2

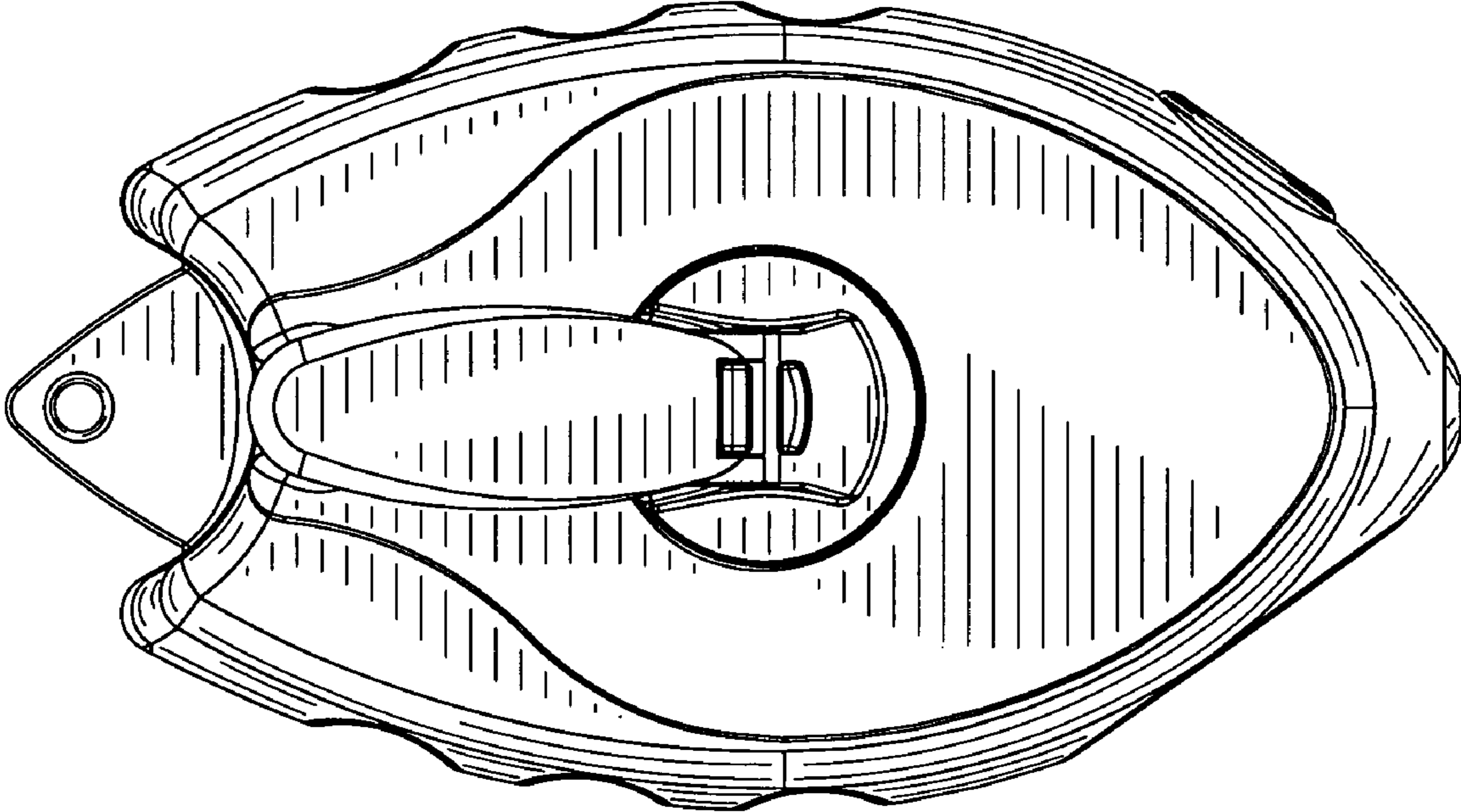


FIG. 3

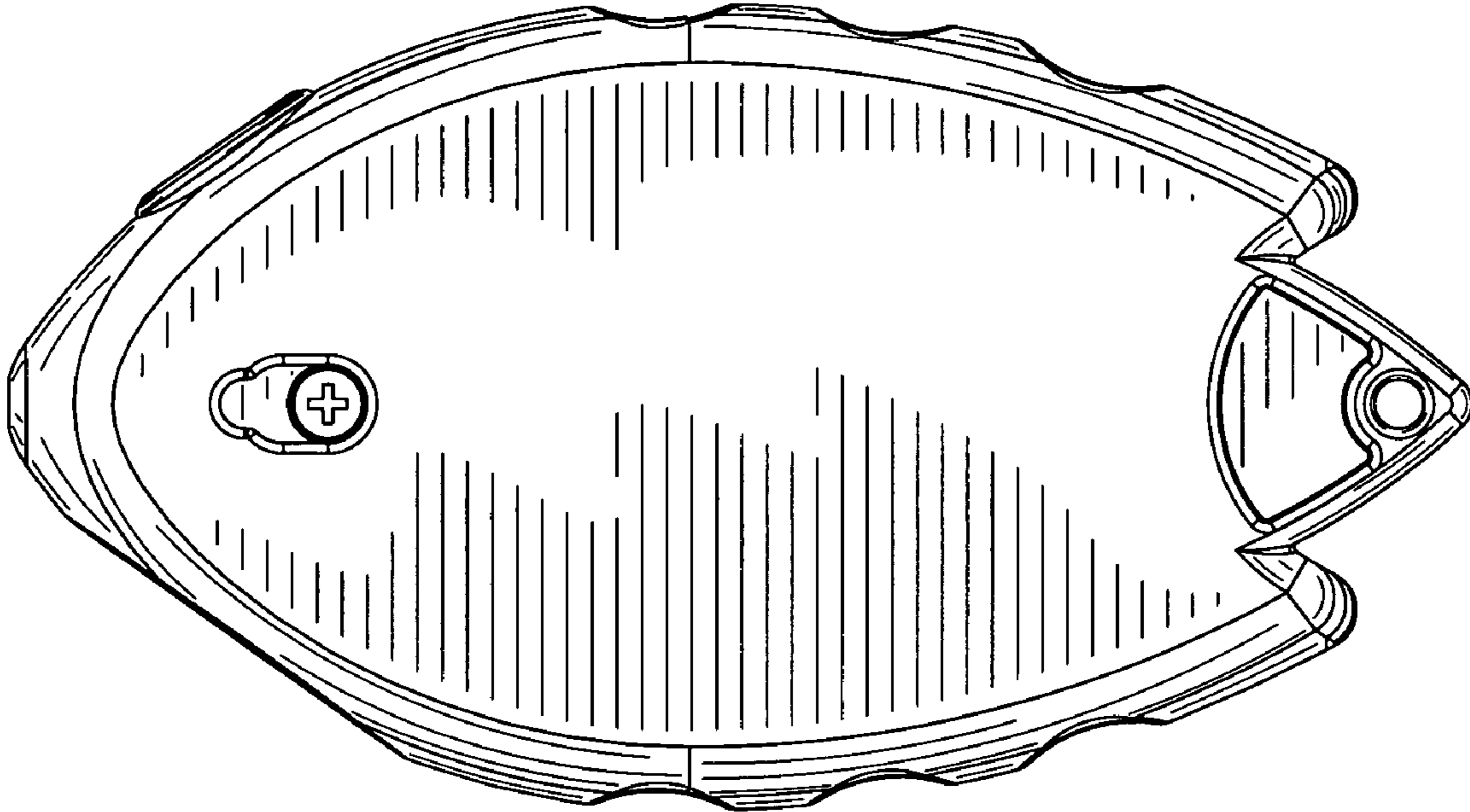


FIG. 4

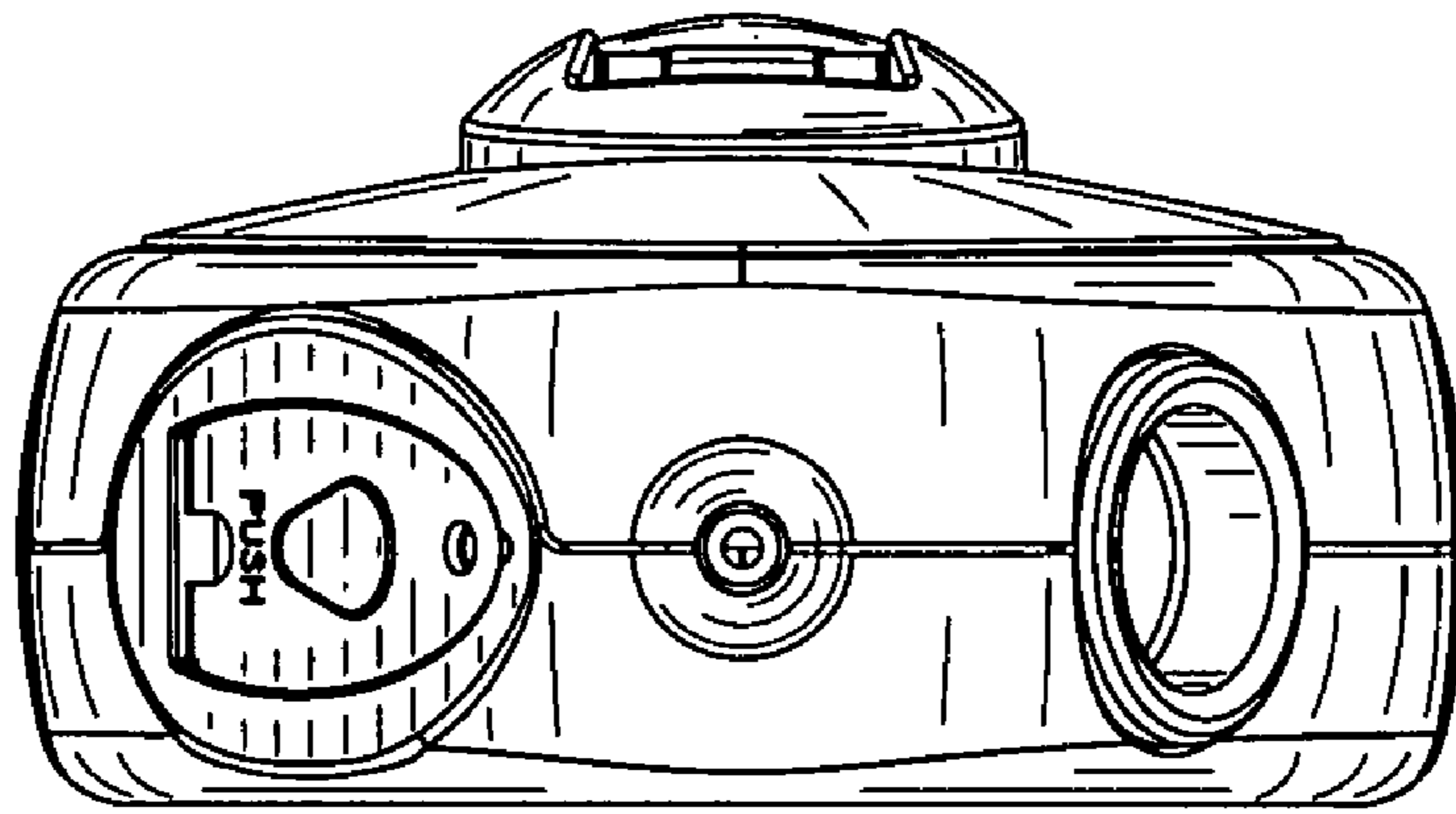


FIG. 5

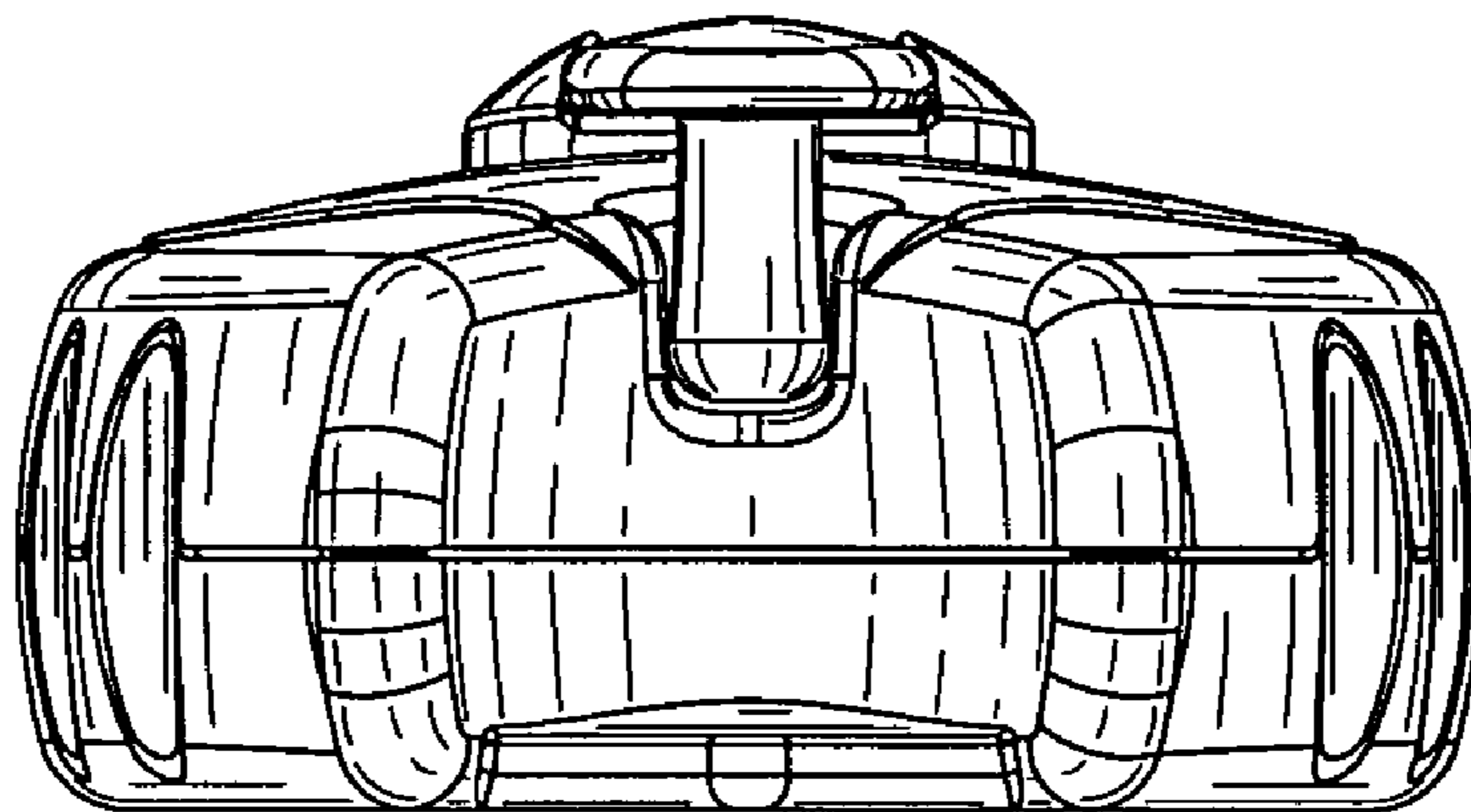


FIG. 6

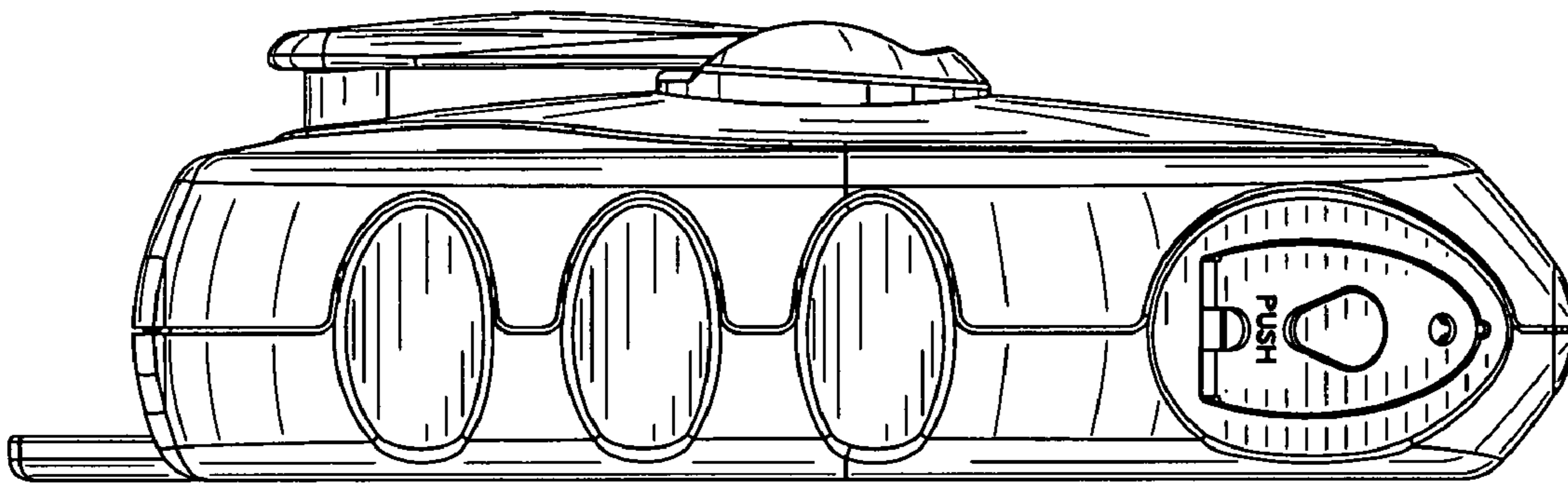


FIG. 7

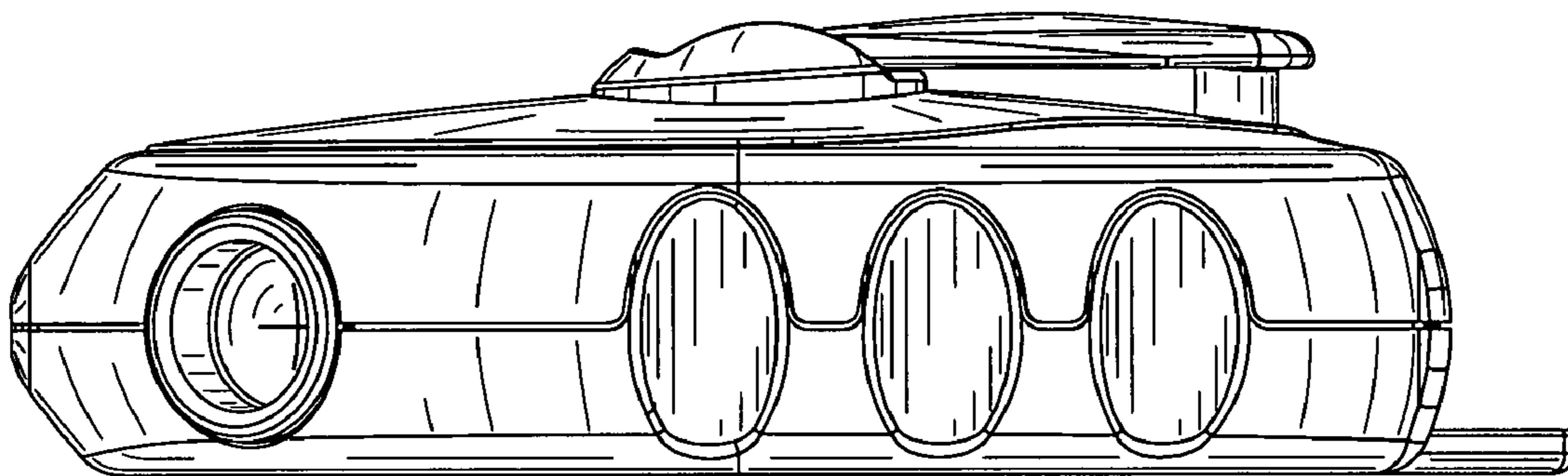


FIG. 8