

US00D570232S

(12) **United States Design Patent**
Kaluza

(10) **Patent No.:** **US D570,232 S**
(45) **Date of Patent:** **** Jun. 3, 2008**

(54) **OBJECT RECOGNITION SENSOR**

(75) Inventor: **Georg Kaluza**, Velbert (DE)

(73) Assignee: **IFM Electronic GmbH**, Essen (DE)

(**) Term: **14 Years**

(21) Appl. No.: **29/274,147**

(22) Filed: **Mar. 30, 2007**

(51) **LOC (8) Cl.** **10-04**

(52) **U.S. Cl.** **D10/46; D15/199**

(58) **Field of Classification Search** 382/103,
382/190, 228, 100, 145, 151; 342/109, 64,
342/62, 104; D10/46; D15/199; 250/559.19,
250/559.27, 559.22; 356/630

See application file for complete search history.

(56) **References Cited**

U.S. PATENT DOCUMENTS

7,170,075 B2 * 1/2007 Oberski et al. 250/559.27

OTHER PUBLICATIONS

U.S. Appl. No. 29/274,145 to Kaluza., filed Mar. 30, 2007.

U.S. Appl. No. 29/274,143 to Kaluza., filed Mar. 30, 2007.

U.S. Appl. No. 29/274,148 to Kaluza., filed Mar. 30, 2007.

* cited by examiner

Primary Examiner—Antoine D Davis

(74) *Attorney, Agent, or Firm*—Greenblum & Bernstein,
P.L.C.

(57) **CLAIM**

I claim the ornamental design for an object recognition sensor, as shown and described.

DESCRIPTION

FIG. 1 is a front perspective view of an embodiment of an object recognition sensor, showing my new design;

FIG. 2 is a front elevational view of the embodiment of FIG. 1;

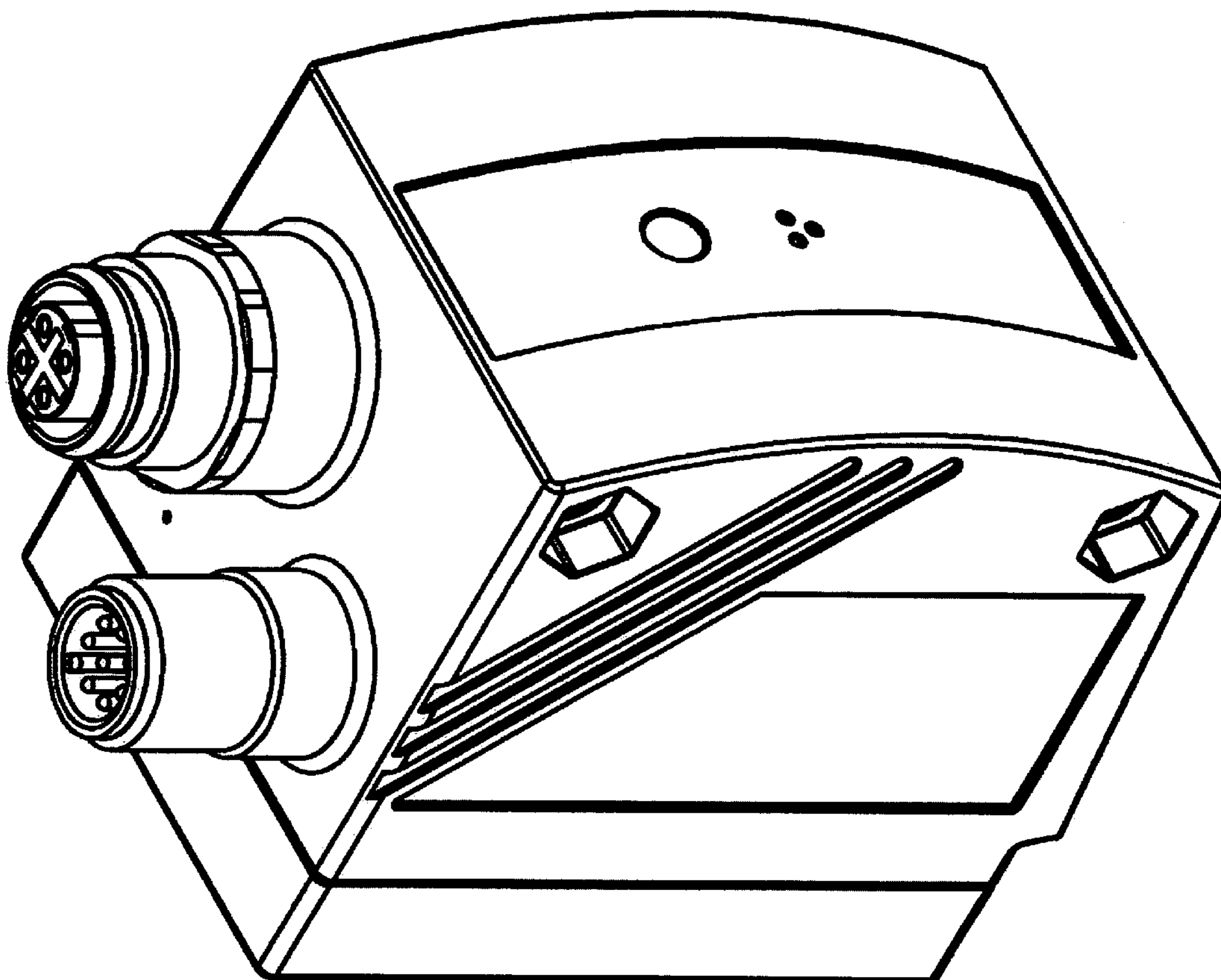
FIG. 3 is a rear elevational view of the embodiment of FIG. 1;

FIG. 4 is a left side elevational view of the embodiment of FIG. 1;

FIG. 5 is right side elevational view of the embodiment of FIG. 1;

FIG. 6 is a top plan view of the embodiment of FIG. 1; and,
FIG. 7 is a bottom plan view of the embodiment of FIG. 1.

1 Claim, 7 Drawing Sheets



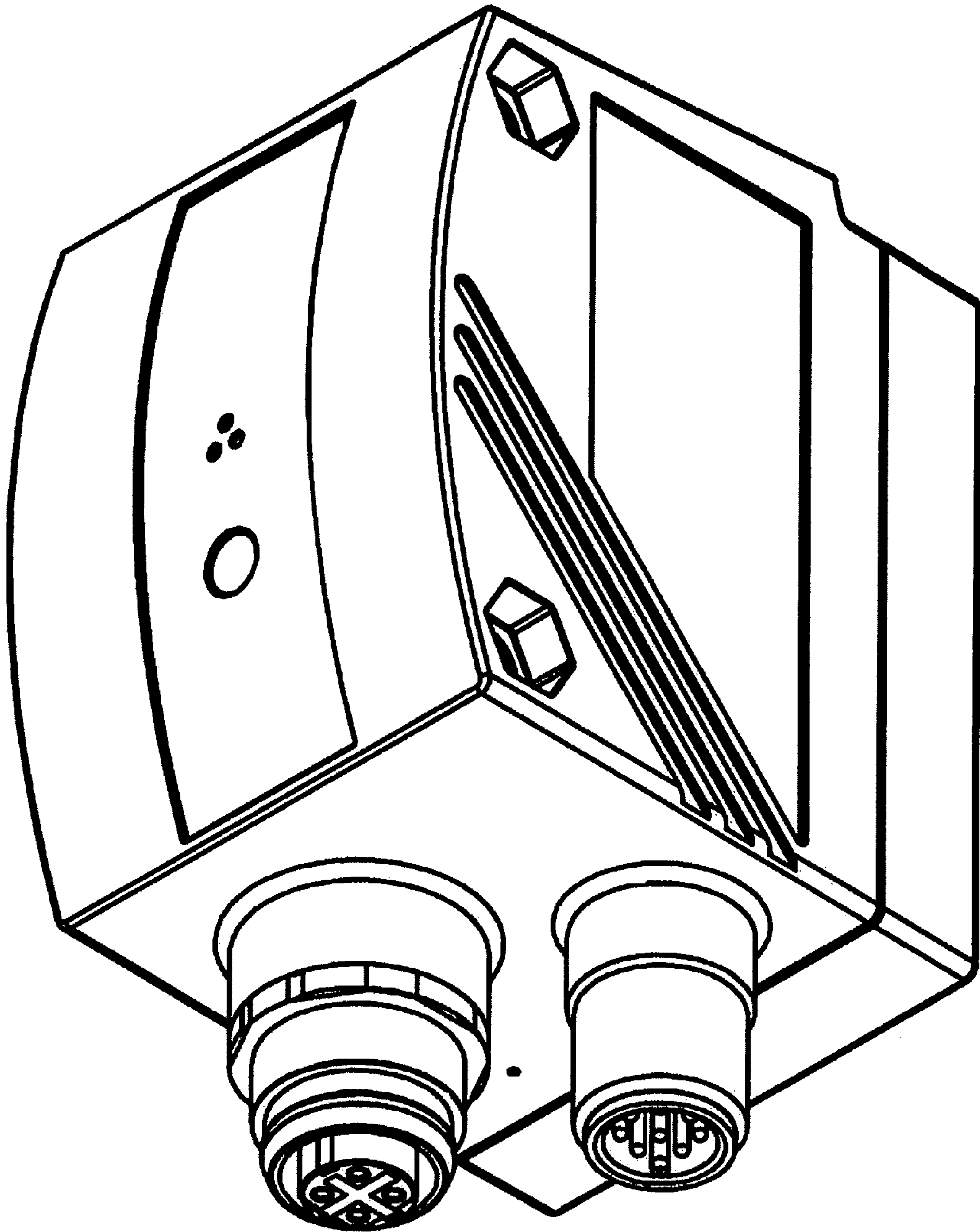


FIG. 1

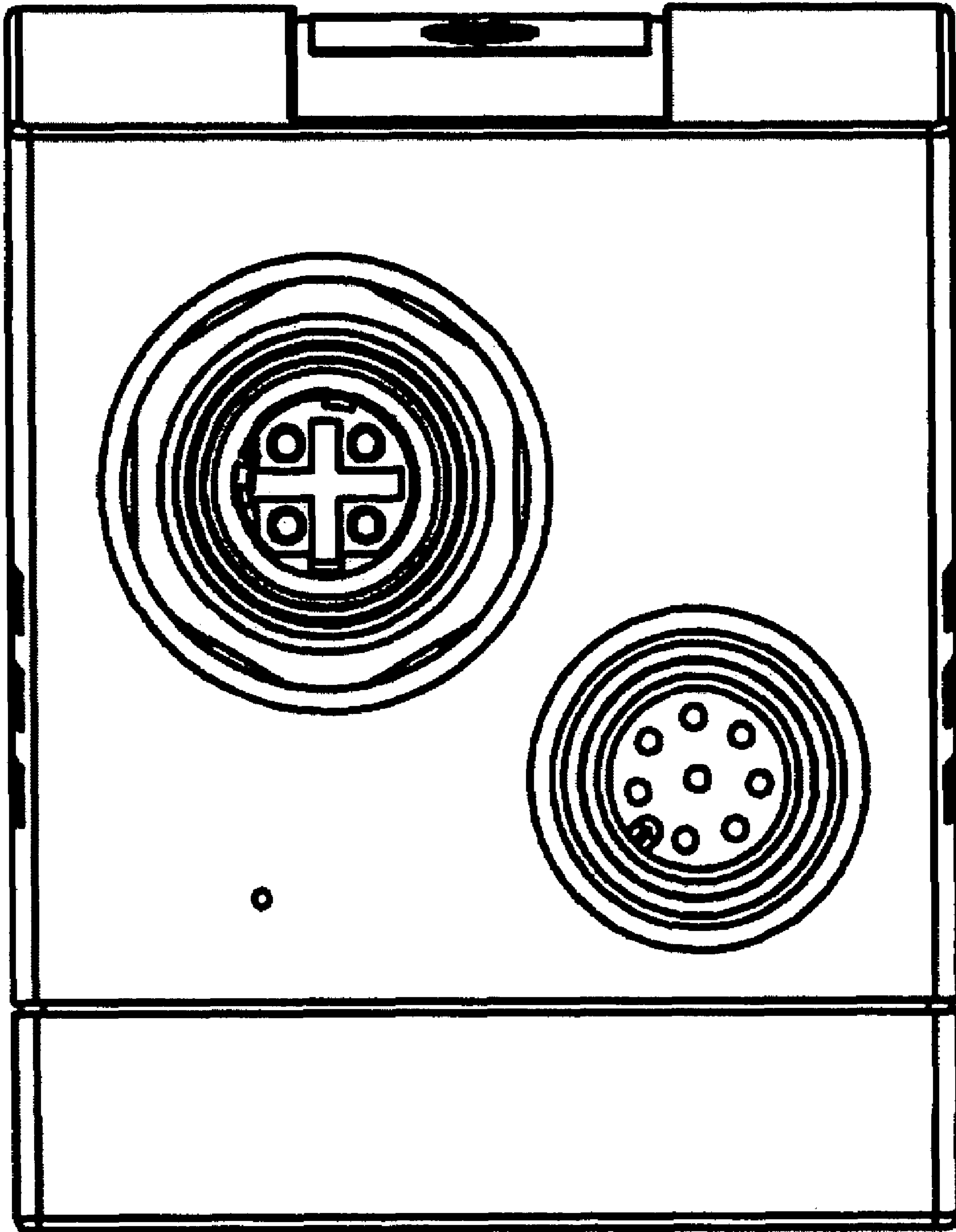


FIG. 2

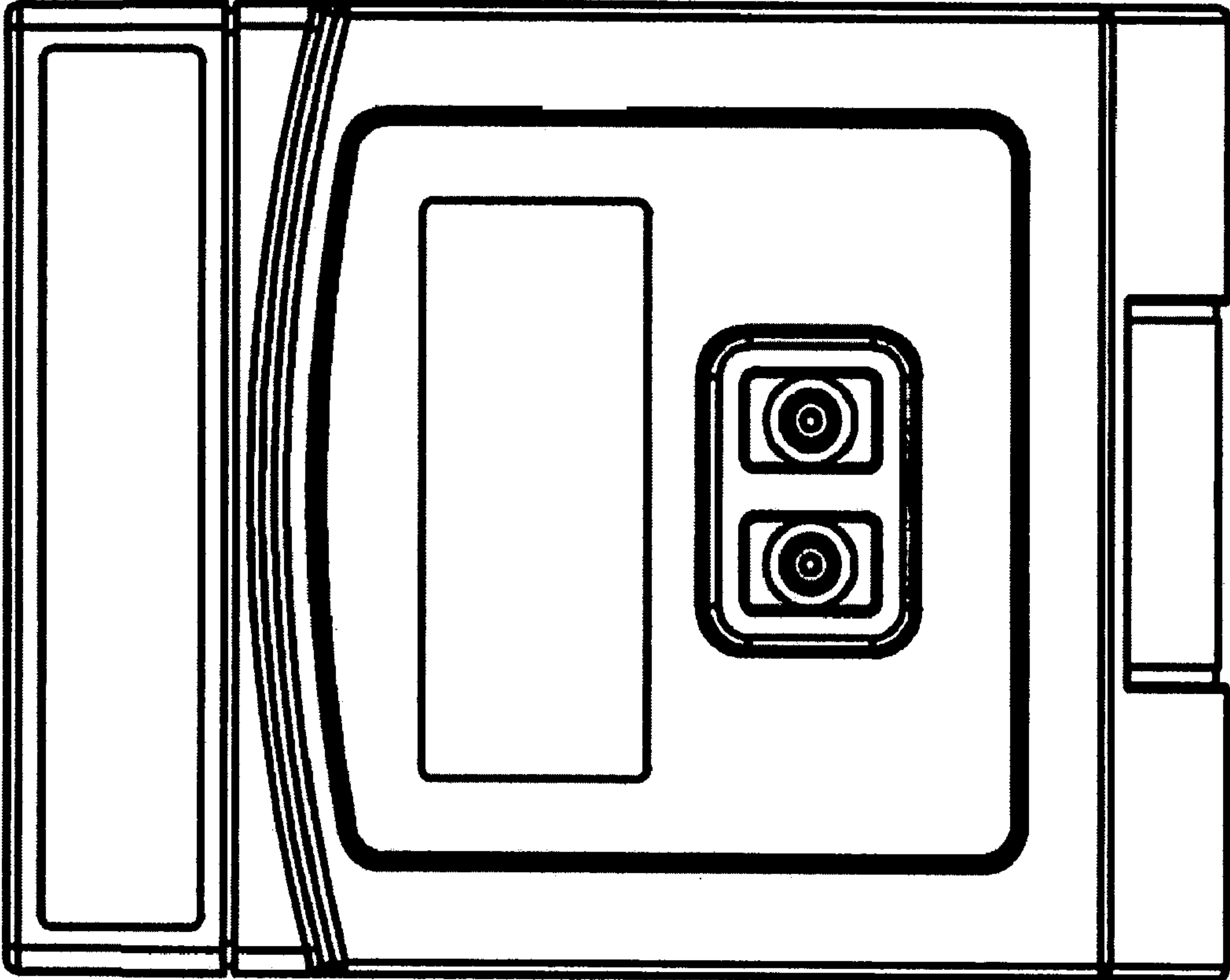


FIG. 3

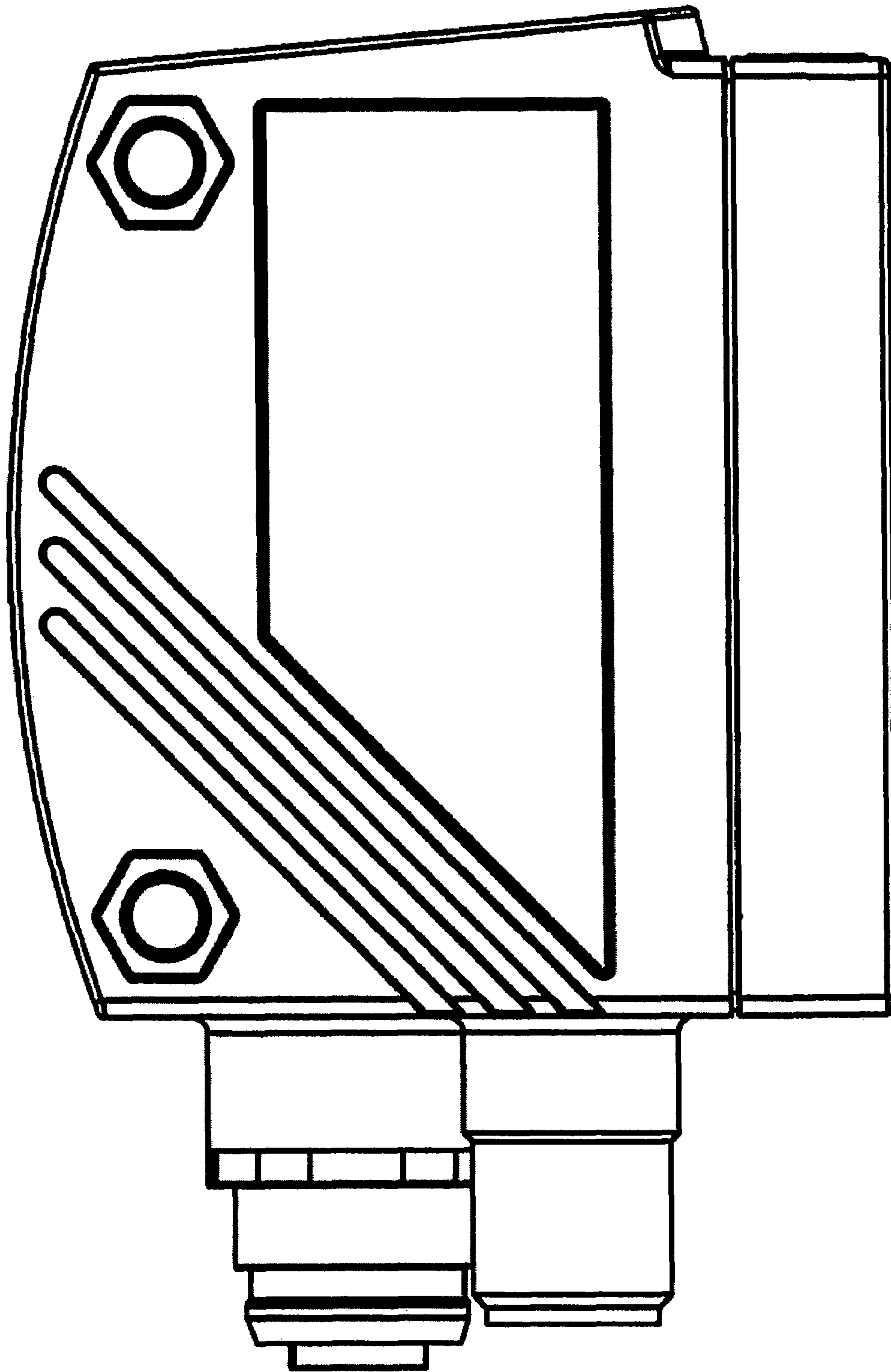


FIG. 4

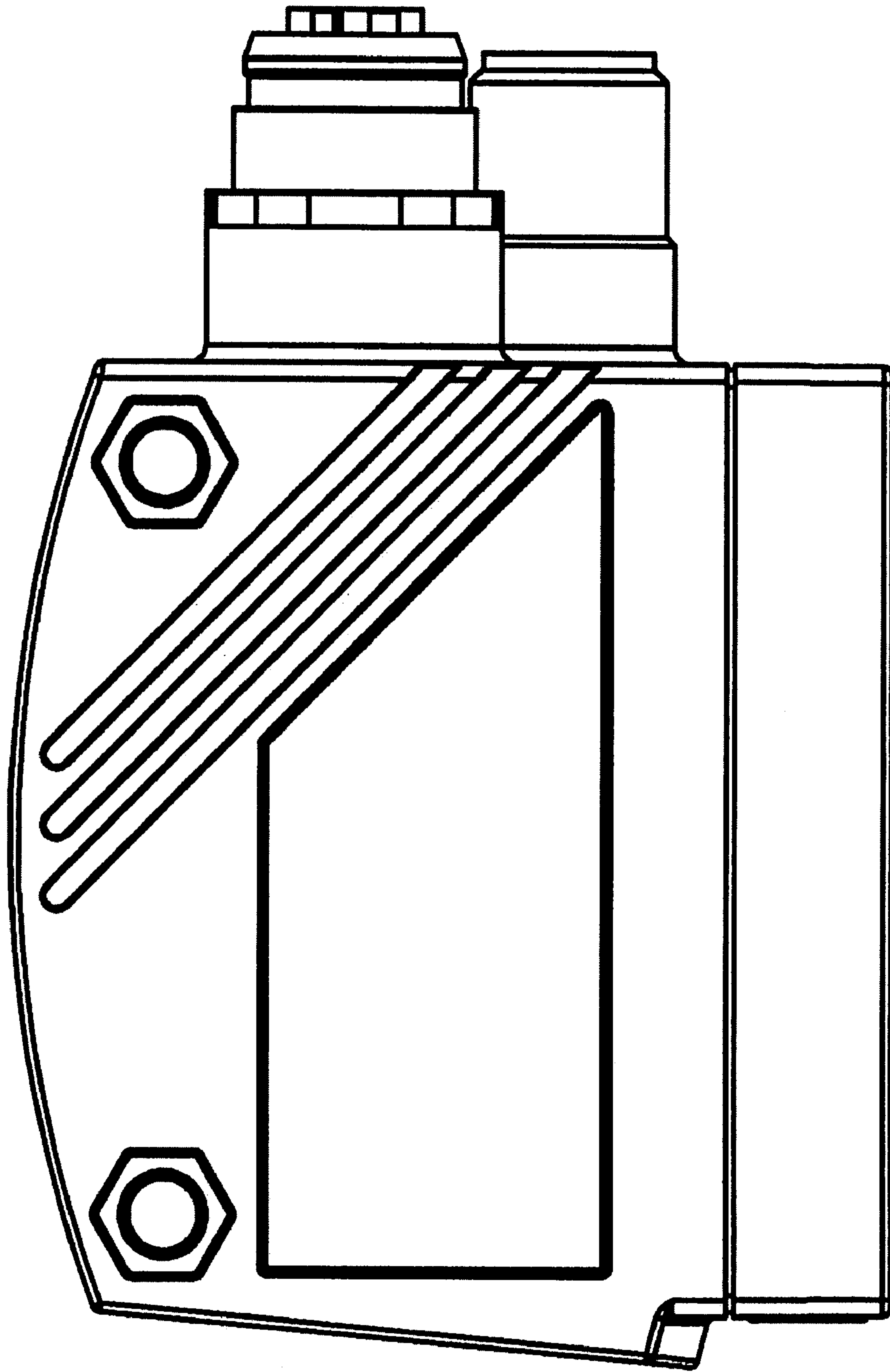


FIG. 5

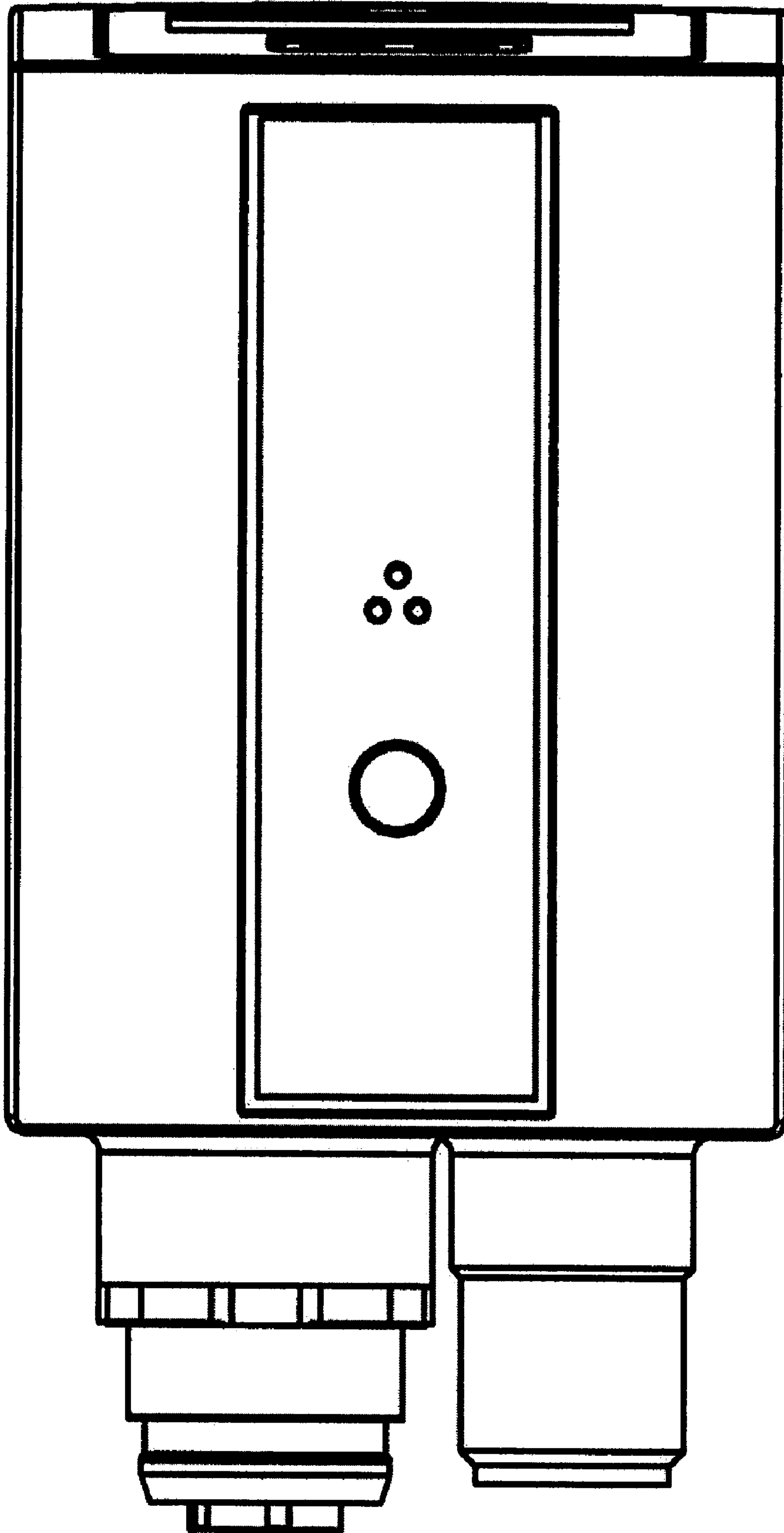


FIG. 6

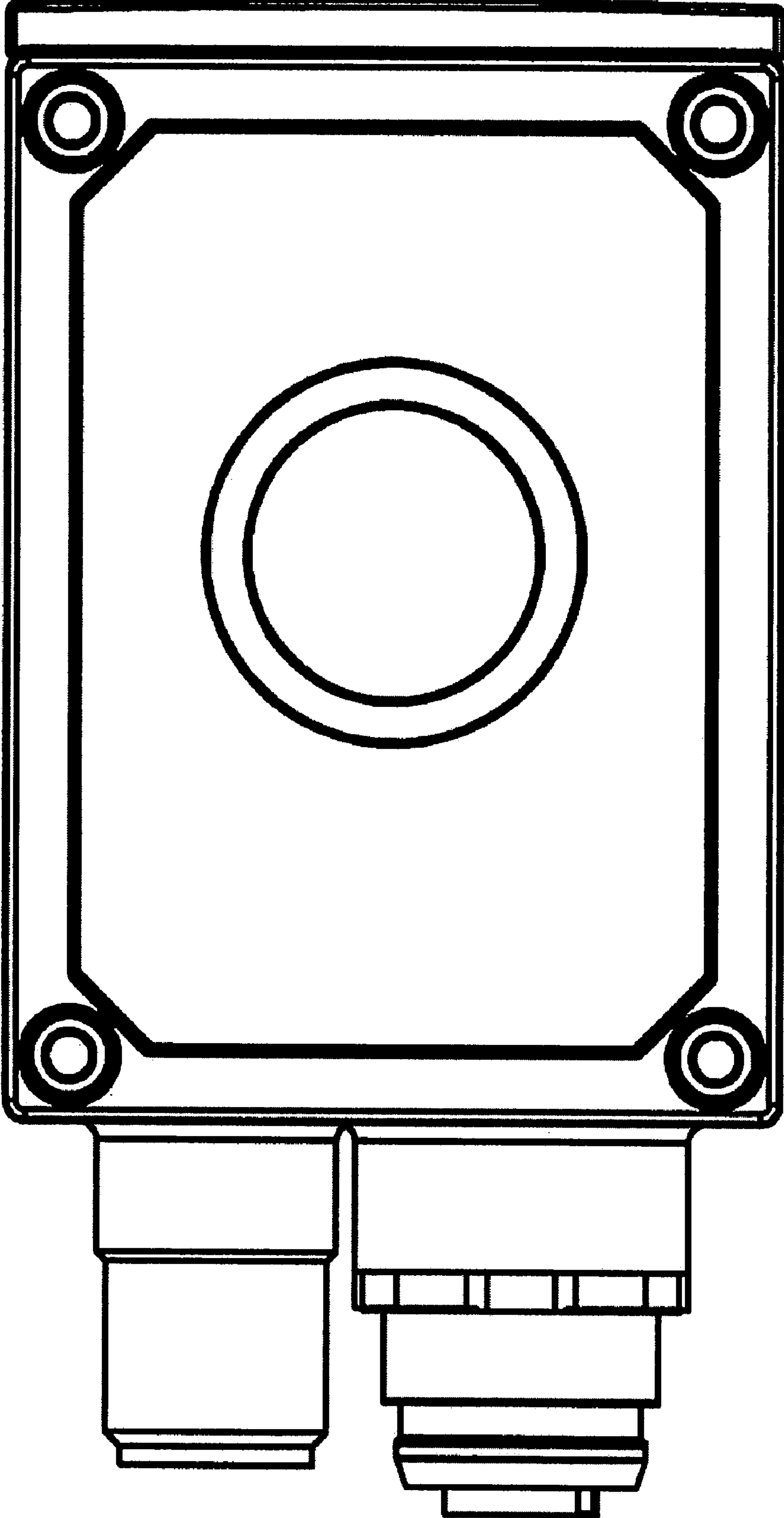


FIG. 7