

US00D570229S

(12) **United States Design Patent**  
**Ellia**

(10) **Patent No.:** **US D570,229 S**  
(45) **Date of Patent:** **\*\* Jun. 3, 2008**

(54) **WATCH**

(75) Inventor: **Guy Ellia**, Paris (FR)

(73) Assignee: **Societe Generale De Marques, SGM**  
(CH)

(\*\*) Term: **14 Years**

(21) Appl. No.: **29/266,757**

(22) Filed: **Sep. 26, 2006**

(30) **Foreign Application Priority Data**

Mar. 27, 2006 (EM) ..... 000510094-0004

(51) **LOC (8) Cl.** ..... **10-02**

(52) **U.S. Cl.** ..... **D10/30**

(58) **Field of Classification Search** ..... D10/30-40,  
D10/122-132; D11/3-25; 224/164-168;  
368/10, 21, 28-30, 223, 228, 232, 234, 239-242,  
368/276-277, 280-283, 285, 294-295, 308,  
368/319-321

See application file for complete search history.

(56) **References Cited**

**U.S. PATENT DOCUMENTS**

D399,435 S \* 10/1998 Gogniat ..... D10/39

D445,697 S \* 7/2001 Hysek ..... D10/30  
D454,310 S \* 3/2002 Dostourian ..... D10/30  
D454,802 S \* 3/2002 Hegi ..... D10/39  
D487,404 S \* 3/2004 Dubarry ..... D10/39  
D491,476 S \* 6/2004 Chodat ..... D10/39  
D495,613 S \* 9/2004 Ellia ..... D10/39  
D498,683 S \* 11/2004 Arabov ..... D10/39  
D513,390 S \* 1/2006 Gueit ..... D10/39  
D540,200 S \* 4/2007 Chastaingt ..... D10/39  
D544,376 S \* 6/2007 Chodat ..... D10/38

\* cited by examiner

*Primary Examiner*—Caron D. Veynar

*Assistant Examiner*—Ricky Pham

(74) *Attorney, Agent, or Firm*—Kusner & Jaffe

(57) **CLAIM**

The ornamental design for a watch, as shown and described.

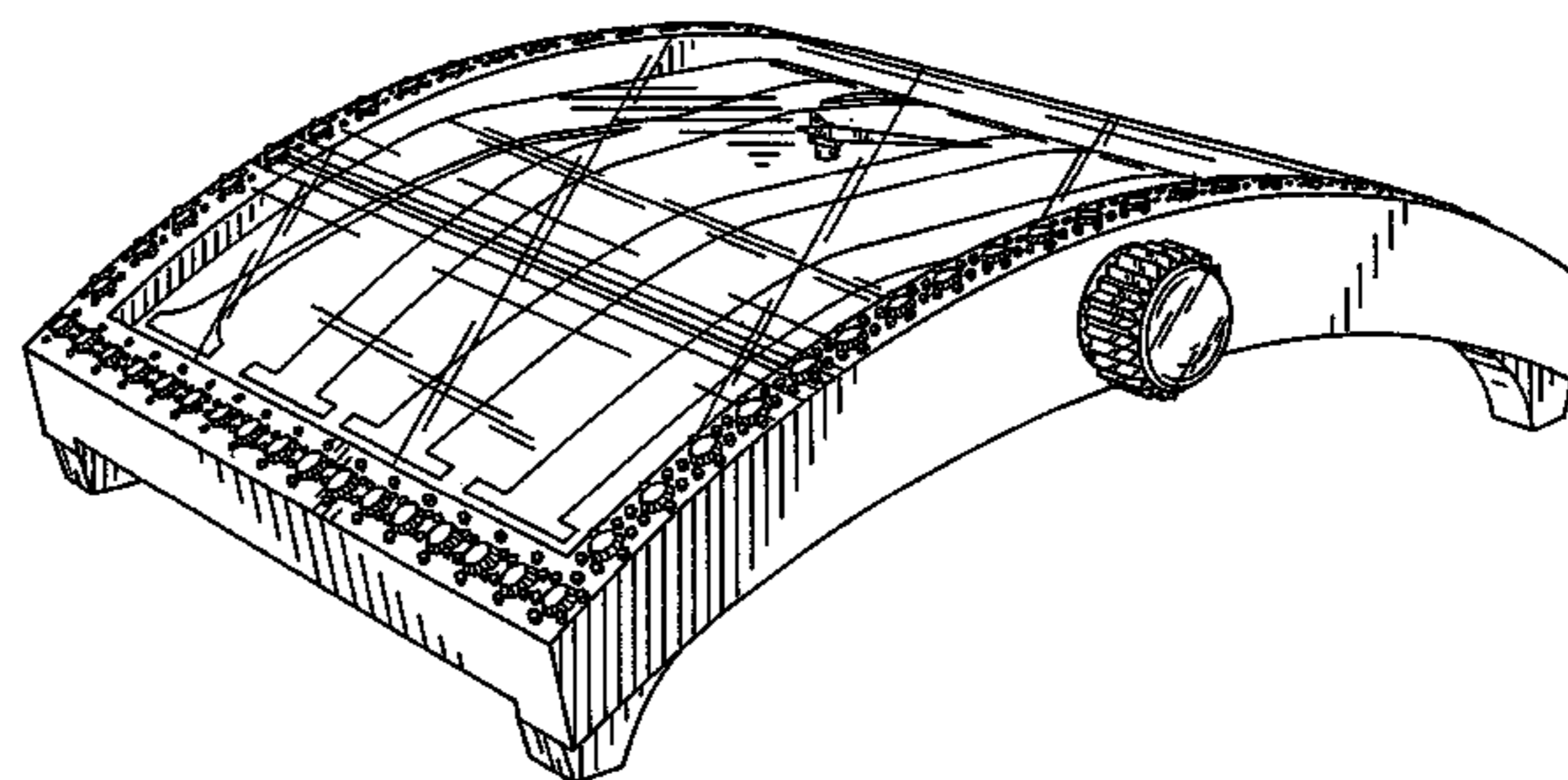
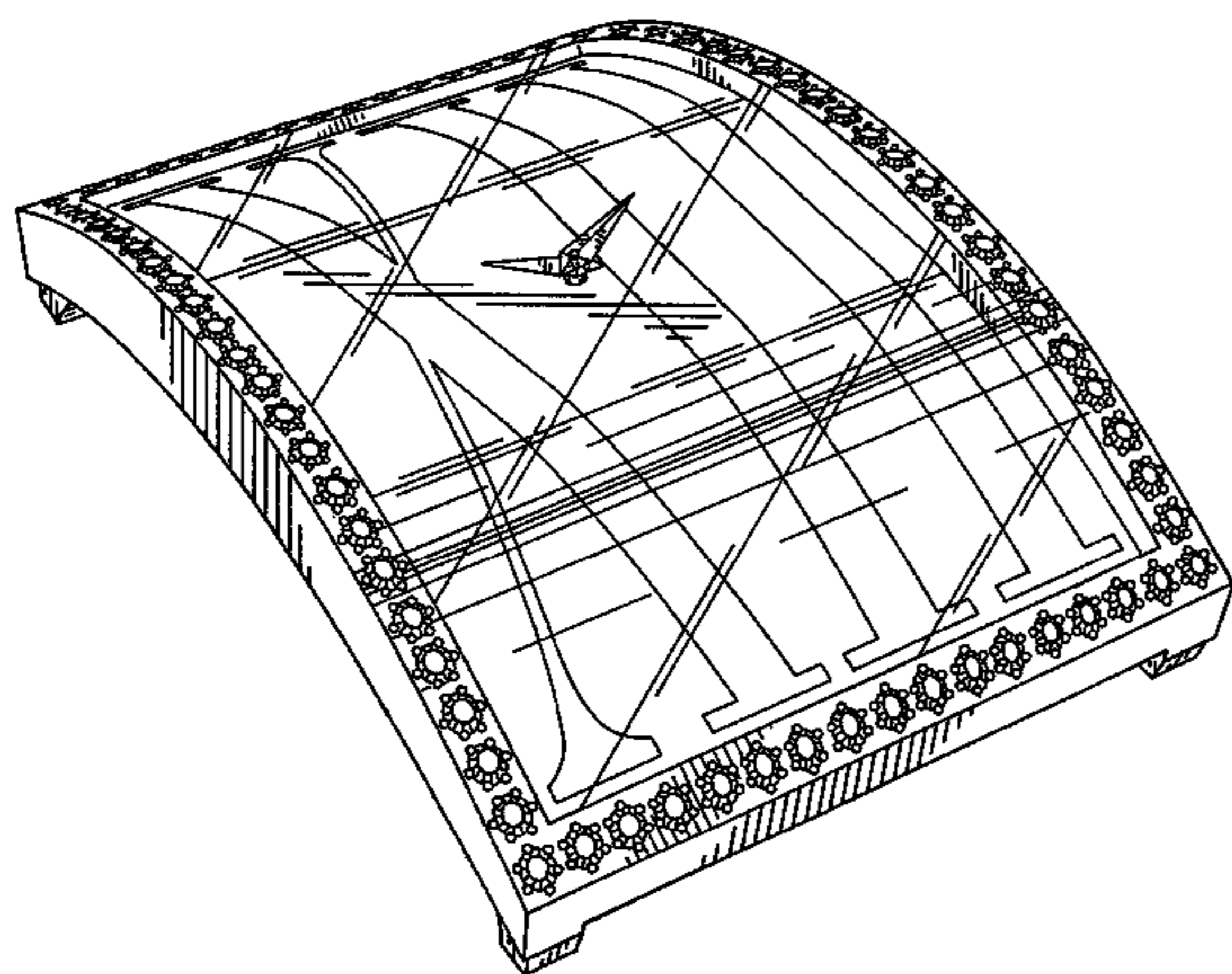
**DESCRIPTION**

FIG. 1 is a left side, top perspective view of a watch illustrating my new design; and,

FIG. 2 is a right side, top perspective view thereof.

The rear side view is a mirror image of the front side view. The bottom plan view forms no part of the claimed design.

**1 Claim, 1 Drawing Sheet**



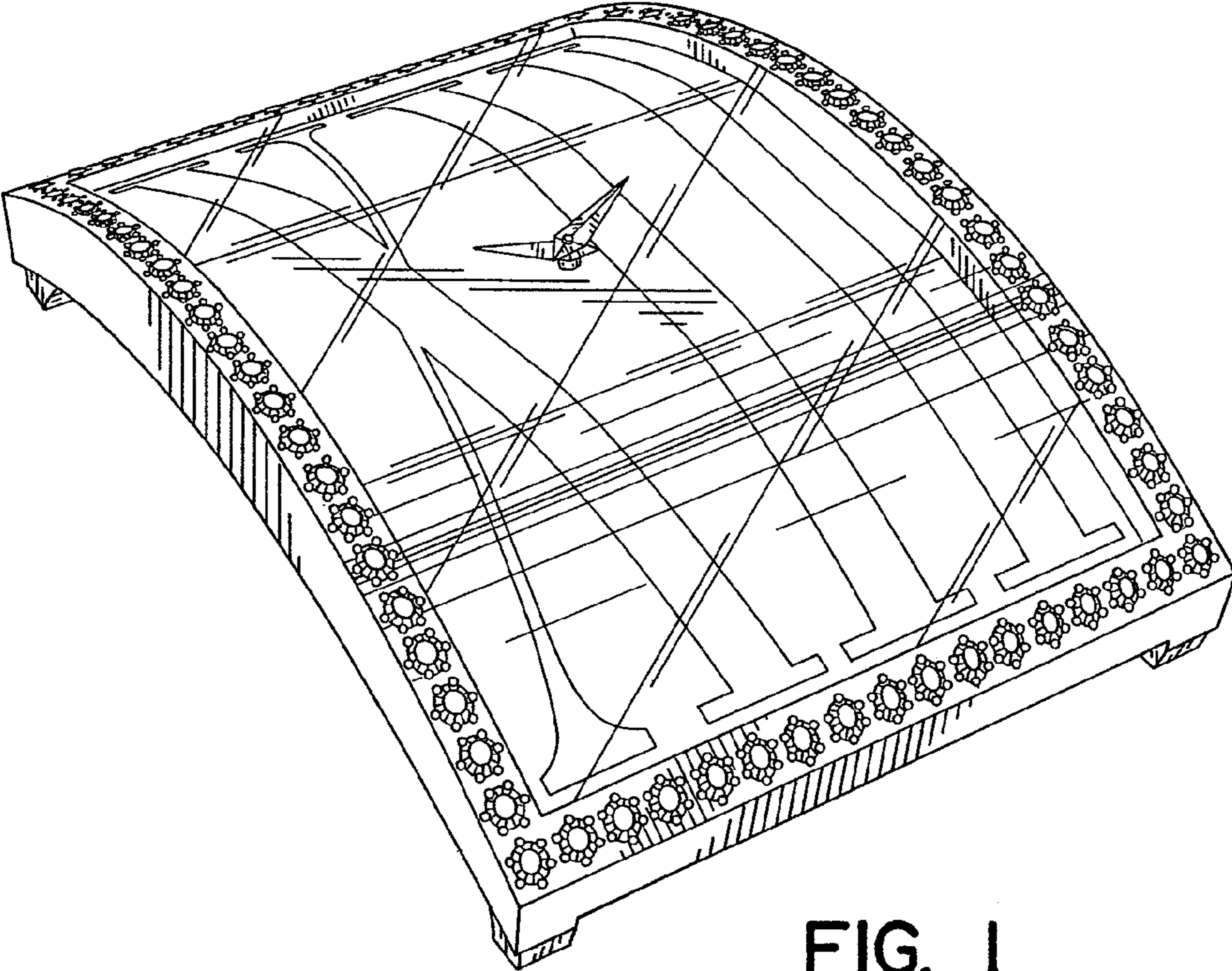


FIG. 1

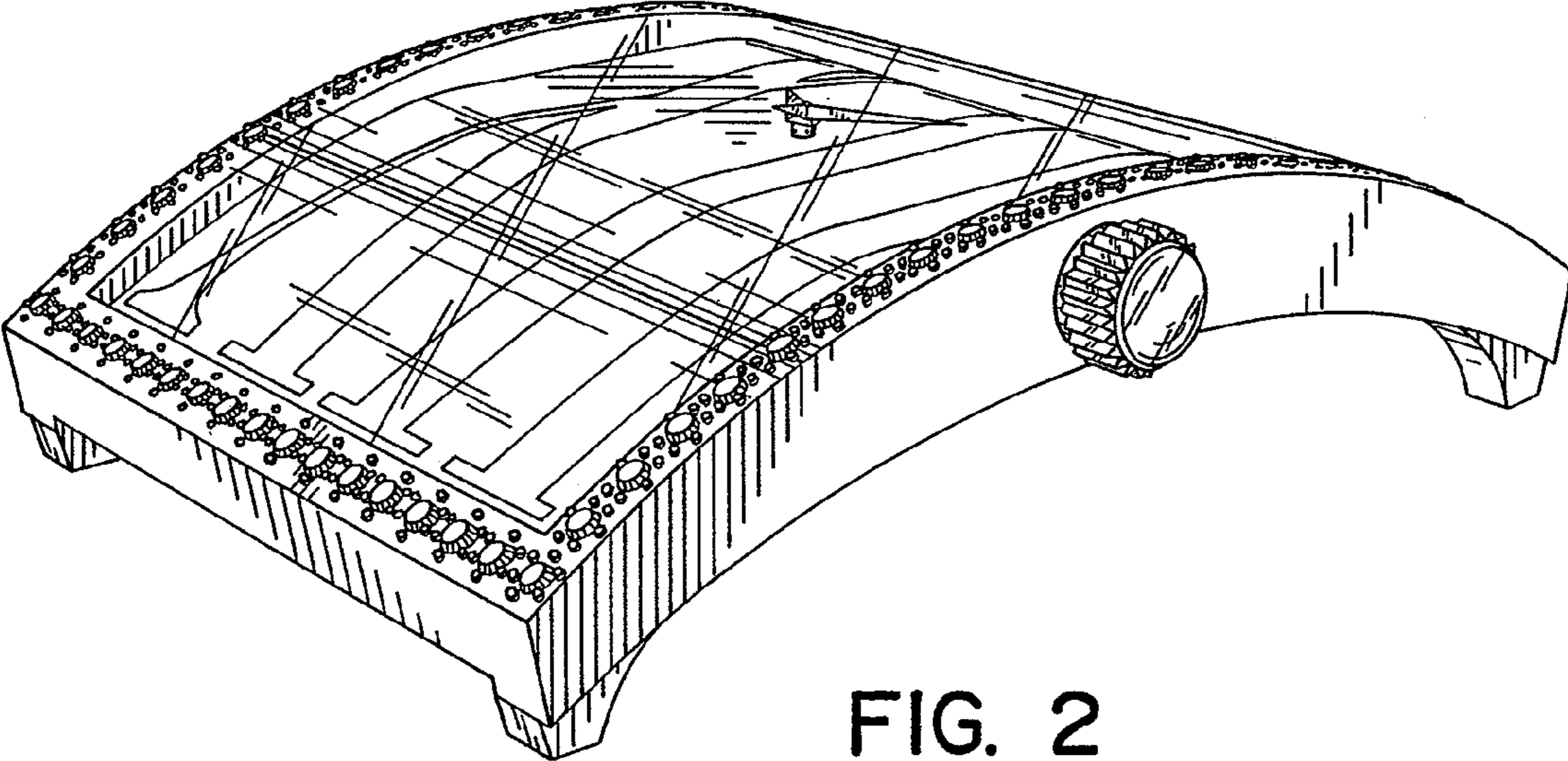


FIG. 2