



US00D570223S

(12) **United States Design Patent**
White

(10) **Patent No.:** **US D570,223 S**

(45) **Date of Patent:** **** Jun. 3, 2008**

(54) **BOTTLE**

D527,270 S * 8/2006 Ungrady D9/538
D531,910 S * 11/2006 Melrose D9/538
D539,661 S * 4/2007 Eble D9/553

(75) Inventor: **Jeremy White**, Barrington, IL (US)

(73) Assignee: **Stokely-Van Camp, Inc.**, Chicago, IL (US)

* cited by examiner

(**) Term: **14 Years**

Primary Examiner—Ian Simmons

Assistant Examiner—Dana L Sipos

(74) *Attorney, Agent, or Firm*—Banner & Witcoff, Ltd.

(21) Appl. No.: **29/265,965**

(57) **CLAIM**

(22) Filed: **Sep. 11, 2006**

The ornamental design for a bottle, as shown and described.

(51) **LOC (8) Cl.** **09-01**

(52) **U.S. Cl.** **D9/540**

(58) **Field of Classification Search** D9/516,
D9/520, 537–540, 549–550, 552, 556–559,
D9/565, 571; 215/381–385; 220/660, 662,
220/669–673, 675

See application file for complete search history.

DESCRIPTION

FIG. 1 is a top, front, left side perspective view of a bottle showing my new design;

FIG. 2 is a right side elevational view thereof;

FIG. 3 is a front elevational view thereof;

FIG. 4 is top plan view thereof; and,

FIG. 5 is a bottom plan view thereof.

The dash lines shown in the drawings are for illustrative purposes only and form no part of the claimed design.

The short dash-long dash broken line(s) in the drawings define the bounds of the claim and form no part thereof.

(56) **References Cited**

U.S. PATENT DOCUMENTS

D320,154 S * 9/1991 Alberghini et al. D9/520
D467,813 S * 12/2002 Silvers et al. D9/538
D469,359 S * 1/2003 Bryant et al. D9/538
D469,696 S * 2/2003 Bryant et al. D9/538
D476,896 S * 7/2003 Cheng et al. D9/520
D495,602 S * 9/2004 Daly et al. D9/516

1 Claim, 4 Drawing Sheets

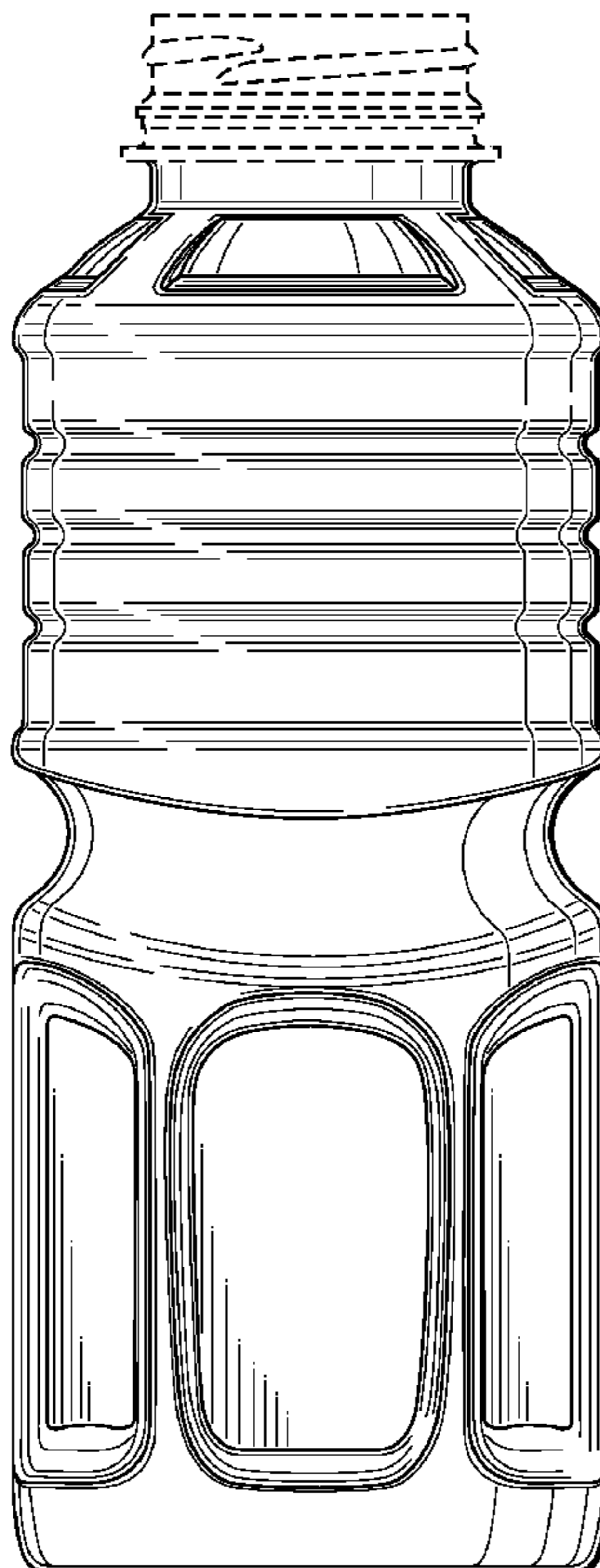


Fig. 1

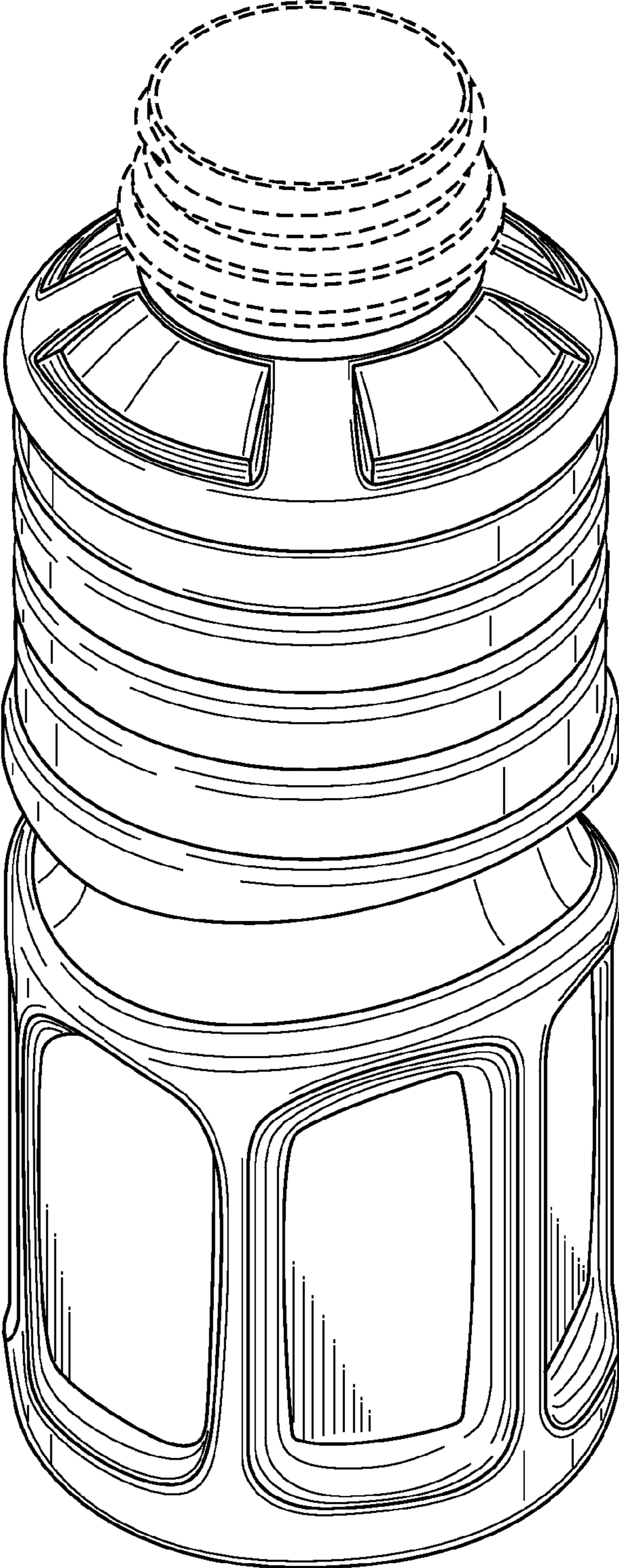


Fig. 2

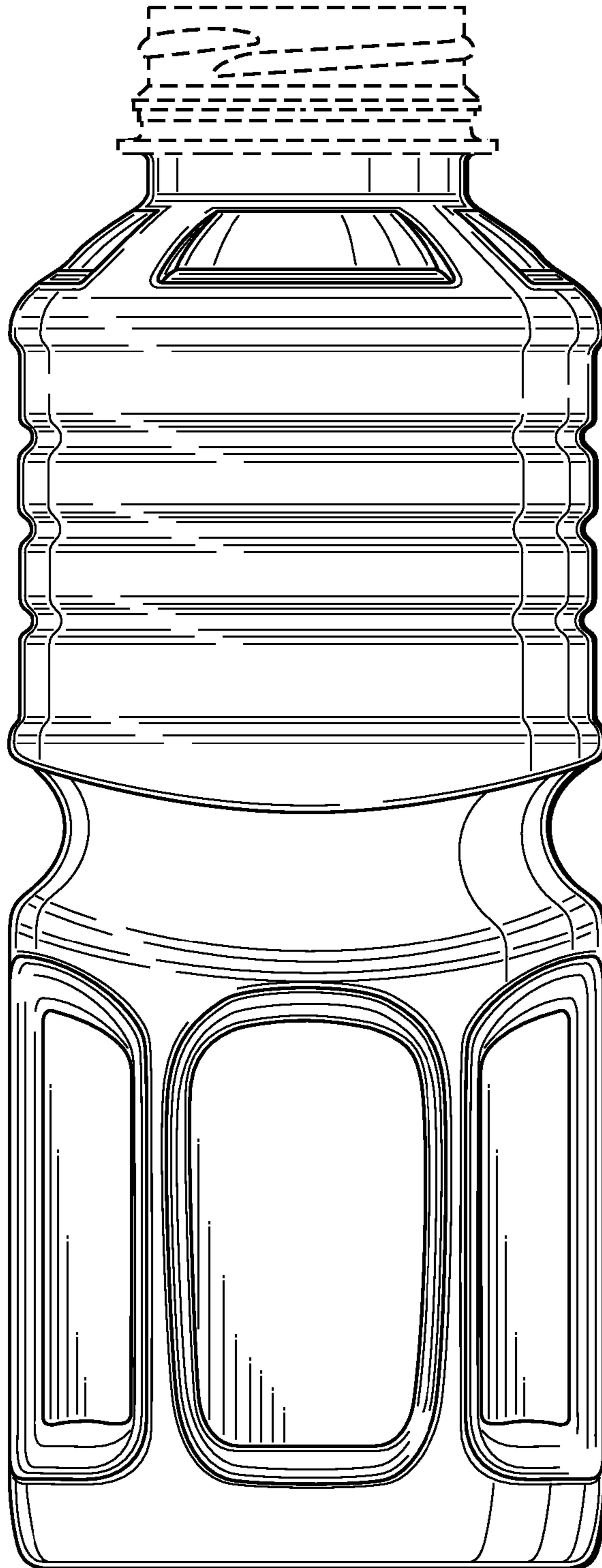


Fig. 3

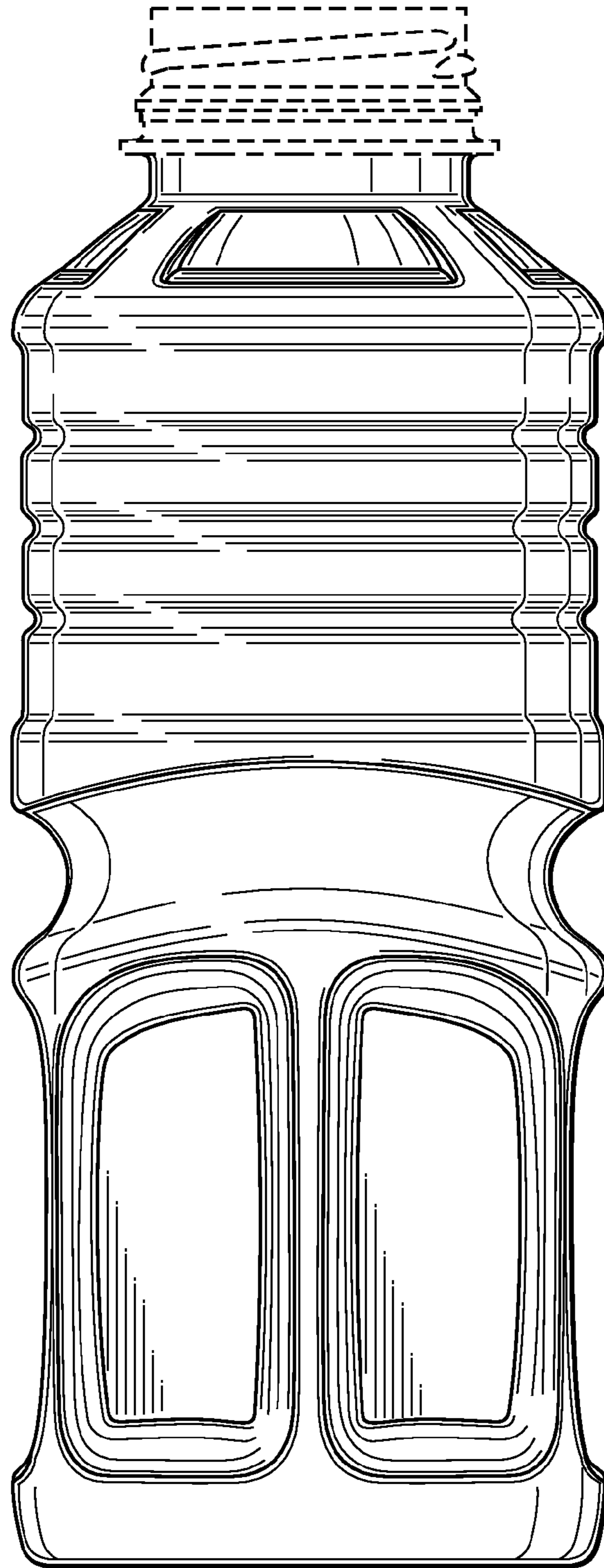


Fig. 4

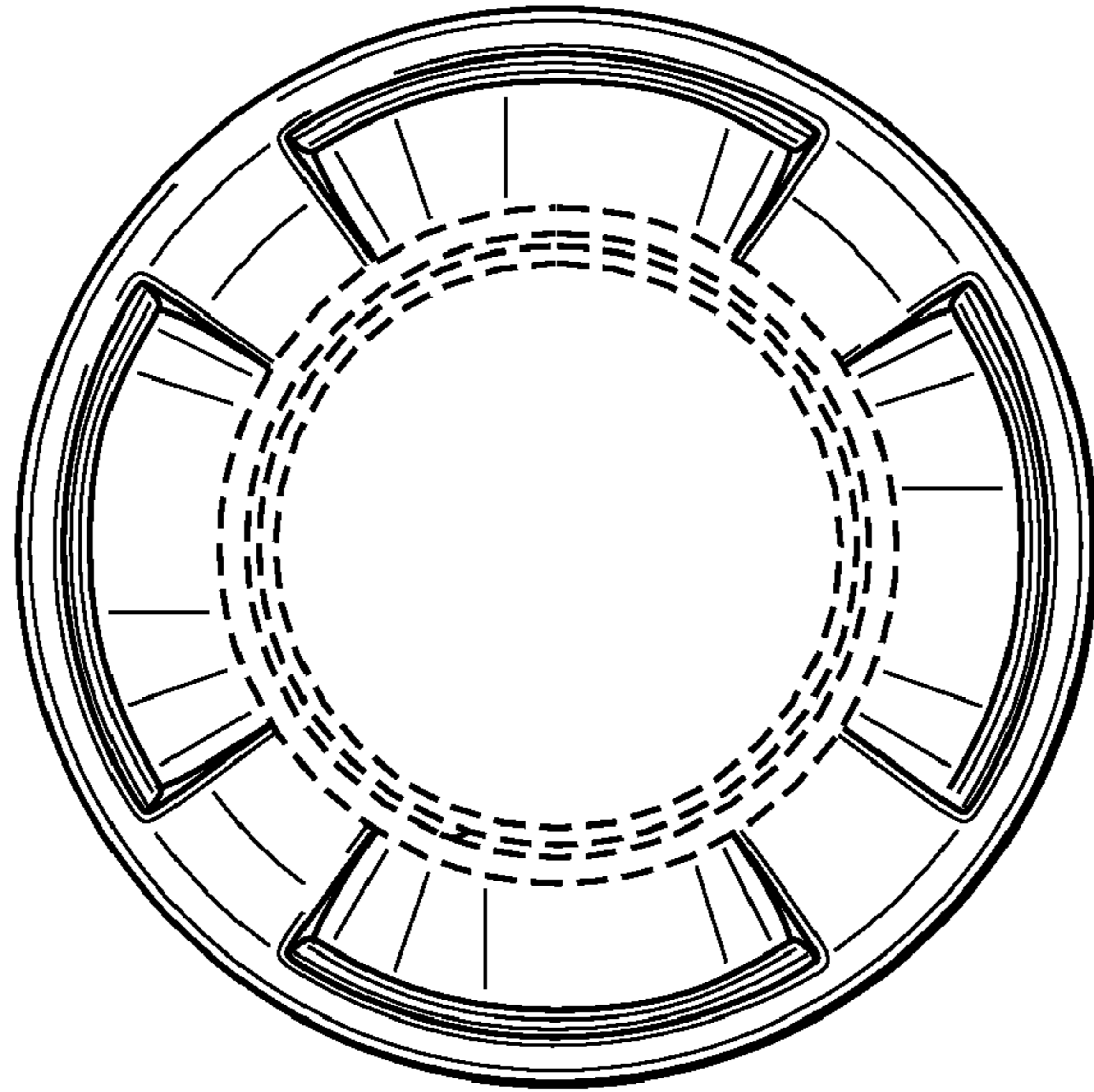


Fig. 5

