

US00D570218S

(12) **United States Design Patent** (10) **Patent No.:** **US D570,218 S**
Crawford et al. (45) **Date of Patent:** **** Jun. 3, 2008**

<p>(54) UPPER PORTION OF A CONTAINER</p> <p>(75) Inventors: John C. Crawford, Mahopac, NY (US); Roland Charriez, Mohegan Lake, NY (US)</p> <p>(73) Assignee: Colgate-Palmolive Company, New York, NY (US)</p> <p>(**) Term: 14 Years</p> <p>(21) Appl. No.: 29/278,219</p> <p>(22) Filed: Mar. 22, 2007</p>	<p>D302,660 S * 8/1989 Durand D9/574</p> <p>D302,792 S 8/1989 Dinand</p> <p>D316,969 S 5/1991 Wiseman et al.</p> <p>D321,132 S 10/1991 Wiseman et al.</p> <p>D322,029 S 12/1991 Caputo</p> <p>D353,775 S * 12/1994 Thompson D9/545</p> <p>D357,856 S 5/1995 Kudo et al.</p> <p>D369,294 S 4/1996 Hirato</p> <p>D376,310 S 12/1996 Crawford</p> <p>D378,276 S 3/1997 Kotoucek et al.</p> <p>D381,261 S 7/1997 Crawford</p> <p>D382,804 S * 8/1997 Boucheron D9/564</p>
--	---

(Continued)

FOREIGN PATENT DOCUMENTS

AU 96326 6/2006

(Continued)

Primary Examiner—Stella M. Reid
Assistant Examiner—Elizabeth J Oswecki
(74) *Attorney, Agent, or Firm*—Michael J. Wallace

(51) **LOC (8) Cl.** **09-01**

(52) **U.S. Cl.** **D9/516; D9/545**

(58) **Field of Classification Search** D9/500, D9/502, 505, 516, 522, 530, 537, 539, 540, D9/542, 543, 544, 545, 549, 571, 574, 575, D9/687, 689, 691; 215/381–385, 396, 398
See application file for complete search history.

(56) **References Cited**

U.S. PATENT DOCUMENTS

D68,340 S	9/1925	Oppenheim, Jr.	
D71,162 S *	9/1926	Smith	D9/544
D95,888 S	6/1935	Adams	
D102,283 S	12/1936	Marrow	
D124,748 S	1/1941	Lloyd	
D129,515 S *	9/1941	Payne	D9/544
D136,219 S	8/1943	Breeden	
D143,656 S *	1/1946	Graham	D9/544
D157,508 S	2/1950	Montenier	
D201,220 S	5/1965	Lorenzen	
D207,801 S	5/1967	Roberts	
D222,611 S	11/1971	Strand	
D228,281 S	9/1973	Hoffman	
D229,544 S	12/1973	Weckman	
D241,418 S	9/1976	Koenigsberg	
D245,317 S	8/1977	Pardo	
D263,931 S	4/1982	de Nola	
D265,975 S	8/1982	Vaissanvin	
D278,411 S	4/1985	Reitzel et al.	
D284,739 S	7/1986	Thieffry	

(57) **CLAIM**

The ornamental design for an upper portion of a container, as shown and described.

DESCRIPTION

FIG. 1 is a perspective view of the upper portion of a container of our design.

FIG. 2 is a front elevation view thereof.

FIG. 3 is a rear elevation view thereof.

FIG. 4 is a left side elevation view thereof.

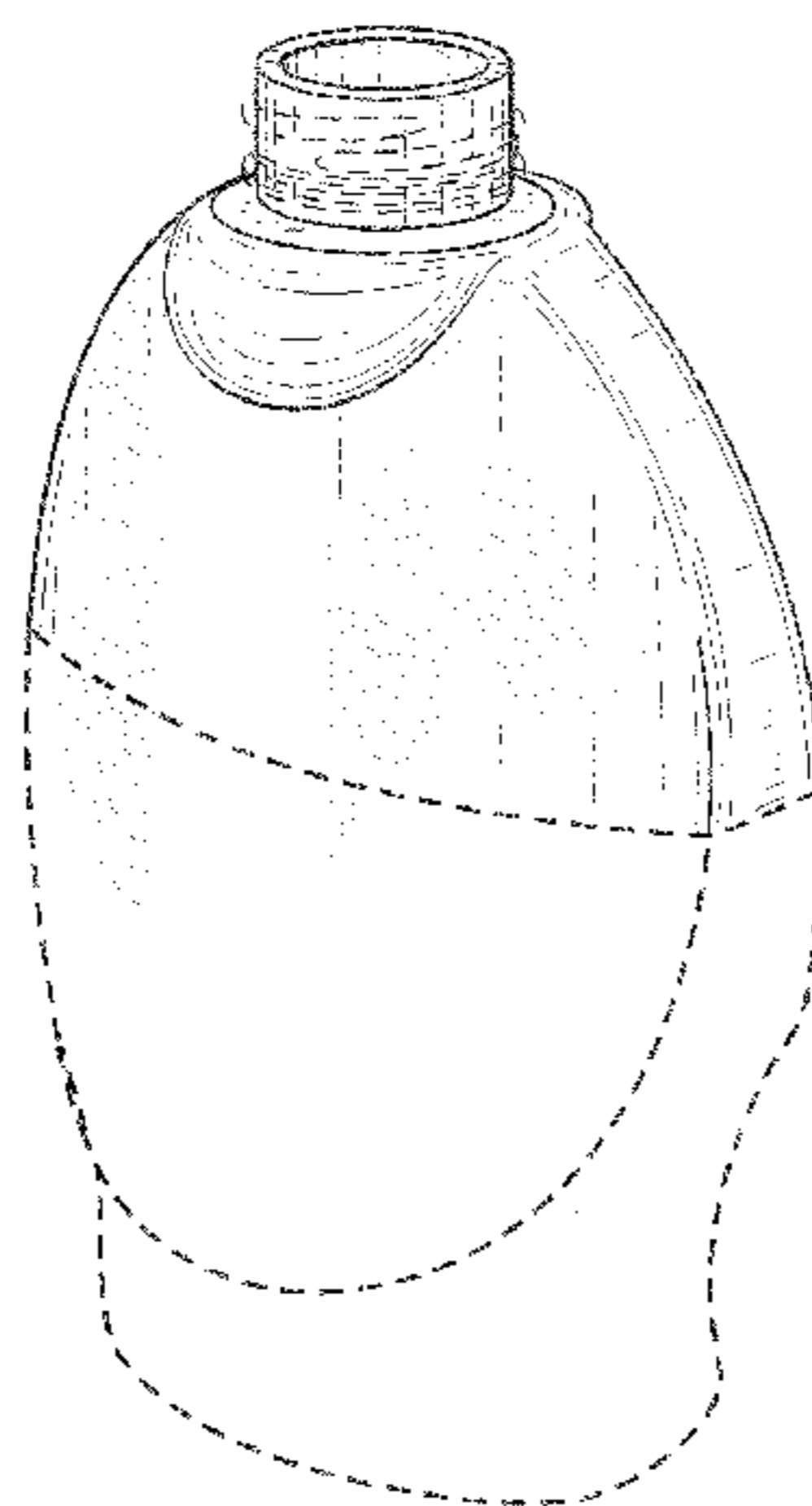
FIG. 5 is a right side elevation view thereof.

FIG. 6 is a top plan view thereof; and,

FIG. 7 is a bottom plan view thereof.

The broken line showing of the lower portion of the container and the bottom of the container is for illustrative purposes only and forms no part of the claimed design.

1 Claim, 6 Drawing Sheets



US D570,218 S

Page 2

U.S. PATENT DOCUMENTS						
				AU	96328	6/2006
				AU	96329	6/2006
D395,399 S	6/1998	Crawford		AU	99567	6/2006
D397,039 S *	8/1998	Dickson et al.	D9/544	AU	99958	6/2006
D398,532 S	9/1998	Crawford		AU	109887	6/2006
D406,066 S	2/1999	Crawford		AU	109888	6/2006
D413,807 S	9/1999	Mikla		AU	139144	6/2006
D414,103 S	9/1999	Crawford		AU	140220	6/2006
D414,117 S	9/1999	Mikla		AU	141555	6/2006
D416,805 S	11/1999	Mikla		AU	146733	6/2006
D421,215 S	2/2000	Crawford		AU	150634	6/2006
D423,368 S	4/2000	Crawford		AU	151792	6/2006
D433,623 S	11/2000	Crawford		AU	151837	6/2006
D433,637 S	11/2000	Hailey et al.		AU	151838	6/2006
D443,505 S *	6/2001	Finocchiaro et al.	D9/696	AU	151839	6/2006
D450,247 S	11/2001	Johnson et al.		AU	151840	6/2006
D451,008 S	11/2001	Crawford		AU	151841	6/2006
D480,008 S	9/2003	Maus		BR	MI 3600902	9/1977
D482,624 S	11/2003	Hadkte et al.		BR	MI 3600903	9/1977
D484,403 S	12/2003	Crawford		BR	MI 4901641	5/1990
D490,320 S	5/2004	Guislain		BR	DI 5800581-1	12/1998
D491,813 S	6/2004	Calello		BR	DI 5801379-2	6/2000
D496,283 S *	9/2004	Busa, Jr.	D9/542	BR	DI 6203612-2 F	3/2003
D513,189 S	12/2005	Busa, Jr. et al.		BR	DI 6304060-3 F	2/2004
D513,592 S *	1/2006	O'Day	D9/519	FR	374674-374677	10/1994
D514,948 S	2/2006	Busa, Jr. et al.		RU	49646	12/2001
D517,416 S	3/2006	Borgerson et al.		WO	DM/050324	3/2000
D553,994 S *	10/2007	Macak et al.	D9/546	WO	DM/063943	8/2003

FOREIGN PATENT DOCUMENTS

AU 96327 6/2006

* cited by examiner

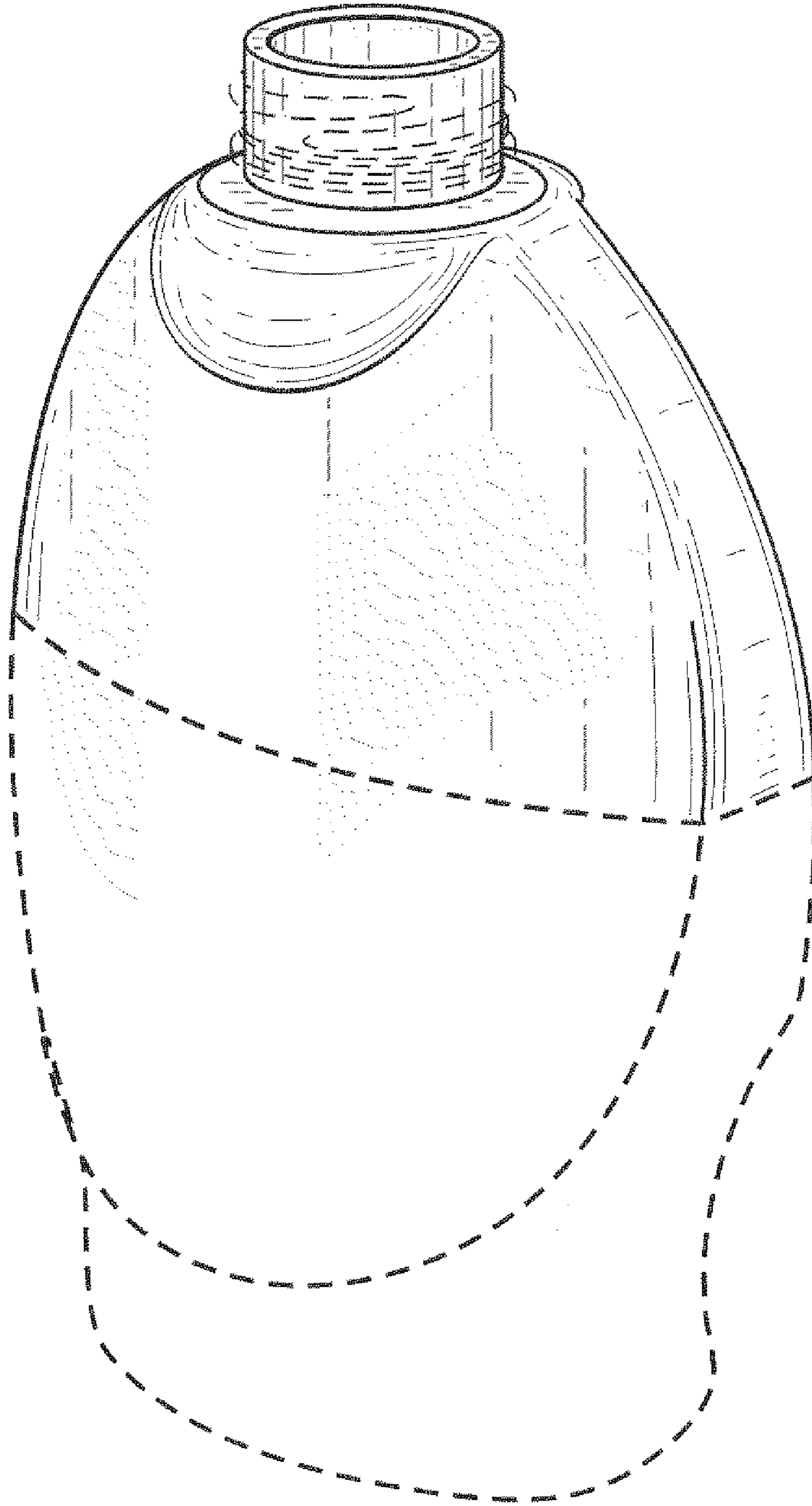


FIG. 1

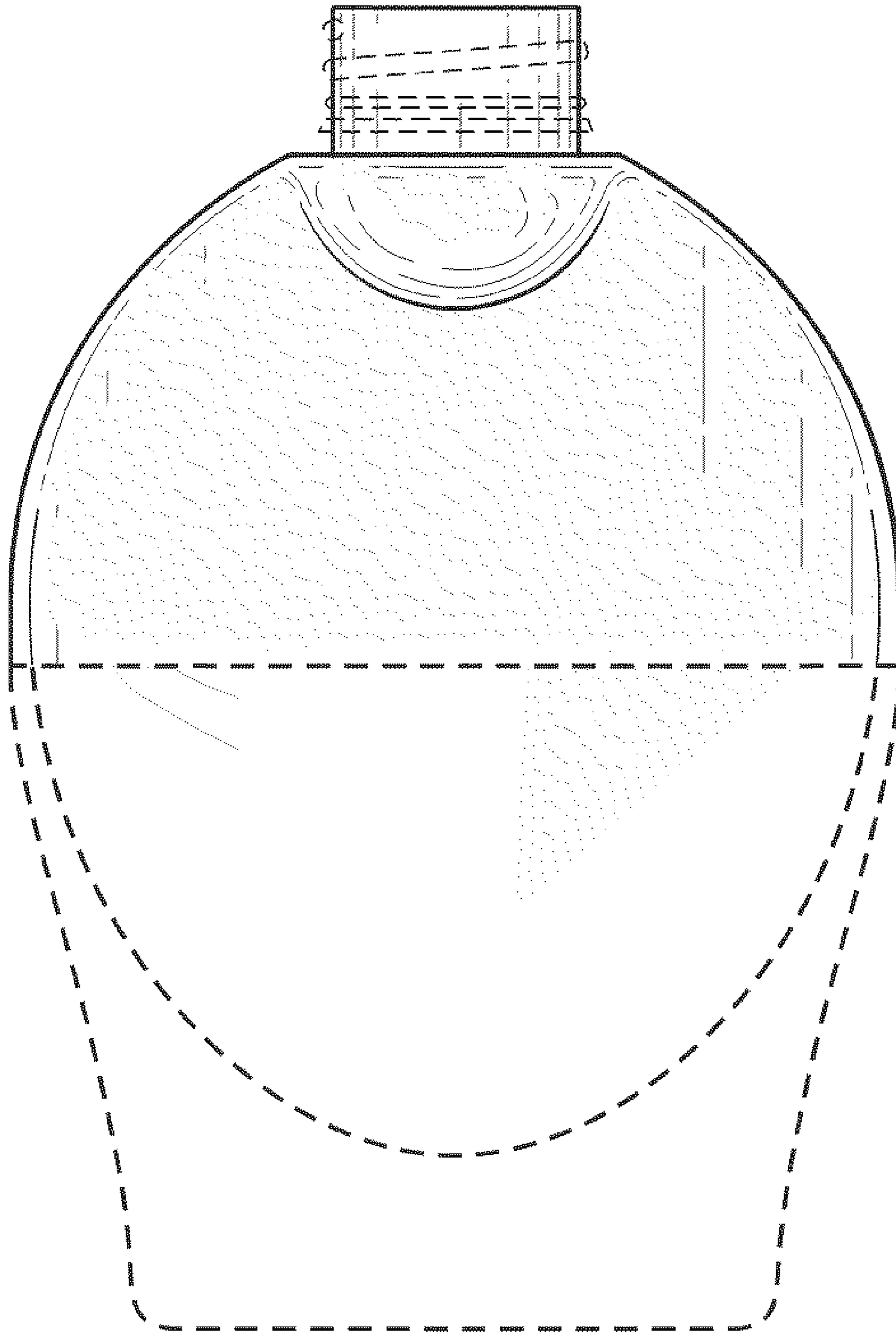


FIG. 2

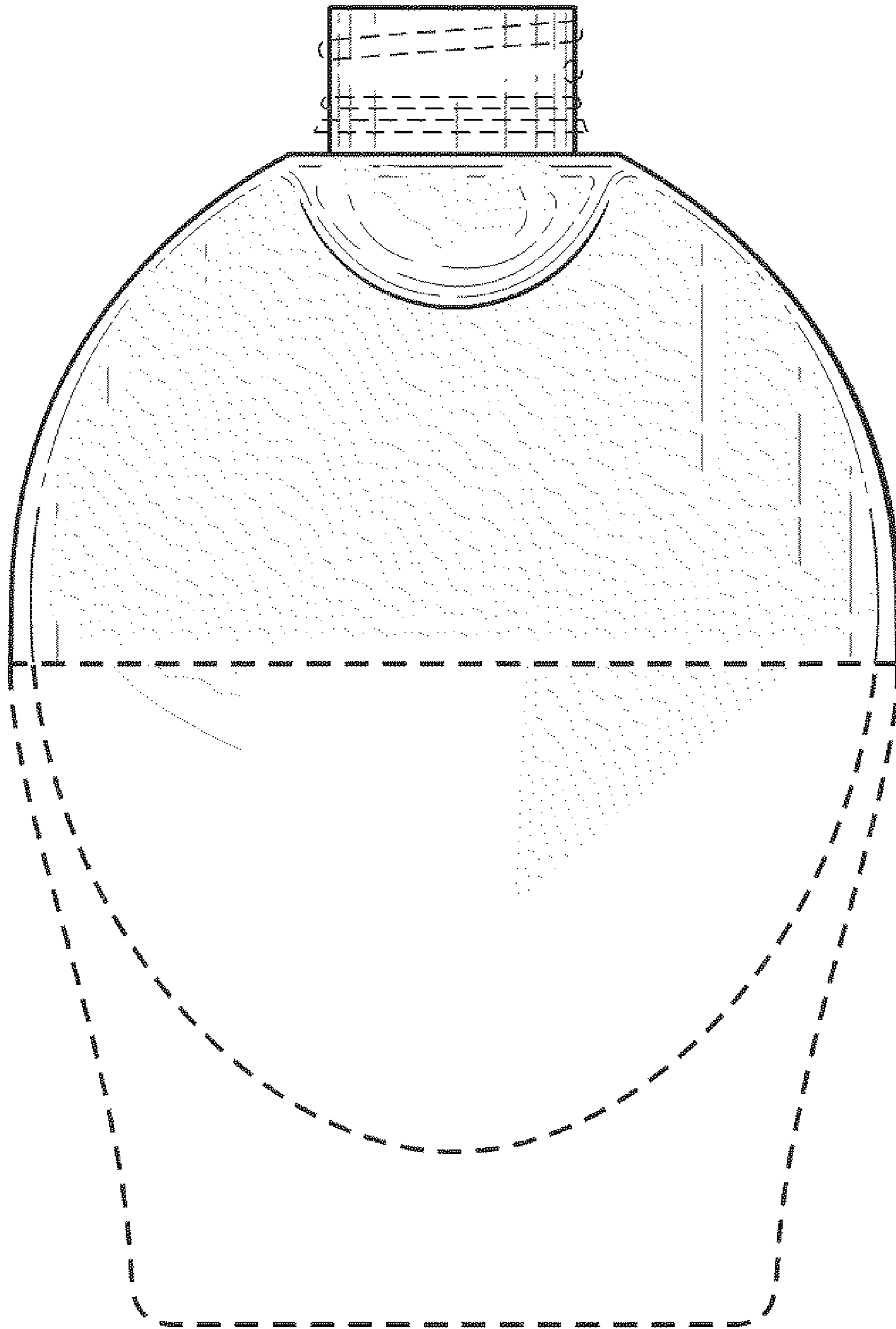


FIG. 3

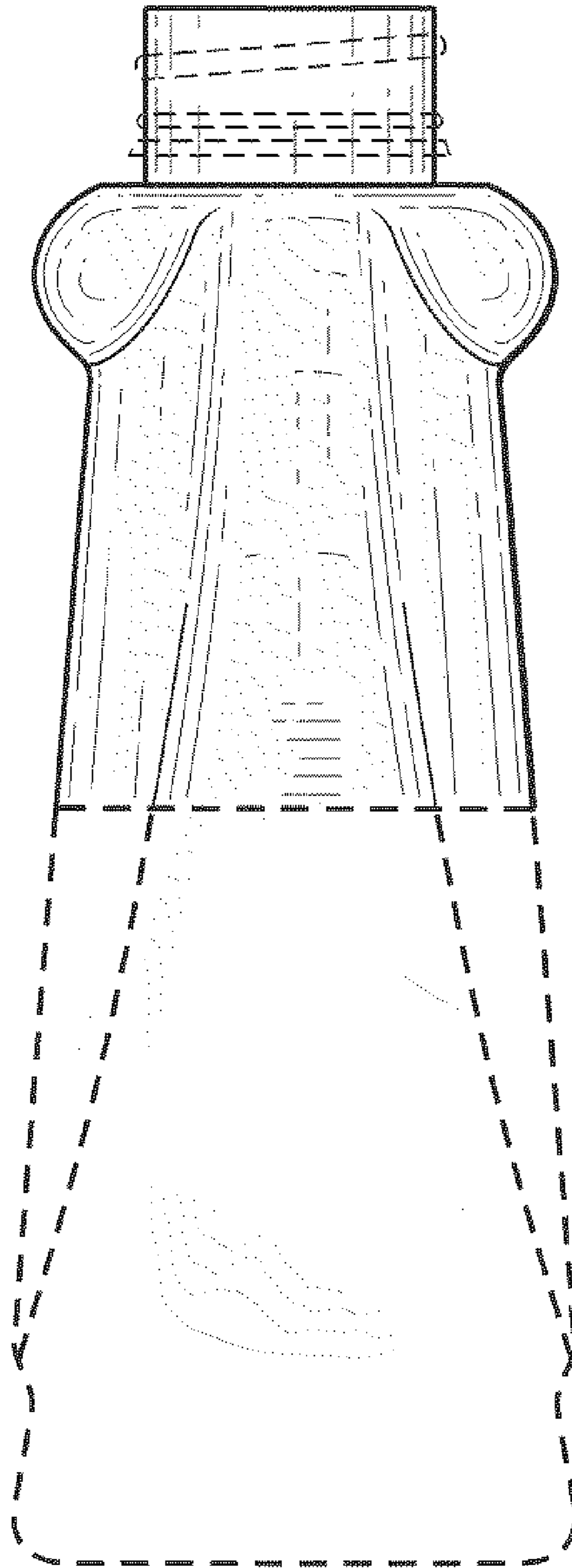


FIG. 4

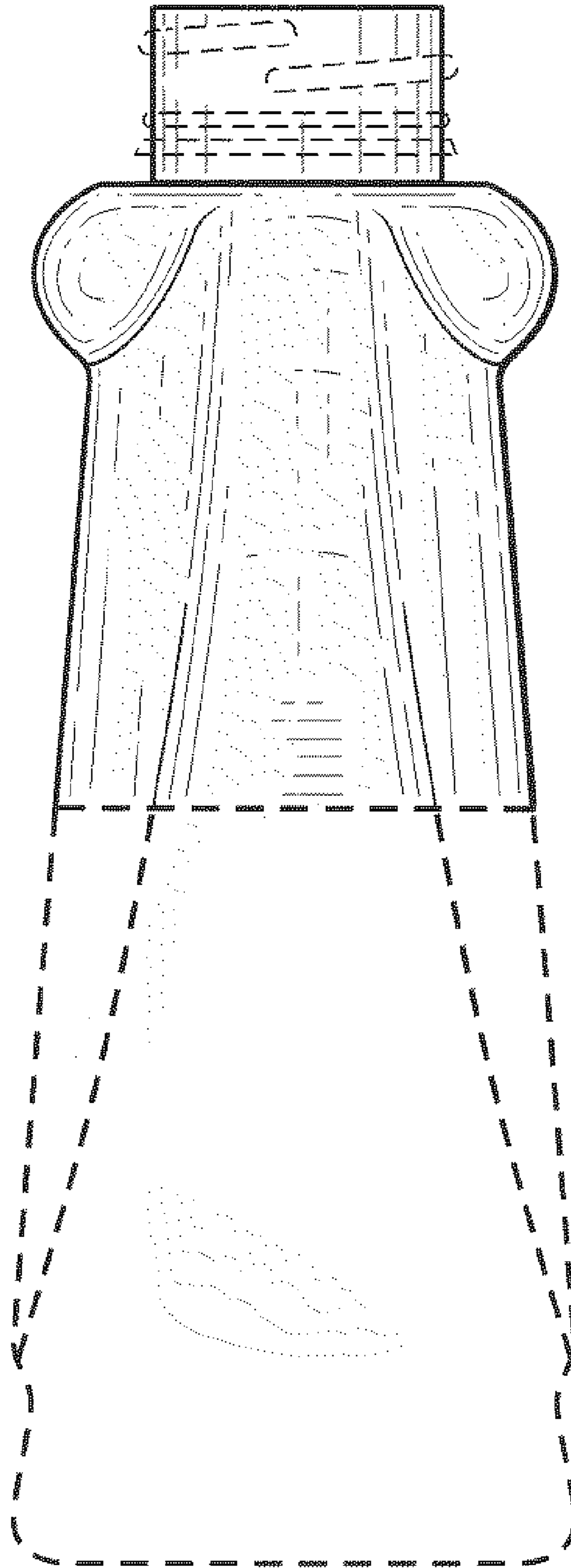


FIG. 5

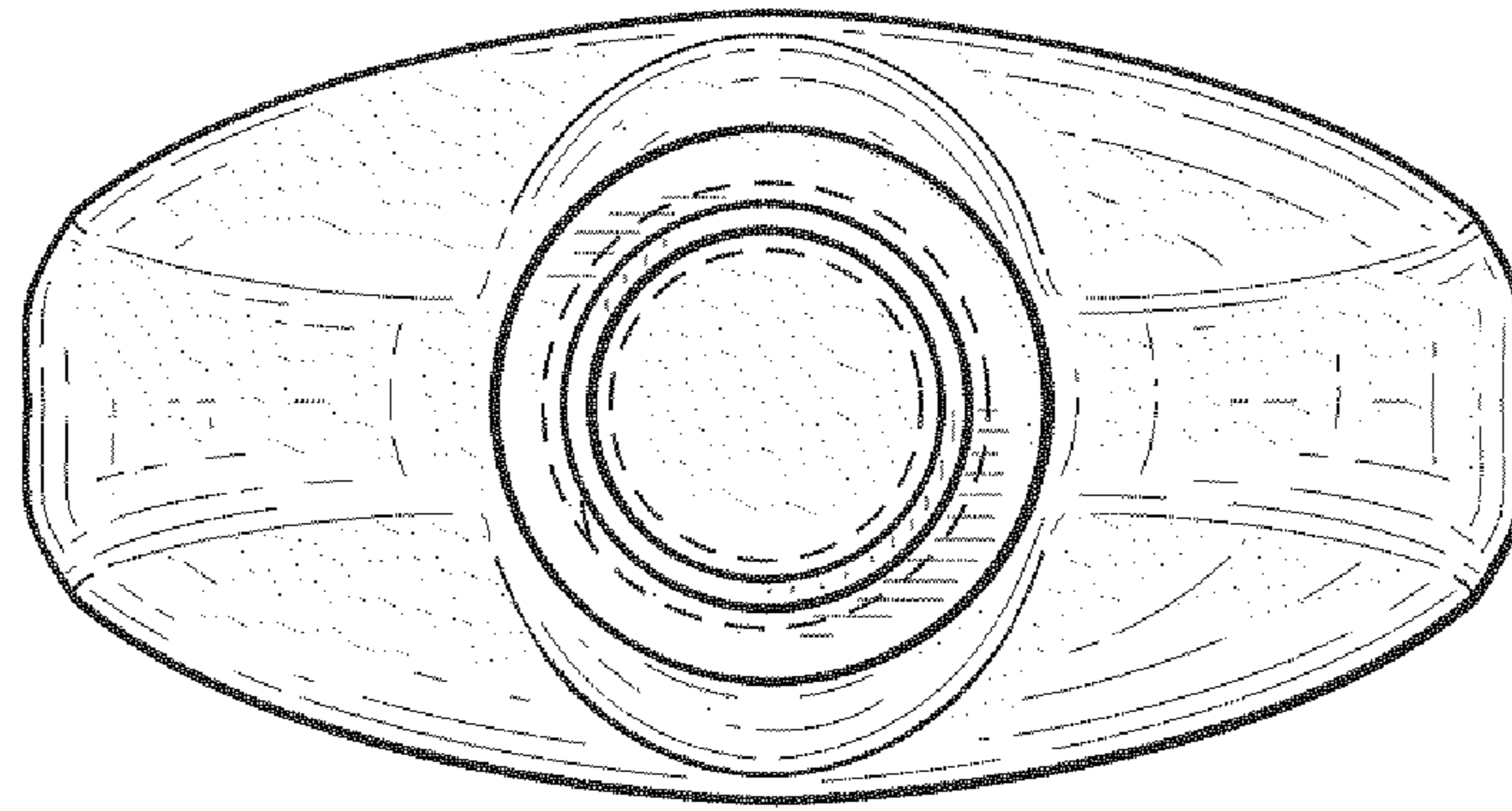


FIG. 6

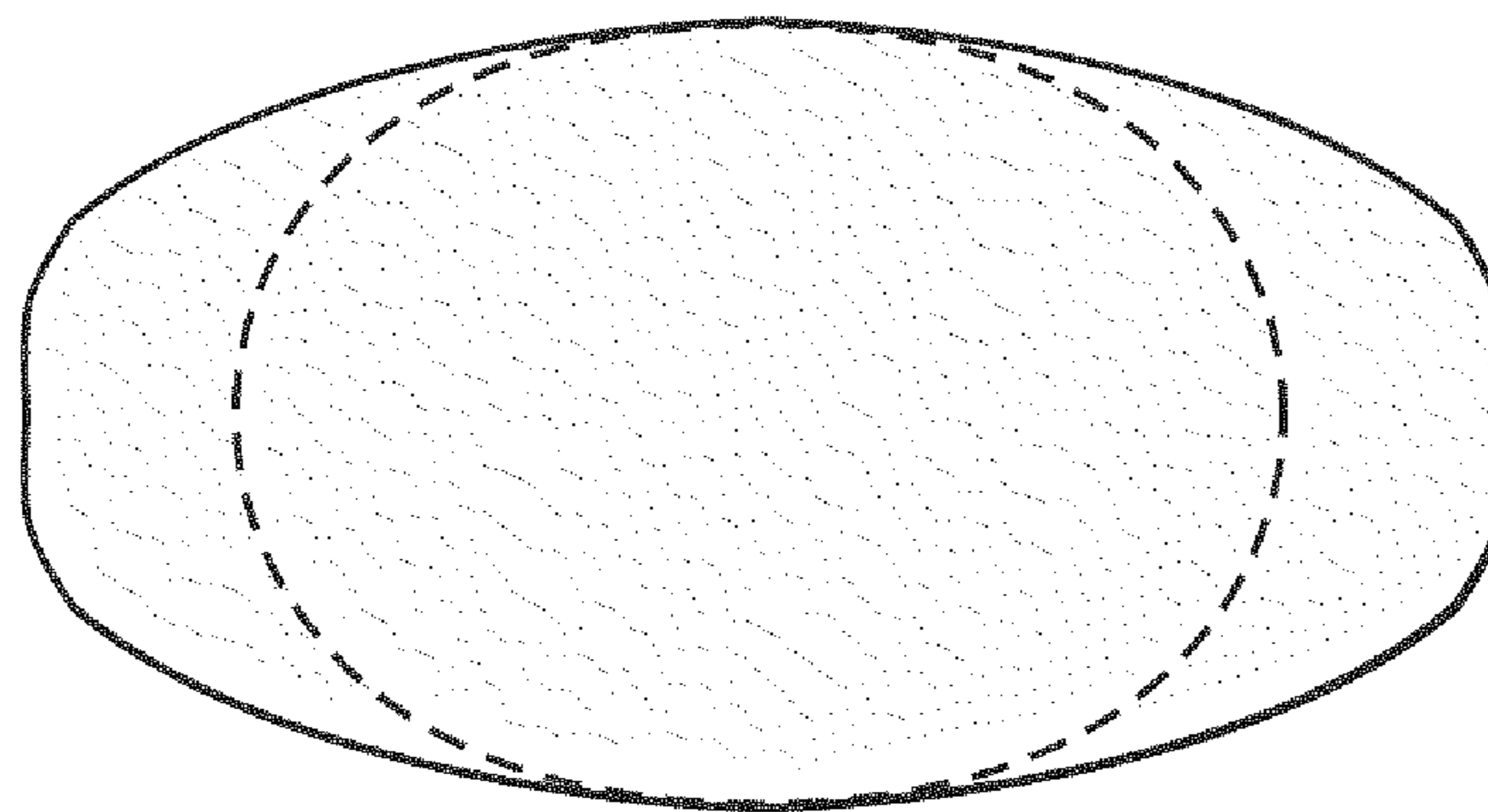


FIG. 7