



US00D570217S

(12) **United States Design Patent**
Meillerais

(10) **Patent No.:** **US D570,217 S**

(45) **Date of Patent:** **** Jun. 3, 2008**

(54) **BOTTLE**

(75) Inventor: **Sylvain Meillerais**, Le Havre (FR)

(73) Assignee: **Sidel Participations**, Octeville sur Mer (FR)

(**) Term: **14 Years**

(21) Appl. No.: **29/270,661**

(22) Filed: **Dec. 29, 2006**

(30) **Foreign Application Priority Data**

Jul. 4, 2006 (EM) 000554860

(51) **LOC (8) Cl.** **09-01**

(52) **U.S. Cl.** **D9/502; D9/520**

(58) **Field of Classification Search** D9/424,
D9/428, 446-447, 449, 454, 500, 502-505,
D9/516, 549, 550, 557-558, 682, 686, 688-691,
D9/694, 905; D7/598; 215/379-384; 220/660,
220/662, 669-673, 675

See application file for complete search history.

(56) **References Cited**

U.S. PATENT DOCUMENTS

D217,847 S * 6/1970 Jenkins et al. D9/500
D226,370 S * 2/1973 Cromb D9/500
D228,625 S * 10/1973 Pearce D9/500
D231,084 S * 4/1974 Motach D9/503
D236,433 S * 8/1975 Strand D9/500

D241,011 S * 8/1976 Pettengill D9/500
D256,992 S * 9/1980 Kretz D9/558
D258,198 S * 2/1981 Segal D9/502
D282,629 S * 2/1986 Stafford D9/500
5,971,184 A * 10/1999 Krishnakumar et al. 215/384
6,036,037 A * 3/2000 Scheffer et al. 215/381
D495,608 S * 9/2004 Klemm et al. D9/552
D546,686 S * 7/2007 Warner D9/502

* cited by examiner

Primary Examiner—Ian Simmons

Assistant Examiner—Dana L Sipos

(74) *Attorney, Agent, or Firm*—Marshall, Gerstein & Borun LLP

(57) **CLAIM**

The ornamental design for a bottle, as shown.

DESCRIPTION

FIG. 1 is a top, front, perspective view of a bottle showing my new design;

FIG. 2 is a bottom, front, perspective view thereof;

FIG. 3 is a rear elevation view thereof;

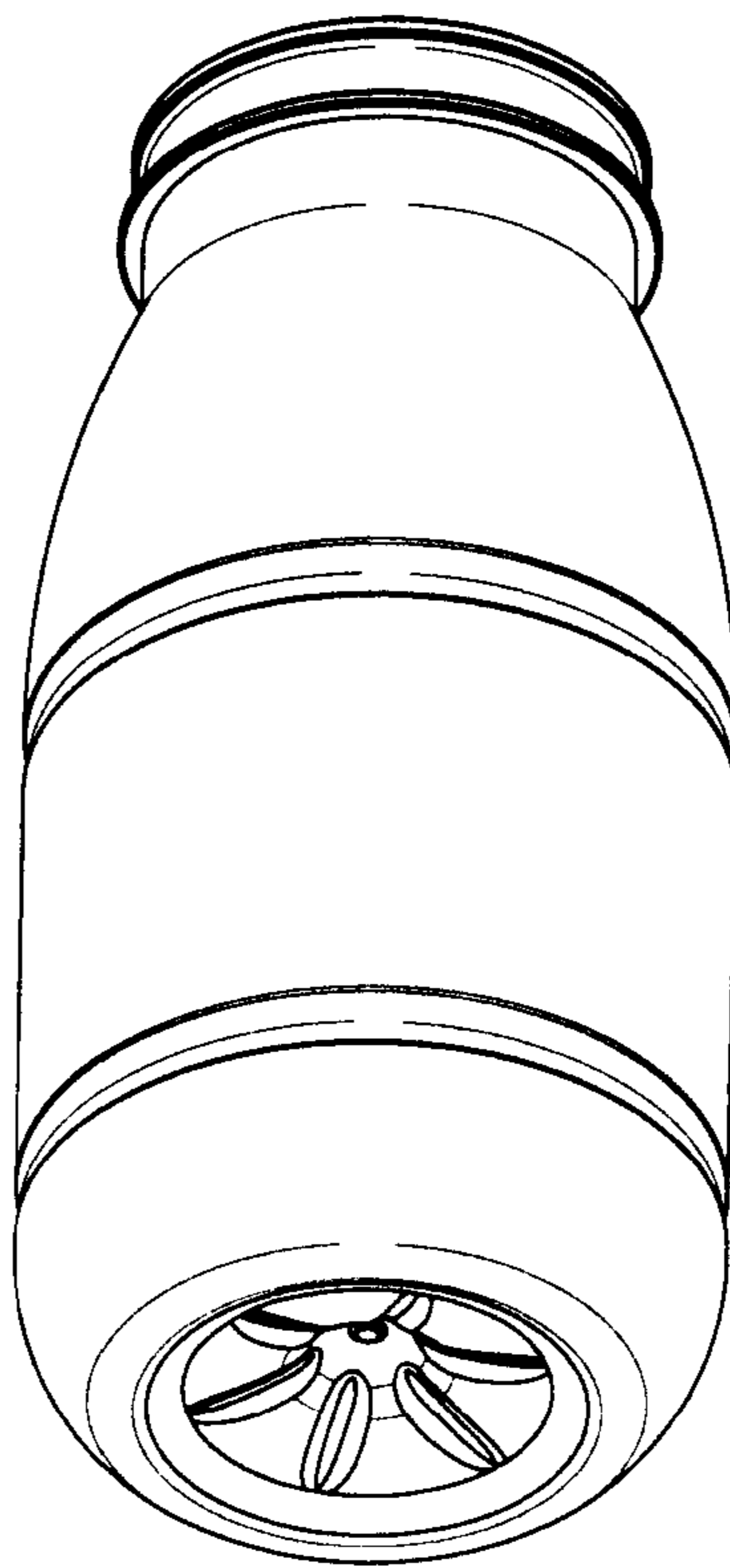
FIG. 4 is a side elevation view thereof;

FIG. 5 is the opposing side elevation view thereof;

FIG. 6 is a top plan view thereof; and,

FIG. 7 is a bottom plan view thereof.

1 Claim, 2 Drawing Sheets



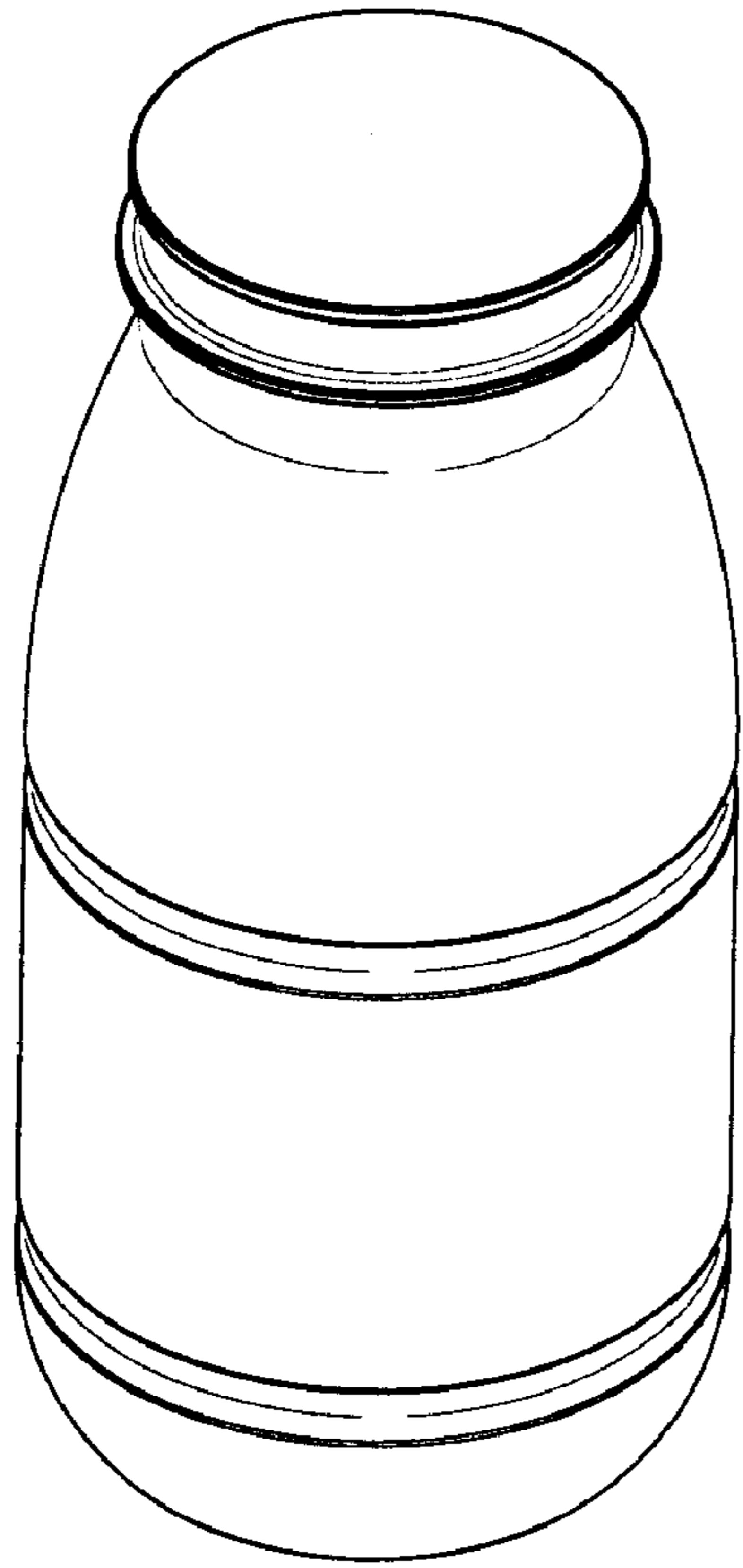


FIG. 1

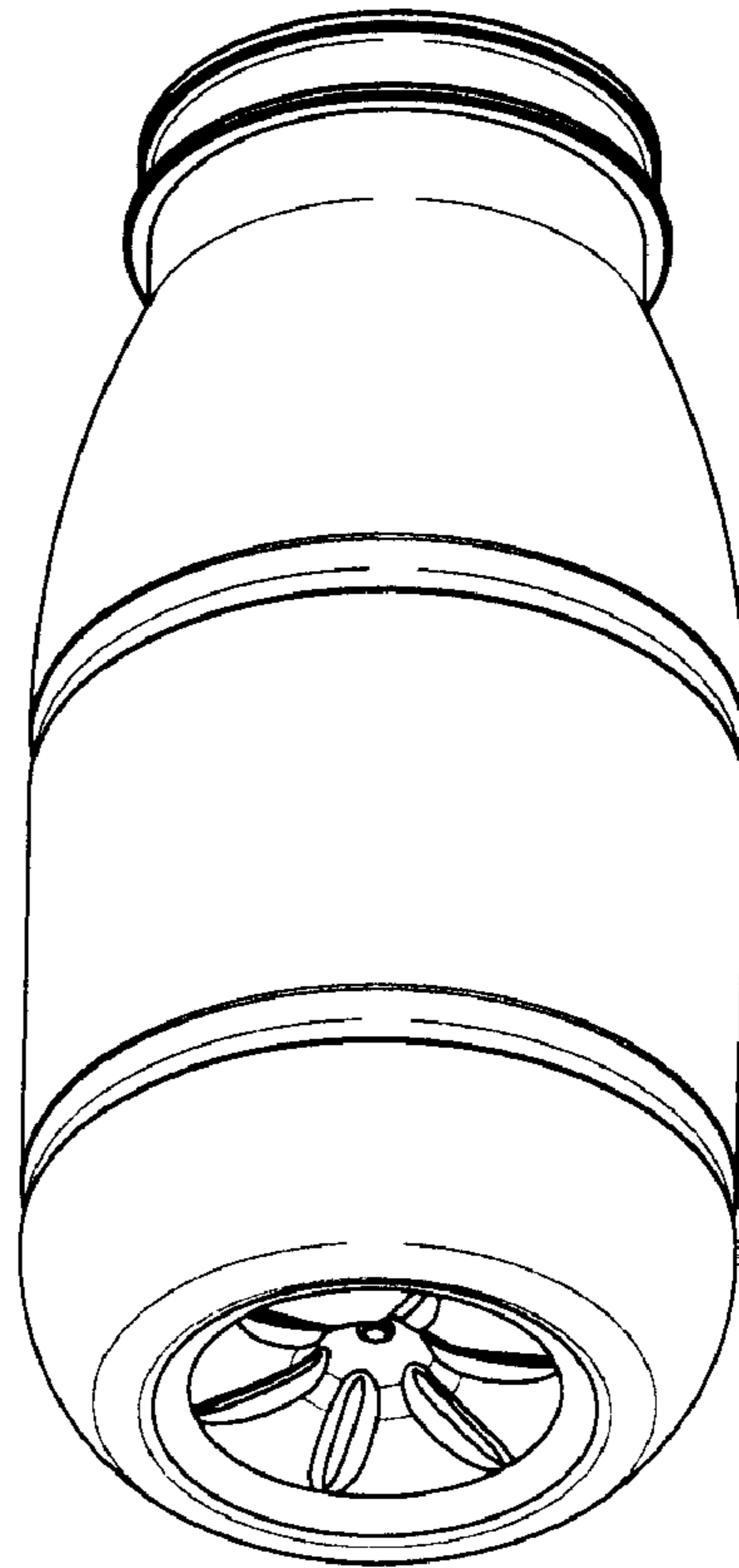


FIG. 2

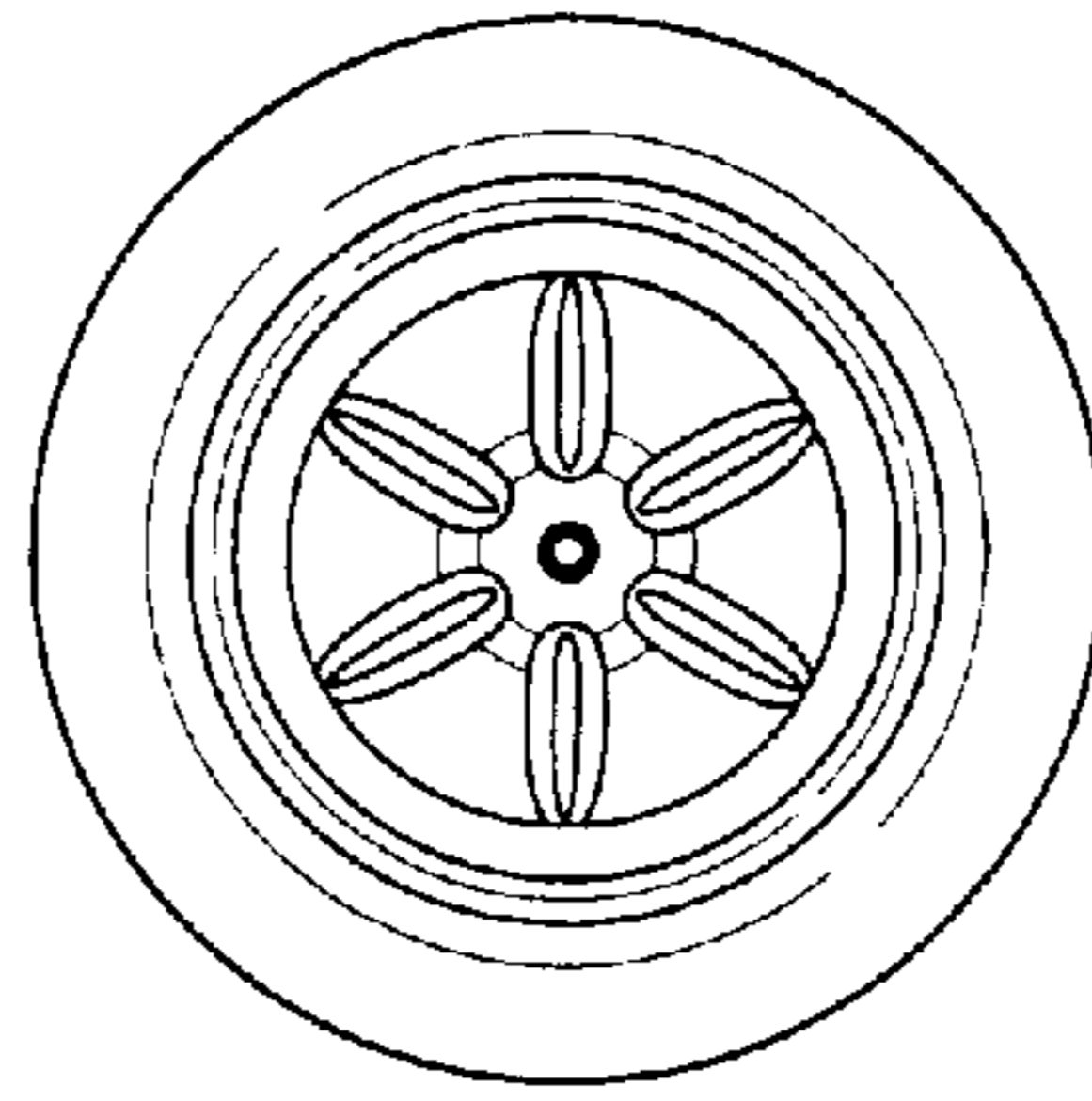


FIG. 7

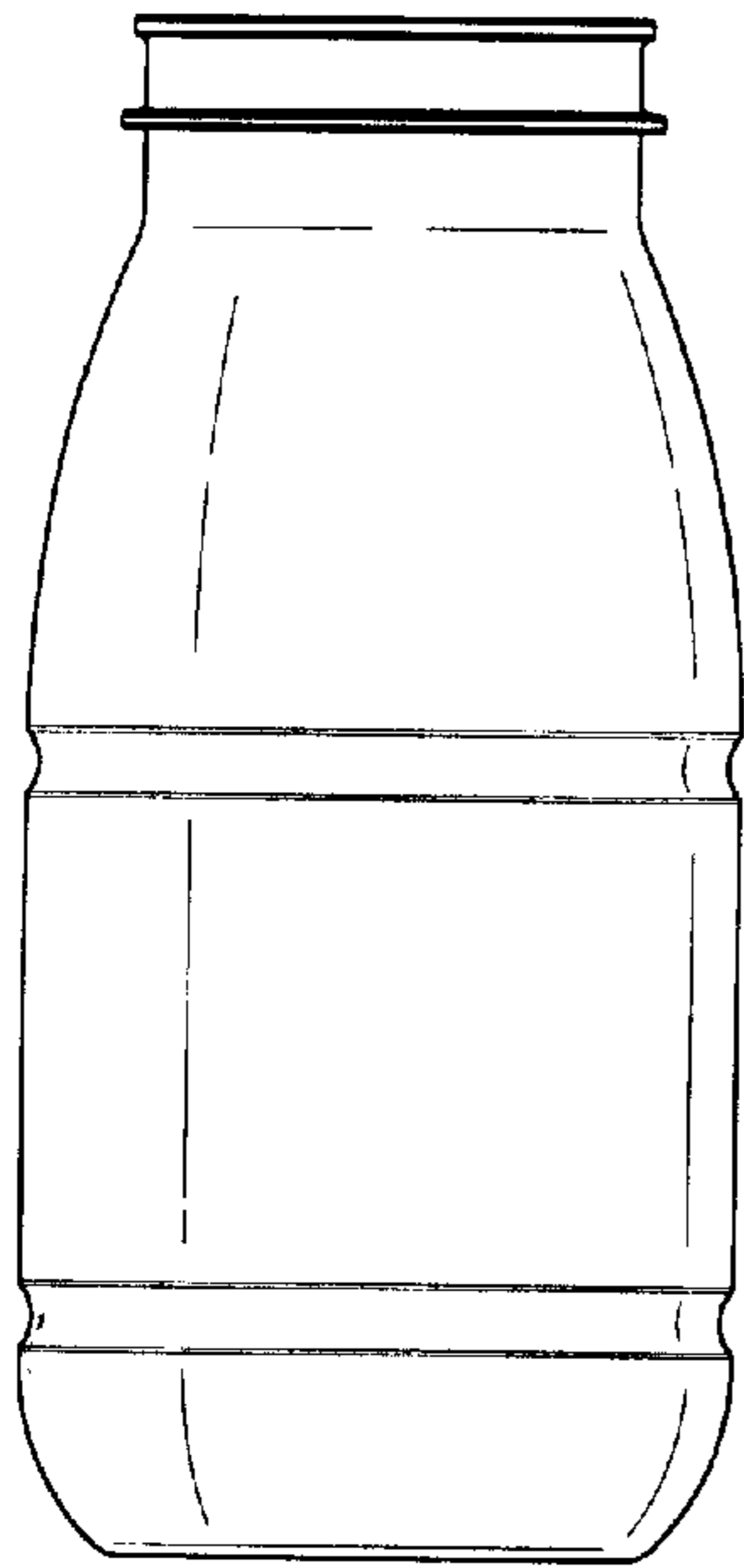


FIG. 3

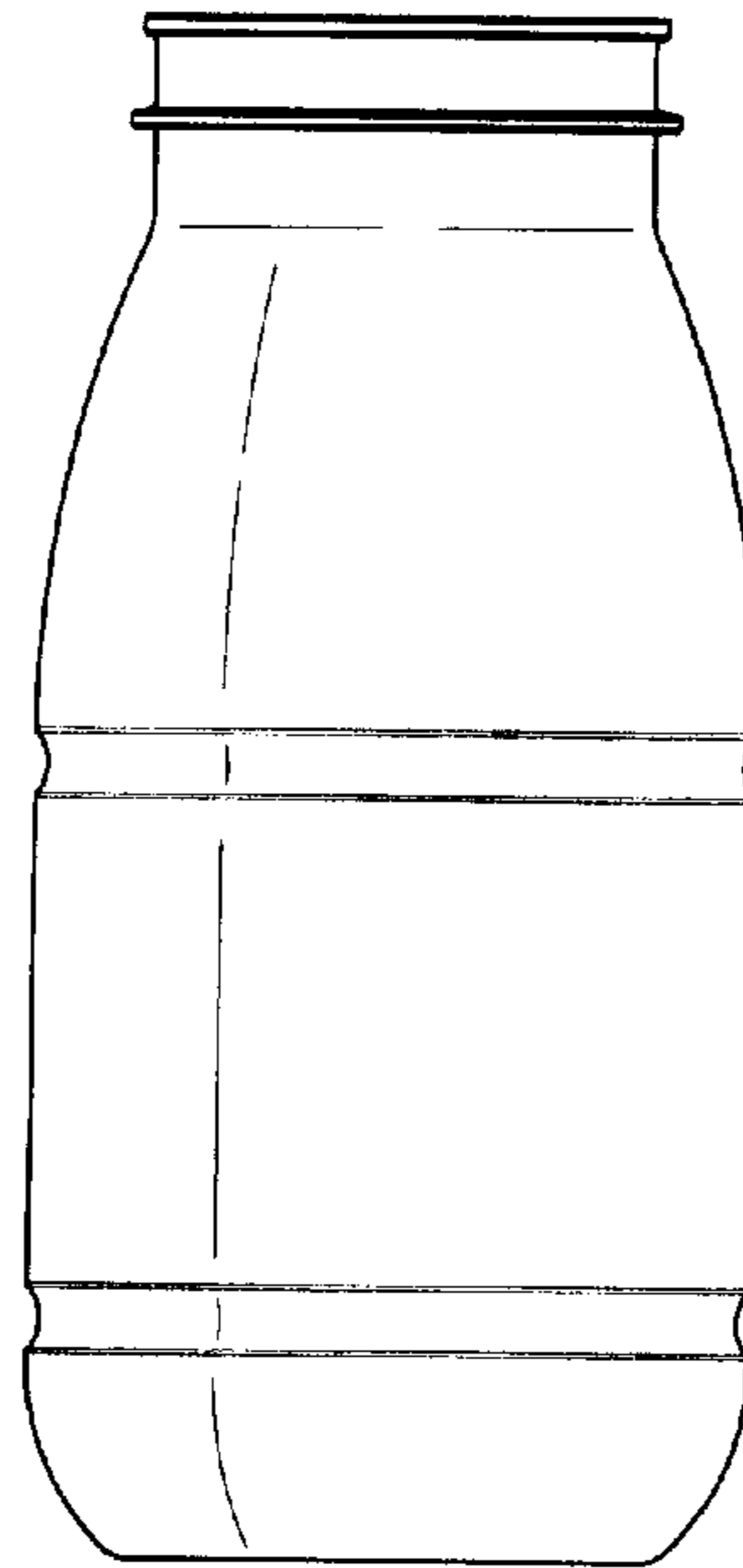


FIG. 4

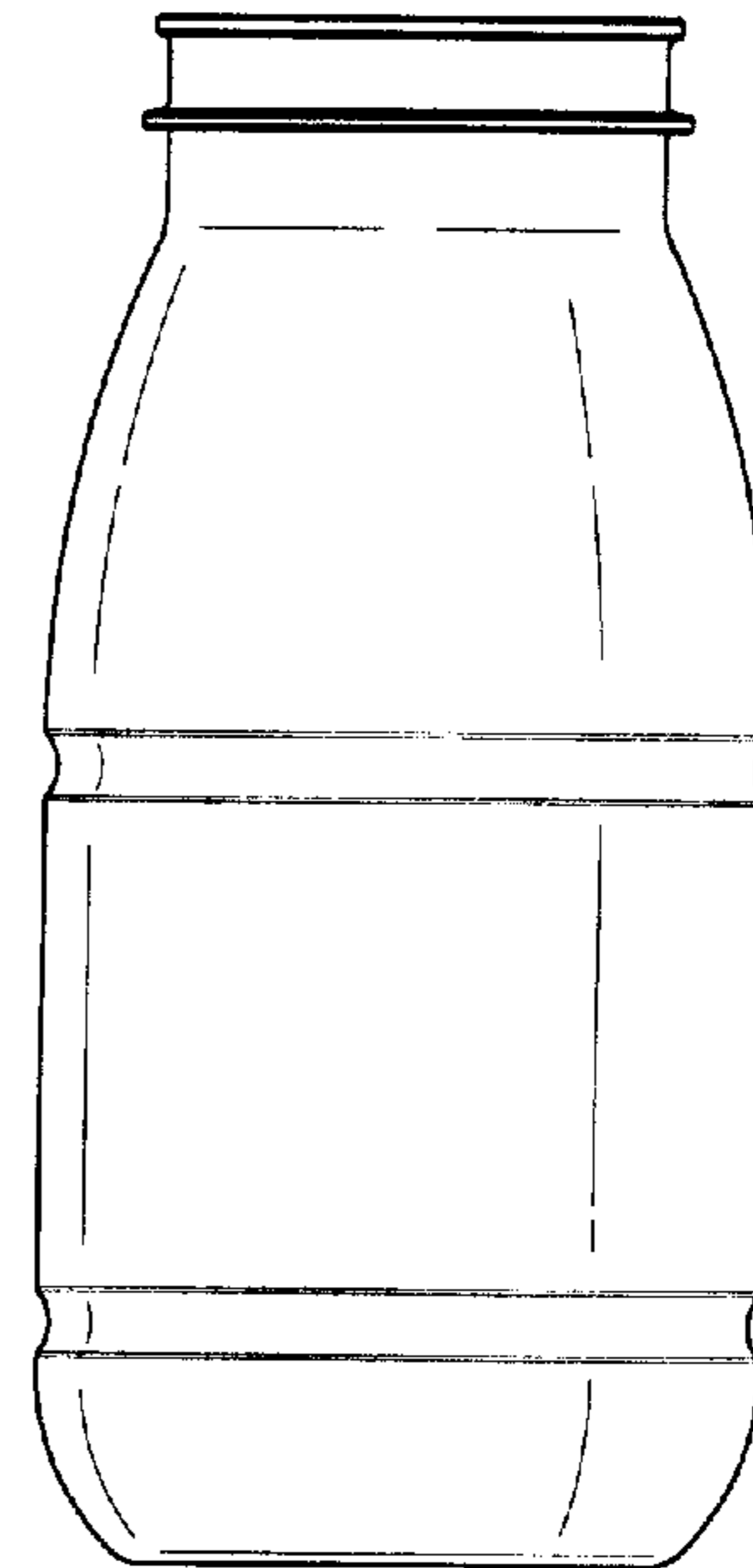


FIG. 5

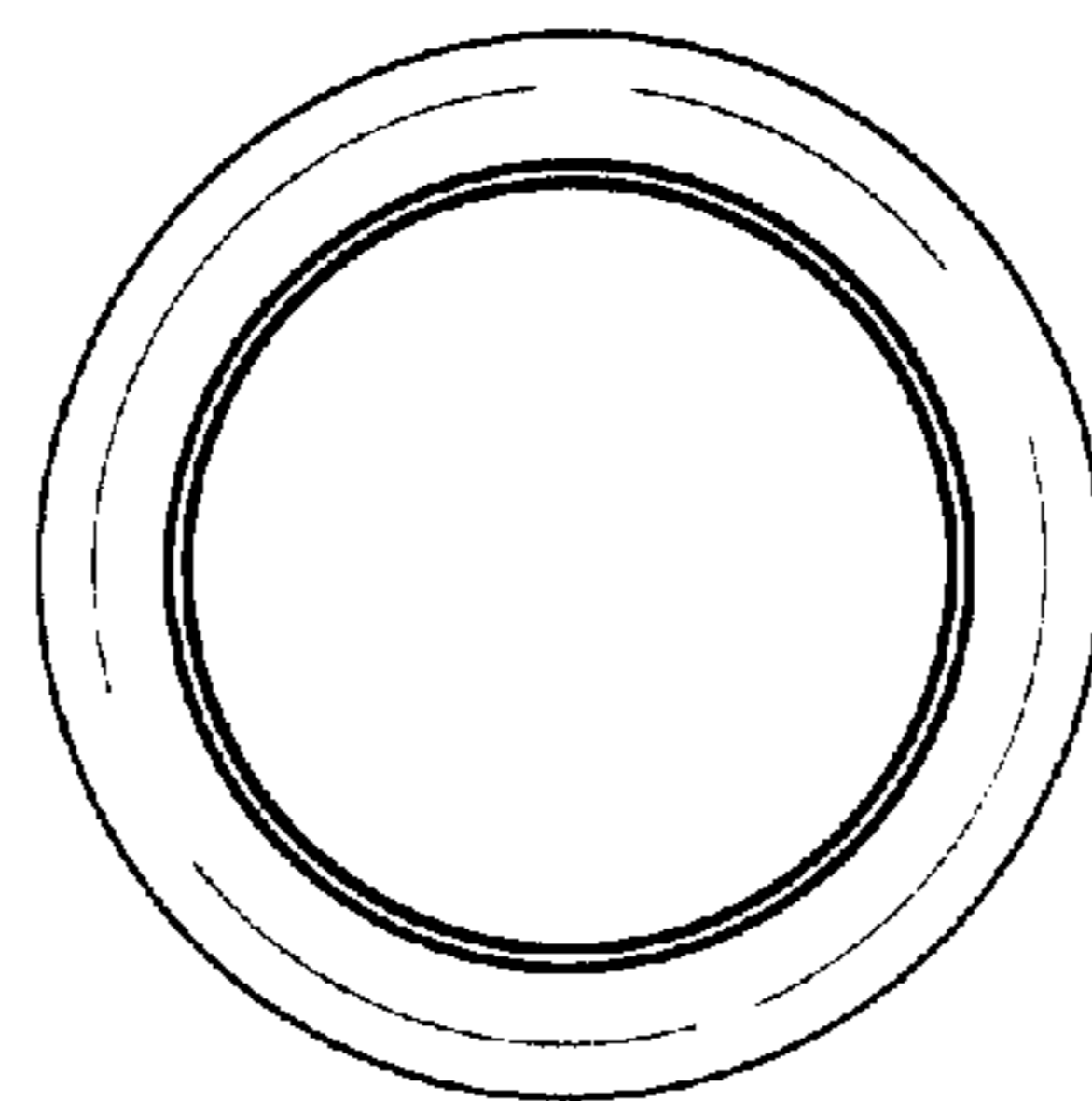


FIG. 6