

US00D570216S

(12) **United States Design Patent**  
**Arminak**

(10) **Patent No.:** **US D570,216 S**  
(45) **Date of Patent:** **\*\* Jun. 3, 2008**

(54) **TRIGGER SPRAYER**

(75) Inventor: **Armin Arminak**, Azusa, CA (US)

(73) Assignee: **Arminak & Associates, Inc.**, Azusa, CA (US)

(\*\*) Term: **14 Years**

(21) Appl. No.: **29/288,966**

(22) Filed: **Jun. 27, 2007**

(51) **LOC (8) Cl.** ..... **09-07**

(52) **U.S. Cl.** ..... **D9/448**

(58) **Field of Classification Search** ..... D9/686,  
D9/685, 682, 448; 239/333; 222/383.2,  
222/383.1, 340

See application file for complete search history.

(56) **References Cited**

**U.S. PATENT DOCUMENTS**

D352,546 S *	11/1994	Silvenis et al.	.....	D23/226
5,366,121 A *	11/1994	Foster et al.	.....	222/383.1
D354,226 S *	1/1995	Foster et al.	.....	D9/448
D377,602 S *	1/1997	Wadsworth	.....	D9/448
D381,581 S *	7/1997	Wadsworth	.....	D9/448
5,706,984 A *	1/1998	Tada et al.	.....	222/383.1
D409,487 S	5/1999	Wadsworth et al.		
D409,915 S *	5/1999	Durliat et al.	.....	D9/448
D409,918 S	5/1999	Wadsworth et al.		
D424,939 S *	5/2000	Fan et al.	.....	D9/448
D435,448 S *	12/2000	Trepina et al.	.....	D9/448

D508,852 S *	8/2005	Arminak	.....	D9/448
D520,872 S *	5/2006	Paas et al.	.....	D9/448
D541,652 S *	5/2007	Arminak	.....	D9/448
2003/0098368 A1 *	5/2003	Foster et al.	.....	239/320

\* cited by examiner

*Primary Examiner*—Gary D. Watson

*Assistant Examiner*—Susan B Hattan

(74) *Attorney, Agent, or Firm*—Cislo & Thomas, LLP

(57) **CLAIM**

The ornamental design for a trigger sprayer, as shown and described.

**DESCRIPTION**

FIG. 1 is a perspective view of the trigger sprayer.

FIG. 2 is a second perspective view of the trigger sprayer.

FIG. 3 is a front view of the trigger sprayer.

FIG. 4 is a right side elevational view of the trigger sprayer.

FIG. 5 is a rear view of the trigger sprayer.

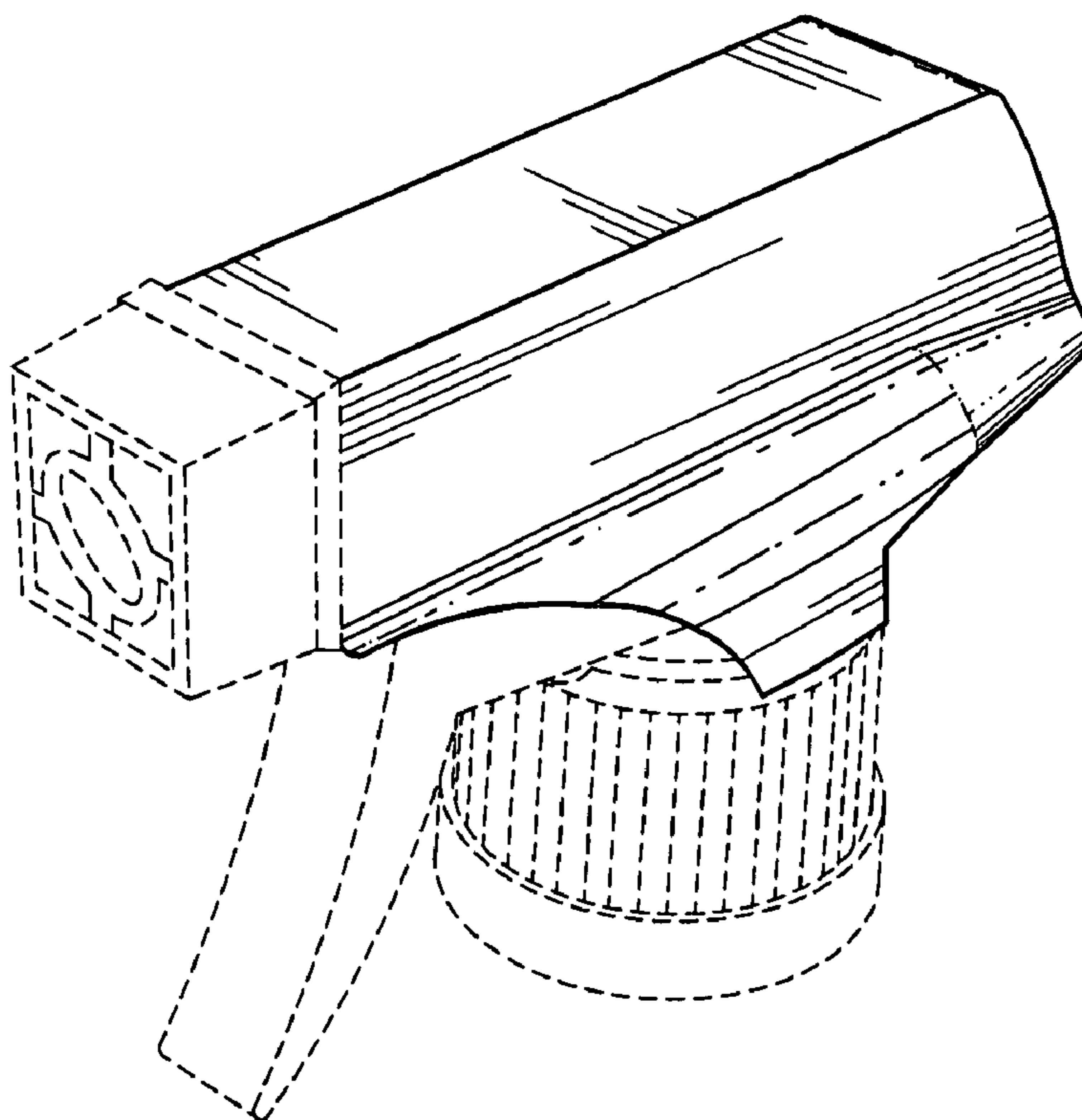
FIG. 6 is a left side elevational view of the trigger sprayer.

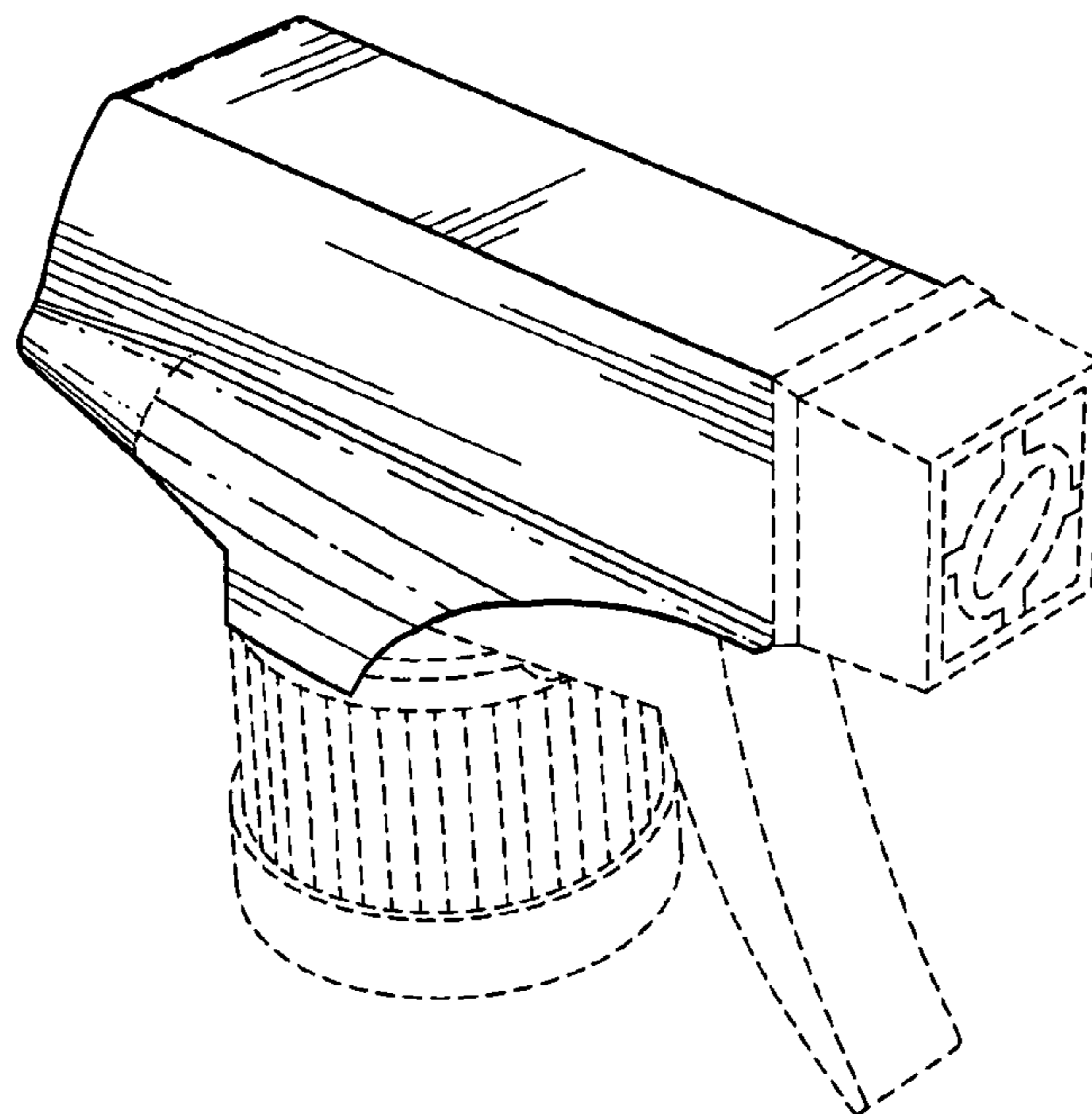
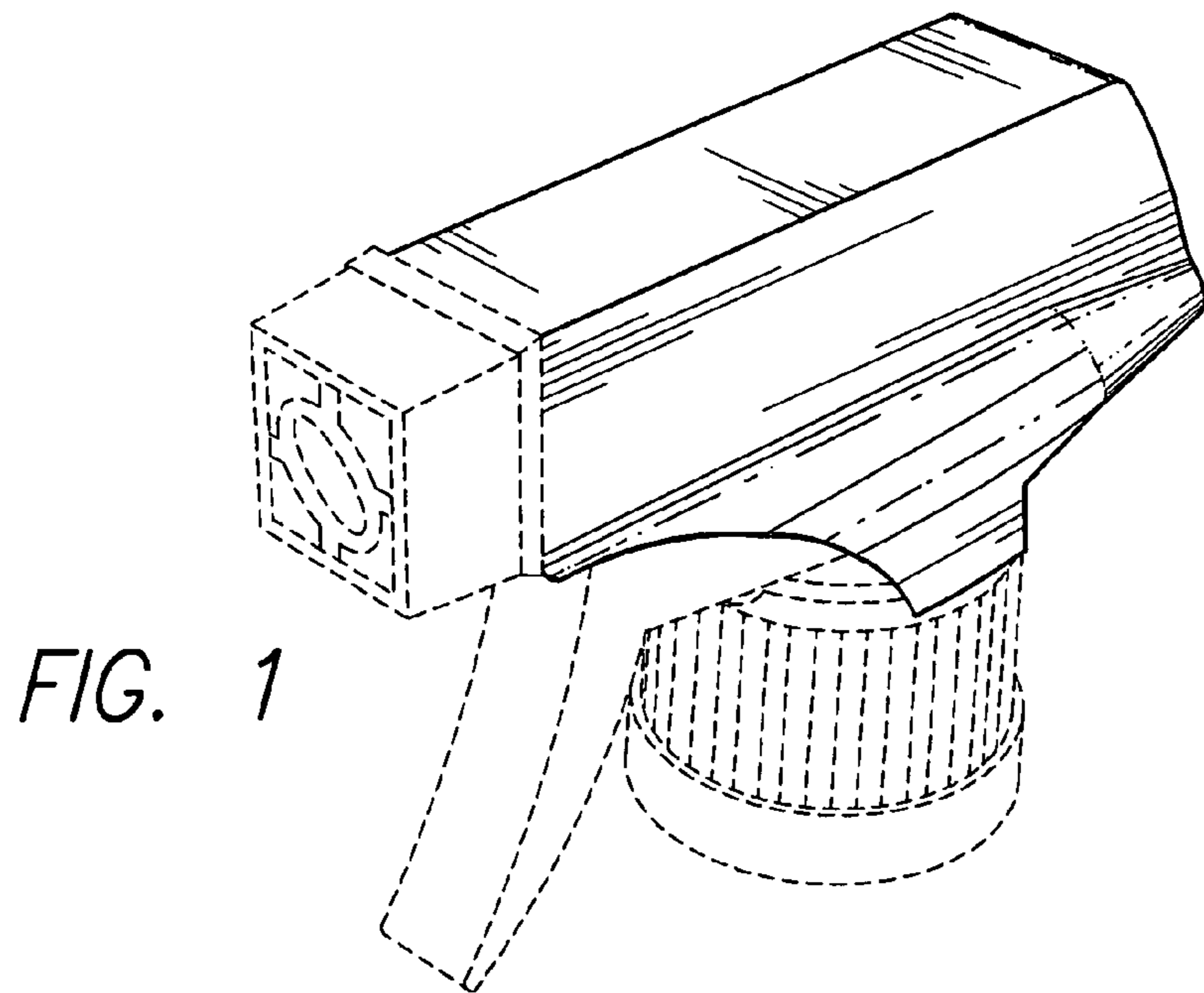
FIG. 7 is a top view of the trigger sprayer; and,

FIG. 8 is a bottom view of the trigger sprayer.

The uniformly dashed broken line portions of the disclosure are for illustrative purposes only and form no part of the claimed design.

**1 Claim, 4 Drawing Sheets**





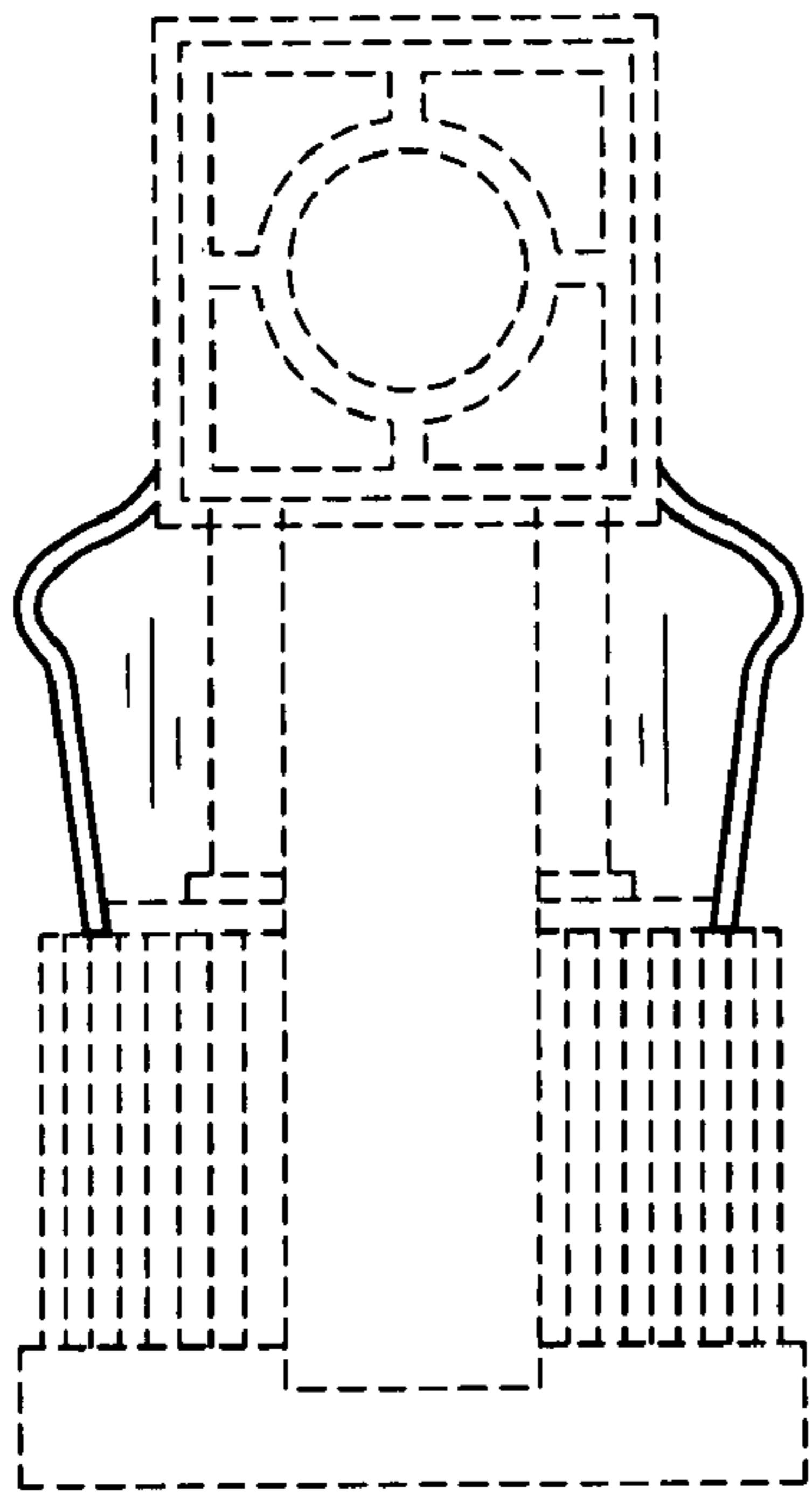


FIG. 3

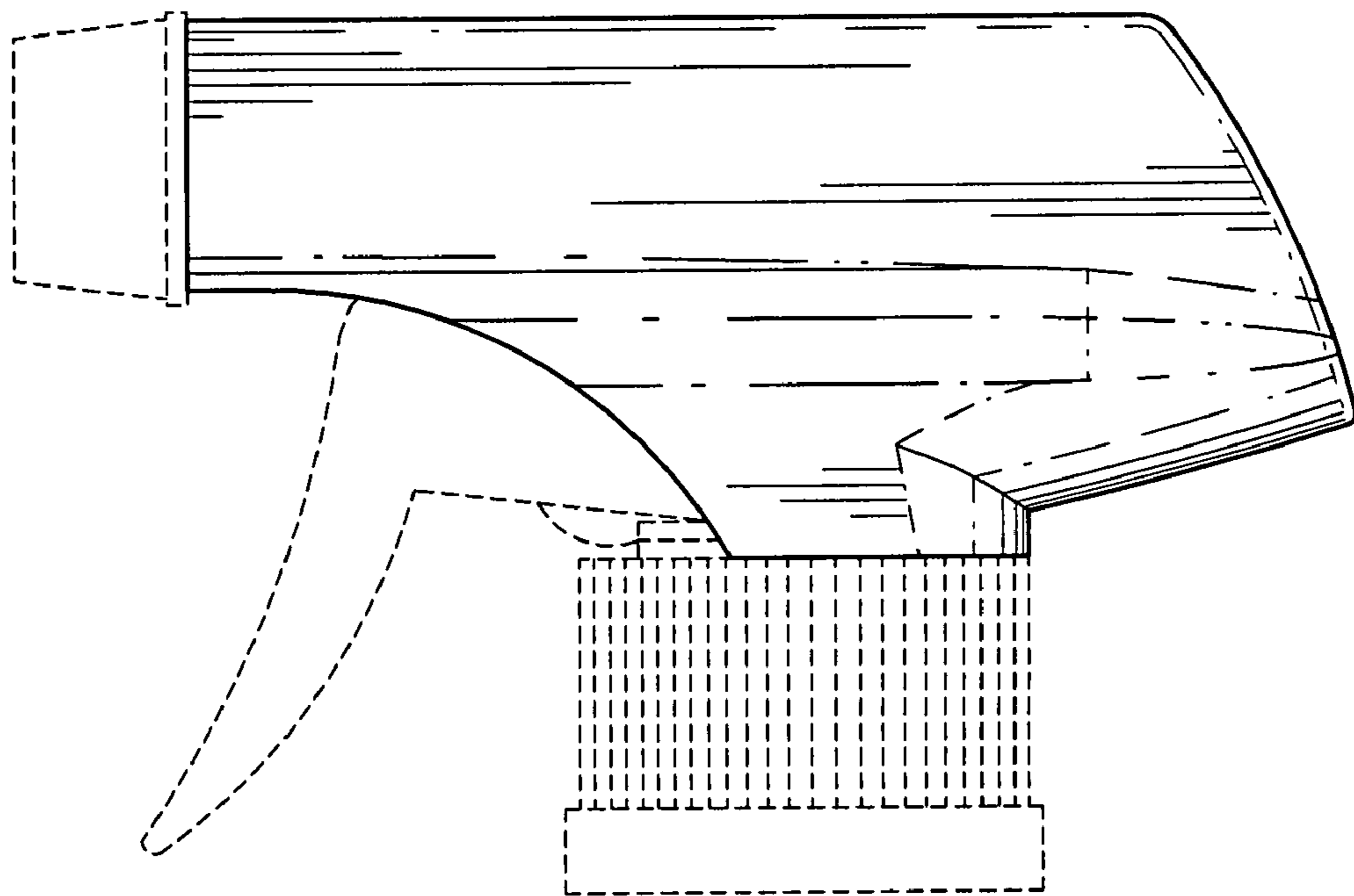


FIG. 4

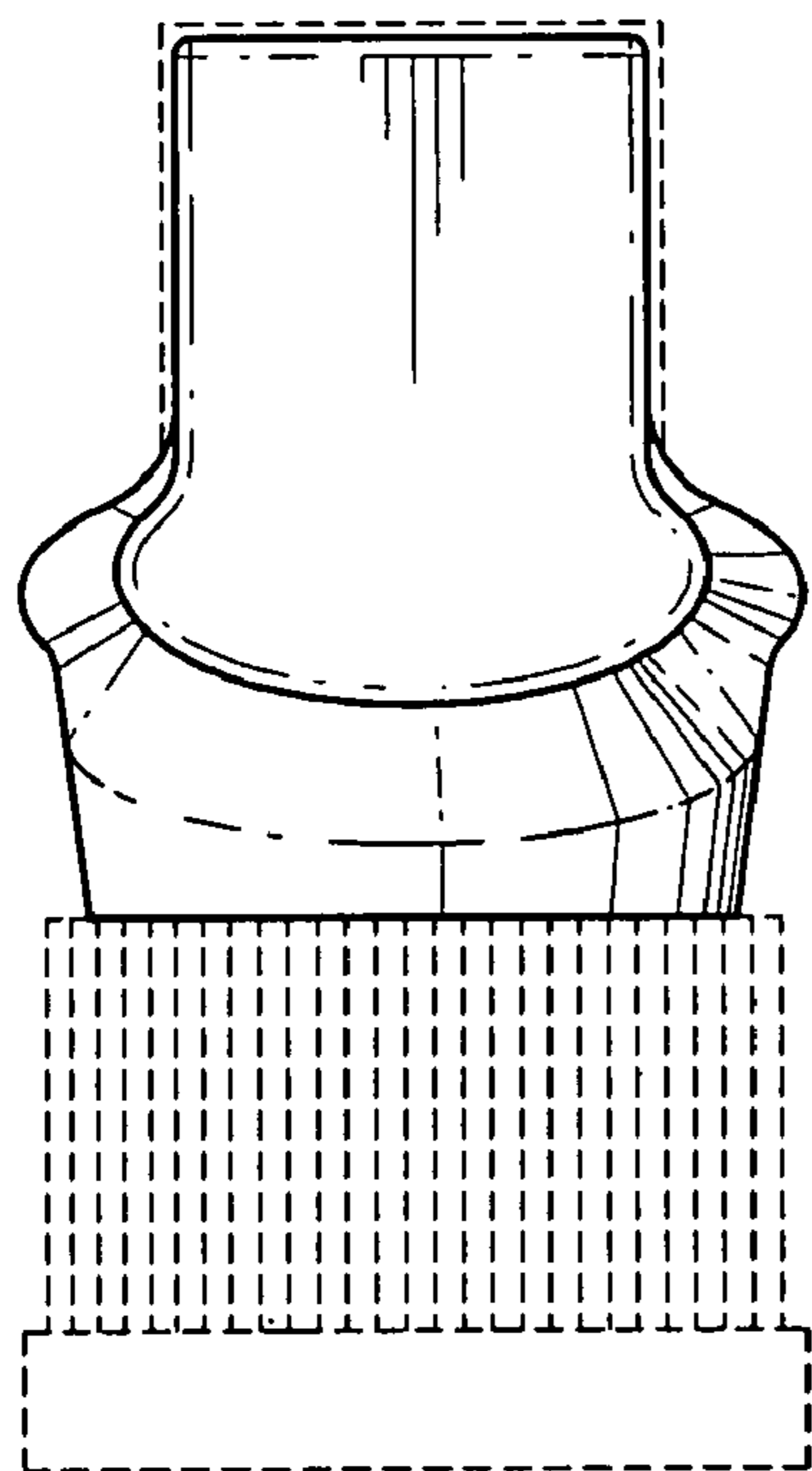


FIG. 5

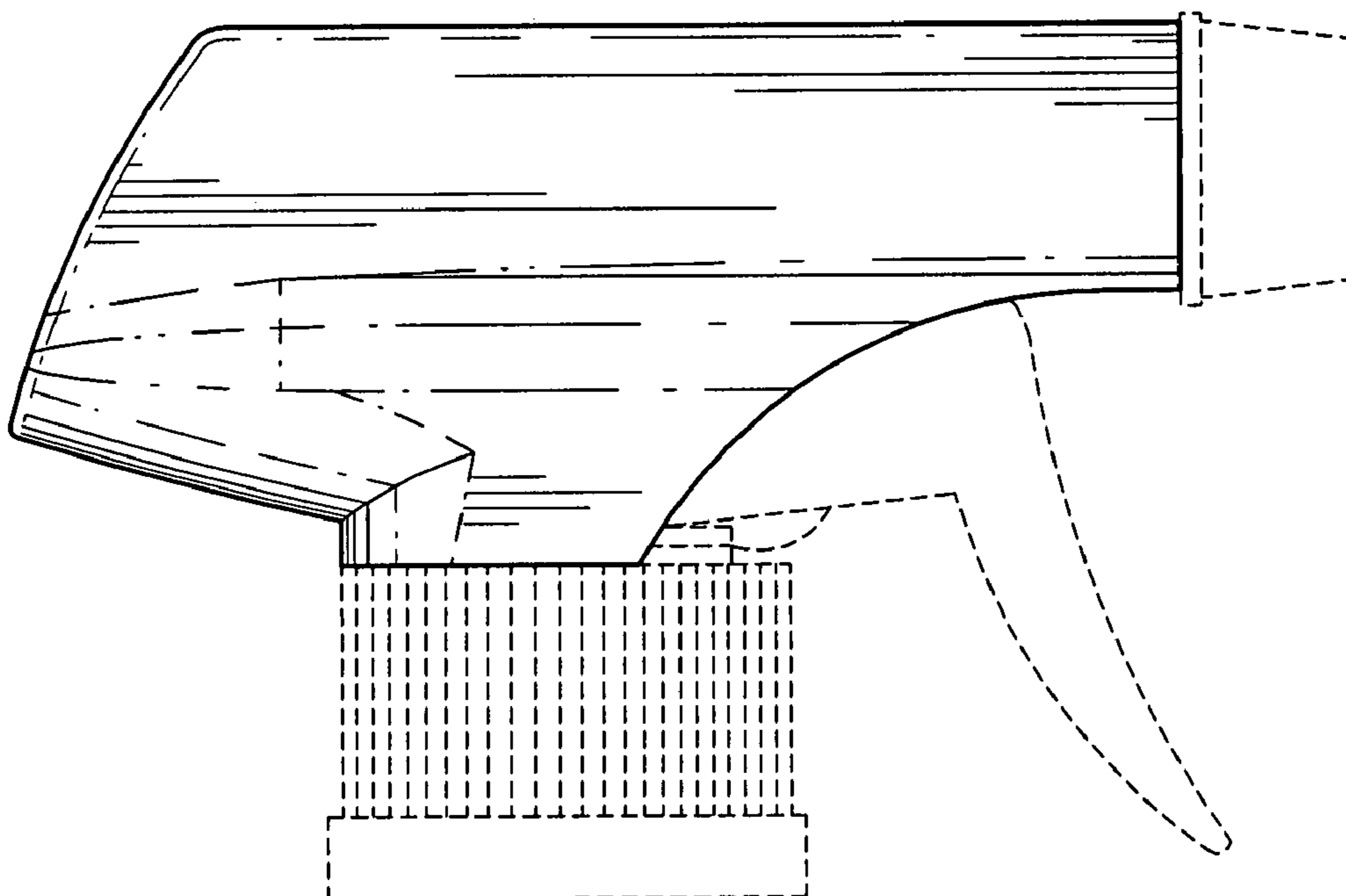


FIG. 6

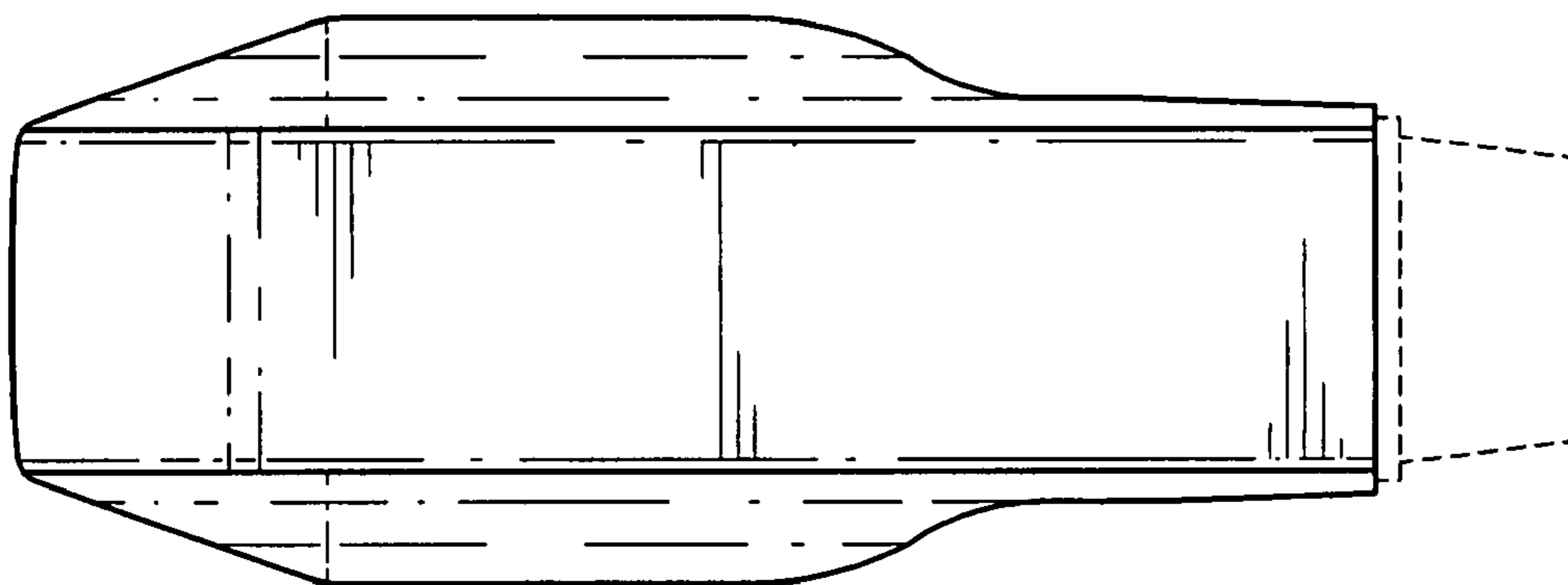


FIG. 7

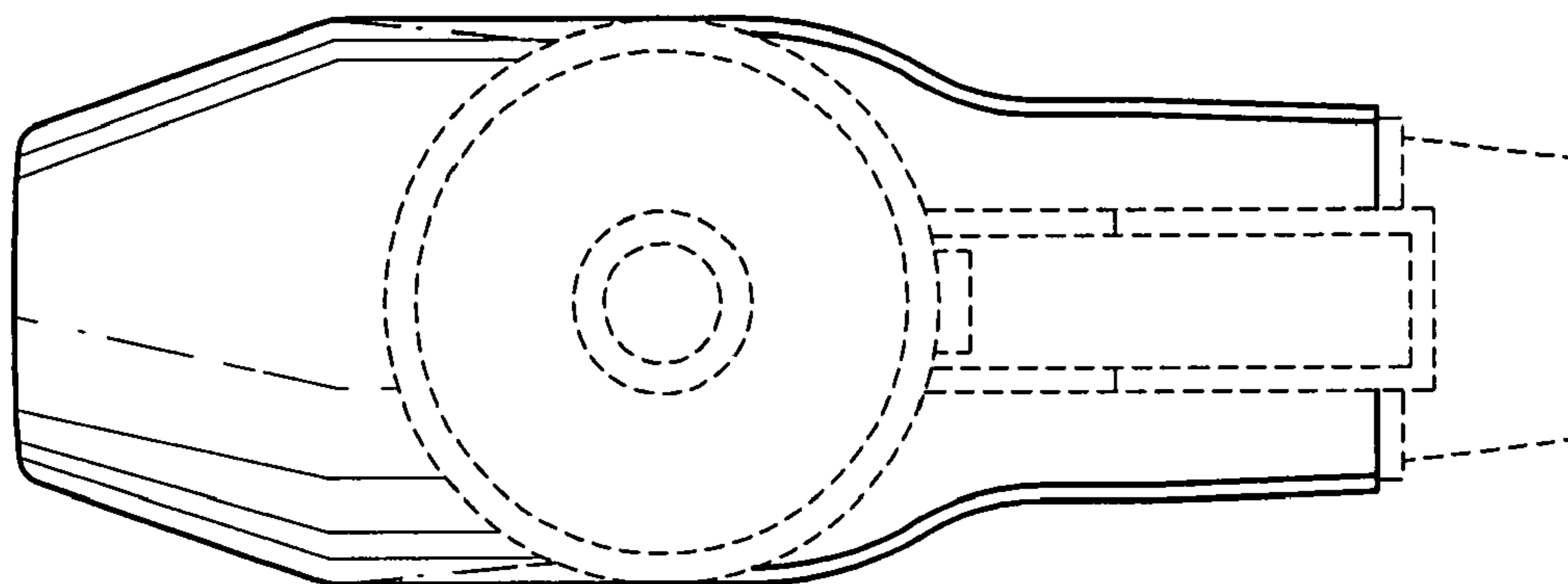


FIG. 8