

US00D570214S

(12) **United States Design Patent** (10) **Patent No.:** **US D570,214 S**
Foster et al. (45) **Date of Patent:** **** Jun. 3, 2008**

(54) **TRIGGER FOR A TRIGGER SPRAYER**

(75) Inventors: **Donald D. Foster**, St. Charles, MO (US); **Jeffrey P. Stark**, Lake Sherwood, MO (US)

(73) Assignee: **Continentalafa Dispensing Company**, St. Peters, MO (US)

(**) Term: **14 Years**

(21) Appl. No.: **29/250,193**

(22) Filed: **Nov. 6, 2006**

(51) **LOC (8) Cl.** **09-07**

(52) **U.S. Cl.** **D9/448**

(58) **Field of Classification Search** D9/686, D9/685, 682, 448, 447; 239/333, 288.5; 222/383.2, 383.1, 340; D23/226

See application file for complete search history.

(56) **References Cited**

U.S. PATENT DOCUMENTS

3,061,202	A	10/1962	Tyler	
3,112,849	A	12/1963	Wallace	
3,650,473	A	3/1972	Malone	
3,685,739	A	8/1972	Vanier	
3,904,086	A	9/1975	Losenno	
4,239,157	A *	12/1980	Fasth	239/288.5
4,449,696	A	5/1984	Hengesbach	
4,489,890	A	12/1984	Martin	
4,826,052	A	5/1989	Micallef	
5,207,359	A	5/1993	Steijns	
D376,318	S *	12/1996	Hildebrand	D9/448
5,695,095	A	12/1997	Hildebrand	

5,699,968	A	12/1997	Hung	
5,762,236	A	6/1998	Foster et al.	
D417,151	S *	11/1999	Spengler	D9/448
6,390,390	B1	5/2002	Hung	
6,626,382	B1	9/2003	Liu	
D488,535	S *	4/2004	Foster et al.	D23/226
6,886,718	B2 *	5/2005	Foster et al.	222/383.1
D510,408	S *	10/2005	Bitowft et al.	D23/226
D514,933	S *	2/2006	Bitowft et al.	D9/448

* cited by examiner

Primary Examiner—Gary D. Watson

Assistant Examiner—Susan B Hattan

(74) *Attorney, Agent, or Firm*—Thompson Coburn LLP

(57) **CLAIM**

The ornamental design for a trigger for a trigger sprayer, as shown and described.

DESCRIPTION

FIG. 1 is a front elevation view of a trigger for a trigger sprayer;

FIG. 2 is a rear elevation view of the trigger;

FIG. 3 is a right side elevation view of the trigger, the left side elevation view being a mirror image thereof;

FIG. 4 is a top plan view of the trigger;

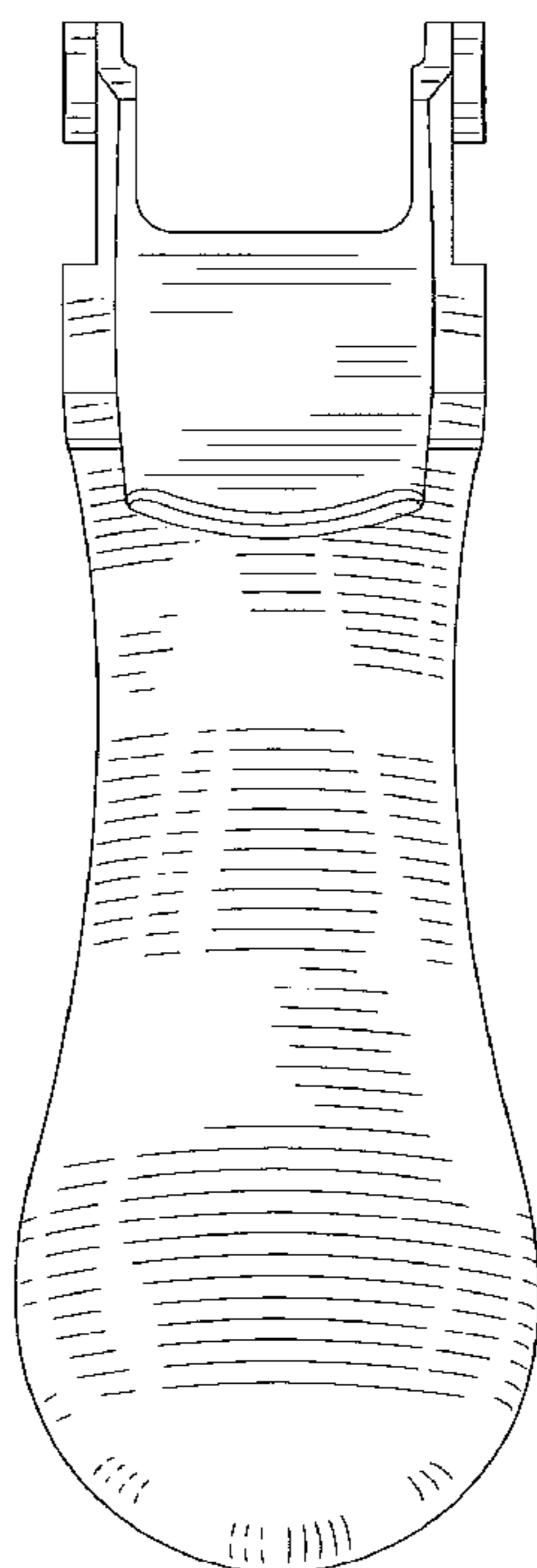
FIG. 5 is a bottom plan view of the trigger;

FIG. 6 is a front perspective view of the trigger;

FIG. 7 is another front perspective view of the trigger; and,

FIG. 8 is a rear perspective view of the trigger.

1 Claim, 4 Drawing Sheets



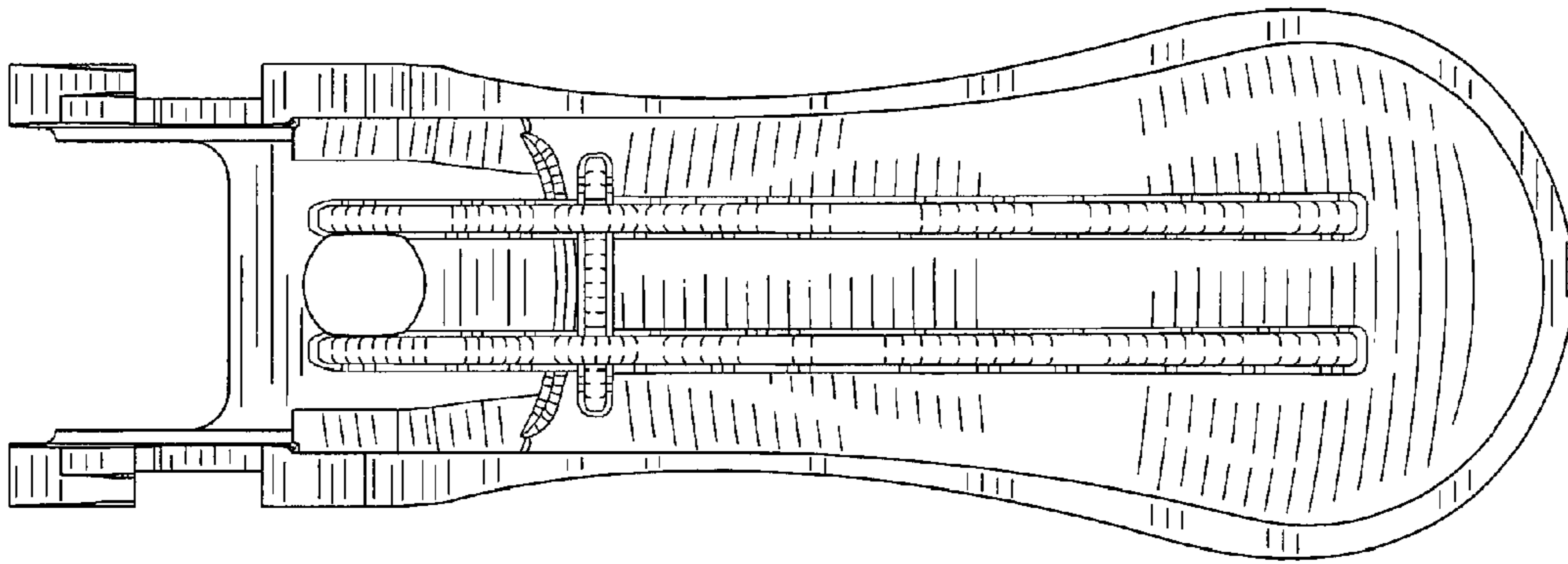


Fig. 2

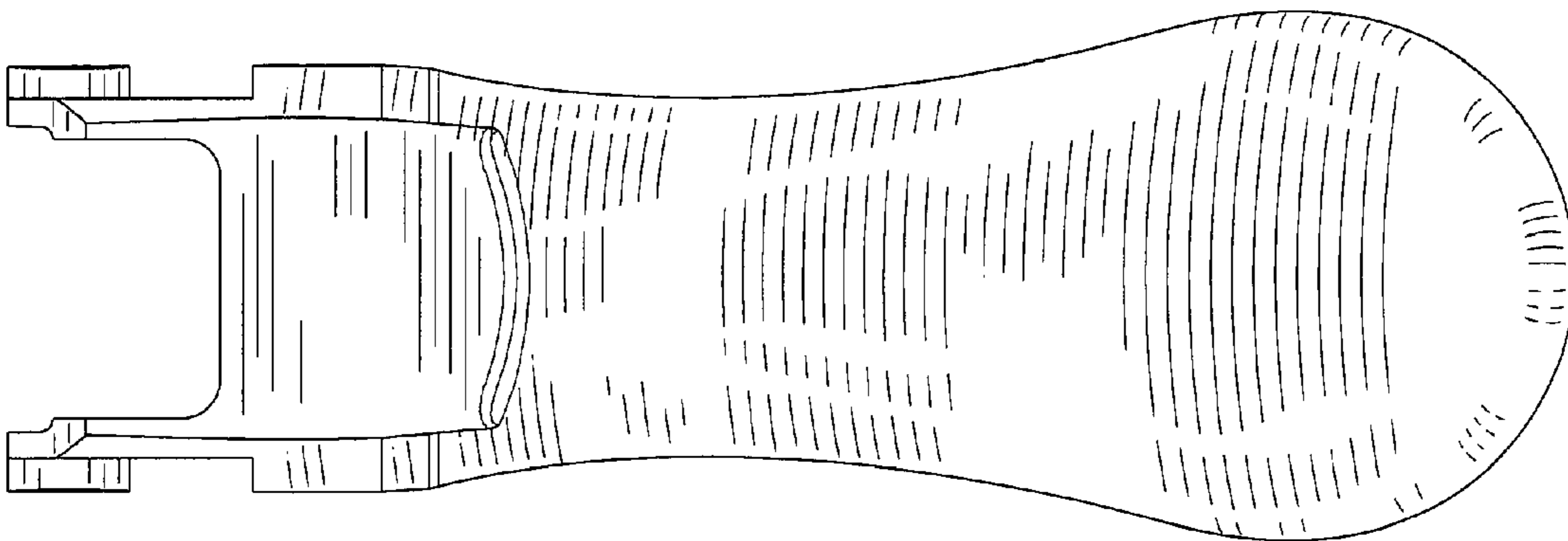


Fig. 1

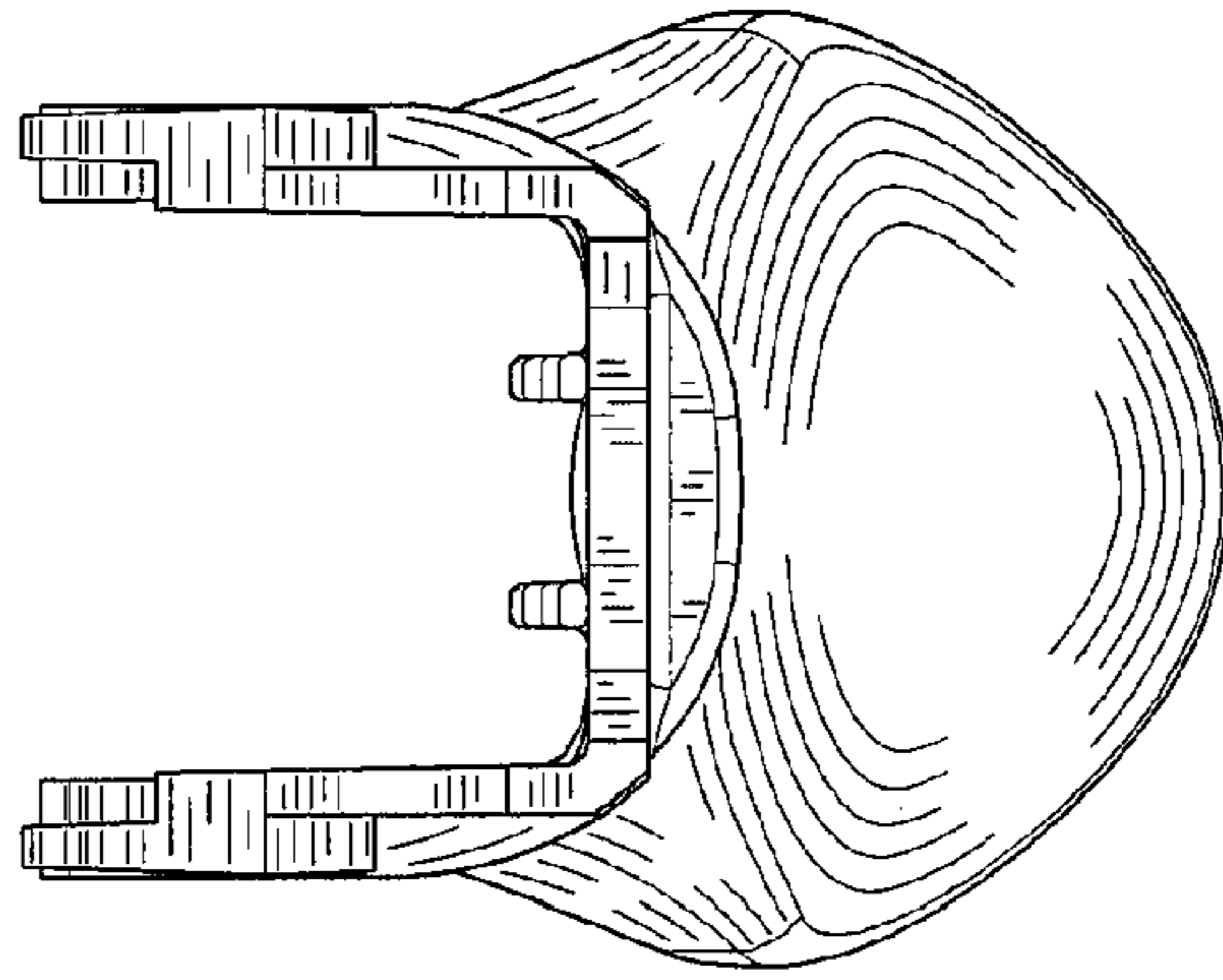


Fig. 4

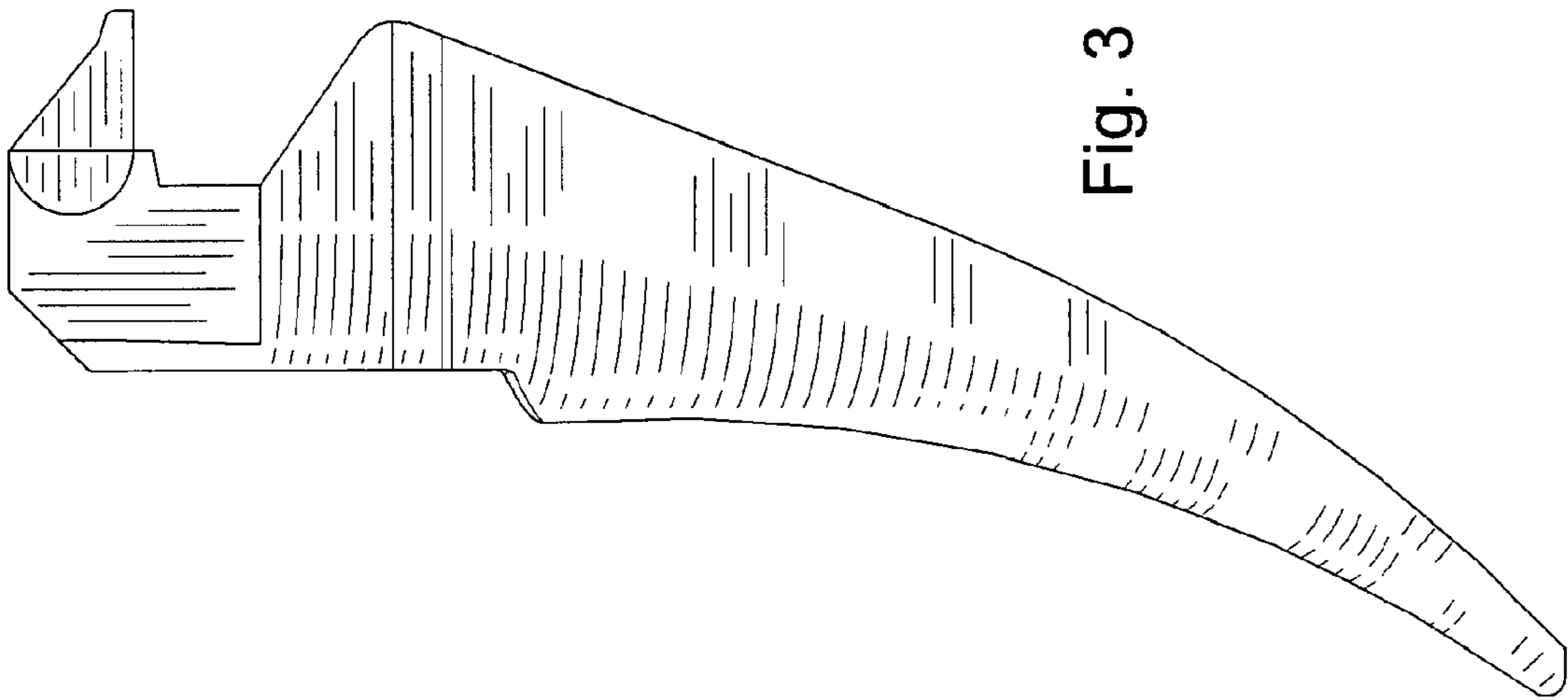


Fig. 3

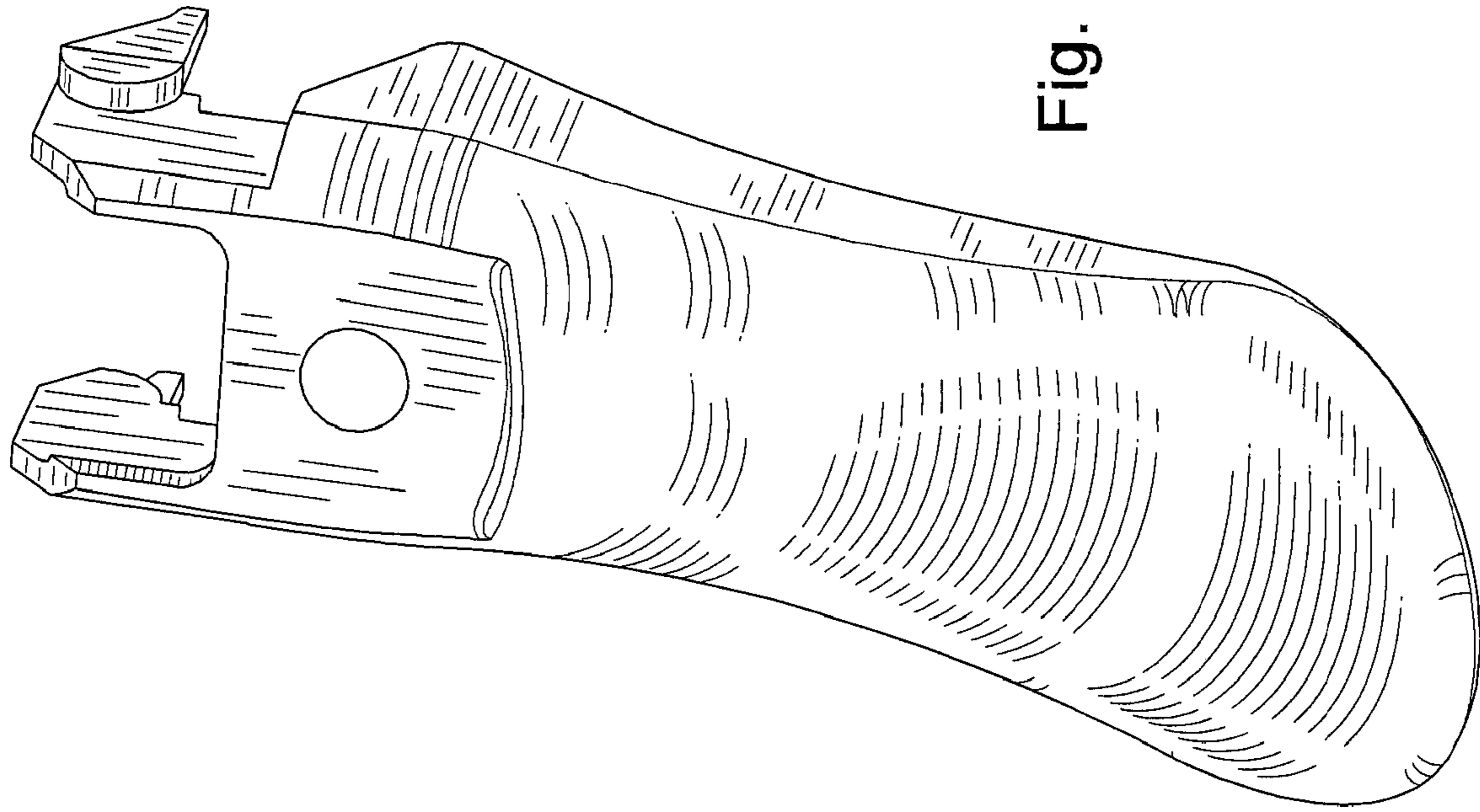


Fig. 6

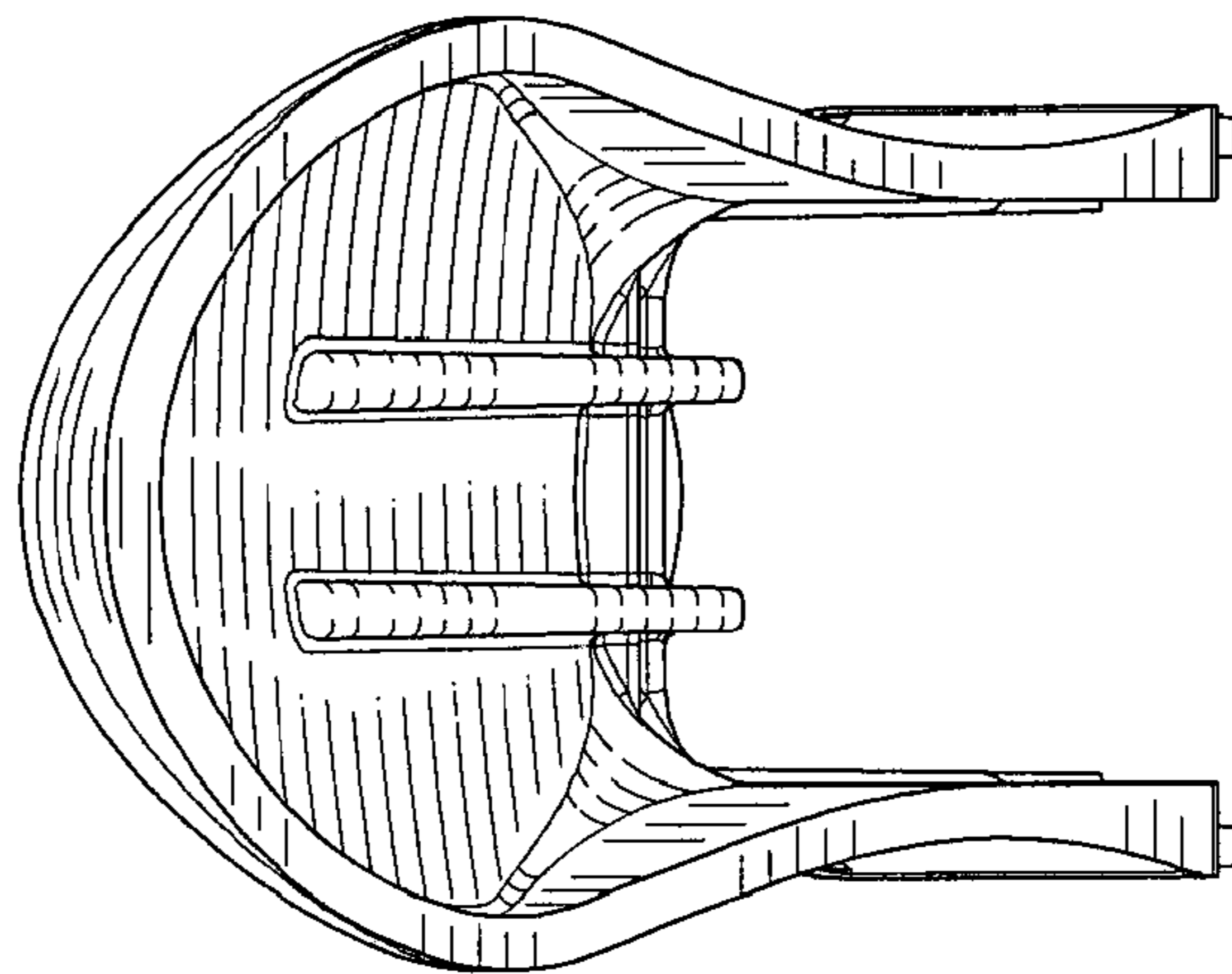


Fig. 5

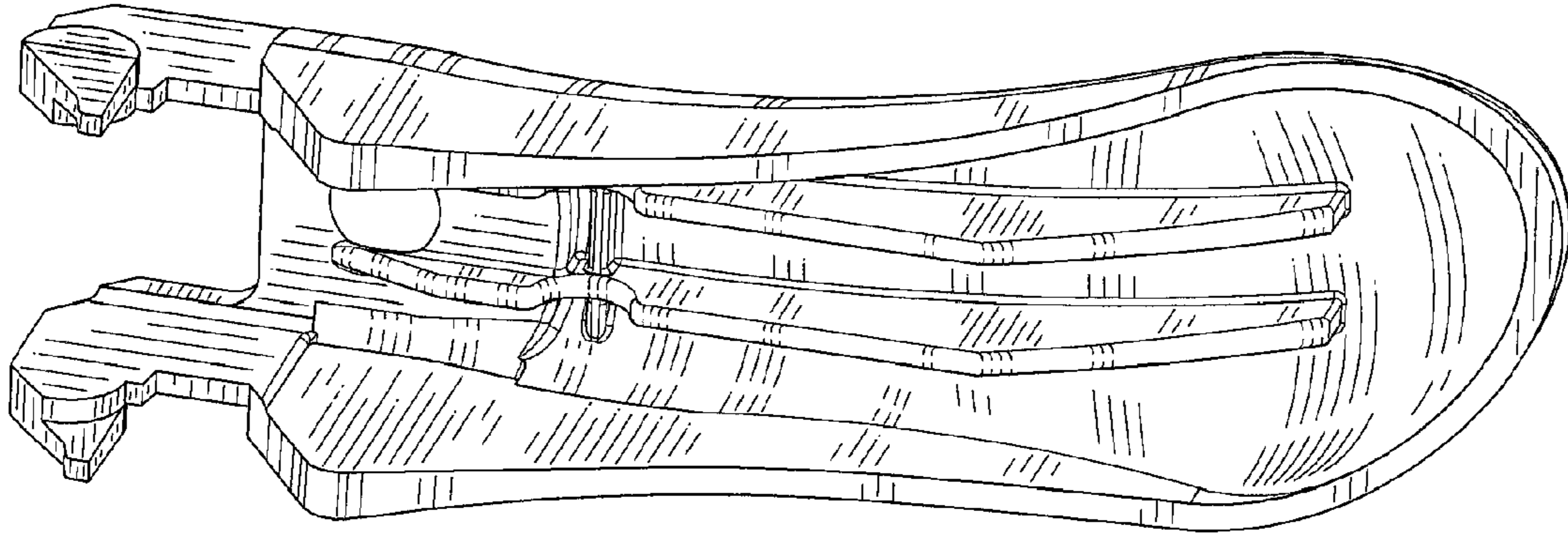


Fig. 8

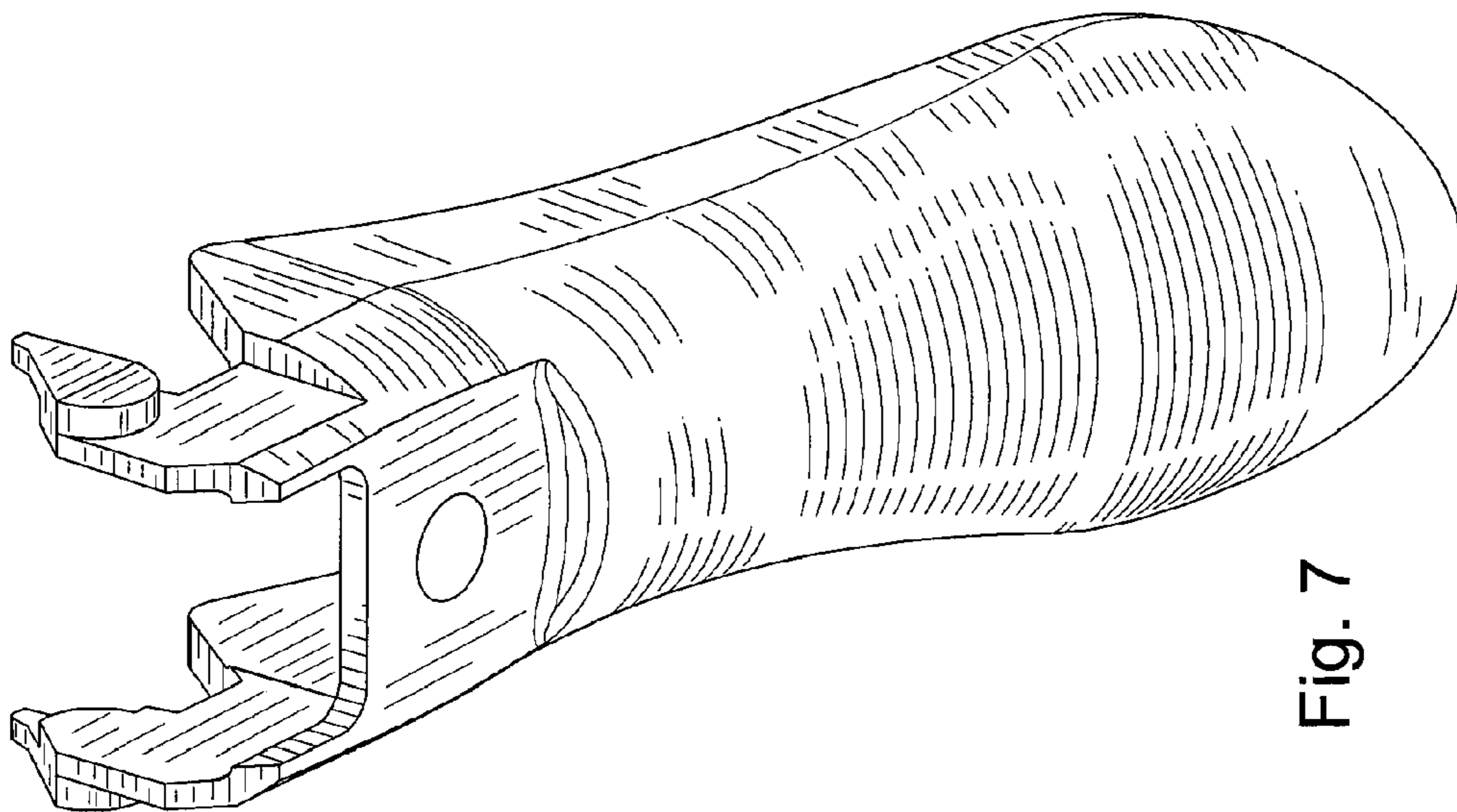


Fig. 7