



US00D570213S

(12) **United States Design Patent**
Newman

(10) **Patent No.:** **US D570,213 S**
(45) **Date of Patent:** **** Jun. 3, 2008**

(54) **LID FOR A DISPOSABLE DRINK CUP**

(76) Inventor: **John Newman**, 31793 Sierra Del Sol,
Thousand Palms, CA (US) 92276

(**) Term: **14 Years**

(21) Appl. No.: **29/273,285**

(22) Filed: **Mar. 1, 2007**

(51) **LOC (8) Cl.** **09-07**

(52) **U.S. Cl.** **D9/447; D9/454**

(58) **Field of Classification Search** D9/600,
D9/454, 453, 452, 449, 447, 445, 438, 435;
D7/392.1; 220/711-713, 268, 266, 254,
220/254.3-254.9, 254.1; 229/906.1

See application file for complete search history.

(56) **References Cited**

U.S. PATENT DOCUMENTS

D287,919 S *	1/1987	Clements	D7/392.1
D299,010 S *	12/1988	Wall	D9/454
D363,665 S *	10/1995	Goto et al.	D9/447
D437,223 S *	2/2001	Coy et al.	D9/447
D502,396 S *	3/2005	Frisch et al.	D9/450
6,929,143 B2 *	8/2005	Mazzarolo	220/254.3
7,185,781 B2 *	3/2007	Pitts	220/713
D546,180 S *	7/2007	Jowett et al.	D9/447

* cited by examiner

Primary Examiner—Gary D. Watson
Assistant Examiner—Susan Bennett Hattan

(74) *Attorney, Agent, or Firm*—Gene Scott; Patent Law &
Venture Group

(57) **CLAIM**

The ornamental design for a “lid for a disposable drink cup,”
as shown and described.

DESCRIPTION

FIG. 1 is a perspective view of a lid for a disposable drink
cup shown mounted on a cup and illustrating my new
design;

FIG. 2 is a top plan view thereof;

FIG. 3 is a bottom plan view thereof;

FIG. 4 is a right side elevational view thereof with a partial
cutaway of a side wall thereof, to reveal an interior orna-
mental portion, the left side elevational view being a mirror
image thereof;

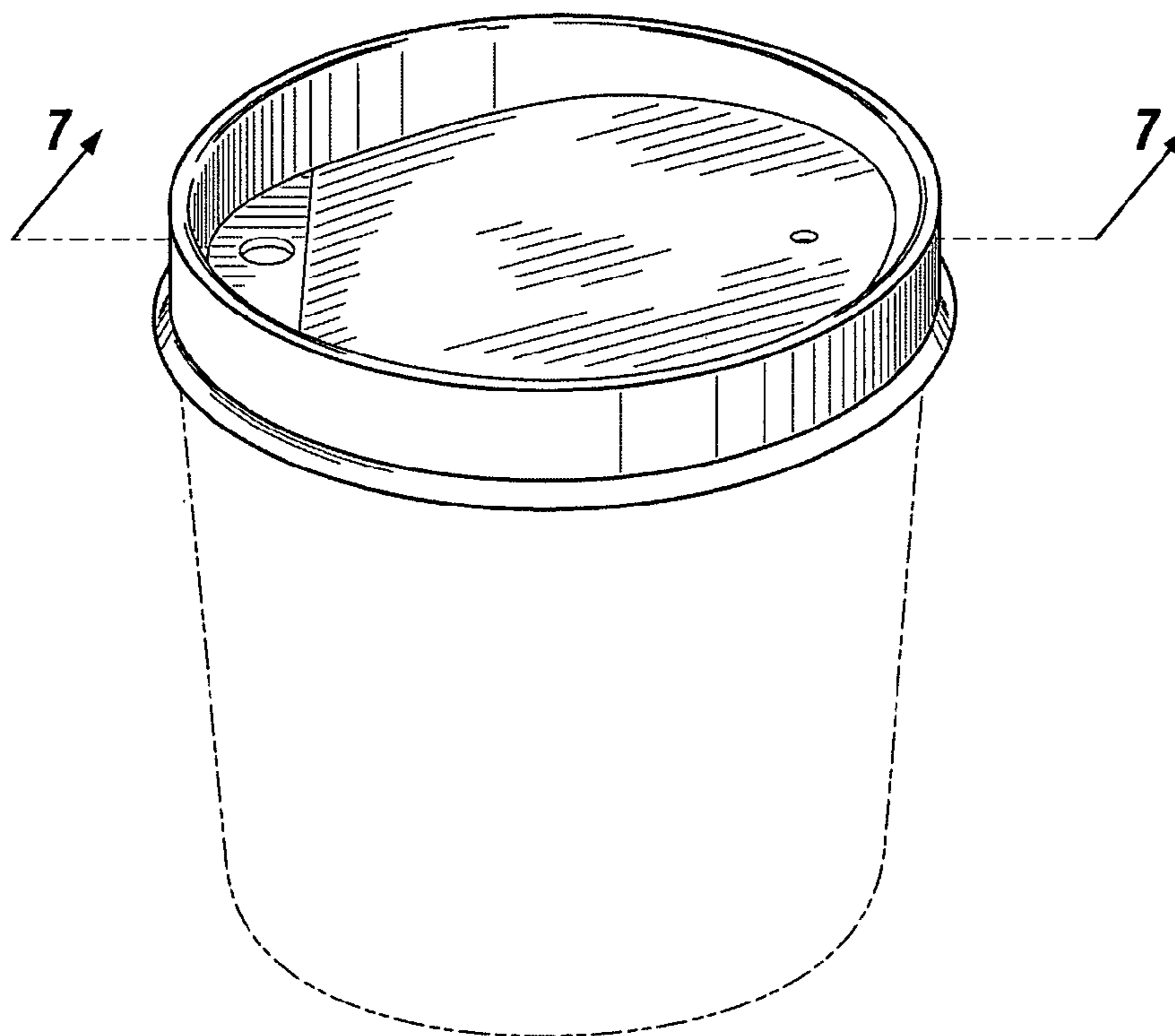
FIG. 5 is a rear elevational view thereof with a partial
cutaway of the side wall to reveal a further aspect of the
interior ornamental portion;

FIG. 6 is a side elevational view thereof as viewed from any
side position as the side wall of the lid is circularly uniform;
and,

FIG. 7 is a cross sectional view thereof taken along line 7—7
in FIG. 1.

The broken line environmental structure is for illustrative
purposes only and forms no part of the claimed design.

1 Claim, 4 Drawing Sheets



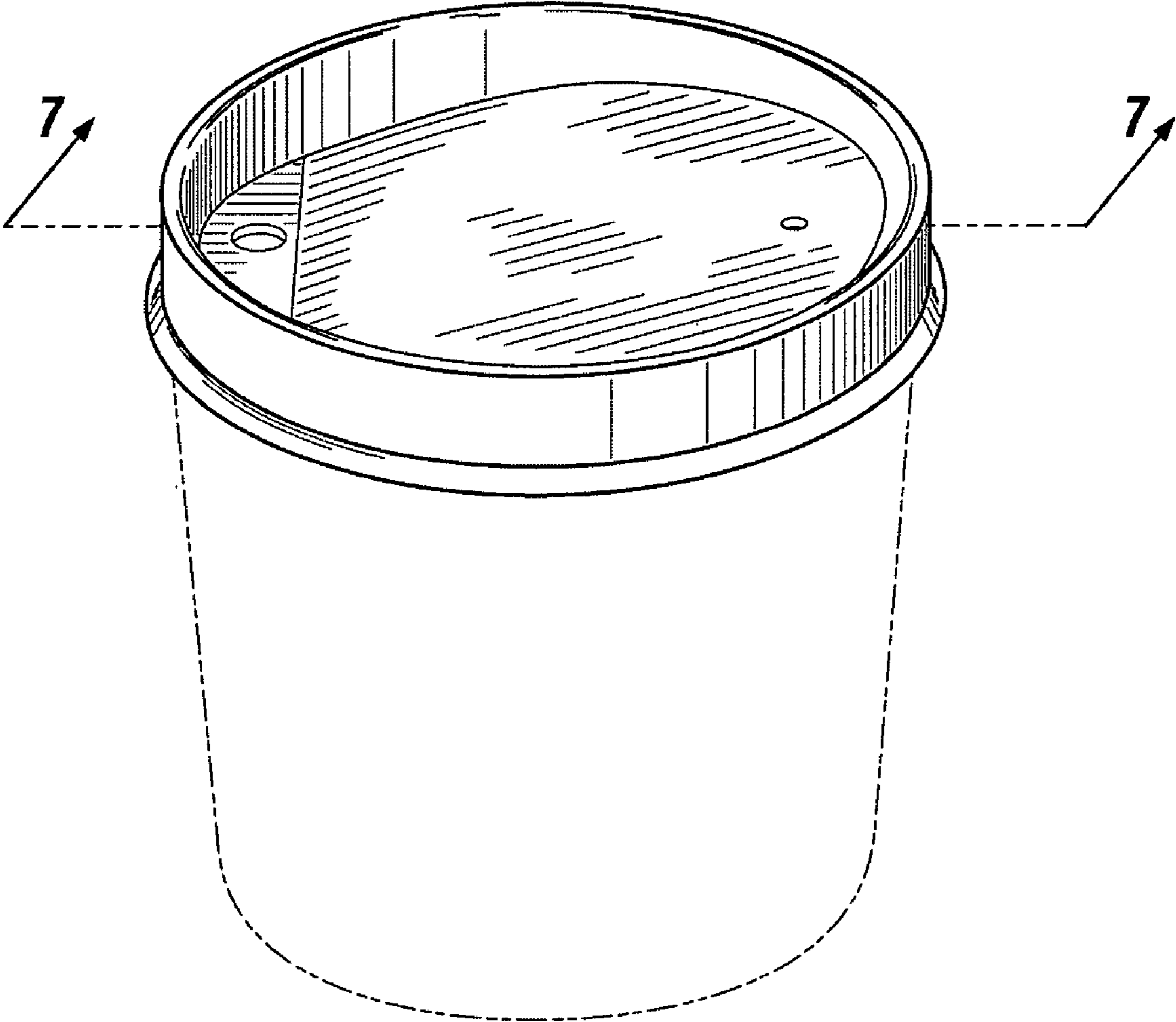


FIG. 1

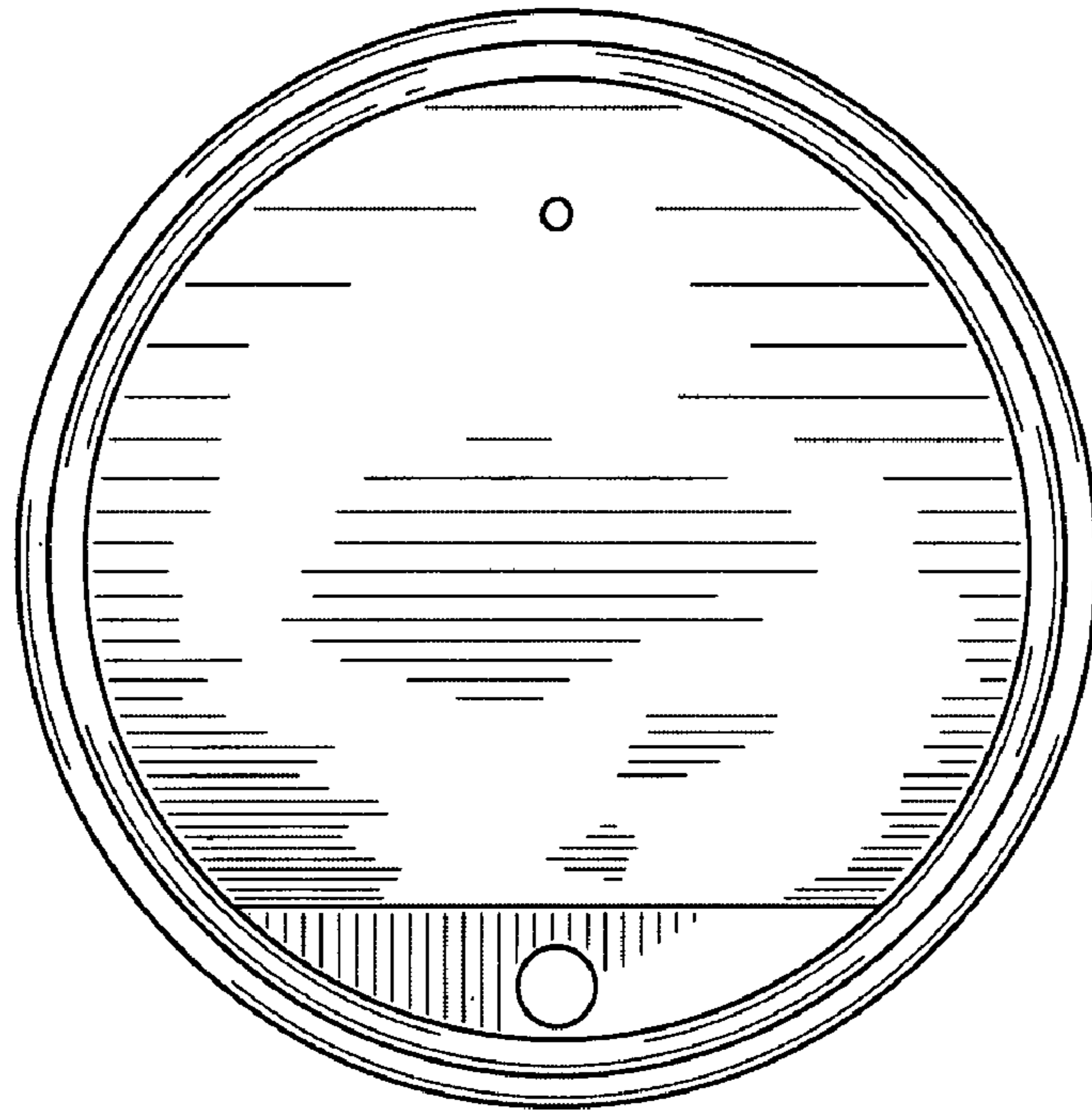


FIG. 2

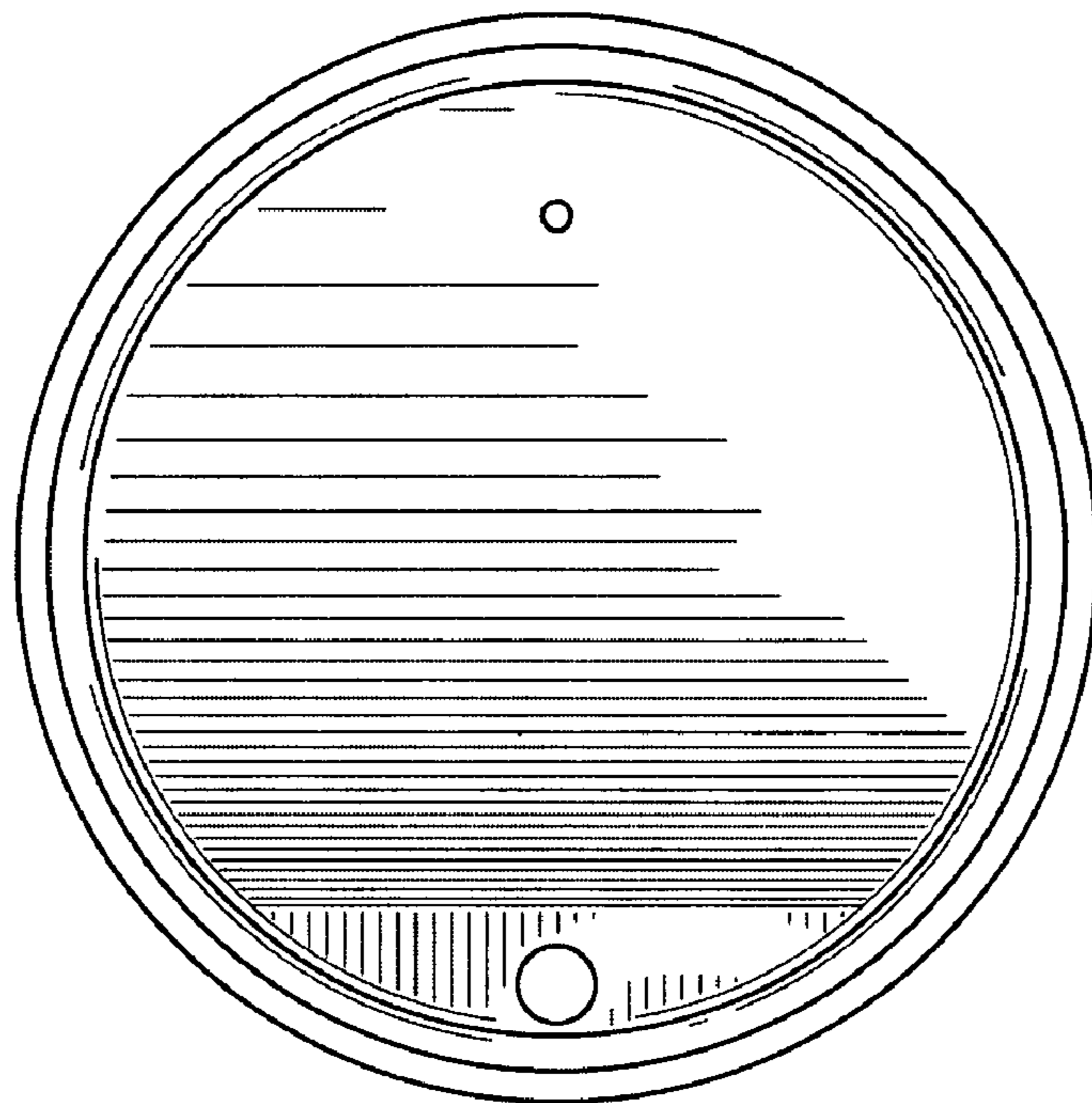


FIG. 3

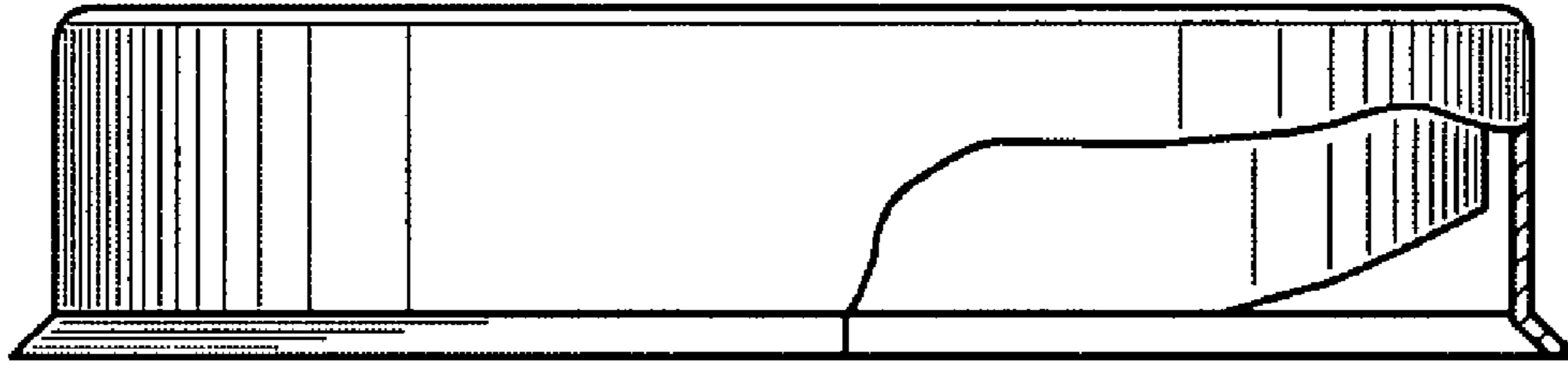


FIG. 4



FIG. 5

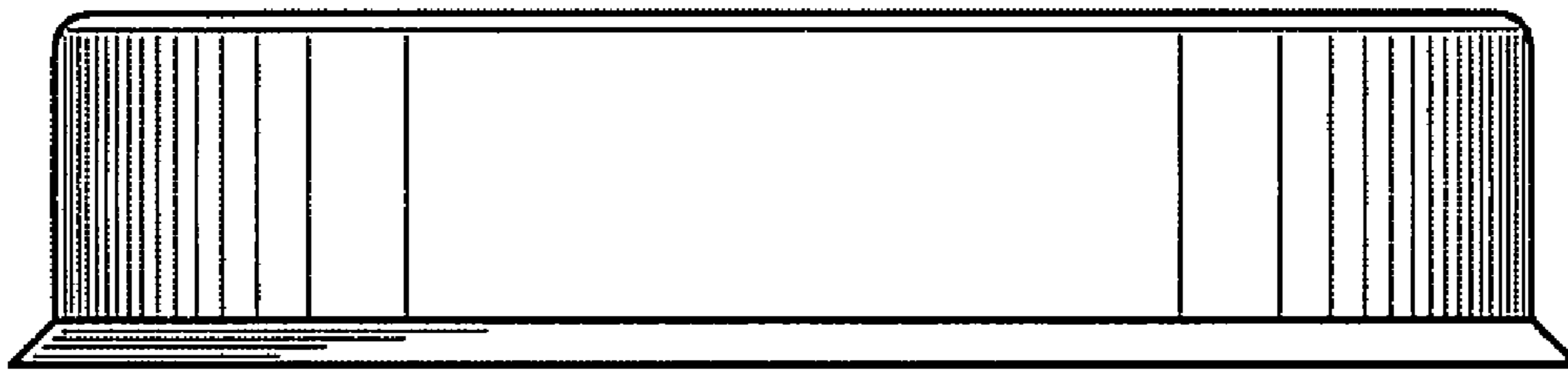


FIG. 6

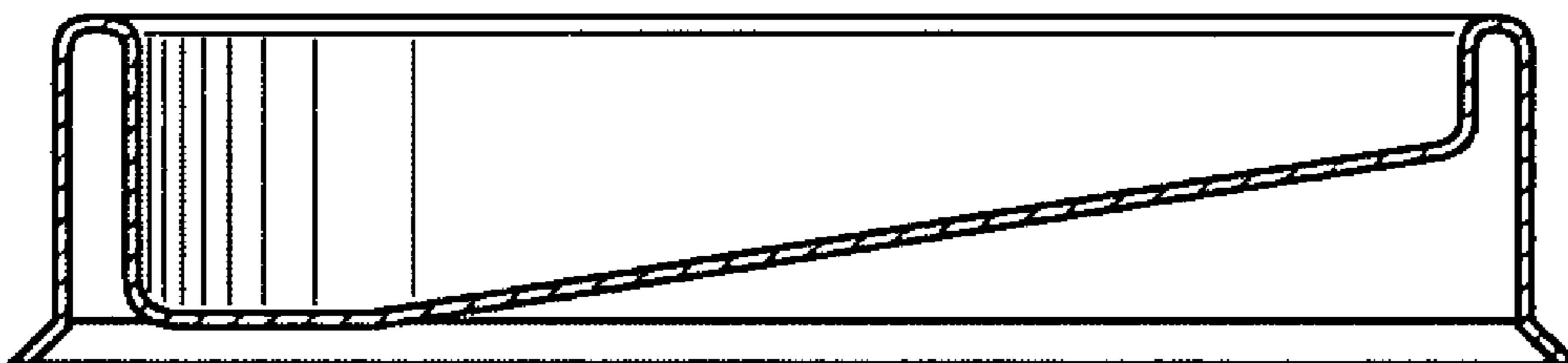


FIG. 7