



US00D570211S

(12) **United States Design Patent**
Leoncavallo et al.

(10) **Patent No.:** **US D570,211 S**
(45) **Date of Patent:** **** Jun. 3, 2008**

(54) **BOTTLE CLOSURE**

(75) Inventors: **Richard A. Leoncavallo**, Niagara Falls, NY (US); **John D. DeLorme**, Spencerport, NY (US)

(73) Assignee: **Nalge Nunc International Corporation**, Rochester, NY (US)

(**) Term: **14 Years**

(21) Appl. No.: **29/284,027**

(22) Filed: **Aug. 29, 2007**

(51) **LOC (8) Cl.** **09-07**

(52) **U.S. Cl.** **D9/435**; D9/434; D9/439

(58) **Field of Classification Search** D9/434, D9/435, 436, 437, 438, 440, 443, 447, 449, D9/450, 452, 453, 454, 500, 503, 505, 523, D9/528, 537, 538, 539, 545, 548; D10/46.2; 220/228, 306, 710; 224/148.2; 215/1 R, 215/1 C, 6, 41, 228, 249, 250, 251, 252, 215/253, 320, 329, 325, 354, 382; 428/833.5; 222/570

See application file for complete search history.

(56) **References Cited**

U.S. PATENT DOCUMENTS

364,334	A	6/1887	Brink et al.	
2,217,765	A	10/1940	Murdock	
D352,002	S	* 11/1994	Culter et al.	D9/435
D354,229	S	* 1/1995	Desgrippes	D9/503
5,597,089	A	* 1/1997	Smith	220/710
D382,482	S	* 8/1997	Lathrop et al.	D9/453
D404,312	S	* 1/1999	Granai	D9/558
D405,693	S	* 2/1999	Bretz et al.	D9/447
5,945,191	A	* 8/1999	Hwang et al.	428/833.5

6,283,318	B1	9/2001	Lee	
D464,263	S	* 10/2002	White et al.	D9/447
6,499,614	B1	* 12/2002	Thompson	215/6
D513,585	S	* 1/2006	Biesecker et al.	D9/449
D543,454	S	5/2007	Leoncavallo et al.	
D558,070	S	* 12/2007	Bober et al.	D10/46.2
7,311,231	B2	* 12/2007	Noell et al.	224/148.2

* cited by examiner

Primary Examiner—T. Chase Nelson

Assistant Examiner—Barbara B Lohr

(74) *Attorney, Agent, or Firm*—Wood, Herron & Evans, LLP

(57) **CLAIM**

The ornamental design for the bottle closure, as shown and described.

DESCRIPTION

FIG. 1 is a perspective view of a bottle closure incorporating the design of my new invention;

FIG. 2 is a front elevation view thereof;

FIG. 3 is a left side elevation view thereof, depicting a bottle in phantom;

FIG. 4 is a left side elevation view thereof;

FIG. 5 is a rear elevation view thereof;

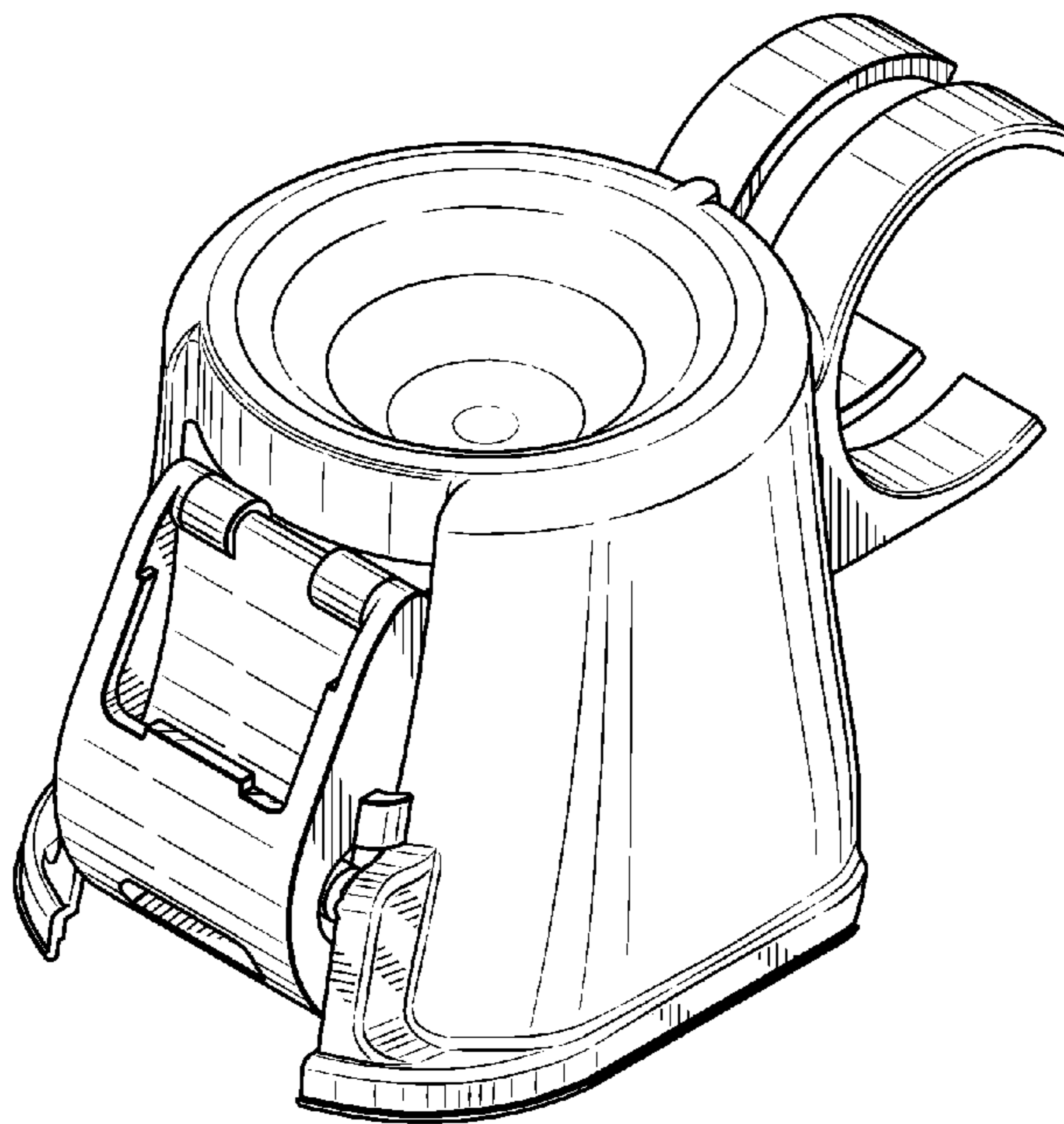
FIG. 6 is a right side elevation view thereof;

FIG. 7 is a top plan view thereof; and,

FIG. 8 is a bottom plan view thereof.

The phantom lines in the figures of the bottle closure are for illustrative purposes only and form no part of the claimed design.

1 Claim, 4 Drawing Sheets



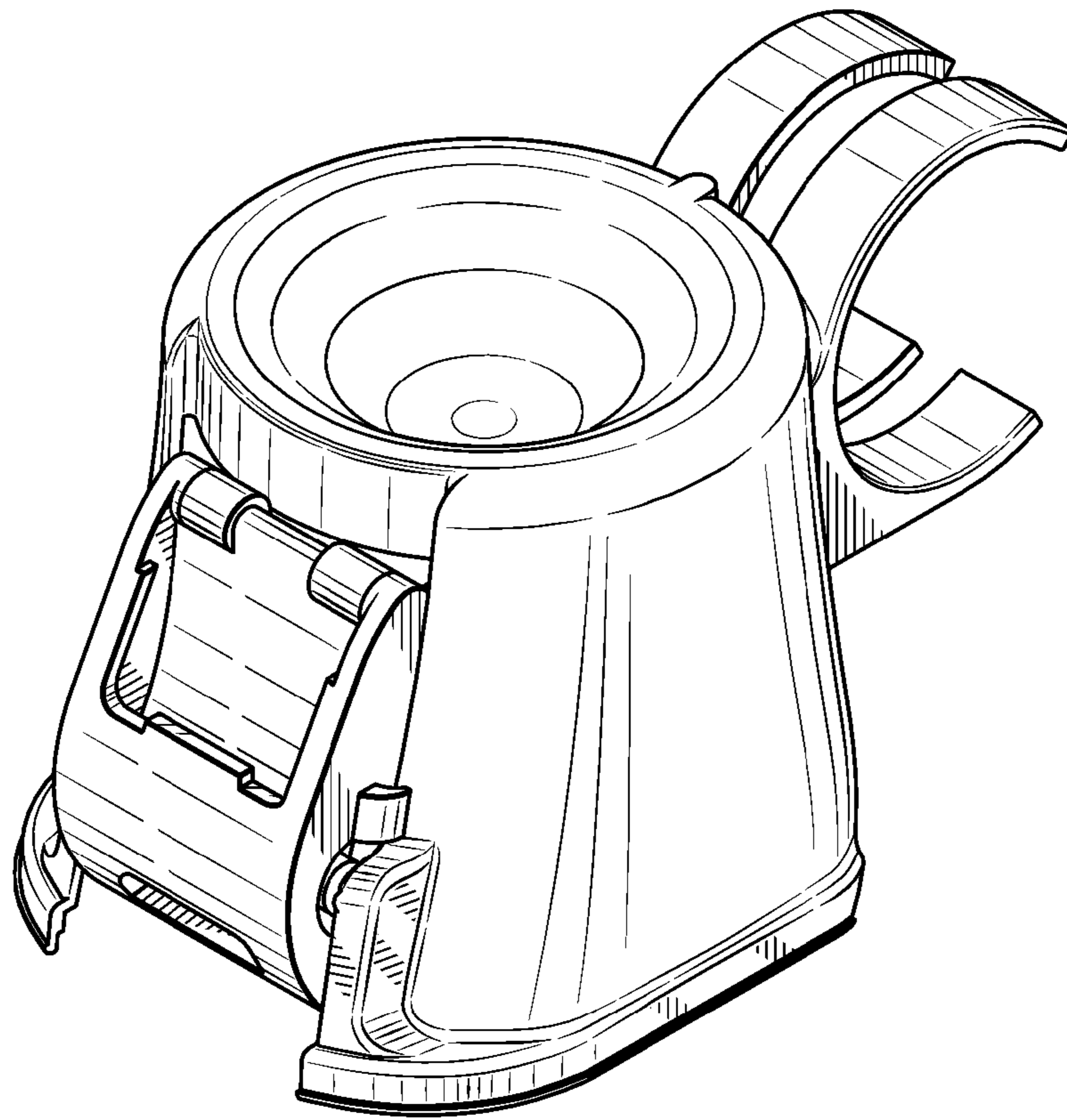


FIG. 1

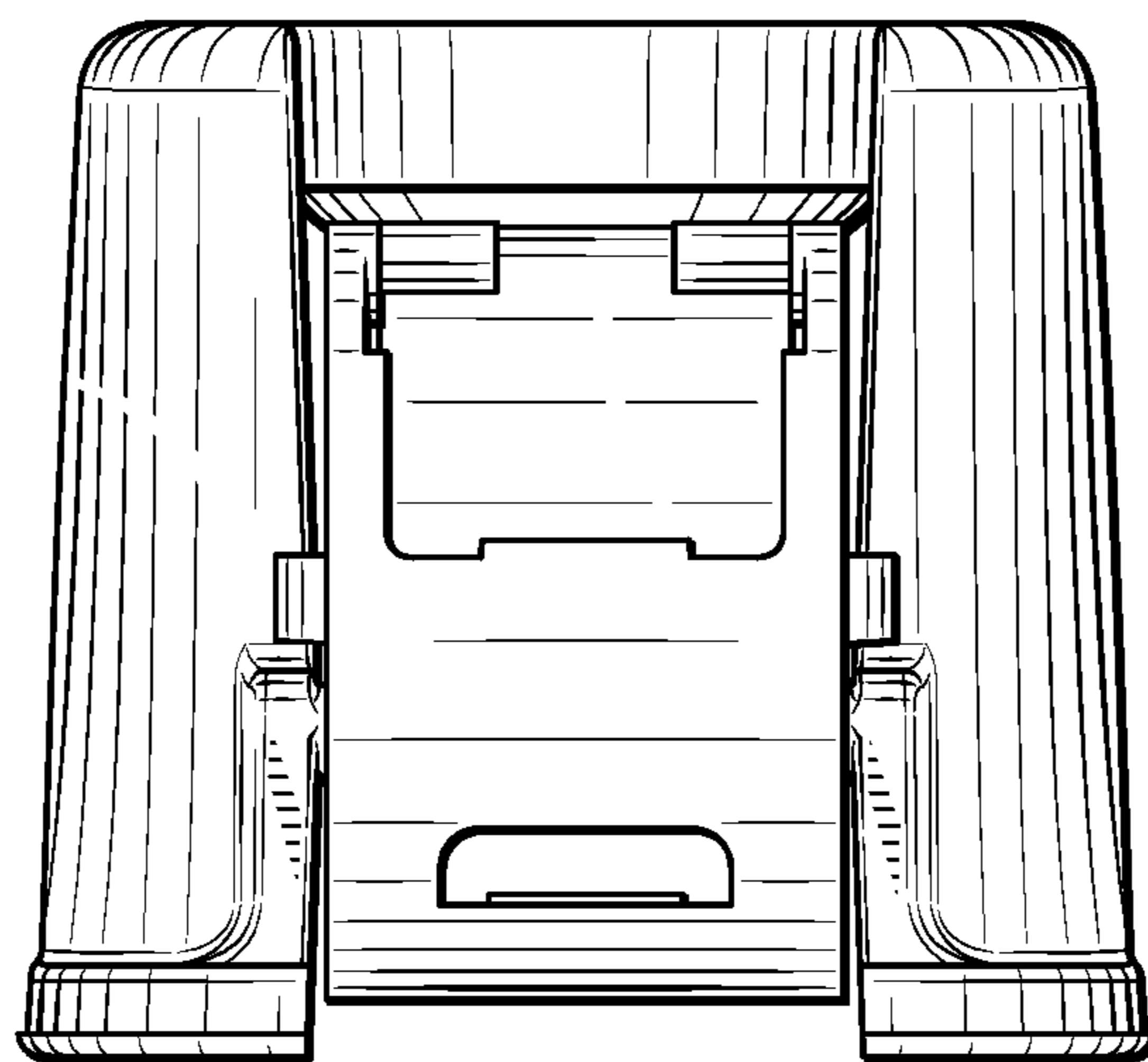


FIG. 2

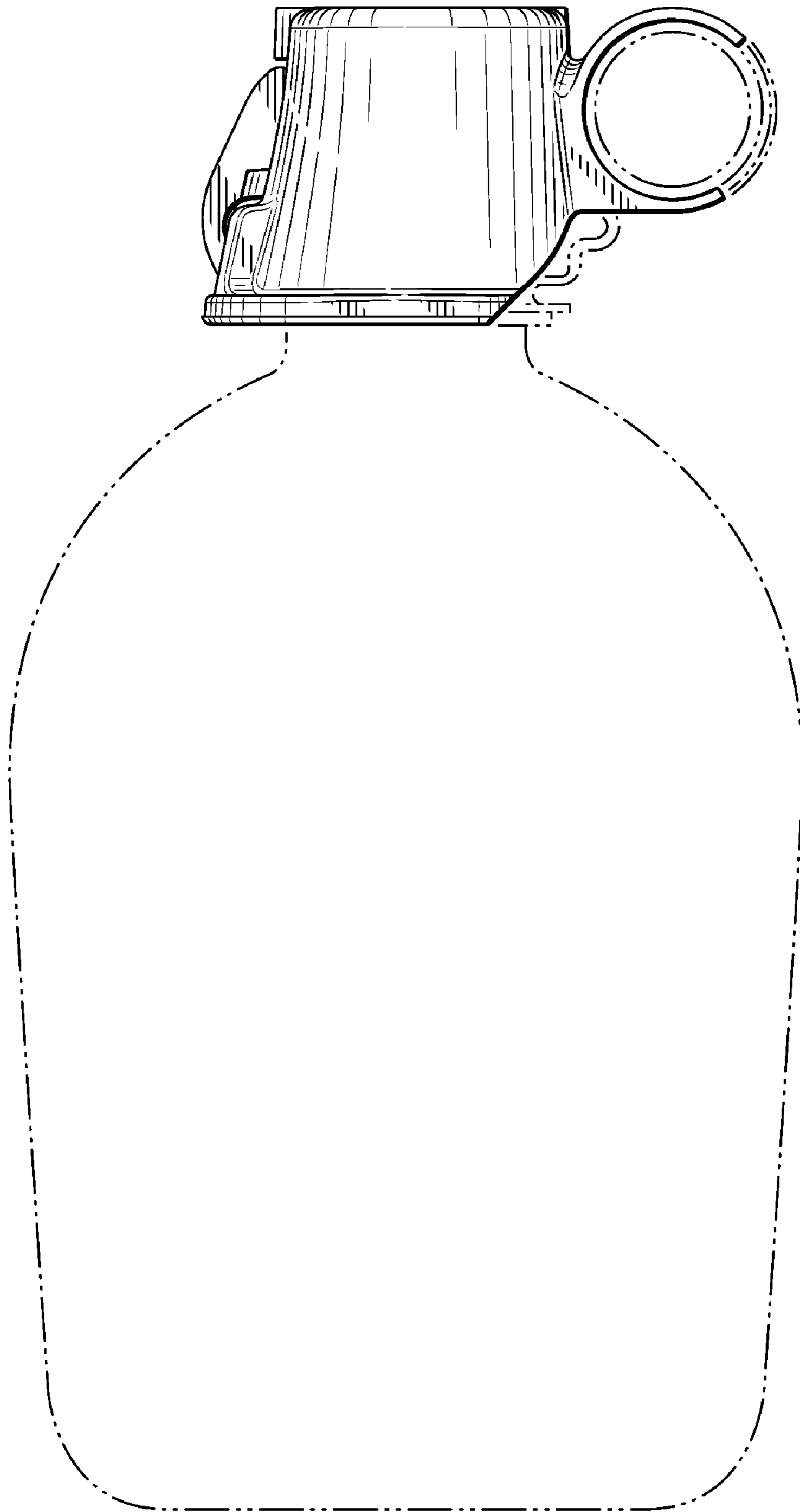


FIG. 3

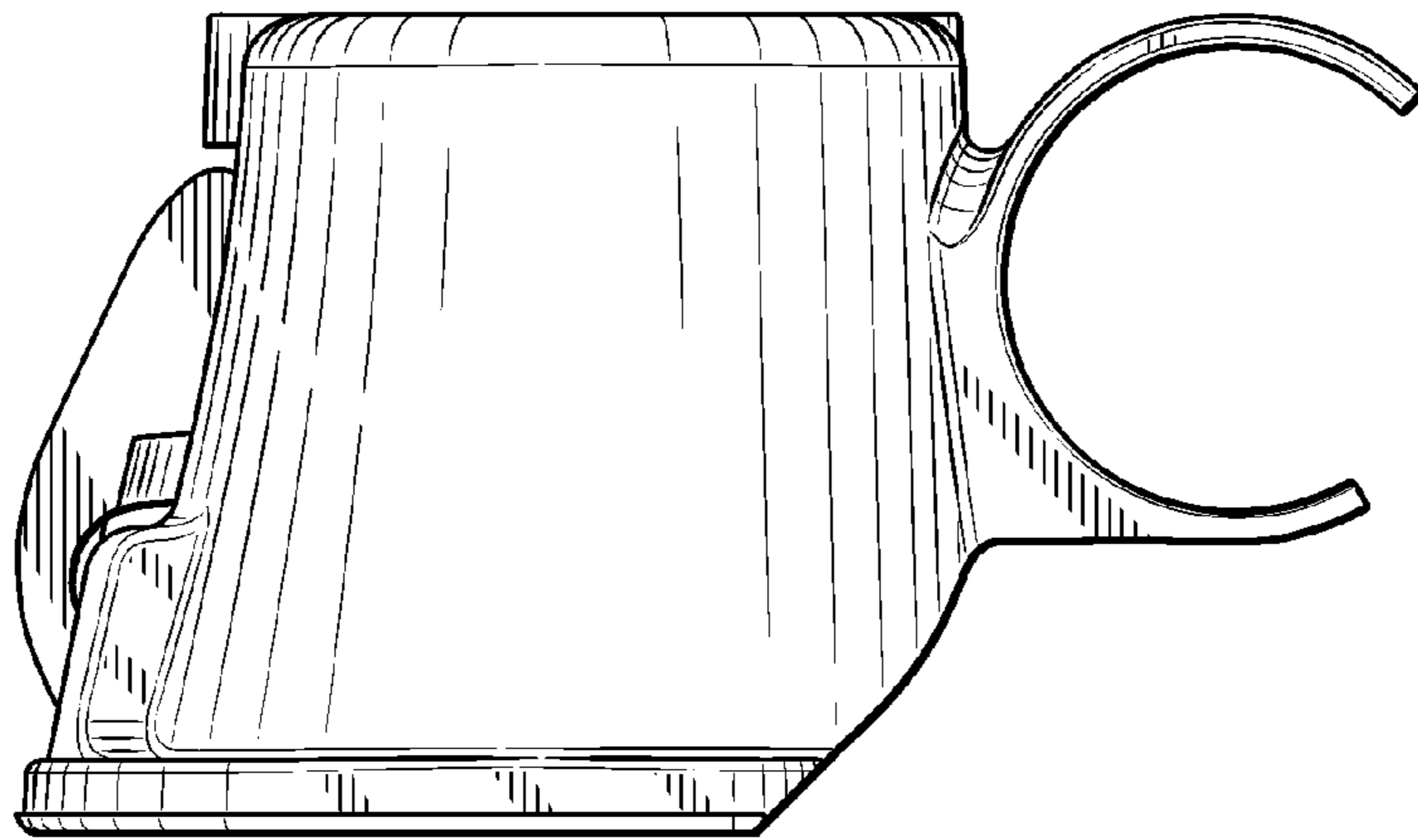


FIG. 4

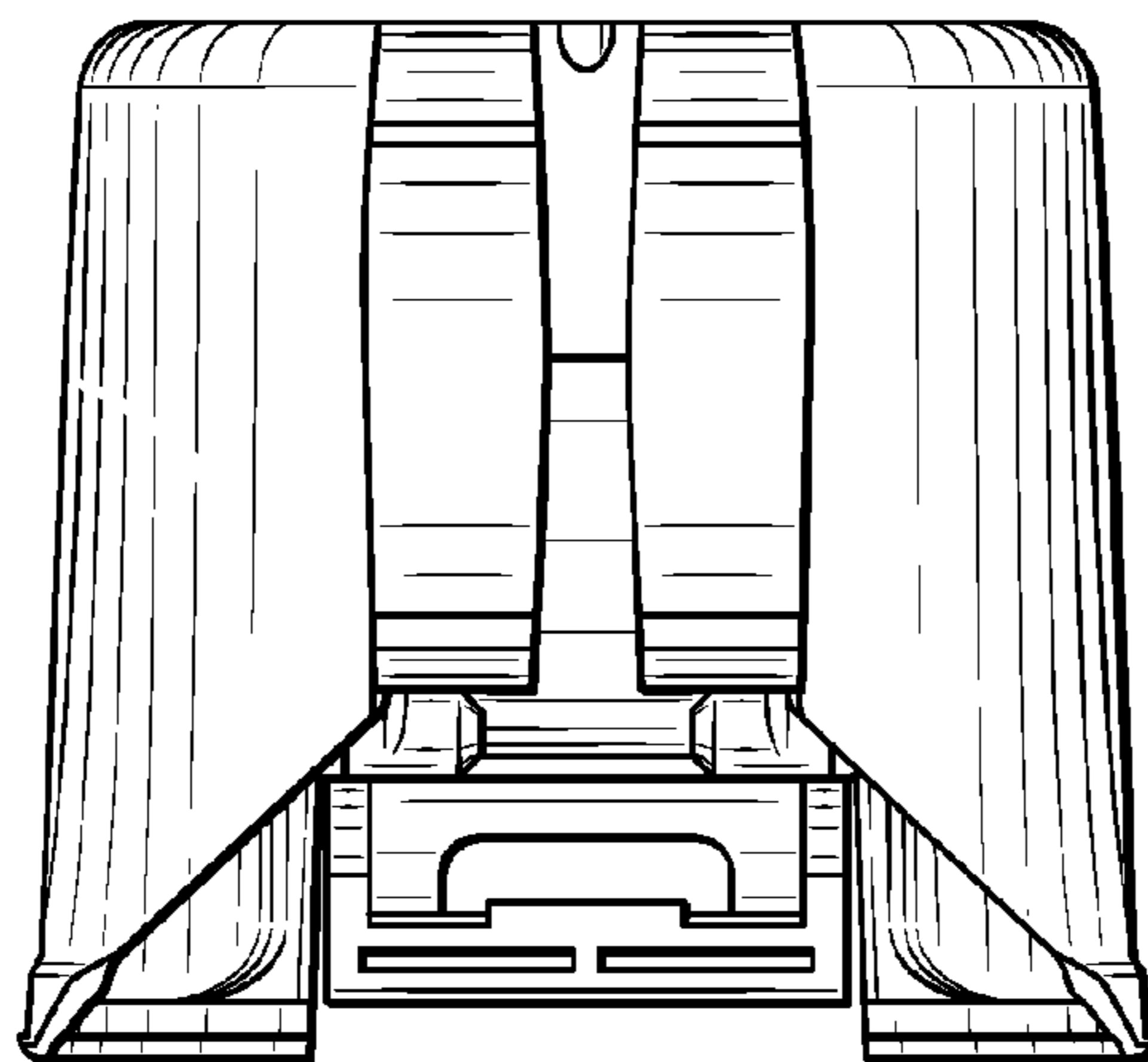


FIG. 5

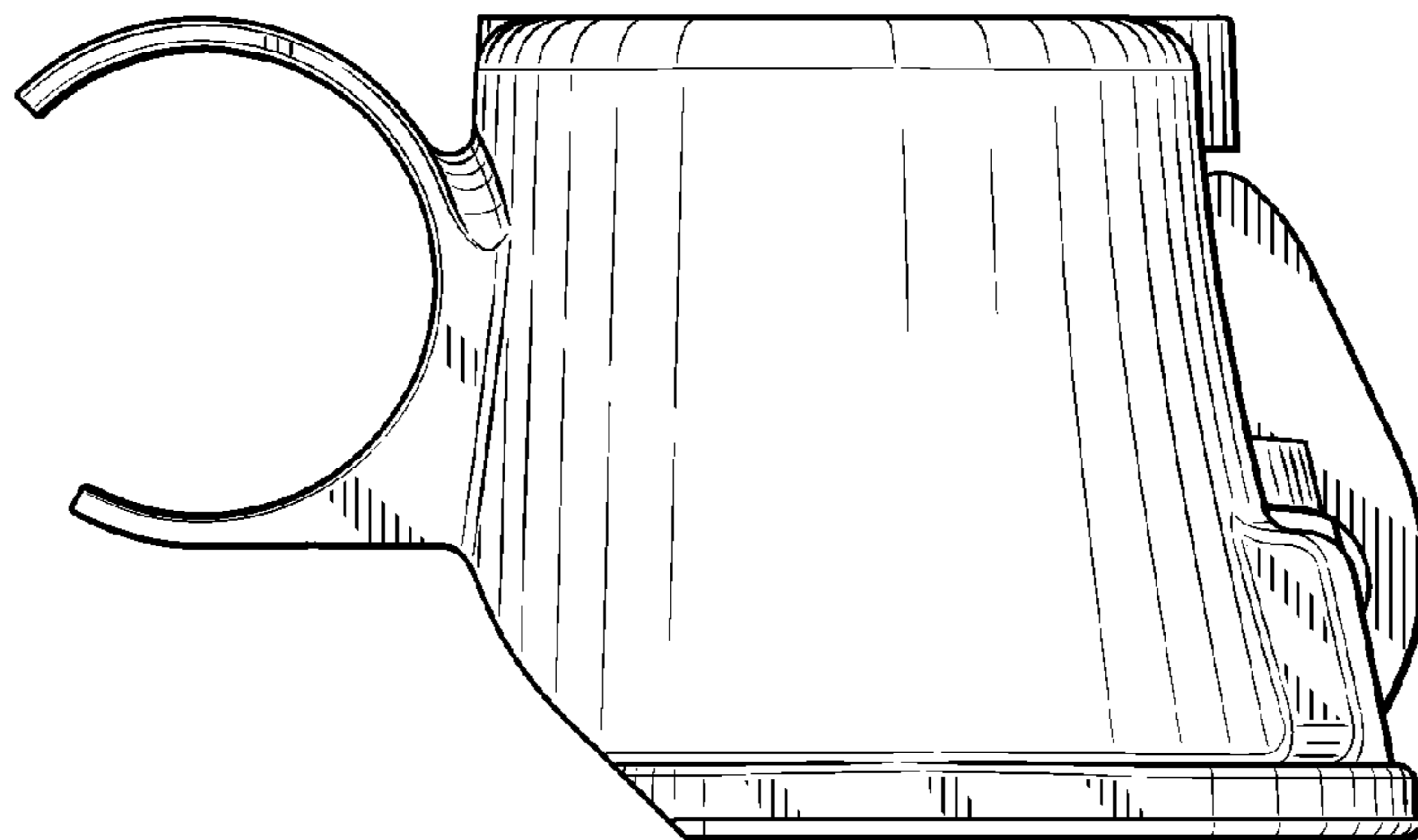


FIG. 6

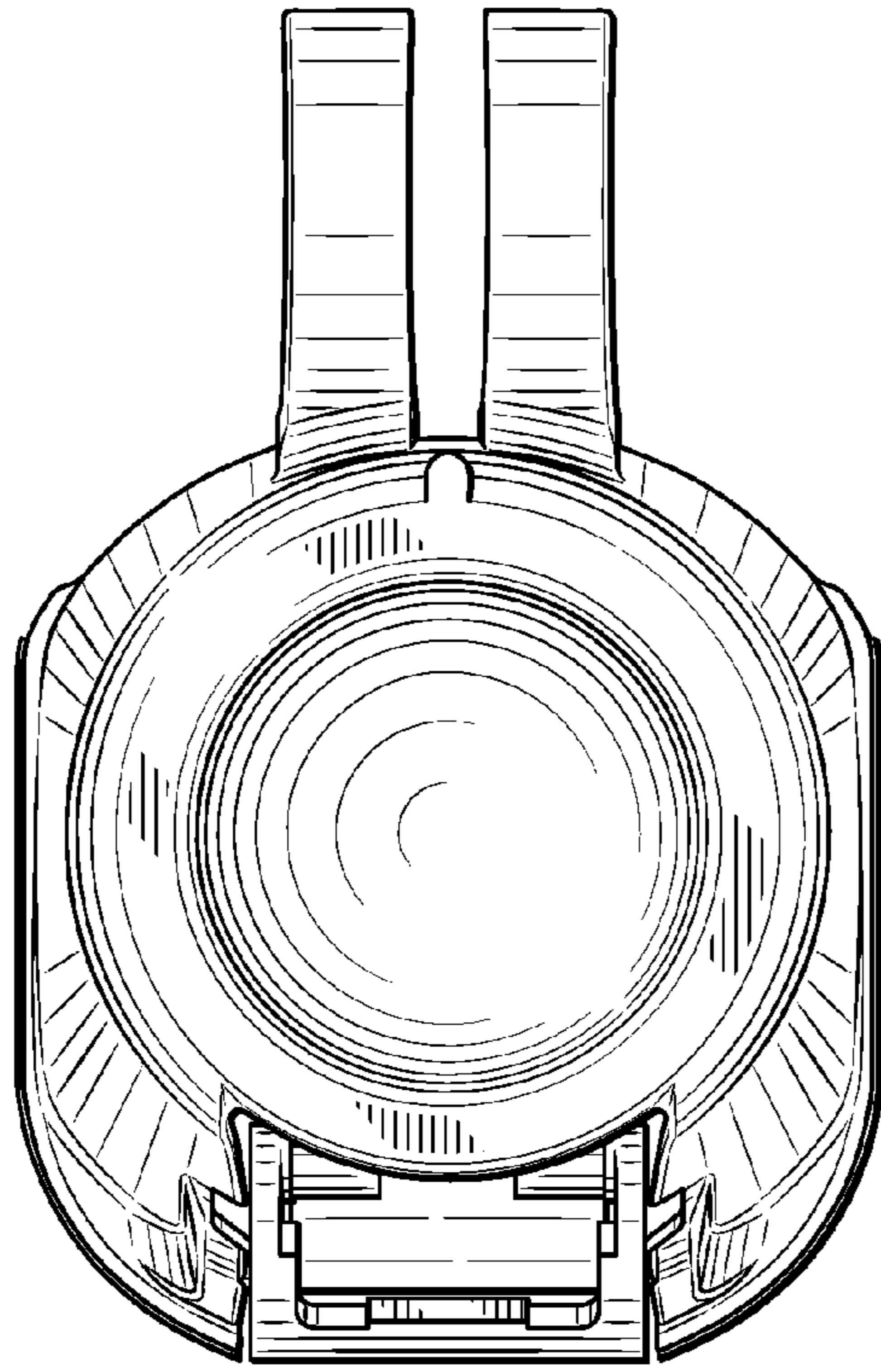


FIG. 7

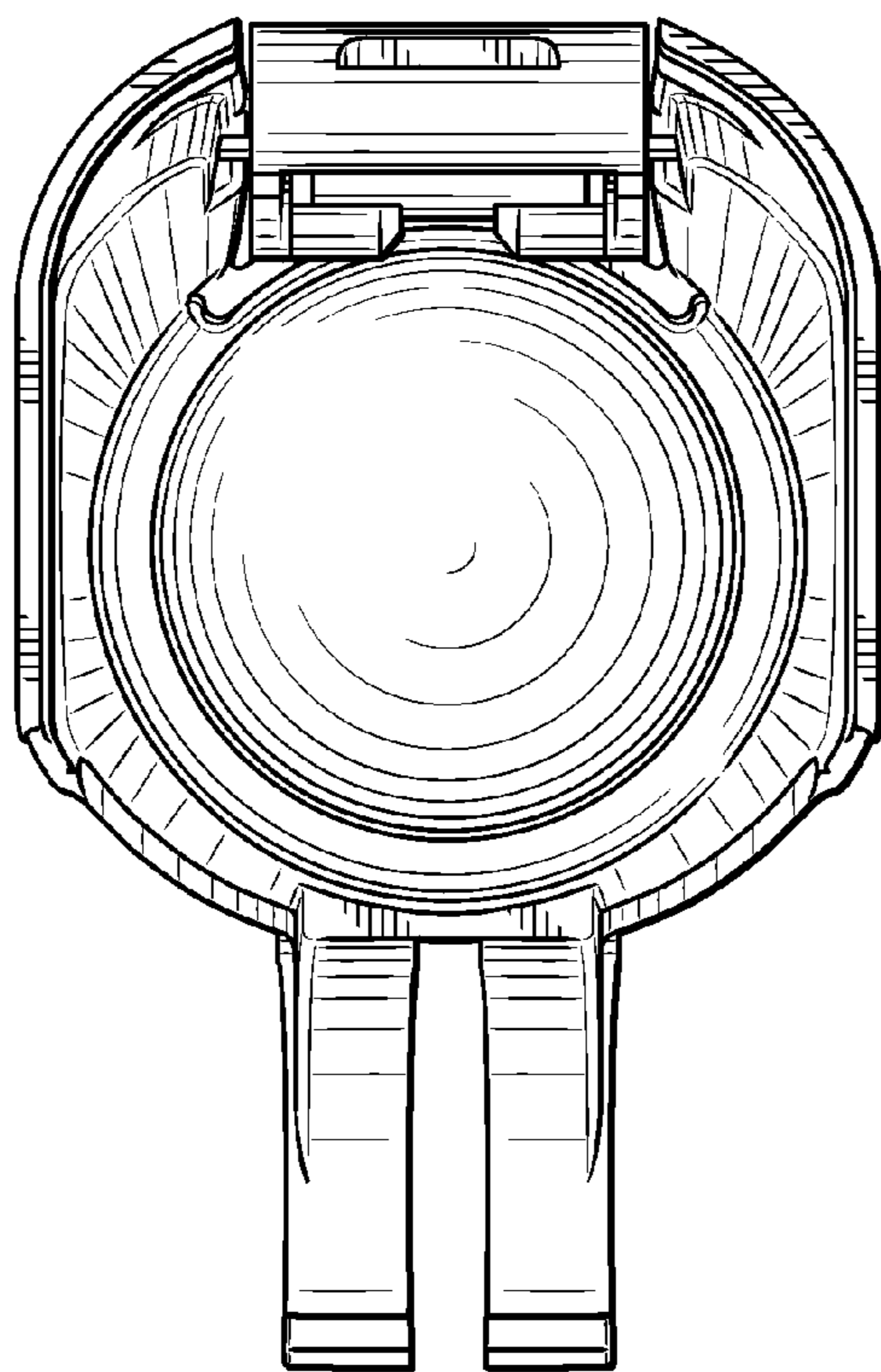


FIG. 8