

US00D570206S

(12) **United States Design Patent**  
**Jackson**

(10) **Patent No.:** **US D570,206 S**

(45) **Date of Patent:** **\*\* Jun. 3, 2008**

- (54) **STRAP**
- (75) Inventor: **Trevor Jackson**, Kirtland, OH (US)
- (73) Assignee: **Emerald Innovations, LLC**, Butler, PA (US)
- (\*\*) Term: **14 Years**
- (21) Appl. No.: **29/253,312**
- (22) Filed: **Feb. 3, 2006**
- (51) **LOC (8) Cl.** ..... **08-08**
- (52) **U.S. Cl.** ..... **D8/396**
- (58) **Field of Classification Search** ..... D8/354-356, D8/371, 376, 394-396, 382, 377, 380, 381; 24/16 R, 279, 278, 486, 489, 505, 275, 499, 24/518; 248/49, 62, 74.1-74.4, 73, 58, 72  
See application file for complete search history.

5,500,959 A	3/1996	Yewer, Jr.	
5,593,121 A	1/1997	Tackett	
5,732,915 A	3/1998	Heard	
5,740,591 A	4/1998	Hopkins	
5,966,865 A	10/1999	Jones	
6,065,722 A	5/2000	Le Vasseur et al.	
6,209,827 B1 *	4/2001	Kawai .....	248/73
6,581,891 B1	6/2003	Byrd	
6,588,440 B2	7/2003	Varnado	
6,636,679 B1 *	10/2003	Mereness .....	385/136
6,766,992 B1	7/2004	Parker	
6,862,861 B1	3/2005	Lin	
6,896,229 B1	5/2005	Westgate	
D508,872 S	8/2005	Hoepfner	
6,926,240 B2	8/2005	Goeller	
6,974,908 B2	12/2005	White	
6,991,204 B2	1/2006	Ay	

\* cited by examiner

*Primary Examiner*—Robert M. Spear  
*Assistant Examiner*—John Windmuller

(56) **References Cited**

**U.S. PATENT DOCUMENTS**

3,241,800 A	3/1966	Richter, III	
3,345,028 A	10/1967	Lawrie	
3,746,294 A	7/1973	Johnston	
3,785,604 A	1/1974	Steck	
4,325,529 A	4/1982	Seebinger	
4,609,171 A *	9/1986	Matsui .....	248/74.3
4,744,537 A	5/1988	Buckley	
4,932,576 A	6/1990	Ashley	
4,934,644 A	6/1990	Nagy et al.	
5,117,779 A	6/1992	Karow	
D333,640 S	3/1993	Keller	
5,245,516 A	9/1993	de Haas et al.	
5,263,675 A	11/1993	Roberts et al.	
5,277,390 A	1/1994	Olson et al.	
D344,967 S	3/1994	Webster	
5,301,911 A	4/1994	Beauchemin	
5,310,151 A	5/1994	Engel	

(57) **CLAIM**

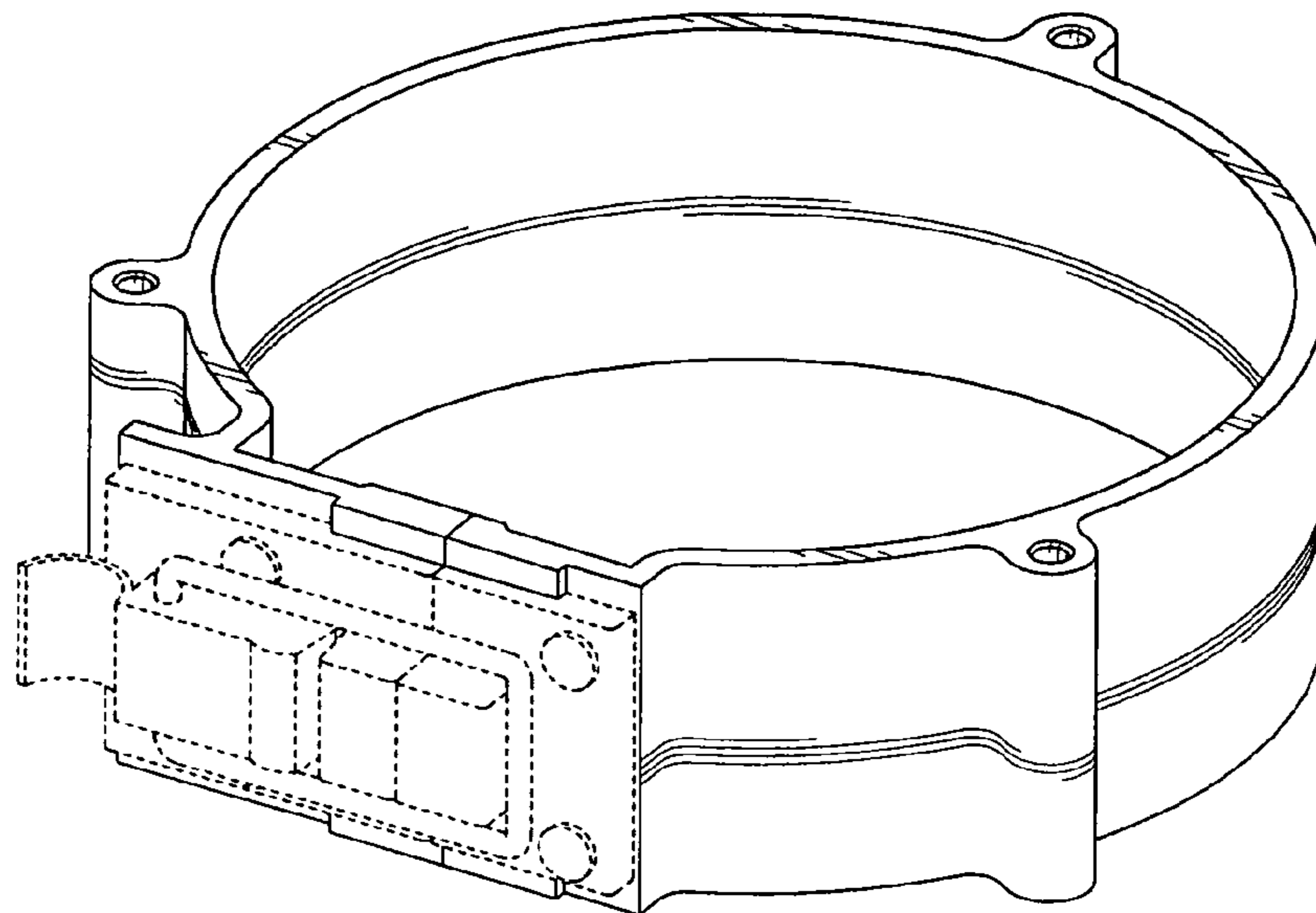
The ornamental design for a strap, as shown and described.

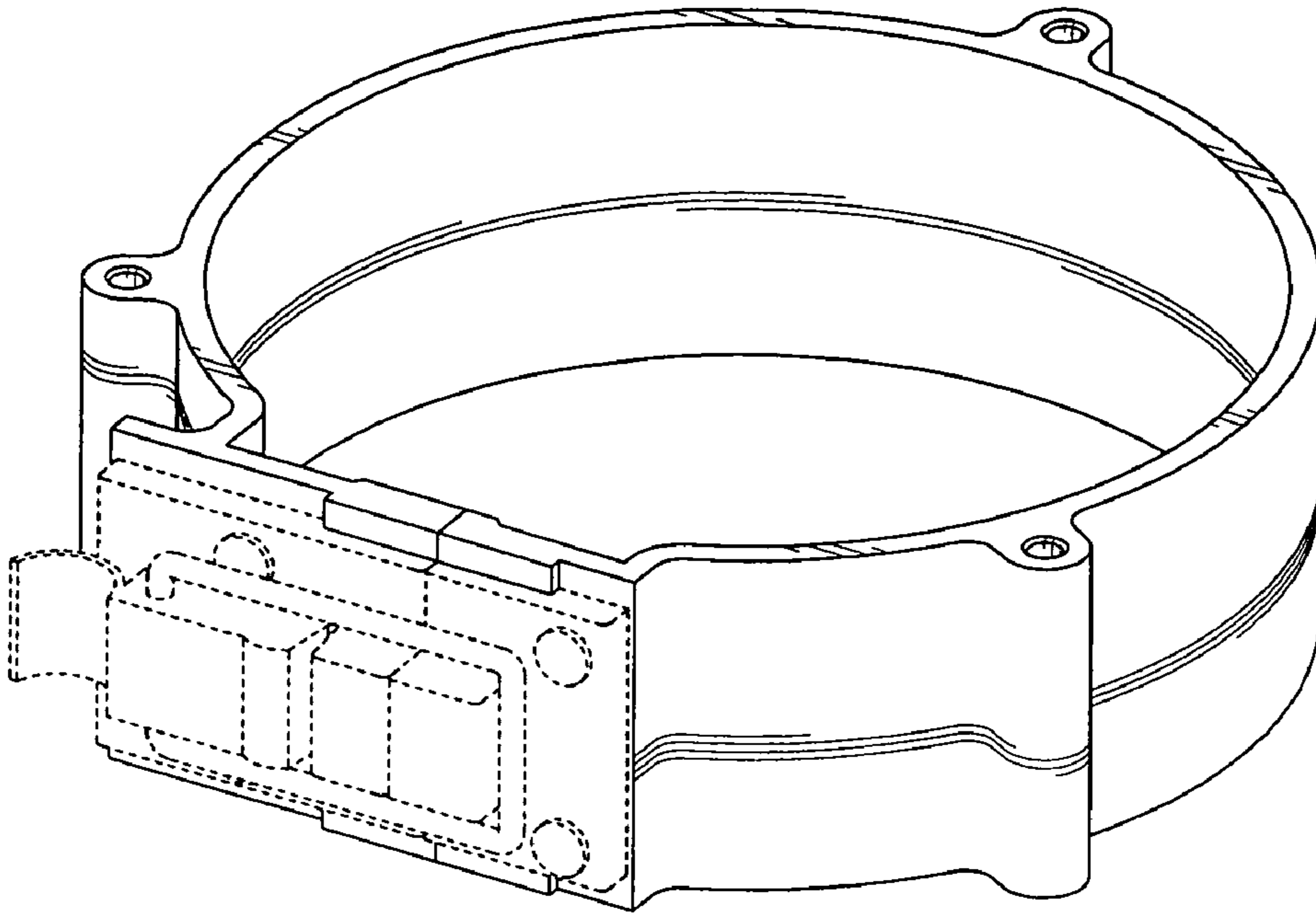
**DESCRIPTION**

FIG. 1 is a perspective view of a strap of the new design; FIG. 2 is a front elevational view of the strap of FIG. 1; FIG. 3 is a rear elevational view of the strap of FIG. 1; FIG. 4 is a left side elevational view of the strap of FIG. 1; FIG. 5 is a right side elevational view of the strap of FIG. 1; FIG. 6 is a top plan view of the strap of FIG. 1; and, FIG. 7 is a bottom plan view of the strap of FIG. 1.

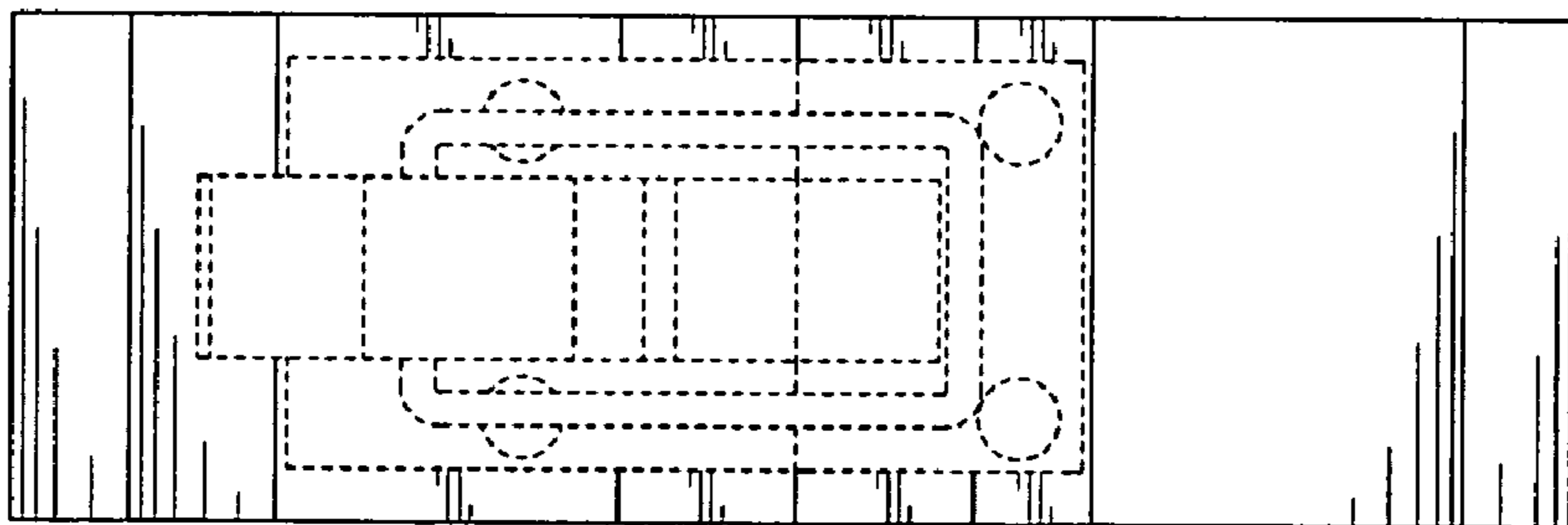
The portions of the Figures shown in broken lines are not part of the claimed design and are for illustration only.

**1 Claim, 3 Drawing Sheets**

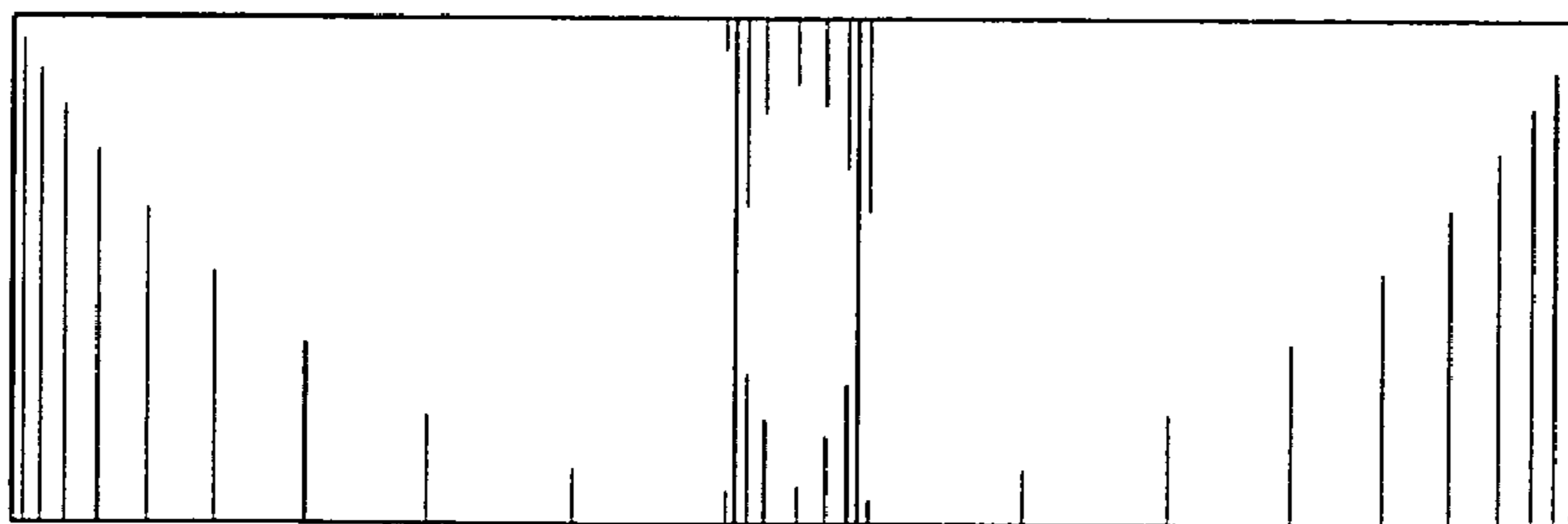




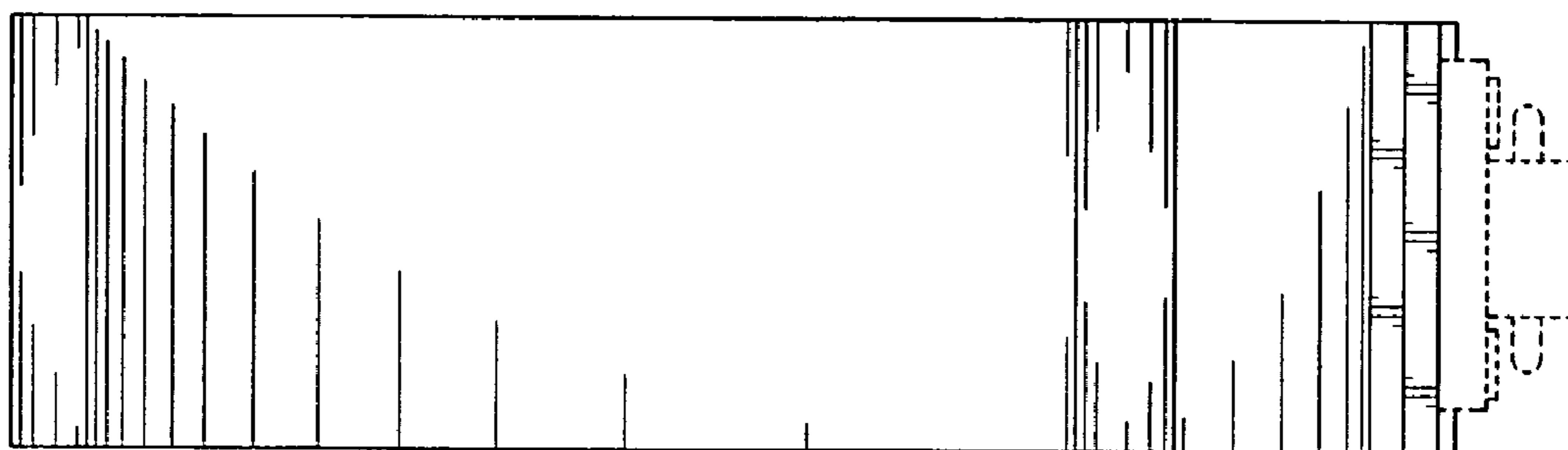
**FIG. 1**



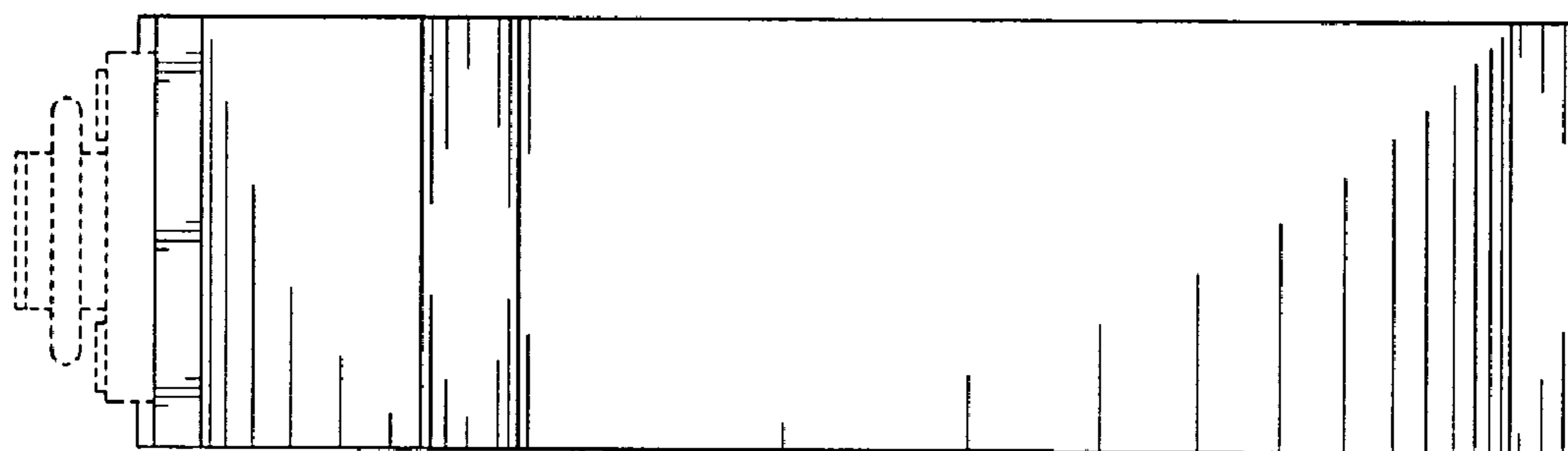
**FIG. 2**



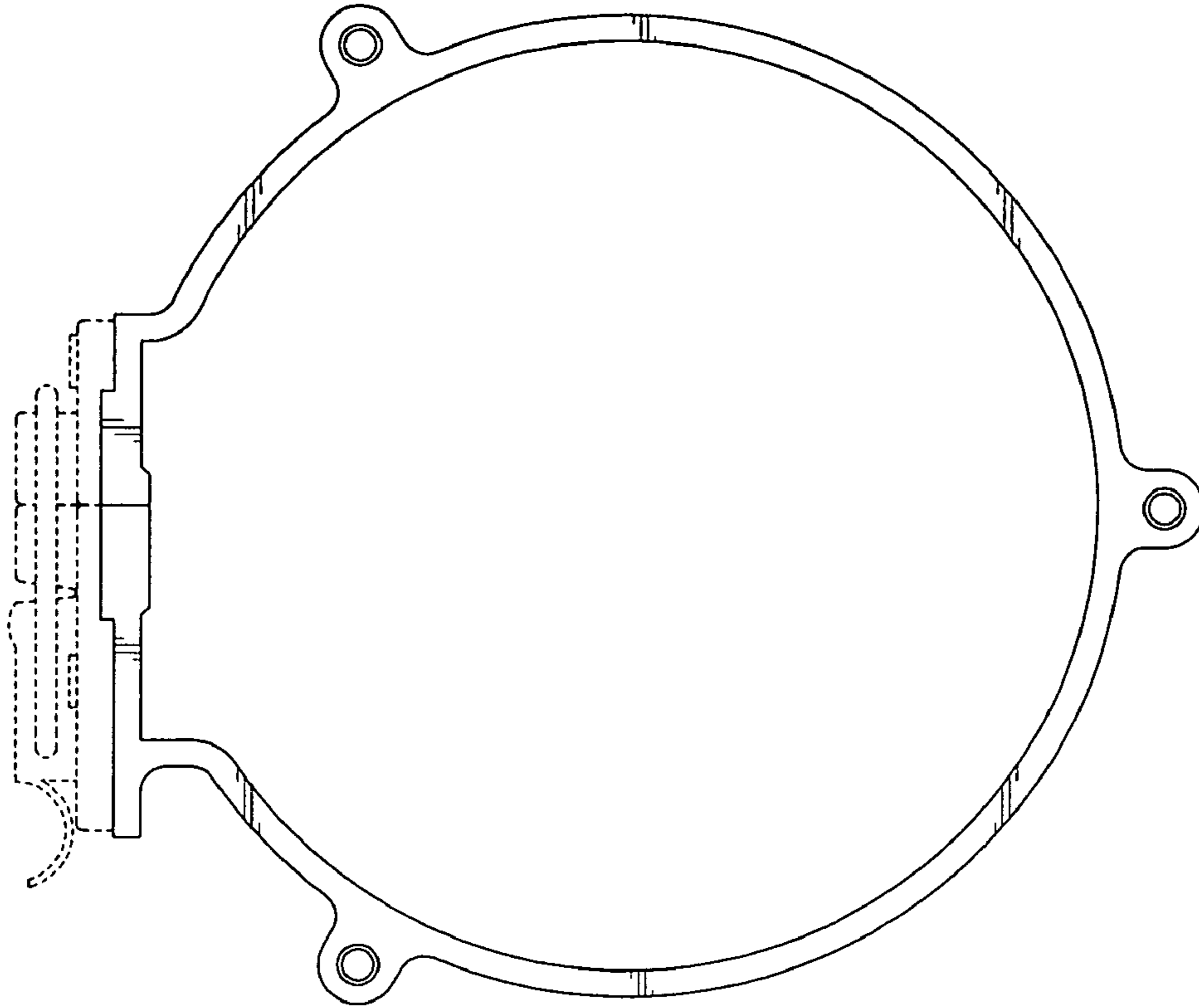
**FIG. 3**



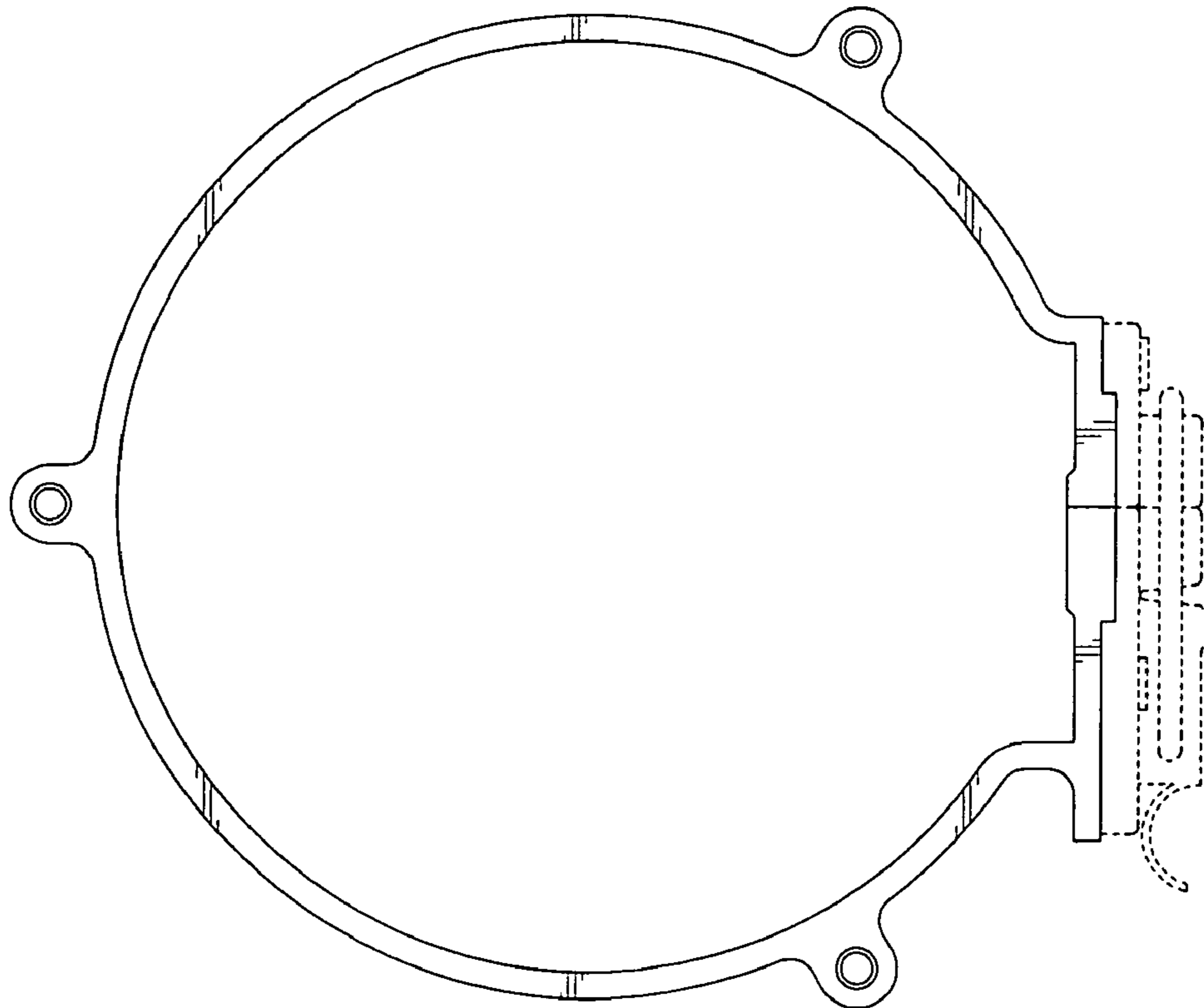
**FIG. 4**



**FIG. 5**



**FIG. 7**



**FIG. 6**