

US00D570201S

(12) **United States Design Patent** (10) **Patent No.:** **US D570,201 S**
Decker et al. (45) **Date of Patent:** **** Jun. 3, 2008**

(54) **CONTAINER MOUNTING BRACKET**

(75) Inventors: **Kip K. Decker**, Neenah, WI (US);
Todd R. Lappi, Atlanta, GA (US);
Randall Stark, Oshkosh, WI (US)

(73) Assignee: **Georgia-Pacific Consumer Products LP**, Atlanta, GA (US)

(**) Term: **14 Years**

(21) Appl. No.: **29/284,760**

(22) Filed: **Sep. 14, 2007**

(51) **LOC (8) Cl.** **08-05**

(52) **U.S. Cl.** **D8/380**

(58) **Field of Classification Search** D8/381,
D8/380, 371, 370, 366, 354; 47/40; 248/313,
248/274.1, 27.8, 231.41, 228.3, 220.41, 220.31,
248/208, 311.2, 217.1, 302, 153; D12/317;
D30/121, 119

See application file for complete search history.

(56) **References Cited**

U.S. PATENT DOCUMENTS

1,137,583 A	4/1915	Cox	
1,584,857 A	5/1926	Hobbs	
D118,124 S *	12/1939	MacLean	D30/121
2,279,442 A	4/1942	Burns et al.	
2,294,151 A	8/1942	Wooten	
2,681,164 A	6/1954	Kalfen	
2,747,825 A	5/1956	Lachenmayer	
2,883,139 A	4/1959	Dobkin	
3,168,275 A	2/1965	Grondin	
3,204,903 A	9/1965	Stoddard	
3,258,238 A	6/1966	Grafton	
3,288,416 A	11/1966	Franklin	
D217,472 S	5/1970	Lovitz	
3,921,948 A	11/1975	Long	
D251,579 S	4/1979	Calgaro	
4,267,997 A *	5/1981	Meier	248/153
4,290,529 A *	9/1981	Jones et al.	248/311.2
4,324,381 A	4/1982	Morris	

D282,323 S	1/1986	Fetty	
4,601,938 A	7/1986	Deacon et al.	
5,074,506 A	12/1991	Larsen	
5,673,835 A	10/1997	Kalat	
D409,338 S *	5/1999	Gallardo	D30/119
6,065,727 A *	5/2000	Fitzgerald et al.	248/302
6,158,614 A	12/2000	Haines et al.	
6,354,462 B1	3/2002	Conran et al.	
D465,449 S	11/2002	Lindholm	
6,474,610 B1	11/2002	Hsieh	
6,488,246 B2 *	12/2002	Song	248/302
6,572,063 B1	6/2003	Gitelman et al.	
7,004,435 B2	2/2006	Formon	
2003/0019974 A1	1/2003	Faulks et al.	

* cited by examiner

Primary Examiner—Gary D. Watson

Assistant Examiner—Susan B Hattan

(74) *Attorney, Agent, or Firm*—Joel T. Charlton

(57) **CLAIM**

The ornamental design for a container mounting bracket, as shown and described.

DESCRIPTION

FIG. 1 is a front top perspective view of the container mounting bracket including broken lines, which are used in the present drawing and throughout the drawings to represent environment and which form no part of the claimed design;

FIG. 2 is a front top perspective view of the container mounting bracket, with a container disposed therein to show environment;

FIG. 3 is a top view of the container mounting bracket;

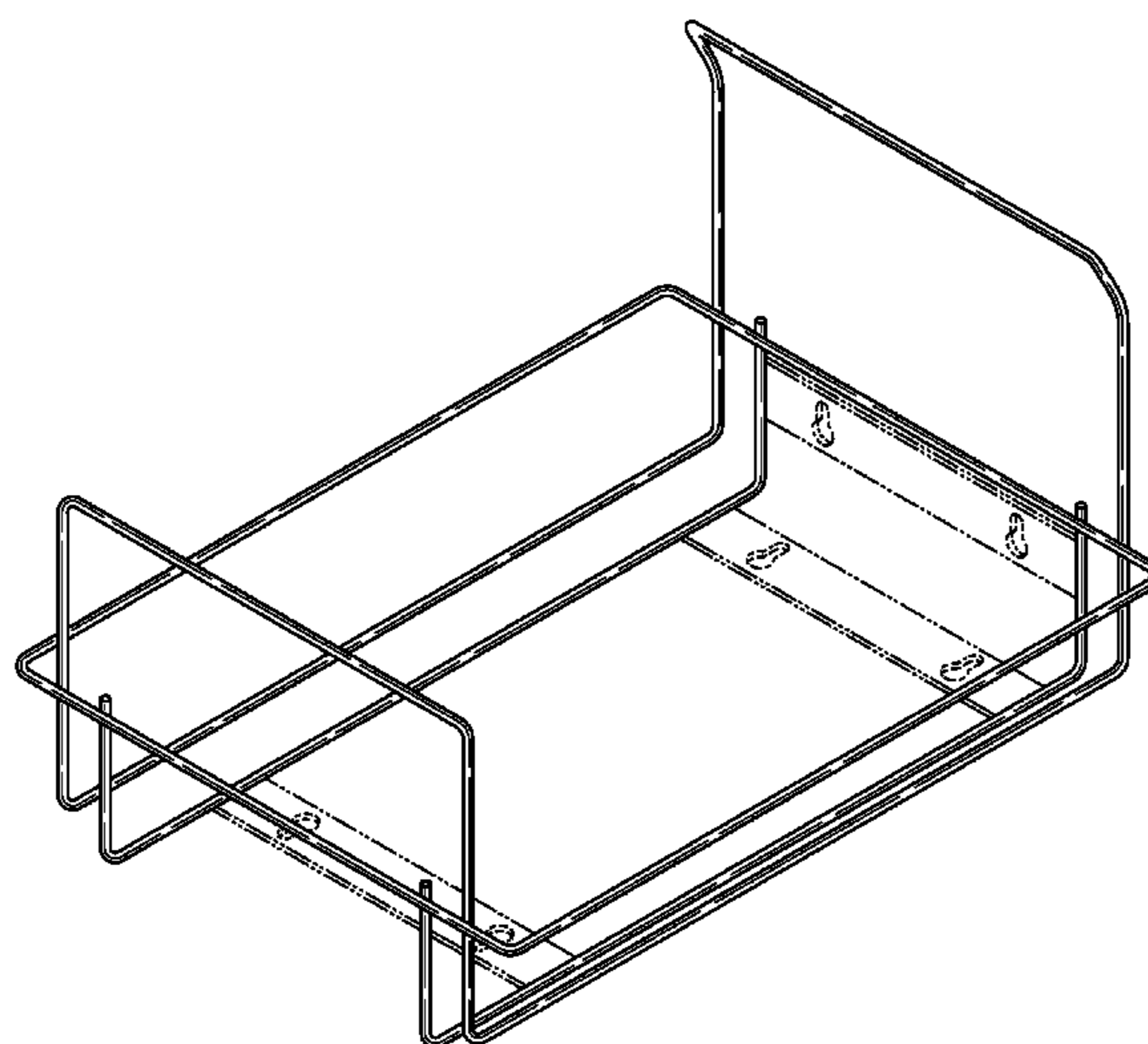
FIG. 4 is a front view of the container mounting bracket;

FIG. 5 is a back view of the container mounting bracket;

FIG. 6 is a right side view of the container mounting bracket, with left side being a mirror thereof, and,

FIG. 7 is a bottom view of the container mounting bracket.

1 Claim, 7 Drawing Sheets



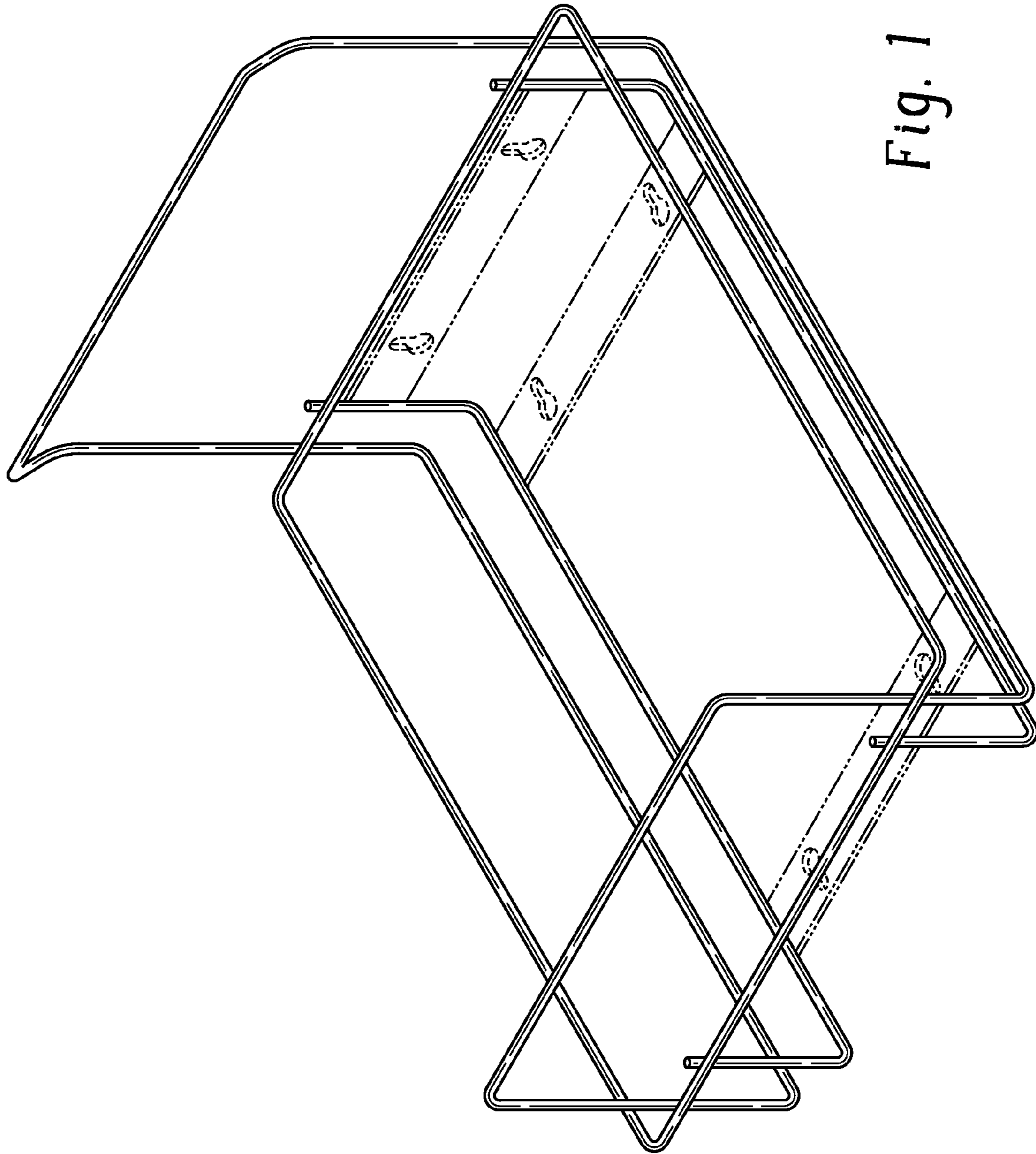


Fig. 1

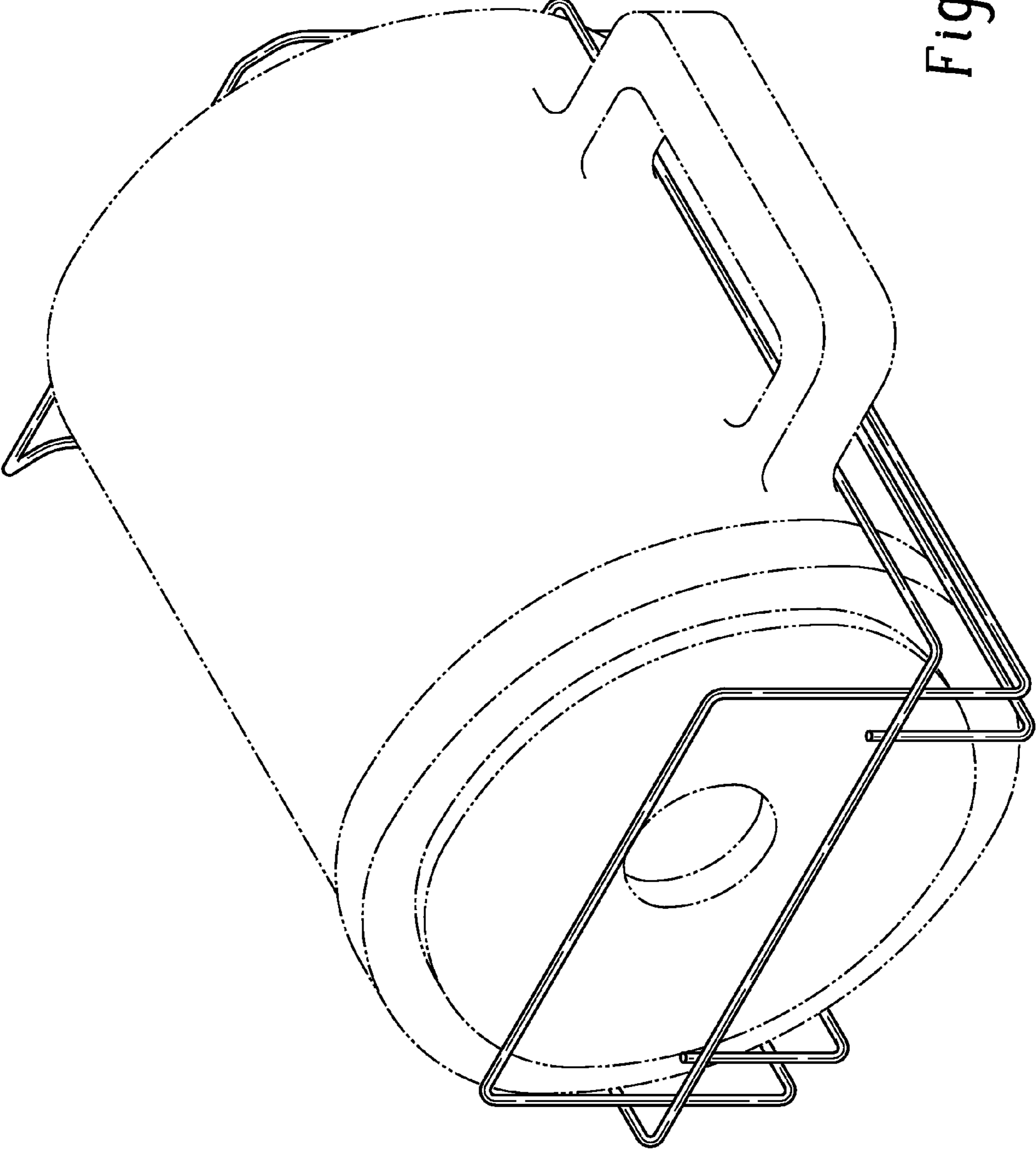


Fig. 2

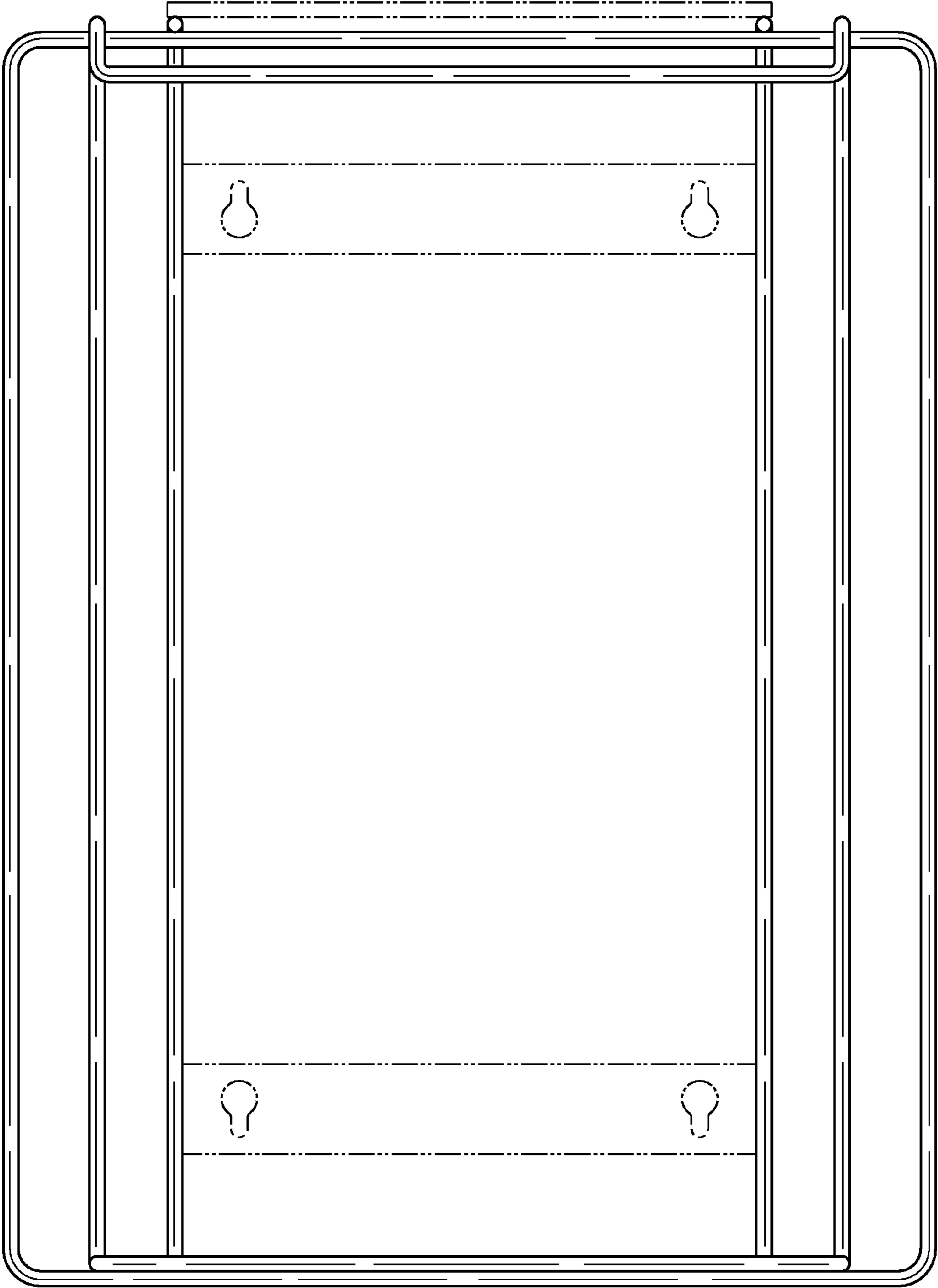


Fig. 3

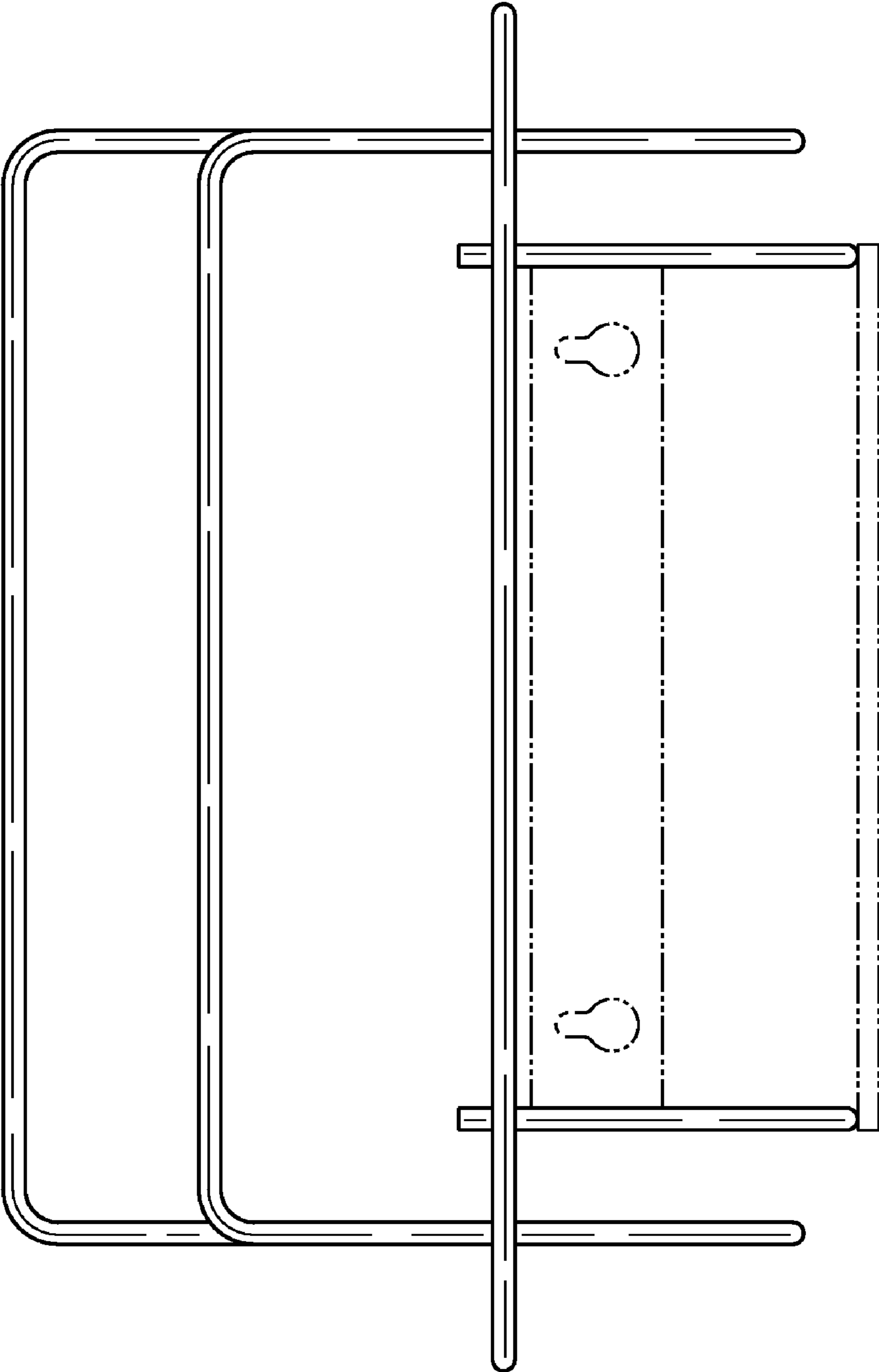


Fig. 4

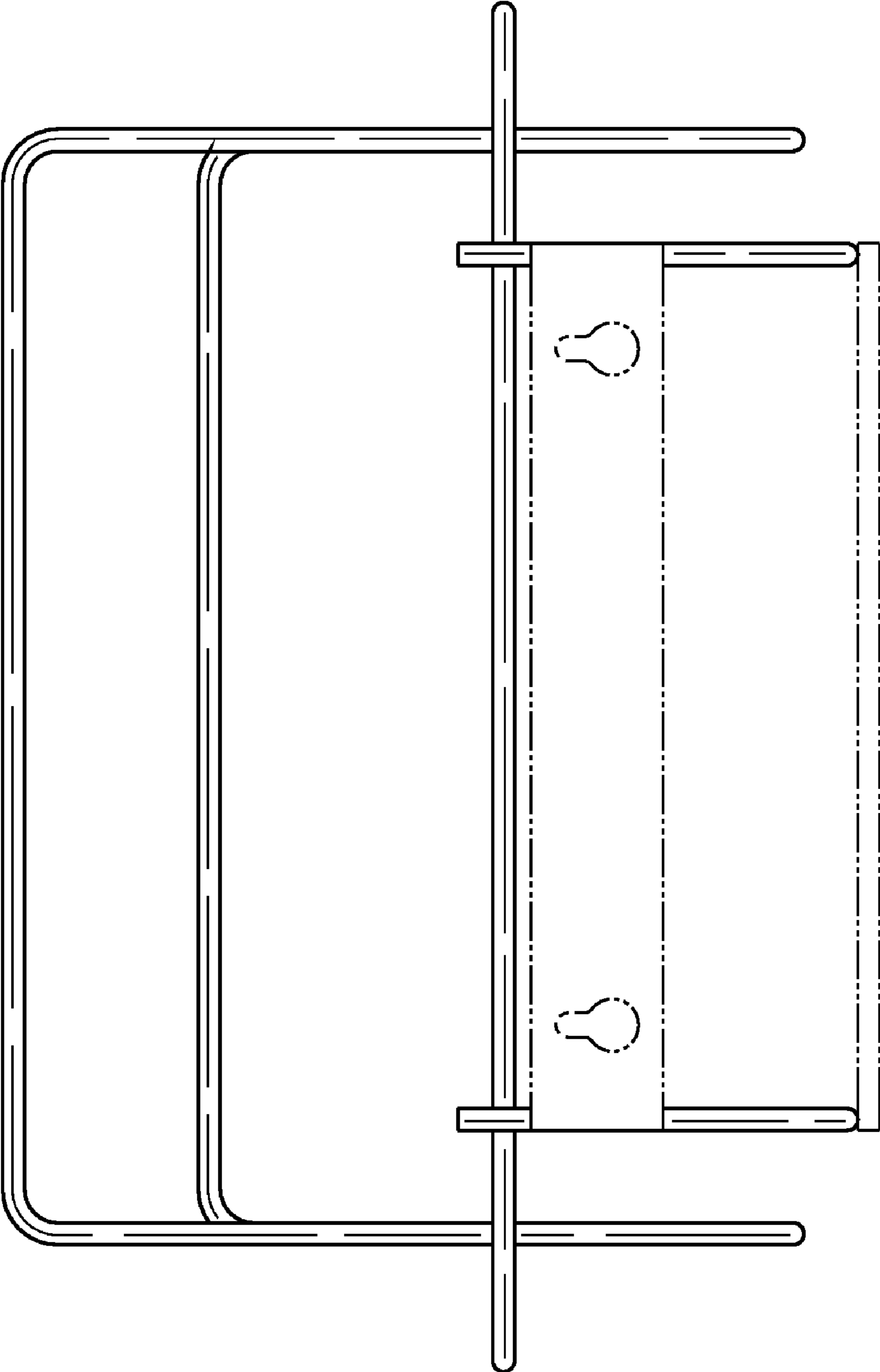


Fig. 5

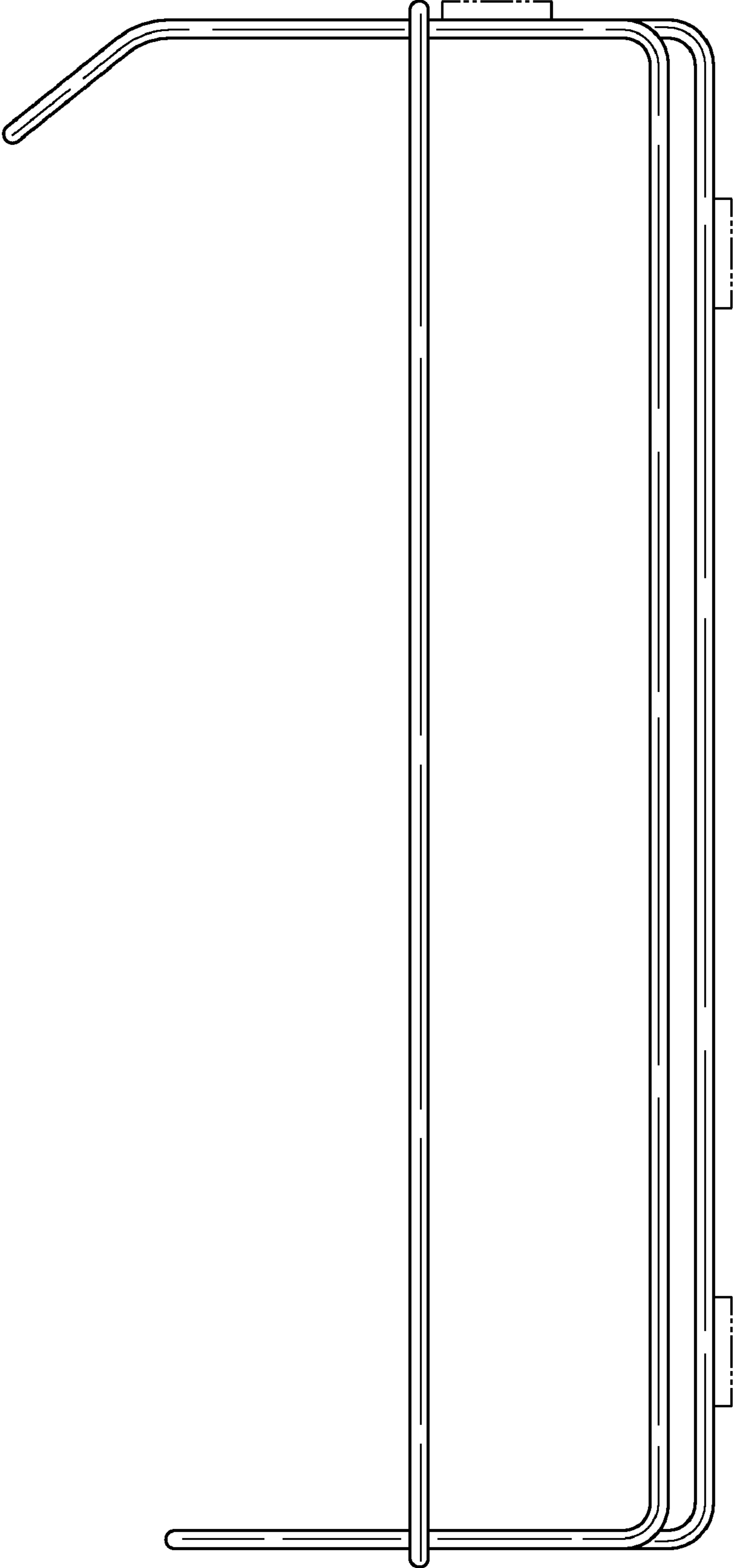


Fig. 6

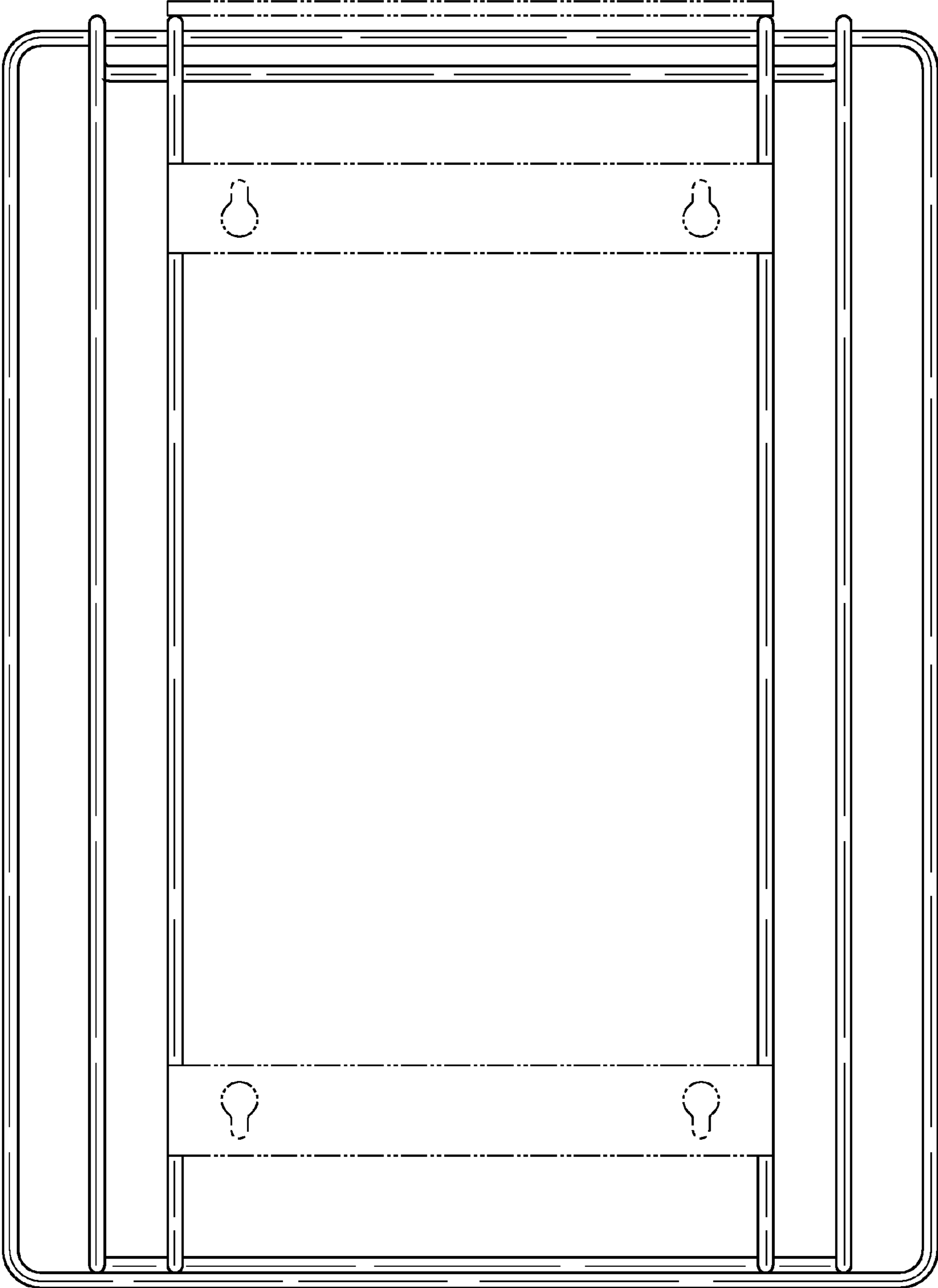


Fig. 7