



US00D570200S

(12) **United States Design Patent**
Jen

(10) **Patent No.:** **US D570,200 S**
(45) **Date of Patent:** **** Jun. 3, 2008**

(54) **CASTER**

(57) **CLAIM**

(76) **Inventor:** **Hsu Der Jen**, 66 Garden Rd., Zhangpu Town, Kunshan City, Jiangsu Province (CN)

The ornamental design for a caster, as shown and described.

(**) **Term:** **14 Years**

DESCRIPTION

(21) **Appl. No.:** **29/278,476**

FIG. 1 is a perspective view of a caster according to the invention, with the peg, axle and screw nut shown in broken lines being for illustration purposes only and forming no part of the claimed design;

(22) **Filed:** **Mar. 30, 2007**

FIG. 2 is a rear elevational view of a caster according to the invention with the peg, axle and screw nut shown in broken lines being for illustration purposes only and forming no part of the claimed design;

(51) **LOC (8) Cl.** **08-05**

(52) **U.S. Cl.** **D8/375**

(58) **Field of Classification Search** D8/375;
D34/27; D3/318; D12/501, 209, 208, 207;
188/1.12; 16/47, 46, 45, 35 R, 35 D, 31 R,
16/29, 22, 18 R, 18 CG

FIG. 3 is a front elevational view of a caster according to the invention with the peg, axle and screw nut shown in broken lines being for illustration purposes only and forming no part of the claimed design;

See application file for complete search history.

FIG. 4 is a right side elevational view of a caster according to the invention with the peg, axle and screw nut shown in broken lines being for illustration purposes only and forming no part of the claimed design;

(56) **References Cited**

U.S. PATENT DOCUMENTS

- D343,787 S * 2/1994 Finkeldey et al. D8/375
- D349,043 S * 7/1994 Carlson et al. D8/375
- D498,053 S * 11/2004 Nordstrom et al. D3/318

FIG. 5 is a left side elevational view of a caster according to the invention with the peg, axle and screw nut shown in broken lines being for illustration purposes only and forming no part of the claimed design;

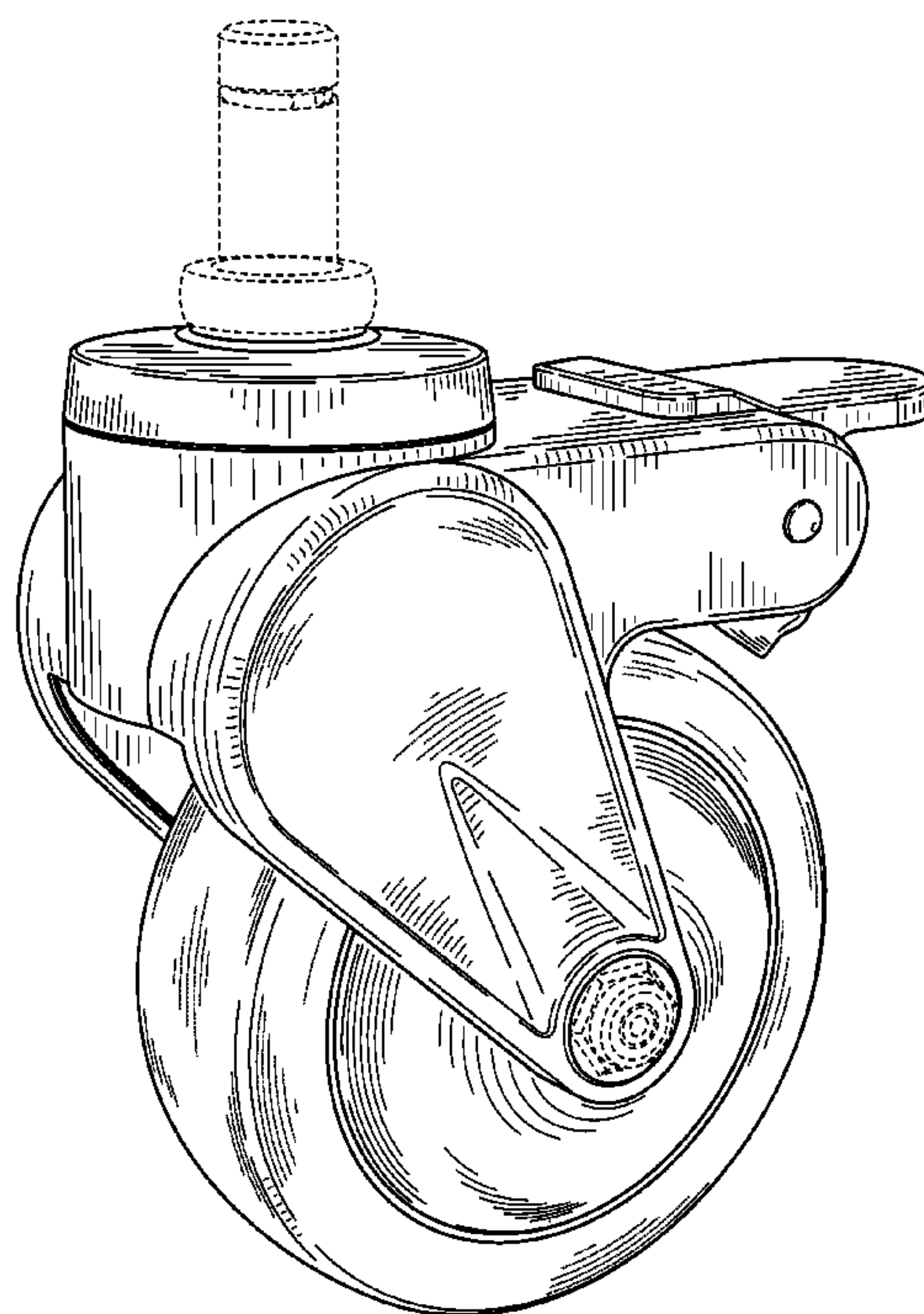
* cited by examiner

FIG. 6 is a top plan view of a caster according to the invention with the peg, axle and screw nut shown in broken lines being for illustration purposes only and forming no part of the claimed design; and,

Primary Examiner—Gary D. Watson
Assistant Examiner—Susan B Hattan
(74) *Attorney, Agent, or Firm*—Welsh & Katz, Ltd.

FIG. 7 is a bottom plan view of a caster according to the invention.

1 Claim, 6 Drawing Sheets



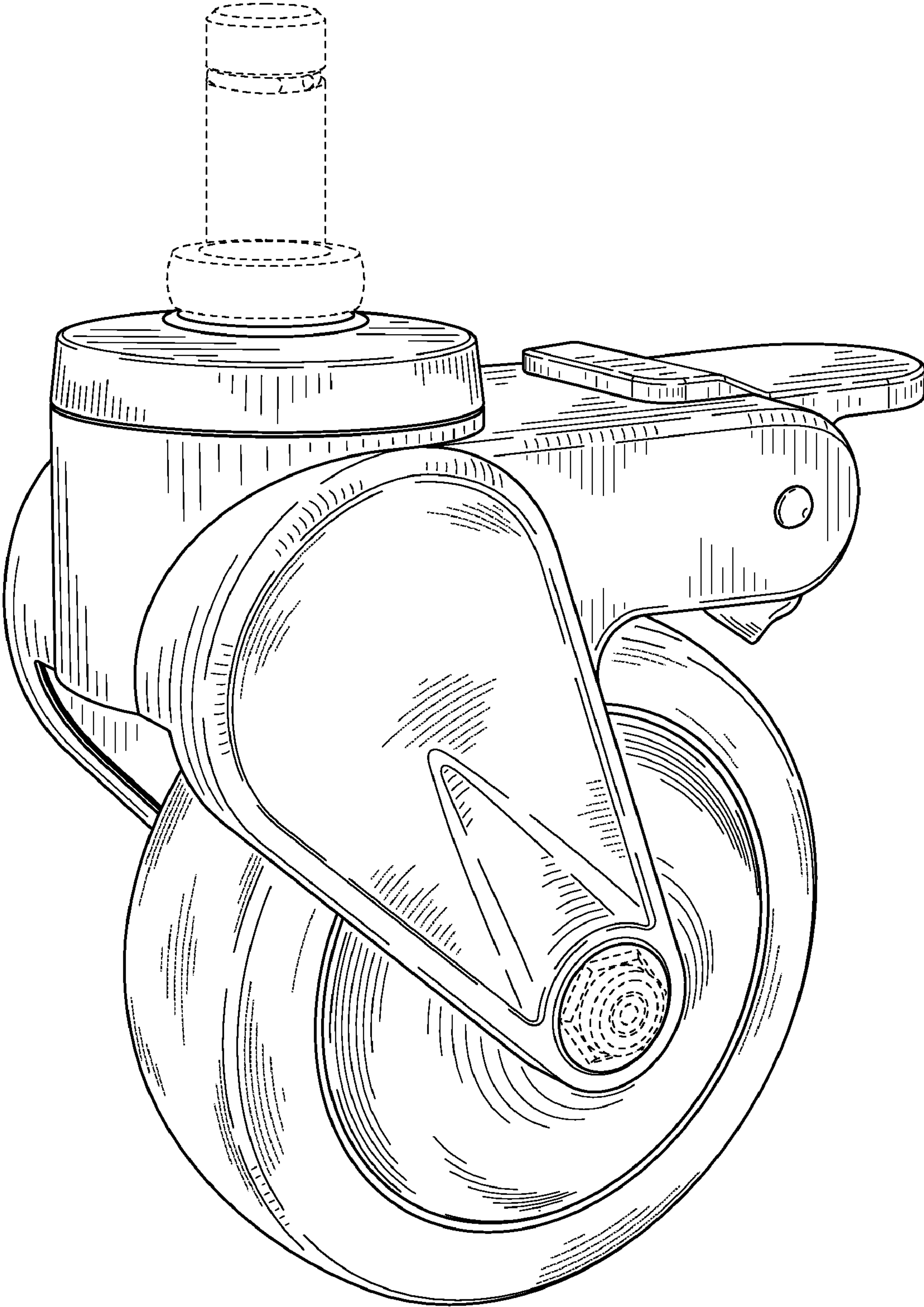


FIG. 1

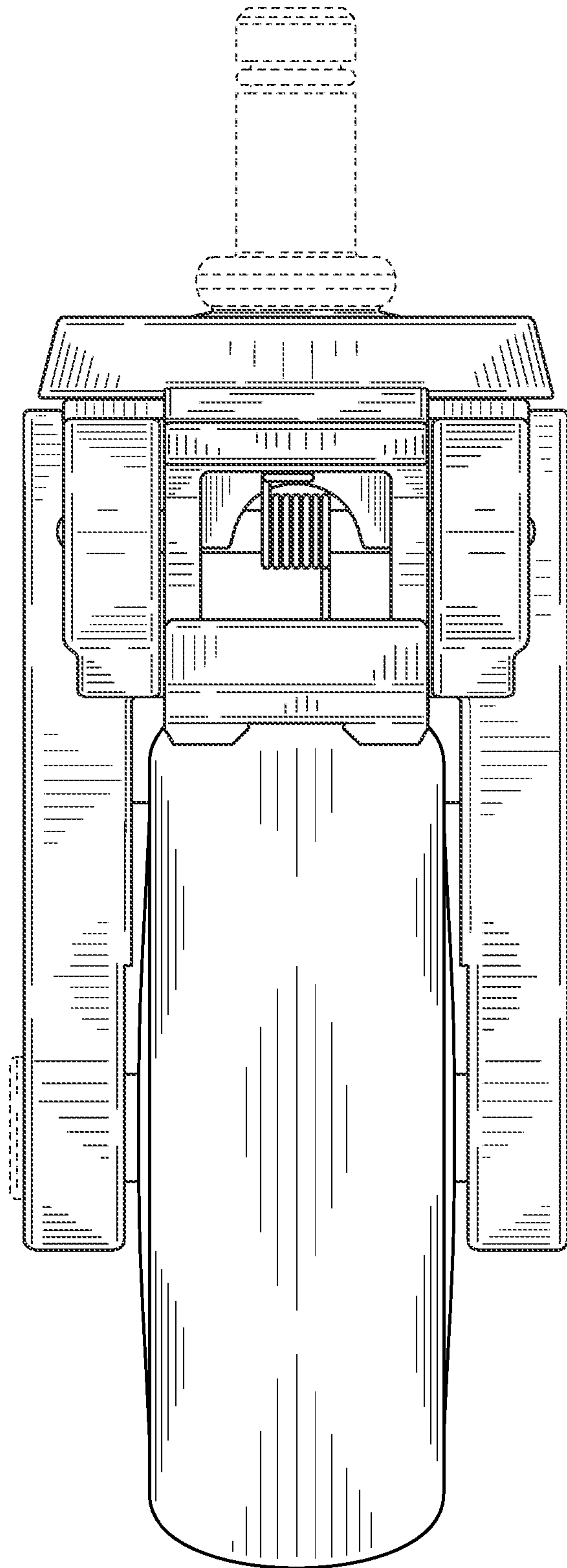


FIG. 2

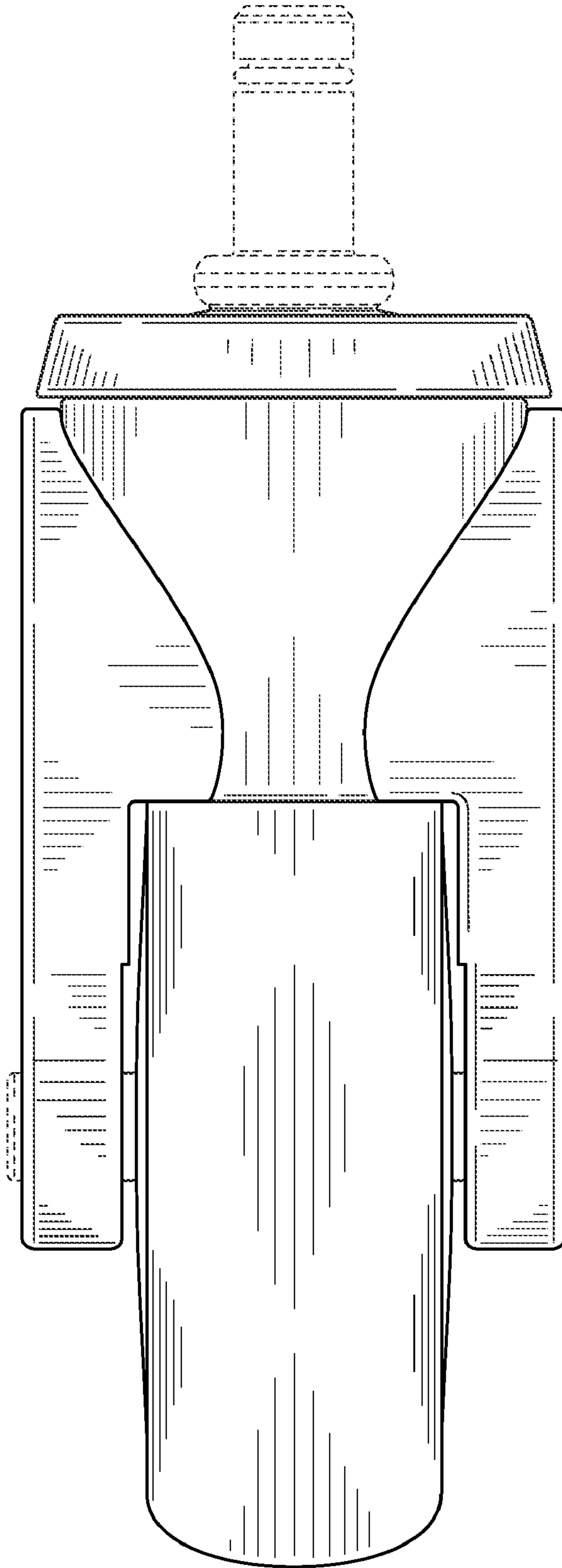


FIG. 3

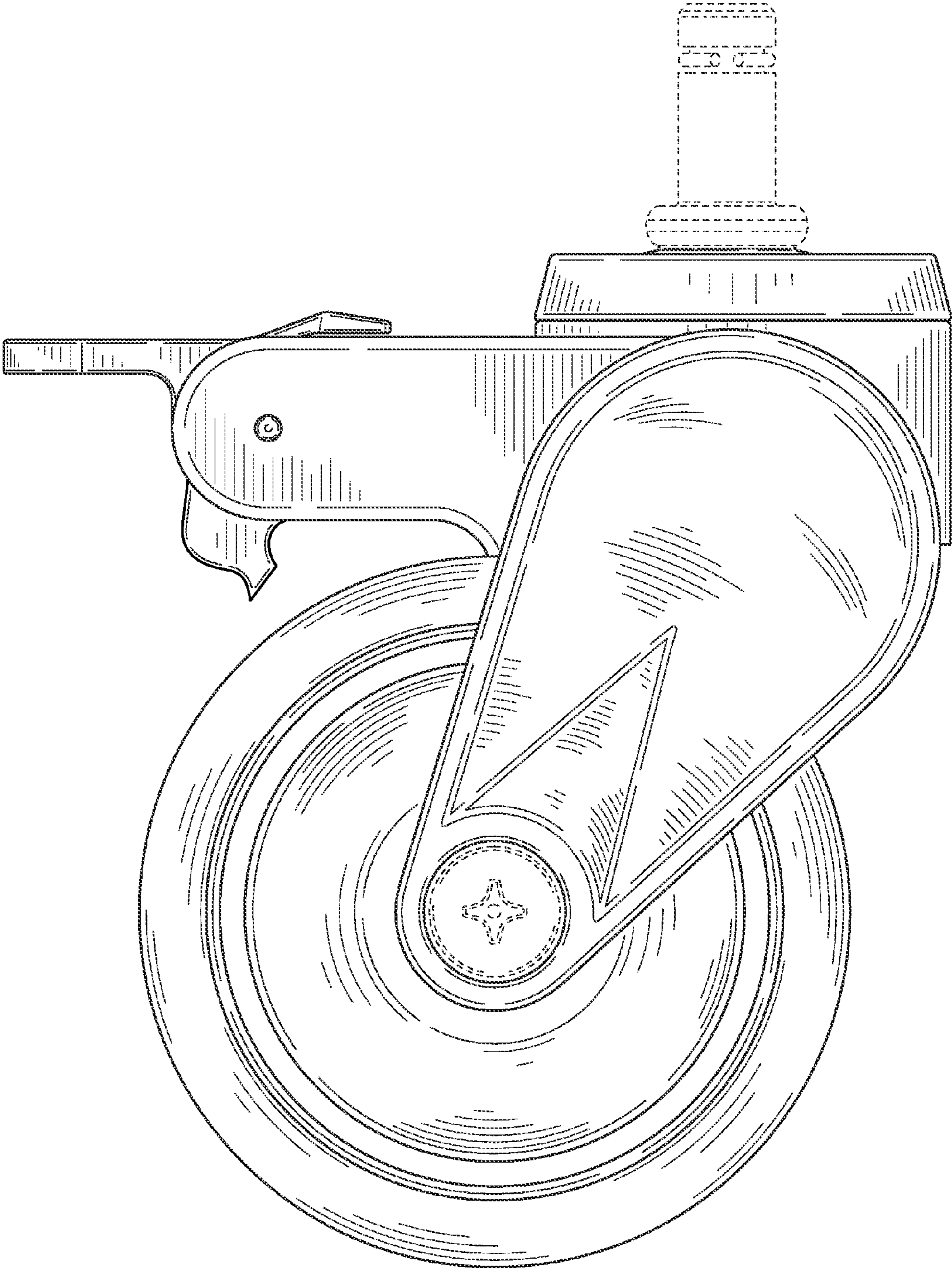


FIG. 4

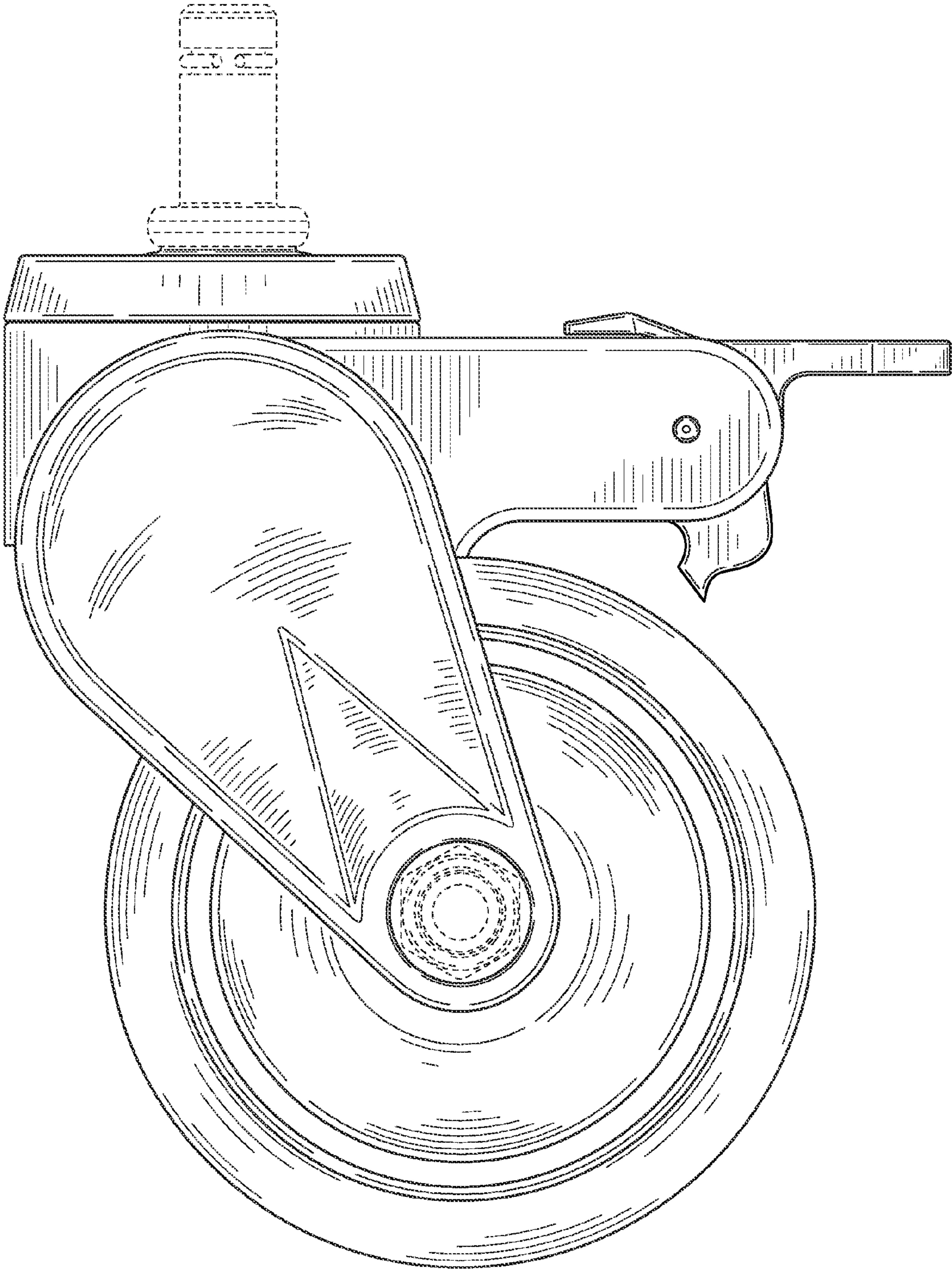


FIG. 5

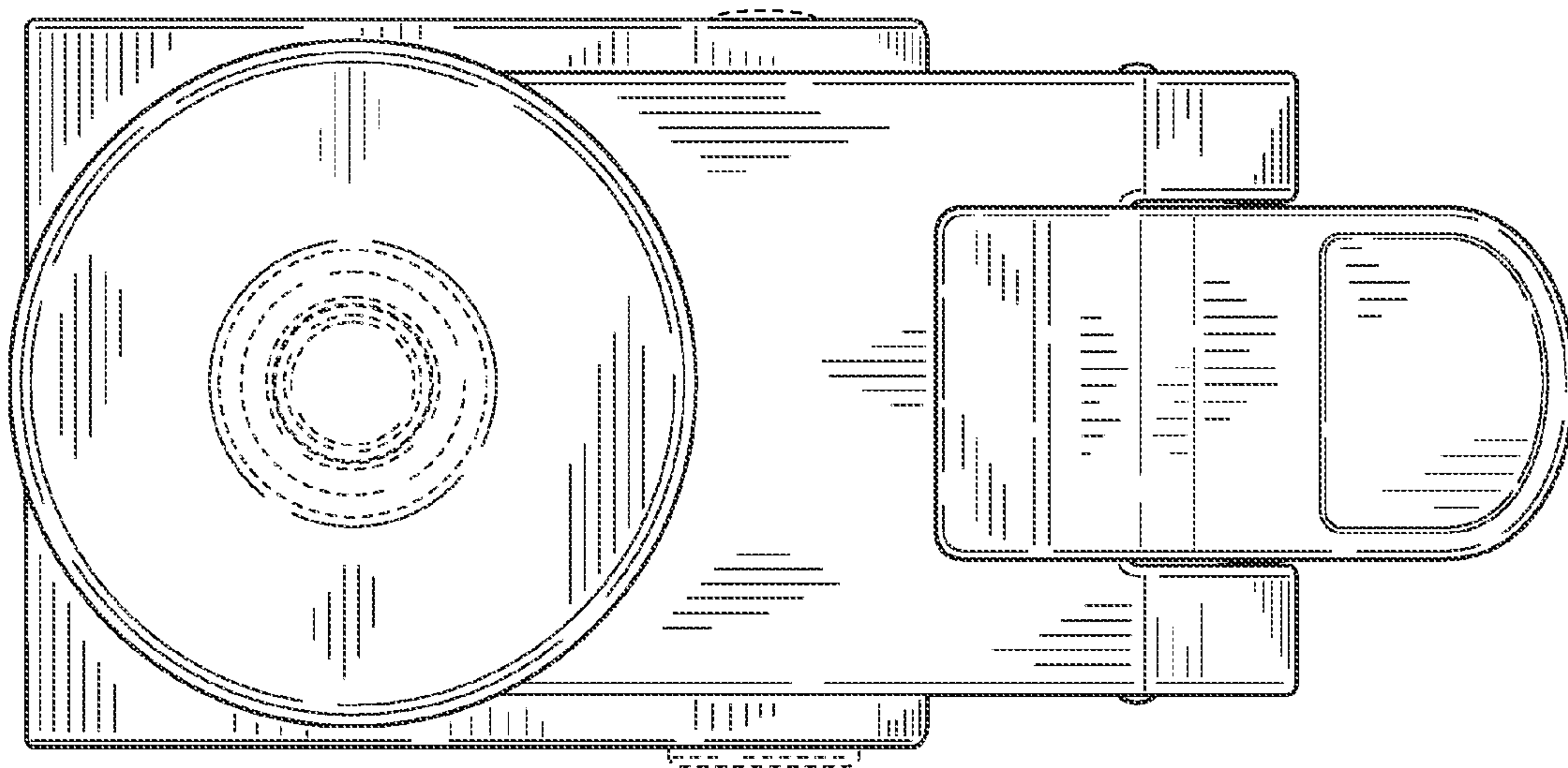


FIG. 6

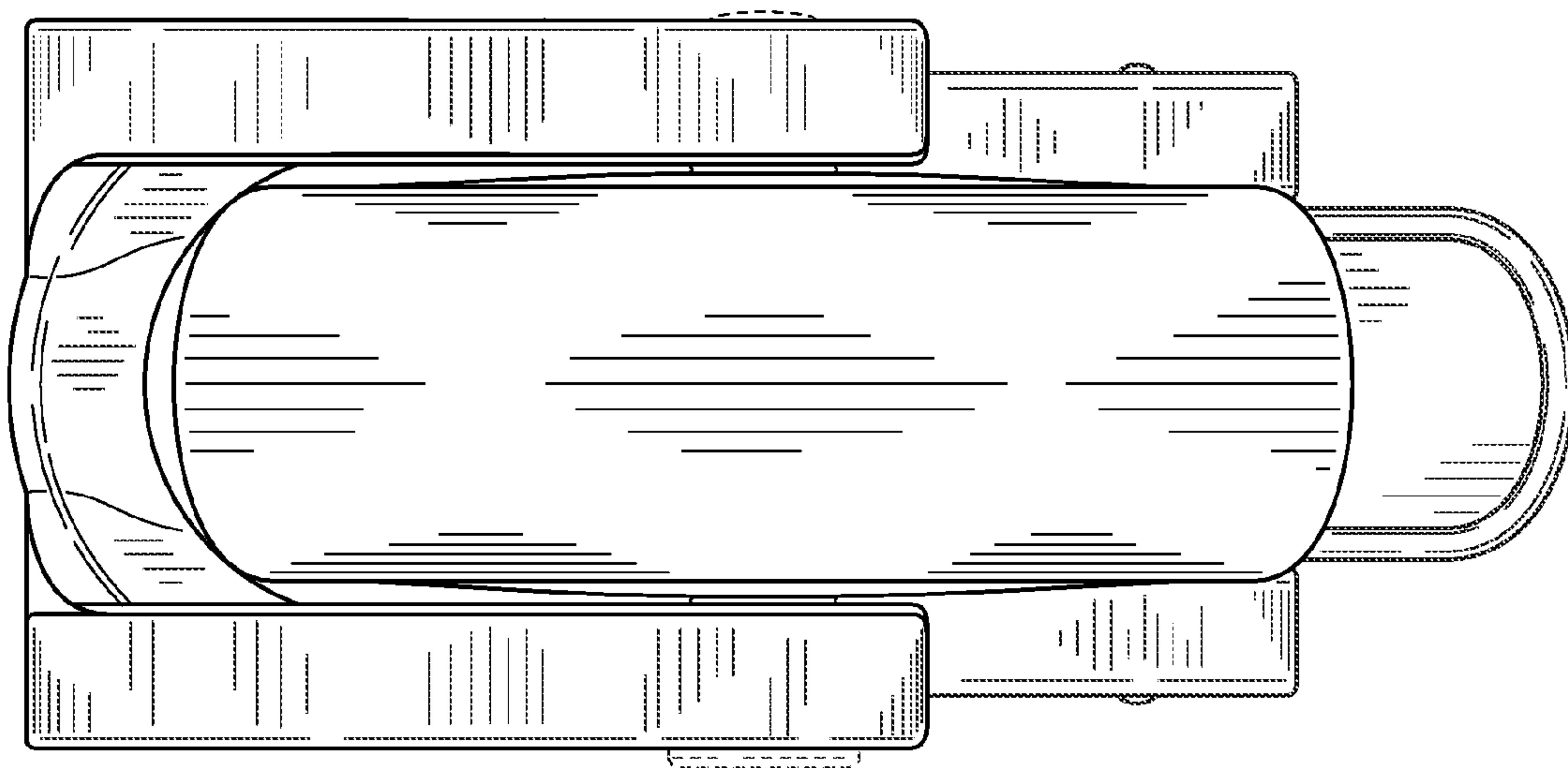


FIG. 7