

US00D570194S

(12) **United States Design Patent**
Schlatter

(10) **Patent No.:** **US D570,194 S**

(45) **Date of Patent:** **** Jun. 3, 2008**

(54) **LUGGAGE LOCK**

D518,356 S * 4/2006 Niewiadomsk D8/331
D518,703 S * 4/2006 Niewiadomsk D8/331

(76) Inventor: **Pius H. Schlatter**, Reinertstrasse 13,
CH-4515 Oberdorf (CH)

* cited by examiner

(**) Term: **14 Years**

Primary Examiner—Stella M. Reid

Assistant Examiner—Shanda C. Hill

(21) Appl. No.: **29/288,315**

(74) *Attorney, Agent, or Firm*—Myron Amer, P.C.

(22) Filed: **Jun. 7, 2007**

(57) **CLAIM**

(51) **LOC (8) Cl.** **08-07**

The ornamental design for a luggage lock, as shown and described.

(52) **U.S. Cl.** **D8/331**

(58) **Field of Classification Search** D8/301,
D8/302, 330, 331, 341, 343, 344, 345, 346,
D8/349; 70/288, 306, 312, 316; 292/DIG. 26,
292/DIG. 42, DIG. 48, DIG. 49
See application file for complete search history.

DESCRIPTION

FIG. 1 is a perspective view of a luggage lock showing my new design;

FIG. 2 is a front view thereof;

FIG. 3 is a rear view thereof;

FIG. 4 is a top view thereof;

FIG. 5 is a left side view thereof, of which the right side is a mirror image thereof; and,

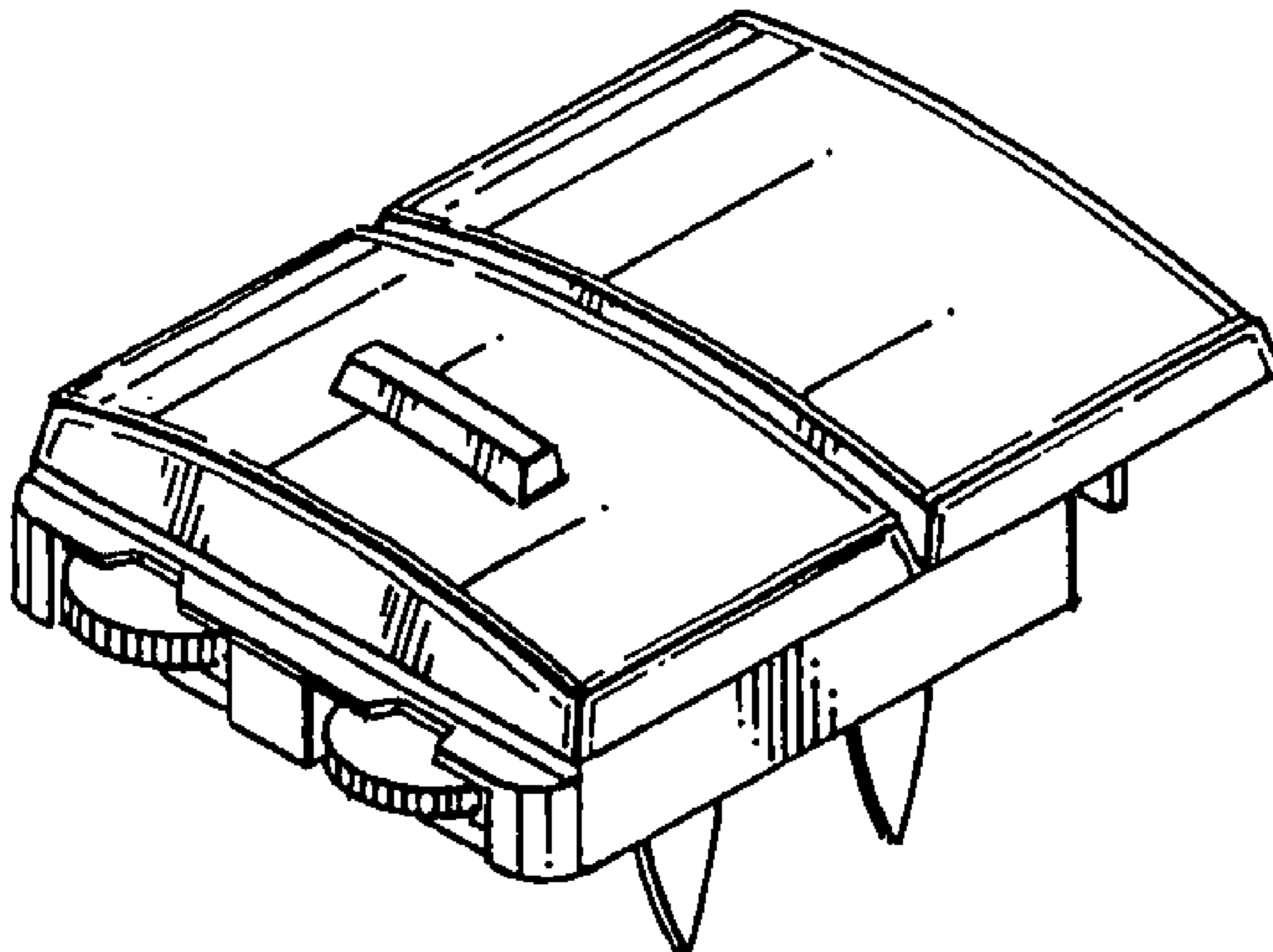
FIG. 6 is a bottom view thereof.

(56) **References Cited**

U.S. PATENT DOCUMENTS

D273,270 S *	4/1984	Stolarz	D8/341
D283,005 S *	3/1986	Gisiger	D8/331
D291,774 S *	9/1987	Gisiger	D8/341
4,719,777 A *	1/1988	Hwang	70/312
D358,978 S *	6/1995	Gisiger	D8/331
D518,355 S *	4/2006	Schlatter	D8/331

1 Claim, 1 Drawing Sheet



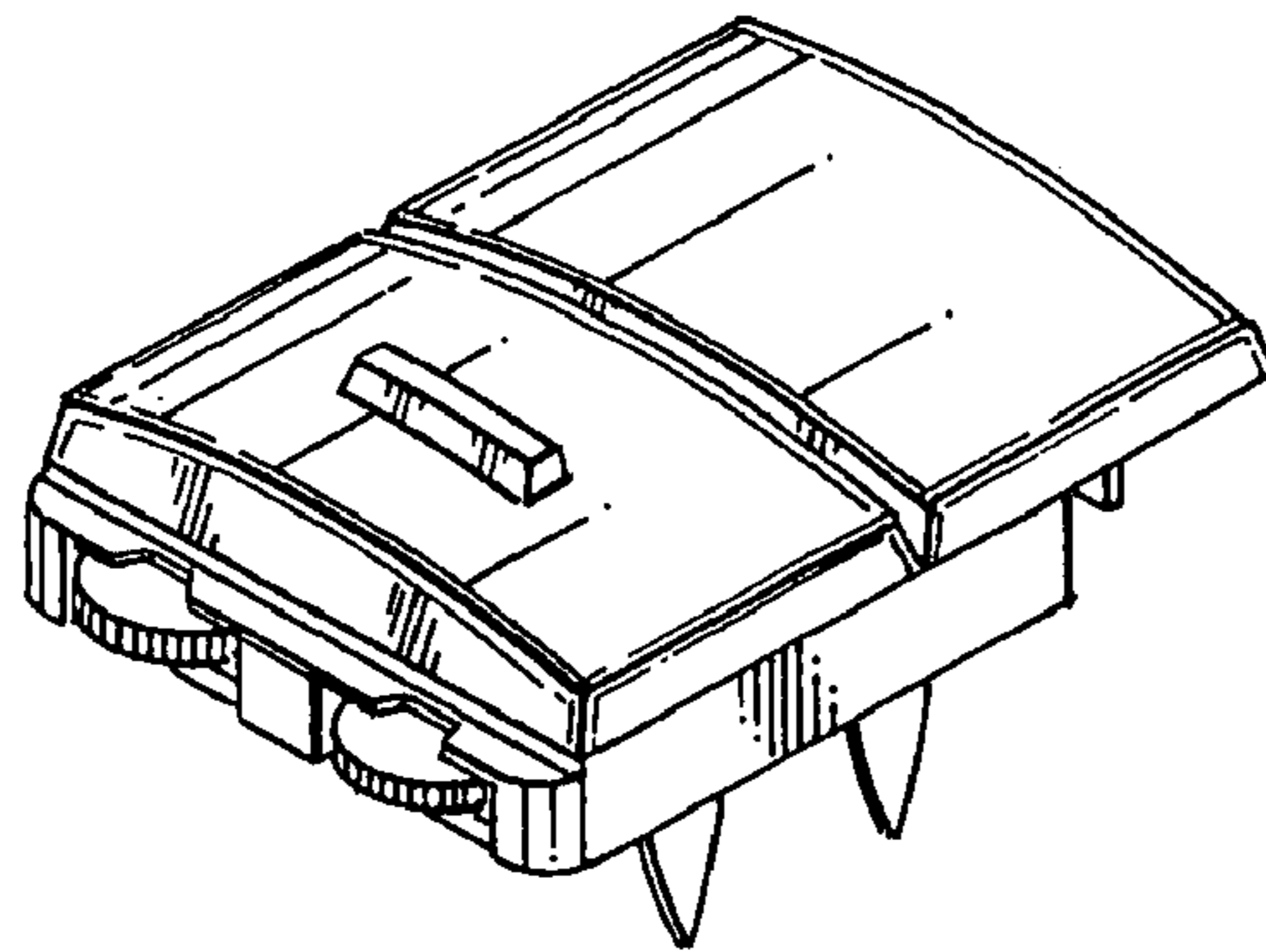


Fig. 1

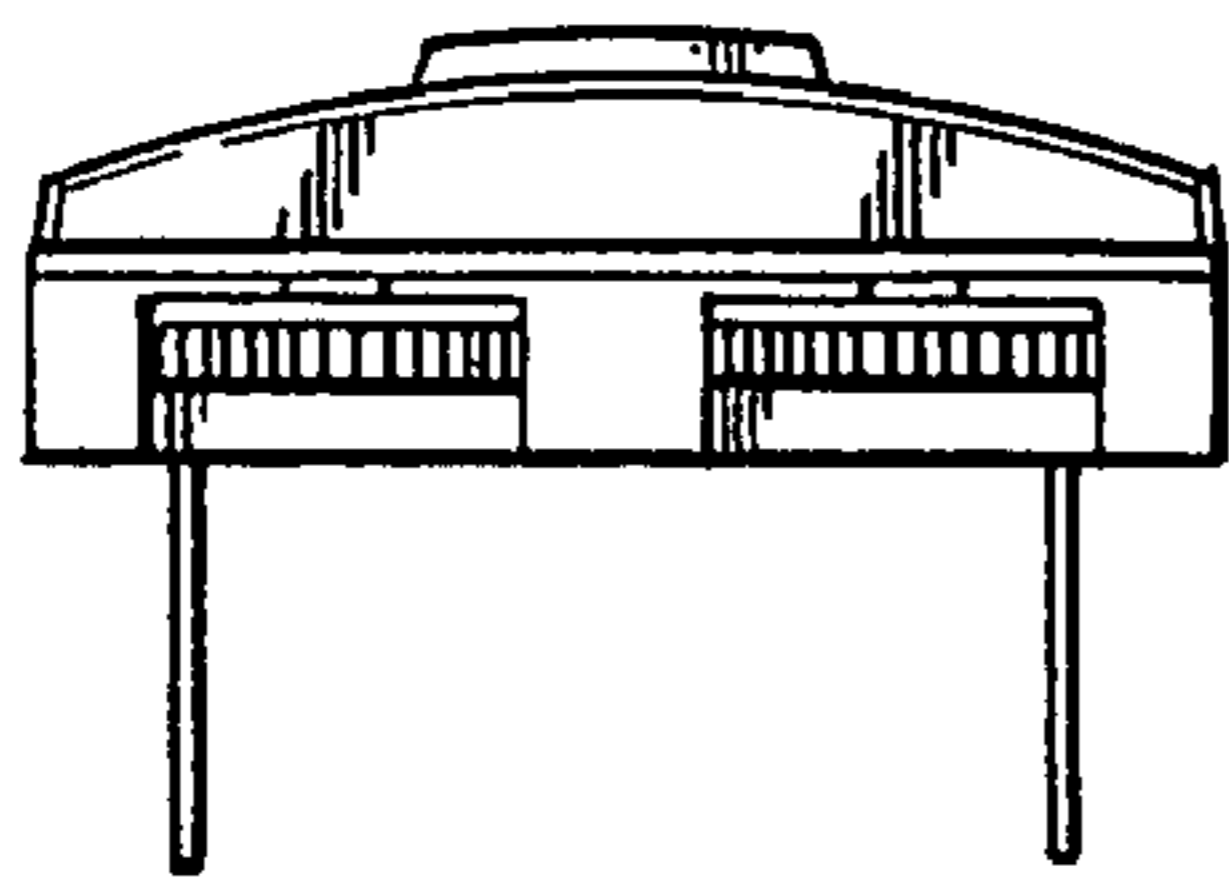


Fig. 2

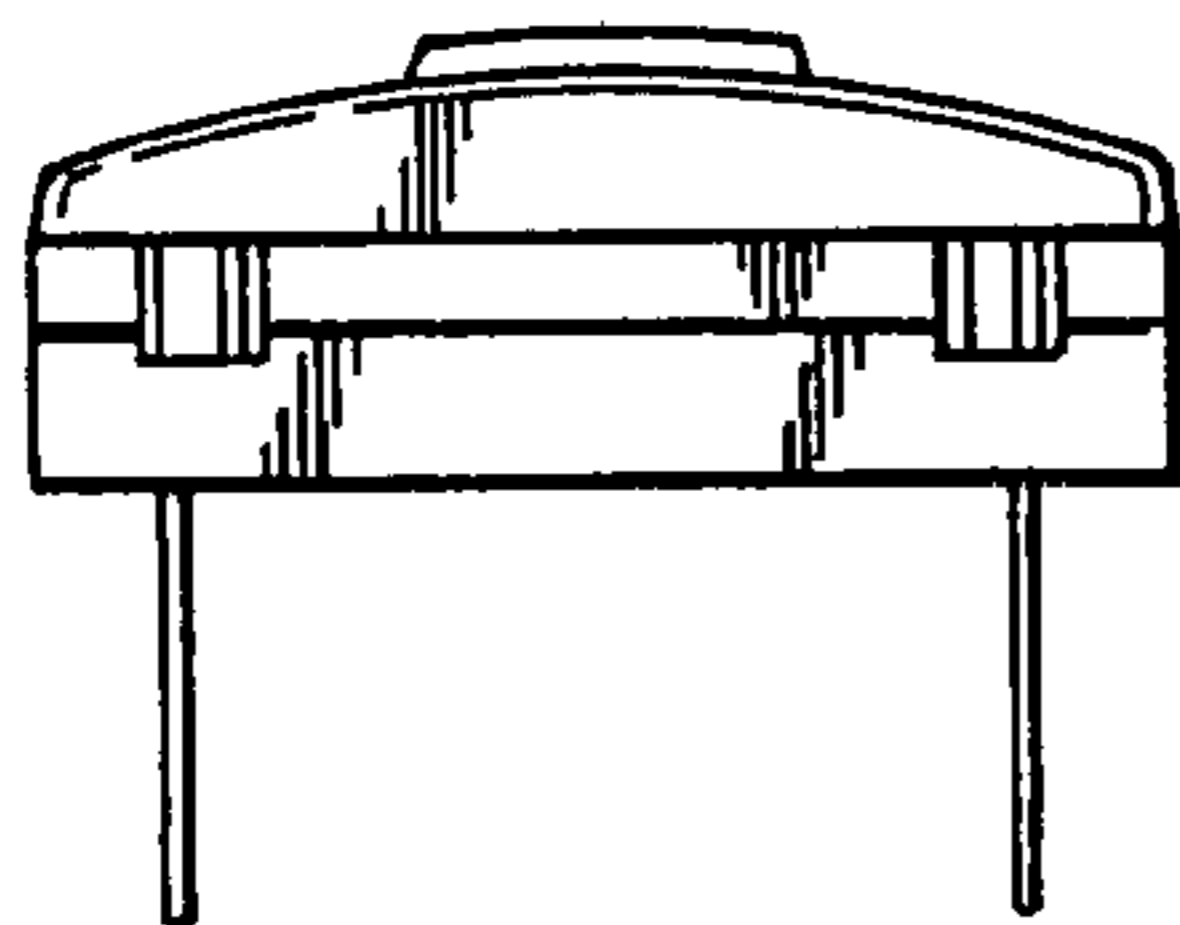


Fig. 3

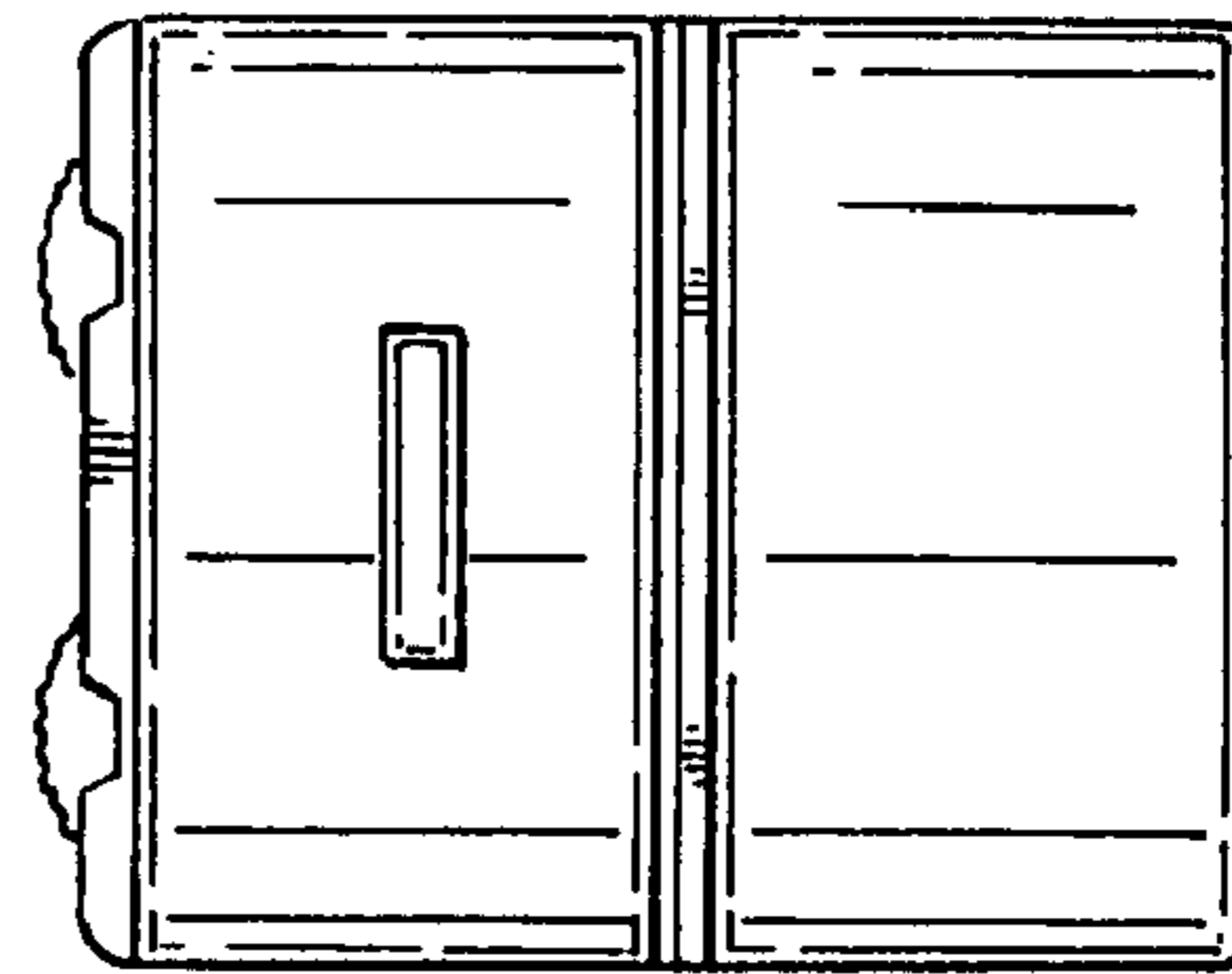


Fig. 4

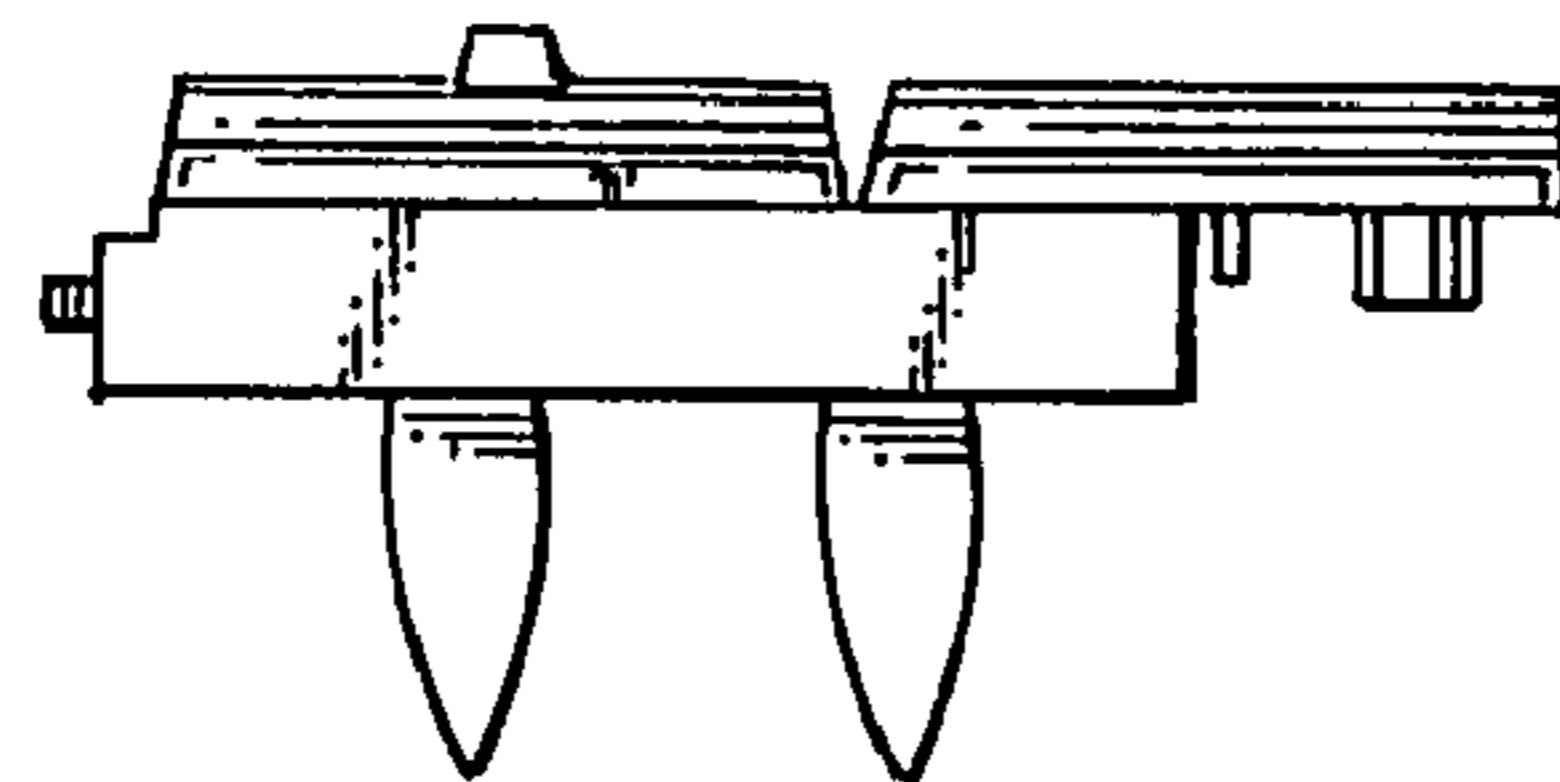


Fig. 5

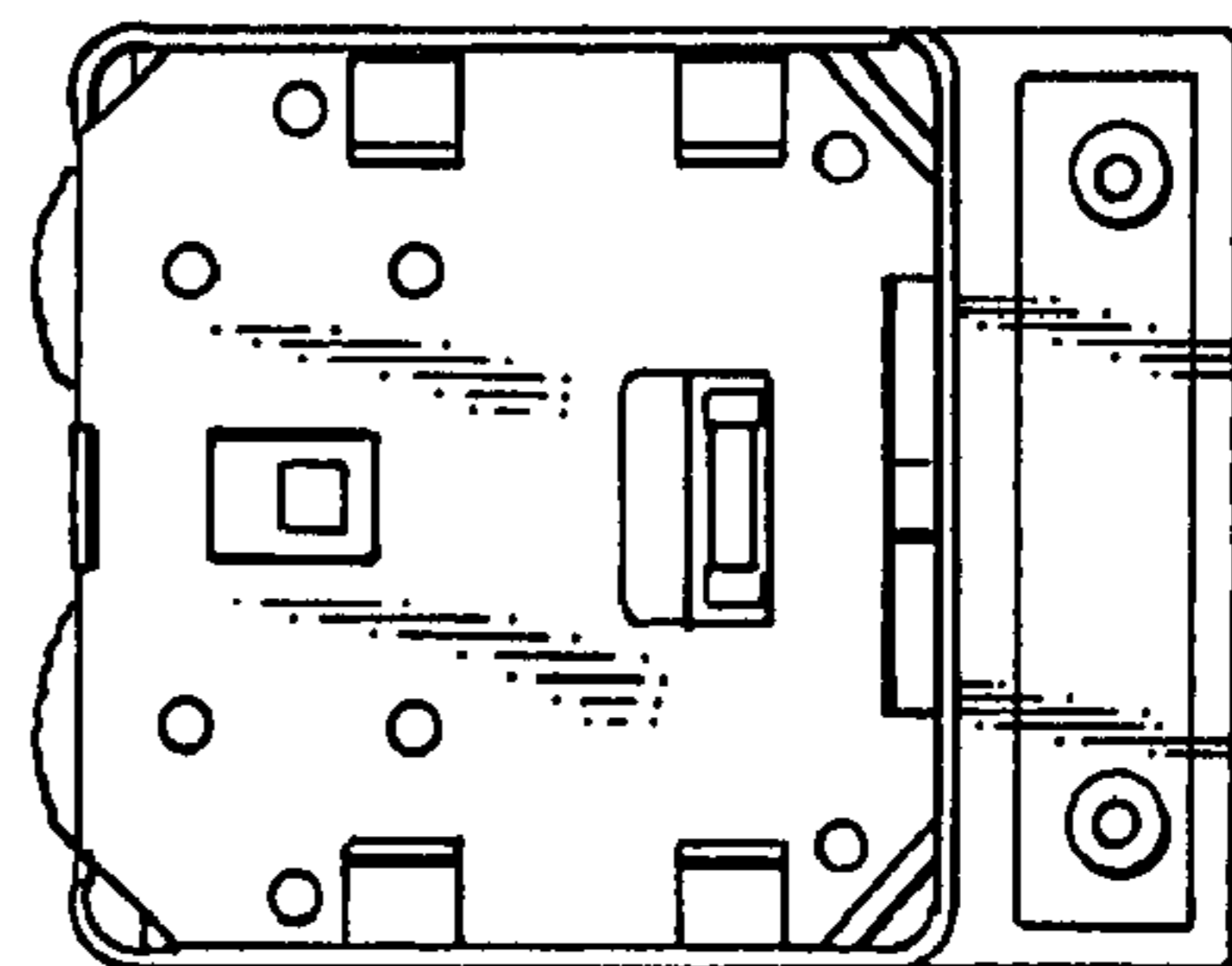


Fig. 6