

US00D570188S

(12) **United States Design Patent**
Luo

(10) **Patent No.:** **US D570,188 S**

(45) **Date of Patent:** **** Jun. 3, 2008**

(54) **DIGITAL LOCK**

(76) **Inventor:** **Xianhao Luo**, No. 10 Yile Blvd., Jiayi Road, #401, Haizhu District, Guangzhou (CN)

(**) **Term:** **14 Years**

(21) **Appl. No.:** **29/277,845**

(22) **Filed:** **Mar. 12, 2007**

(51) **LOC (8) Cl.** **08-07**

(52) **U.S. Cl.** **D8/330; D8/338**

(58) **Field of Classification Search** D8/301, D8/302, 330, 331, 332, 341, 342, 343, 349; D21/338; 70/107, 129, 149, 189, 208, 211, 70/218, 224, 277, 278.1, 282, 285, 472; 200/5 A; 292/32, 137, 169, 333
See application file for complete search history.

(56) **References Cited**

U.S. PATENT DOCUMENTS

3,881,331	A *	5/1975	Tranberg et al.	70/107
6,733,050	B1 *	5/2004	Yao	292/169
D501,388	S *	2/2005	Carpintero	D8/301
D502,859	S *	3/2005	Peng et al.	D8/331
6,935,149	B1 *	8/2005	Peng et al.	70/472
D527,608	S *	9/2006	Antkowiak et al.	D8/302
D545,662	S *	7/2007	Lu	D8/302

D545,666	S *	7/2007	Manton	D8/331
D551,057	S *	9/2007	Min	D8/330
D553,949	S *	10/2007	Luo	D8/338
D554,196	S *	10/2007	Luo	D21/338
D558,026	S *	12/2007	Luo	D8/338

* cited by examiner

Primary Examiner—Stella M. Reid

Assistant Examiner—Shanda C. Hill

(74) *Attorney, Agent, or Firm*—Global IP Services; Tianhua Gu

(57) **CLAIM**

The ornamental design for a digital lock, as shown and described.

DESCRIPTION

FIG. 1 is a perspective view of a digital lock showing my new design;

FIG. 2 is a front view thereof;

FIG. 3 is a back view thereof;

FIG. 4 is a left side view thereof;

FIG. 5 is a right side view thereof;

FIG. 6 is a top view thereof; and,

FIG. 7 is a bottom view thereof.

1 Claim, 5 Drawing Sheets





Fig. 1



Fig. 2

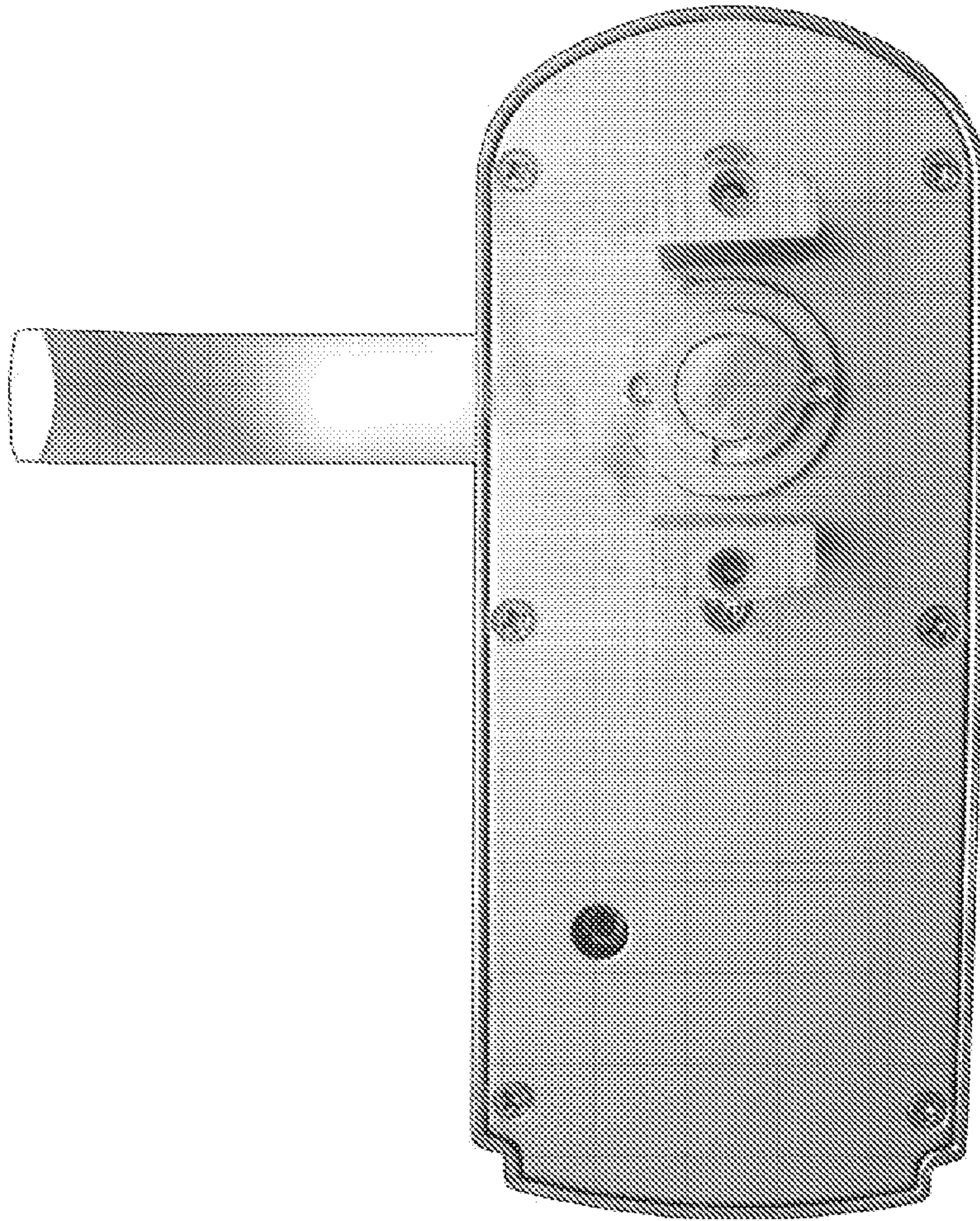


Fig. 3

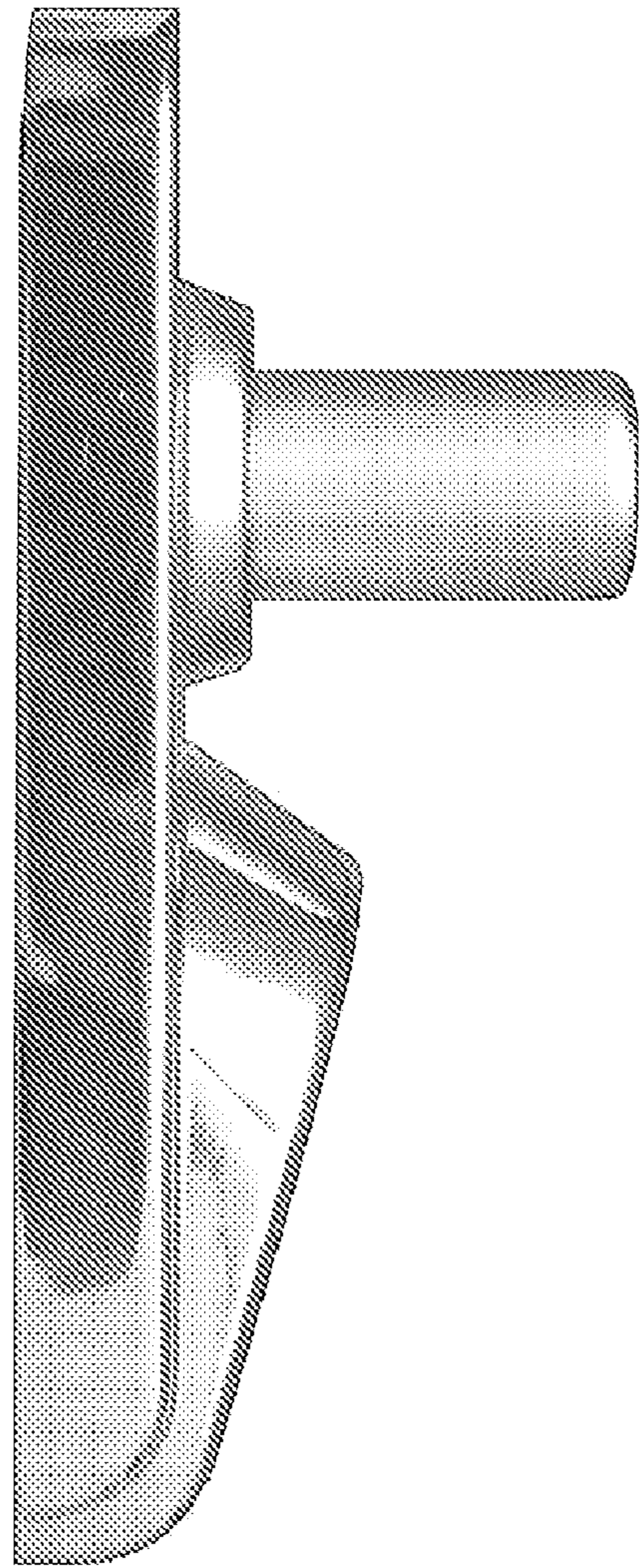


Fig. 4

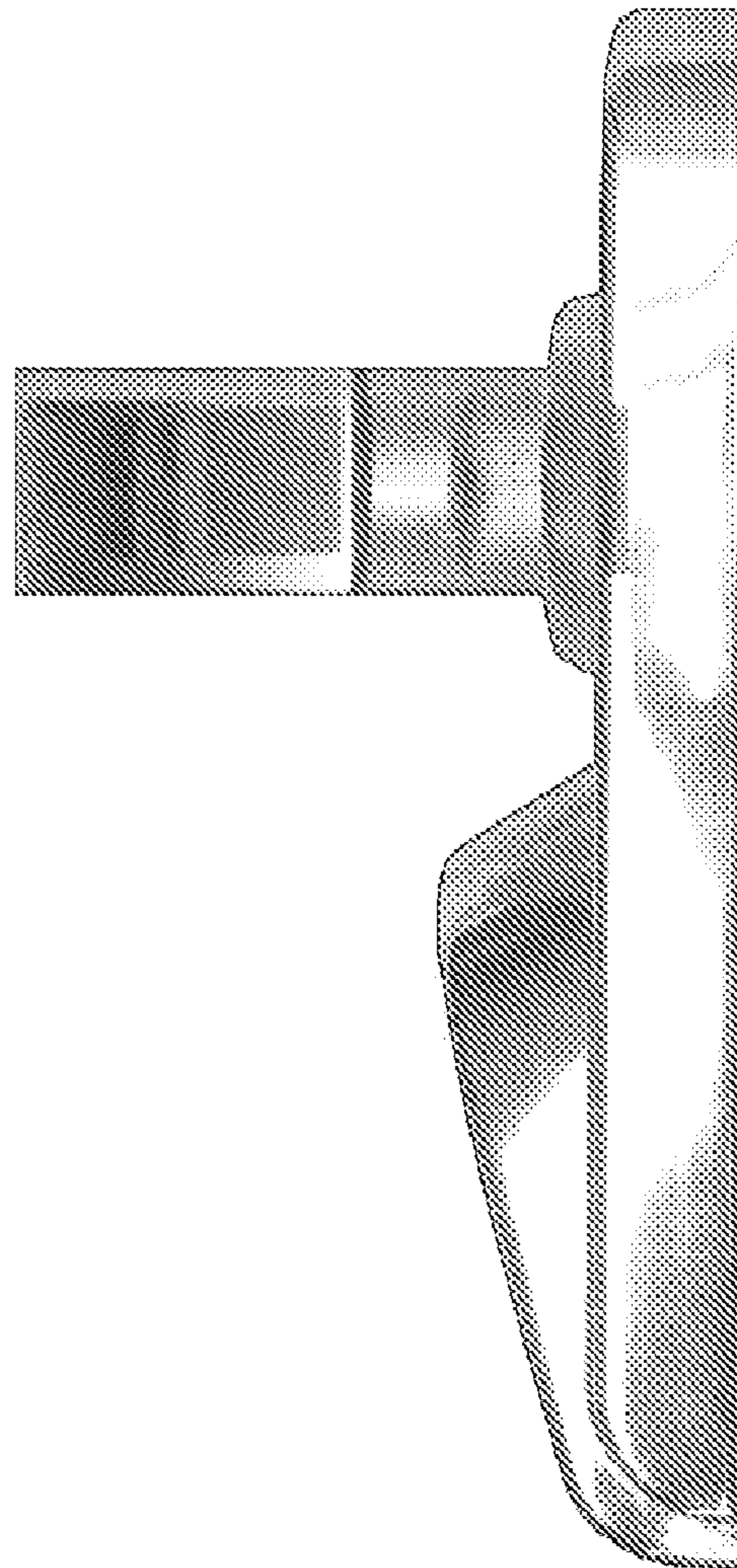


Fig. 5

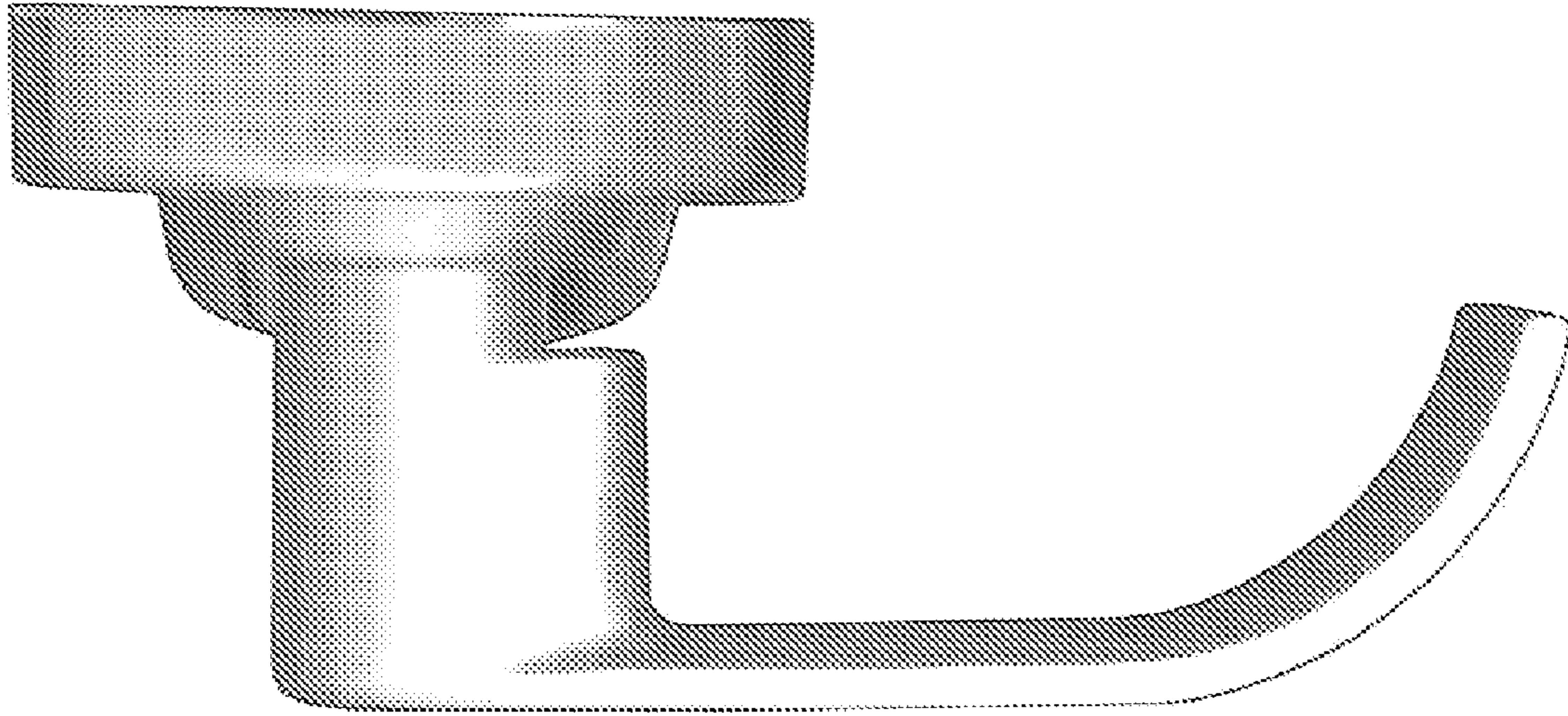


Fig. 6

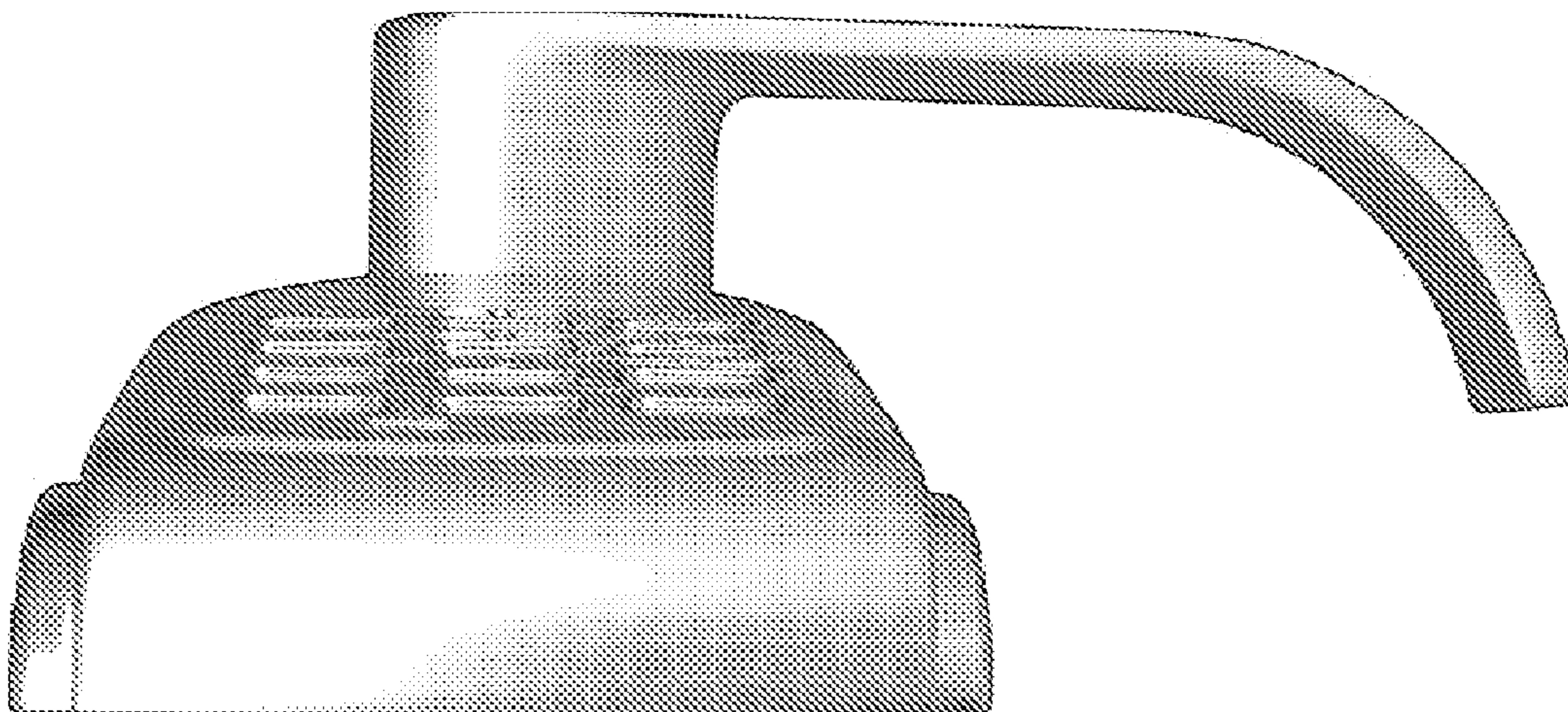


Fig. 7