

US00D570184S

(12) **United States Design Patent**  
**Ricereto**

(10) **Patent No.:** **US D570,184 S**  
(45) **Date of Patent:** **\*\* Jun. 3, 2008**

- (54) **KNOB**
  - (75) Inventor: **Michael Hart Ricereto**, Baltimore, MD (US)
  - (73) Assignee: **Newell Operating Company**, Atlanta, GA (US)
  - (\*\*) Term: **14 Years**
  - (21) Appl. No.: **29/279,596**
  - (22) Filed: **May 3, 2007**
  - (51) **LOC (8) Cl.** ..... **08-06**
  - (52) **U.S. Cl.** ..... **D8/307**
  - (58) **Field of Classification Search** ..... D8/300, D8/307, 310, 353, 378, DIG. 2; 16/110.1, 16/412, 414, 441, 903, DIG. 30; D6/524, D6/545, 580, 578; D99/11; D21/373, 480, D21/365; D19/53, 58; 473/430; D23/250-254; 81/3.09; 4/615, 675
- See application file for complete search history.

- 2,688,297 A 9/1954 Livermont et al.
- D178,865 S 10/1956 Clayton
- 2,796,627 A 6/1957 Heyer
- D186,053 S 9/1959 Clayton
- D194,968 S 4/1963 Stelma
- 3,096,115 A 7/1963 Patriquin et al.
- D199,839 S 12/1964 Simpson
- D200,953 S 4/1965 Menezes et al.
- D203,147 S 12/1965 Kaiser
- D203,148 S 12/1965 Kaiser
- D204,128 S 3/1966 Clayton
- D204,461 S 4/1966 Volker
- D207,898 S 6/1967 Doman
- D217,431 S 5/1970 Russell
- D219,702 S 1/1971 Korol
- D222,232 S 10/1971 Horgan
- D224,225 S 7/1972 Doman
- D232,621 S 9/1974 Zagaroli
- 3,909,878 A \* 10/1975 Natinsky ..... 16/441
- D241,843 S 10/1976 Shames
- D252,092 S 6/1979 Popeck
- D252,183 S 6/1979 DeWindt

(Continued)

(56) **References Cited**  
U.S. PATENT DOCUMENTS

- 436,523 A 9/1890 Glover
- D22,755 S 8/1893 Russell
- D35,238 S 10/1901 Tower
- 784,131 A 3/1905 Assel
- 963,053 A \* 7/1910 Lockwood ..... 16/441
- D47,069 S 3/1915 Burns
- D67,474 S 6/1925 Rosenthal
- 2,002,817 A 5/1935 Johnson
- D98,440 S 2/1936 Martin
- D100,034 S 6/1936 McCormick
- D104,262 S 4/1937 Hewes
- D115,537 S 7/1939 Bahr
- D116,935 S 10/1939 Jung
- D121,558 S 7/1940 Borchers
- D127,190 S 5/1941 Jung
- 2,430,681 A \* 11/1947 Johnson ..... 473/470
- D152,901 S 3/1949 Petersen
- 2,608,889 A \* 9/1952 Krupin ..... 81/3.09
- D169,533 S 5/1953 Deadrick

*Primary Examiner*—Paula A Greene  
(74) *Attorney, Agent, or Firm*—Banner & Witcoff, Ltd.

(57) **CLAIM**

I claim the ornamental design for a knob, as shown and described.

**DESCRIPTION**

FIG. 1 is a perspective view of a knob of the present claimed design;

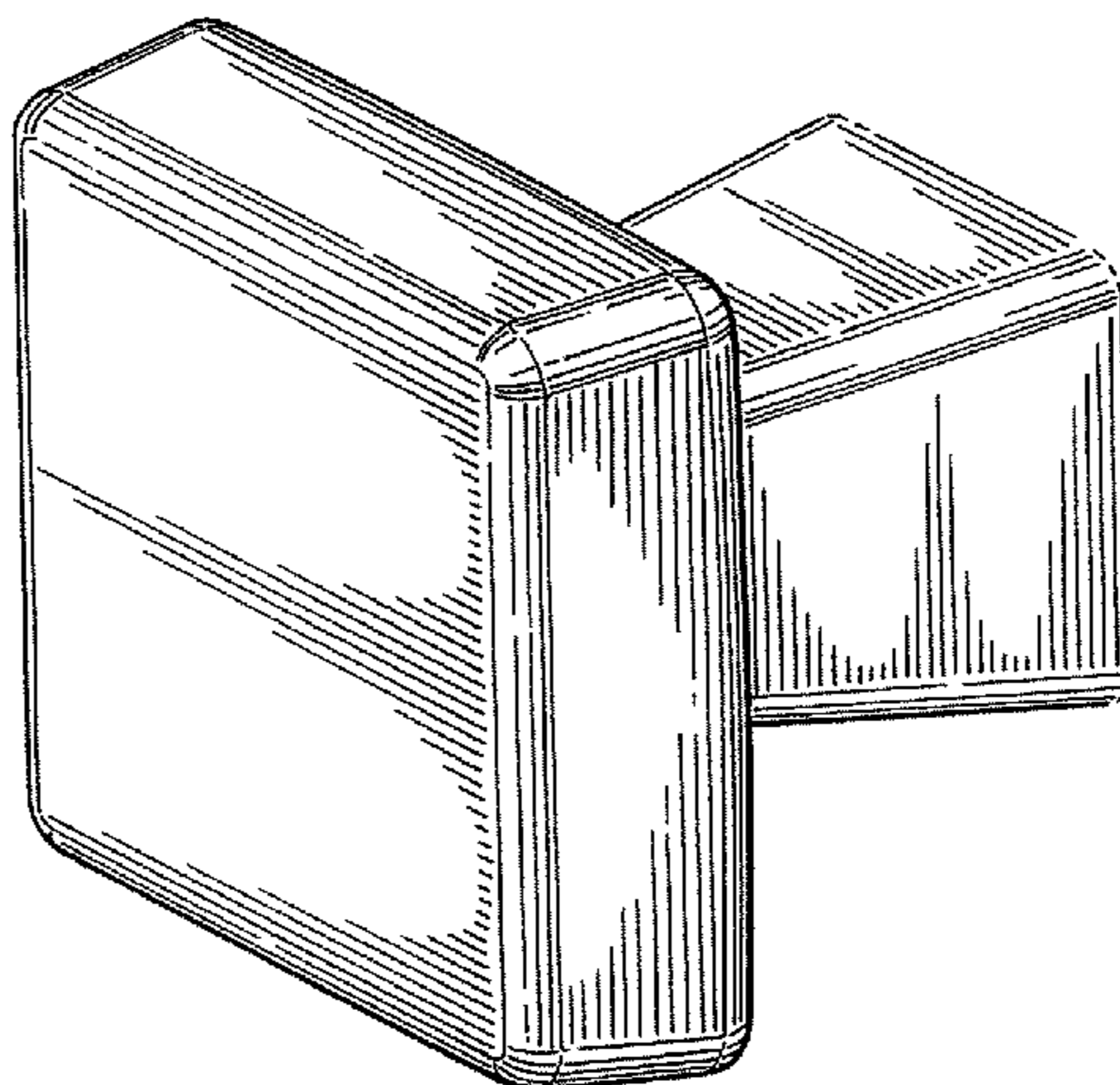
FIG. 2 is a side view of the knob shown in FIG. 1, each side view being identical thereto;

FIG. 3 is a front view of the knob shown in FIG. 1; and,

FIG. 4 is a rear view of the knob shown in FIG. 1.

Features shown in broken lines in the drawings form no part of the claimed design.

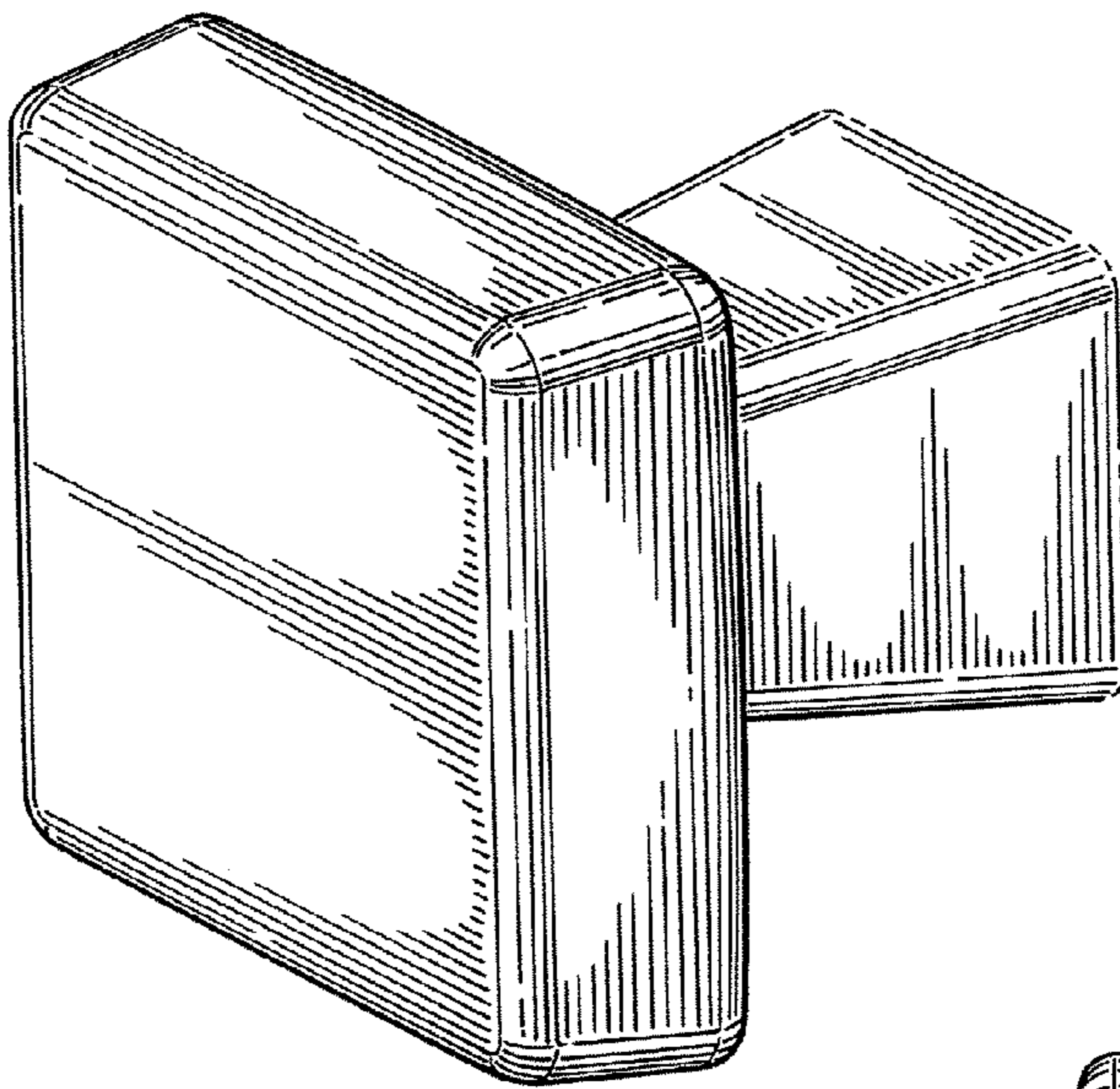
**1 Claim, 1 Drawing Sheet**



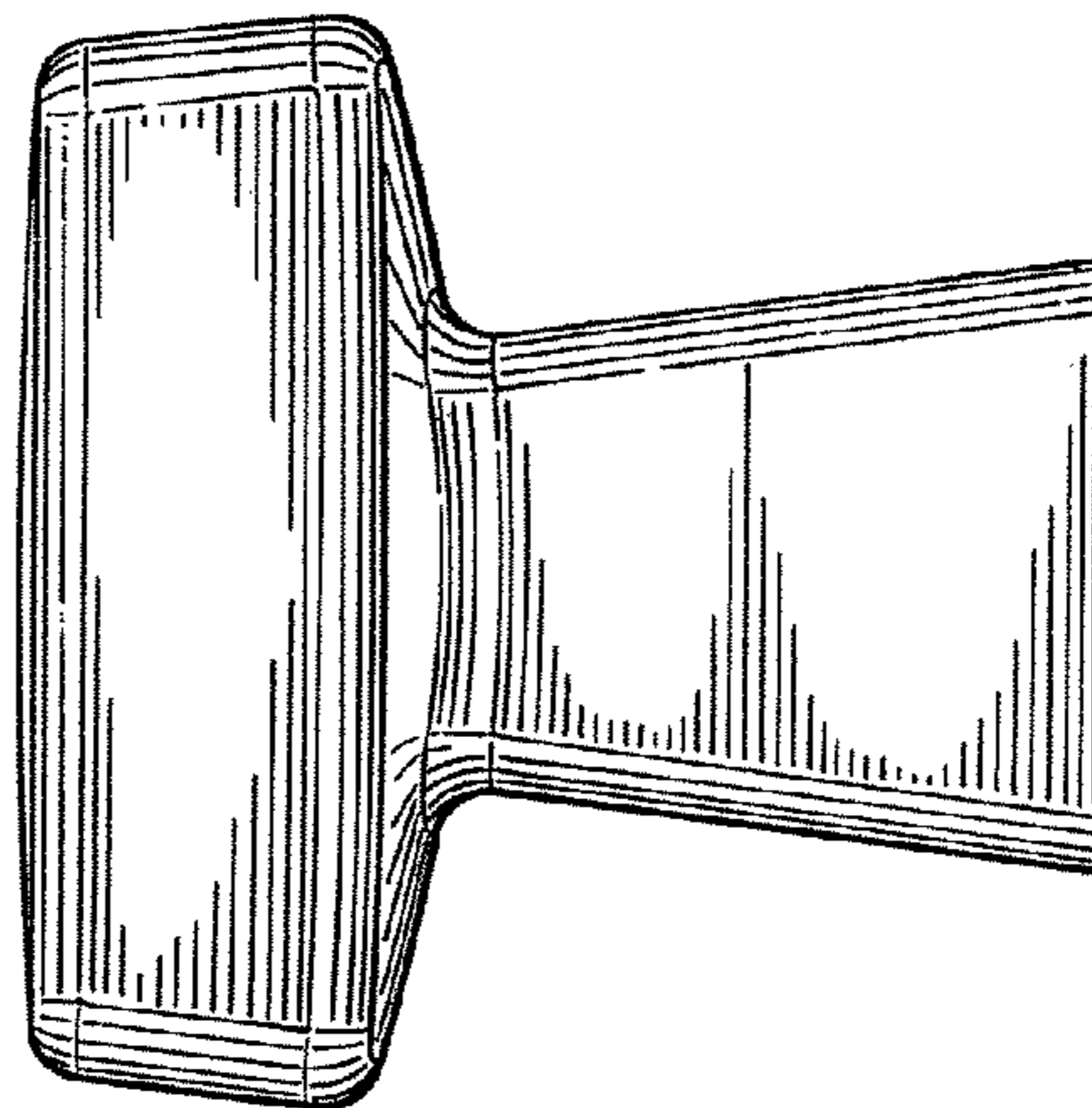
# US D570,184 S

| U.S. PATENT DOCUMENTS |         |                           |              |         |                            |
|-----------------------|---------|---------------------------|--------------|---------|----------------------------|
| 4,193,166 A           | 3/1980  | Neff                      | D370,613 S   | 6/1996  | Ainscough                  |
| D256,862 S            | 9/1980  | Ryan et al.               | D370,614 S   | 6/1996  | Ainscough                  |
| D267,187 S            | 12/1982 | Ronvik                    | D371,062 S   | 6/1996  | Ainscough                  |
| D267,774 S            | 2/1983  | Pittenger                 | D372,414 S   | 8/1996  | De'Armond                  |
| D267,926 S            | 2/1983  | Pittenger                 | D372,657 S   | 8/1996  | De'Armond                  |
| D268,246 S            | 3/1983  | Tegner                    | D372,659 S   | 8/1996  | De'Armond                  |
| D270,993 S            | 10/1983 | Tegner                    | D373,065 S   | 8/1996  | De'Armond                  |
| D270,994 S            | 10/1983 | Tegner                    | D373,066 S   | 8/1996  | De'Armond                  |
| D271,464 S            | 11/1983 | Carlson                   | D373,067 S   | 8/1996  | De'Armond                  |
| D272,800 S            | 2/1984  | Pawlow                    | D374,390 S   | 10/1996 | De'Armond                  |
| D274,035 S            | 5/1984  | Pawlow                    | D377,655 S   | 1/1997  | Smith                      |
| D274,123 S            | 6/1984  | Tegner                    | D377,747 S   | 2/1997  | De'Armond                  |
| D284,737 S            | 7/1986  | Clayton                   | D381,252 S   | 7/1997  | Chieda                     |
| D290,337 S            | 6/1987  | Savage                    | D386,667 S   | 11/1997 | Smith                      |
| D290,493 S            | 6/1987  | Dragos                    | D388,272 S   | 12/1997 | Moore                      |
| D295,827 S            | 5/1988  | Benjamin                  | D396,179 S   | 7/1998  | Burns et al.               |
| D296,073 S            | 6/1988  | Rhoades                   | D396,180 S   | 7/1998  | Burns et al.               |
| D297,211 S            | 8/1988  | Rhoades                   | D399,117 S   | 10/1998 | Burns et al.               |
| D300,505 S            | 4/1989  | Palm, Jr. et al.          | D399,406 S   | 10/1998 | Decursu et al.             |
| D300,902 S *          | 5/1989  | Kohler et al. .... D8/307 | D399,407 S   | 10/1998 | Burns et al.               |
| D305,862 S            | 2/1990  | Clayton                   | D399,723 S   | 10/1998 | Burns et al.               |
| D305,863 S            | 2/1990  | Gresens et al.            | D401,834 S   | 12/1998 | Burns et al.               |
| D312,381 S            | 11/1990 | Clayton                   | D401,835 S   | 12/1998 | Burns et al.               |
| D322,659 S            | 12/1991 | Reid et al.               | D403,230 S   | 12/1998 | Ziemer et al.              |
| D323,726 S            | 2/1992  | Murphy                    | D403,571 S   | 1/1999  | Burns et al.               |
| D326,219 S            | 5/1992  | Clayton                   | D406,745 S   | 3/1999  | Burns et al.               |
| D326,990 S            | 6/1992  | Bishop                    | D411,728 S   | 6/1999  | O'Neil                     |
| D326,991 S            | 6/1992  | Bishop                    | D411,793 S   | 7/1999  | O'Neil                     |
| D326,992 S            | 6/1992  | Clayton                   | D411,794 S   | 7/1999  | O'Neil                     |
| D326,993 S            | 6/1992  | Clayton                   | D411,795 S   | 7/1999  | O'Neil                     |
| D326,994 S            | 6/1992  | Bishop                    | D413,248 S   | 8/1999  | O'Neil                     |
| D326,997 S            | 6/1992  | Clayton                   | D414,100 S   | 9/1999  | O'Neil                     |
| D327,196 S            | 6/1992  | Crook et al.              | D415,257 S   | 10/1999 | Abel                       |
| D327,407 S            | 6/1992  | Clayton                   | D415,405 S   | 10/1999 | O'Neil                     |
| D327,420 S            | 6/1992  | Bishop                    | D416,465 S   | 11/1999 | O'Neil                     |
| D327,530 S            | 6/1992  | Rawald                    | D418,387 S   | 1/2000  | O'Neil                     |
| D333,697 S            | 3/1993  | Thomas                    | D418,388 S   | 1/2000  | O'Neil                     |
| D338,388 S *          | 8/1993  | Bengtson ..... D23/250    | D418,389 S   | 1/2000  | O'Neil                     |
| 5,255,413 A           | 10/1993 | Sabo                      | D418,803 S   | 1/2000  | Klimenko                   |
| 5,333,430 A           | 8/1994  | Vidal                     | D429,455 S   | 8/2000  | Burns et al.               |
| D355,834 S            | 2/1995  | Chieda                    | D429,991 S   | 8/2000  | Short                      |
| D355,835 S            | 2/1995  | Chieda                    | D431,442 S   | 10/2000 | Short                      |
| D355,837 S            | 2/1995  | Chieda                    | D431,444 S   | 10/2000 | Short                      |
| D355,838 S            | 2/1995  | Chieda                    | D431,445 S   | 10/2000 | Short                      |
| D355,839 S            | 2/1995  | Chieda                    | D431,996 S   | 10/2000 | Short                      |
| D356,724 S            | 3/1995  | Chieda                    | D434,633 S   | 12/2000 | Short                      |
| D357,168 S            | 4/1995  | Chieda                    | D434,962 S   | 12/2000 | Short                      |
| D361,491 S            | 8/1995  | Chieda                    | D434,963 S   | 12/2000 | Short                      |
| D361,492 S            | 8/1995  | Chieda                    | D435,424 S   | 12/2000 | Short                      |
| D361,493 S            | 8/1995  | Chieda                    | D435,426 S   | 12/2000 | Short                      |
| D361,496 S            | 8/1995  | Chieda                    | D437,202 S   | 2/2001  | O'Neil                     |
| D361,498 S            | 8/1995  | Chieda                    | D442,462 S   | 5/2001  | Dewald et al.              |
| D361,707 S            | 8/1995  | Chieda                    | D506,378 S   | 6/2005  | Coudurier                  |
| D366,998 S            | 2/1996  | Hollingsworth             | D526,883 S   | 8/2006  | Gilbert                    |
| D367,217 S            | 2/1996  | Hollingsworth-Ainscough   | D541,131 S   | 4/2007  | Ricereto et al.            |
| D367,417 S            | 2/1996  | Ainscough                 | D541,619 S   | 5/2007  | Ricereto                   |
| D368,014 S            | 3/1996  | Ainscough                 | D542,116 S   | 5/2007  | Ricereto et al.            |
| D368,638 S            | 4/1996  | Sonnenleiter              | D542,119 S   | 5/2007  | Ricereto                   |
| D368,639 S            | 4/1996  | Chieda                    | D542,622 S   | 5/2007  | Ricereto                   |
| D368,640 S            | 4/1996  | Sonnenleiter              | D542,623 S   | 5/2007  | Ricereto                   |
| D368,642 S            | 4/1996  | Chieda                    | D543,088 S   | 5/2007  | Ricereto                   |
| D368,643 S            | 4/1996  | Sonnenleiter              | D543,436 S   | 5/2007  | Ricereto                   |
| D368,644 S            | 4/1996  | Bishop                    | D545,665 S   | 7/2007  | Ricereto et al.            |
| D368,842 S            | 4/1996  | Sonnenleiter              | D560,752 S * | 1/2008  | Rexach et al. .... D23/213 |

\* cited by examiner

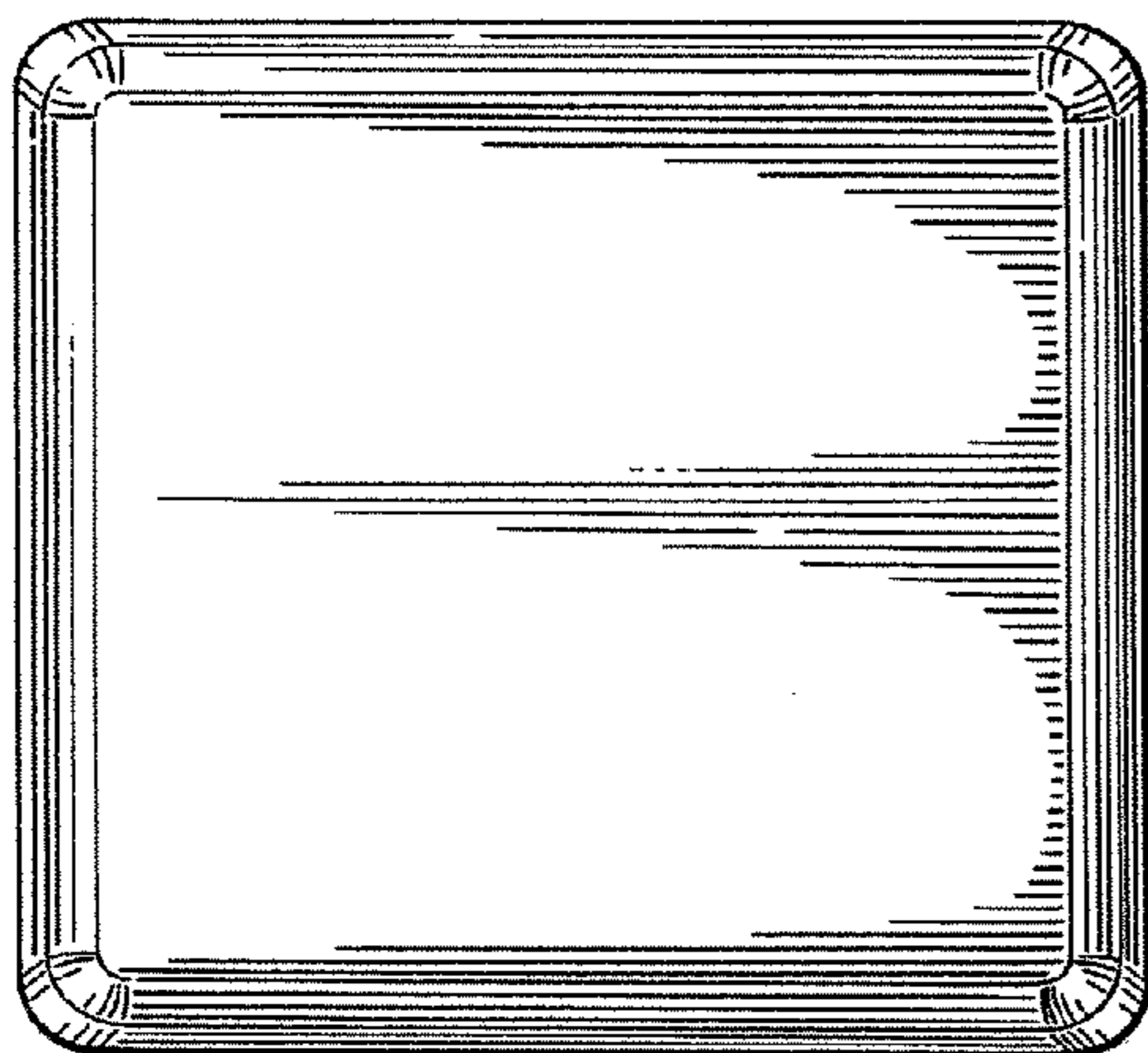


*FIG. 1*



*FIG. 2*

*FIG. 3*



*FIG. 4*

