

US00D570181S

(12) **United States Design Patent**
Snider

(10) **Patent No.:** **US D570,181 S**

(45) **Date of Patent:** **** Jun. 3, 2008**

(54) **MULTI-TOOL**

(75) Inventor: **Gregory S. Snider**, Bel Air, MD (US)

(73) Assignee: **Black & Decker Inc.**, Newark, DE (US)

(**) Term: **14 Years**

(21) Appl. No.: **29/284,116**

(22) Filed: **Aug. 31, 2007**

(51) **LOC (8) Cl.** **08-05**

(52) **U.S. Cl.** **D8/105**

(58) **Field of Classification Search** D8/99,
D8/58, 55, 52, 356, 107, 105; D19/65; 81/440,
81/427.5; 7/160, 138, 128, 118; 30/298.4,
30/162, 161, 155

See application file for complete search history.

(56) **References Cited**

U.S. PATENT DOCUMENTS

3,172,212 A	3/1965	Pappas	
4,736,480 A	4/1988	Bohl et al.	
4,783,867 A *	11/1988	Tsao	7/160
D308,462 S *	6/1990	Komatsu	D8/105
5,051,876 A	9/1991	Norman	
5,062,173 A	11/1991	Collins et al.	
5,174,178 A *	12/1992	Disston, Jr.	81/490
5,205,006 A	4/1993	Panasuk	
D367,807 S *	3/1996	Hung	D8/105
D371,498 S *	7/1996	Lai	D8/105
5,664,274 A	9/1997	Collins	
D384,872 S *	10/1997	Yeh	D8/105
5,877,618 A	3/1999	Luebke et al.	
5,893,185 A	4/1999	Okrepkie et al.	
D419,418 S *	1/2000	Lin	D8/105
6,352,010 B1	3/2002	Giarritta et al.	
6,424,139 B2	7/2002	Bystrom et al.	
D464,168 S *	10/2002	Reynolds et al.	D27/142

D476,215 S *	6/2003	Chuang	D8/105
D477,679 S *	7/2003	Yuen	D26/38
6,731,218 B2	5/2004	Luebke et al.	
D494,438 S *	8/2004	Falkenstein et al.	D8/105
6,844,819 B2	1/2005	Luebke et al.	
6,848,139 B2	2/2005	Simon et al.	
6,983,506 B1	1/2006	Brown	
D515,392 S *	2/2006	Xingguo	D8/105
D515,901 S *	2/2006	Tarpill	D8/105
D520,660 S *	5/2006	Yuen	D26/38
7,073,918 B1	7/2006	Bauman	
7,114,825 B1	10/2006	Bauman	
D532,915 S *	11/2006	Yuen	D26/38
D549,069 S *	8/2007	Lin et al.	D8/105
D557,100 S *	12/2007	Stokes et al.	D8/105
2005/0104735 A1	5/2005	Luebke et al.	

* cited by examiner

Primary Examiner—Cathron Brooks

Assistant Examiner—Austin Murphy

(74) *Attorney, Agent, or Firm*—Wesley W. Muller

(57) **CLAIM**

The ornamental design for a multi-tool, as shown and described.

DESCRIPTION

FIG. 1 is a front perspective view of a multi-tool according to the present invention;

FIG. 2 is a rear perspective view of a multi-tool of FIG. 1;

FIG. 3 is a top view of the multi-tool of FIG. 1;

FIG. 4 is a bottom view of the multi-tool of FIG. 1;

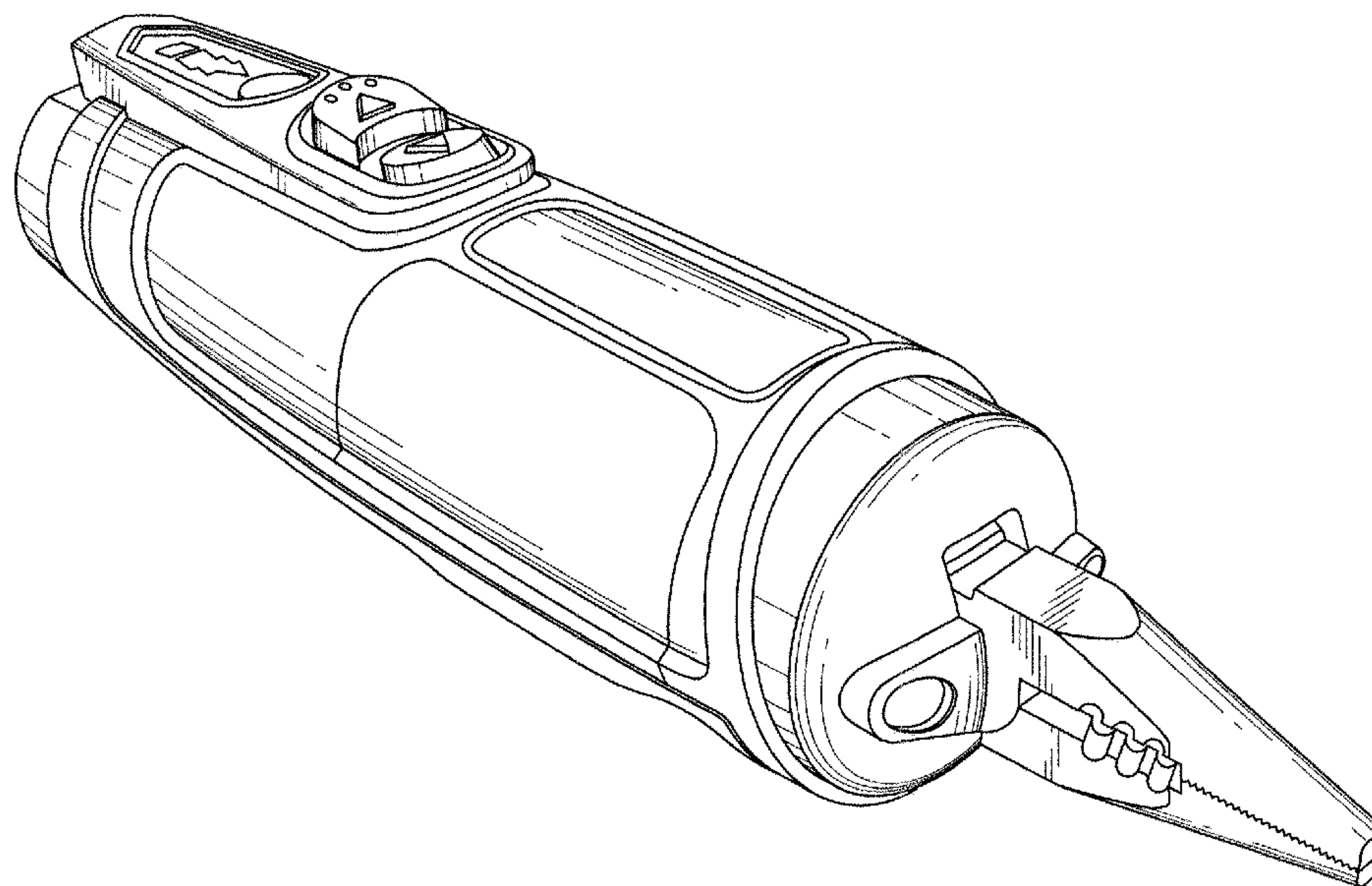
FIG. 5 is a right side view of the multi-tool of FIG. 1;

FIG. 6 is a left side view of the multi-tool of FIG. 1;

FIG. 7 is a rear view of the multi-tool of FIG. 1; and,

FIG. 8 is a front view of the multi-tool of FIG. 1.

1 Claim, 8 Drawing Sheets



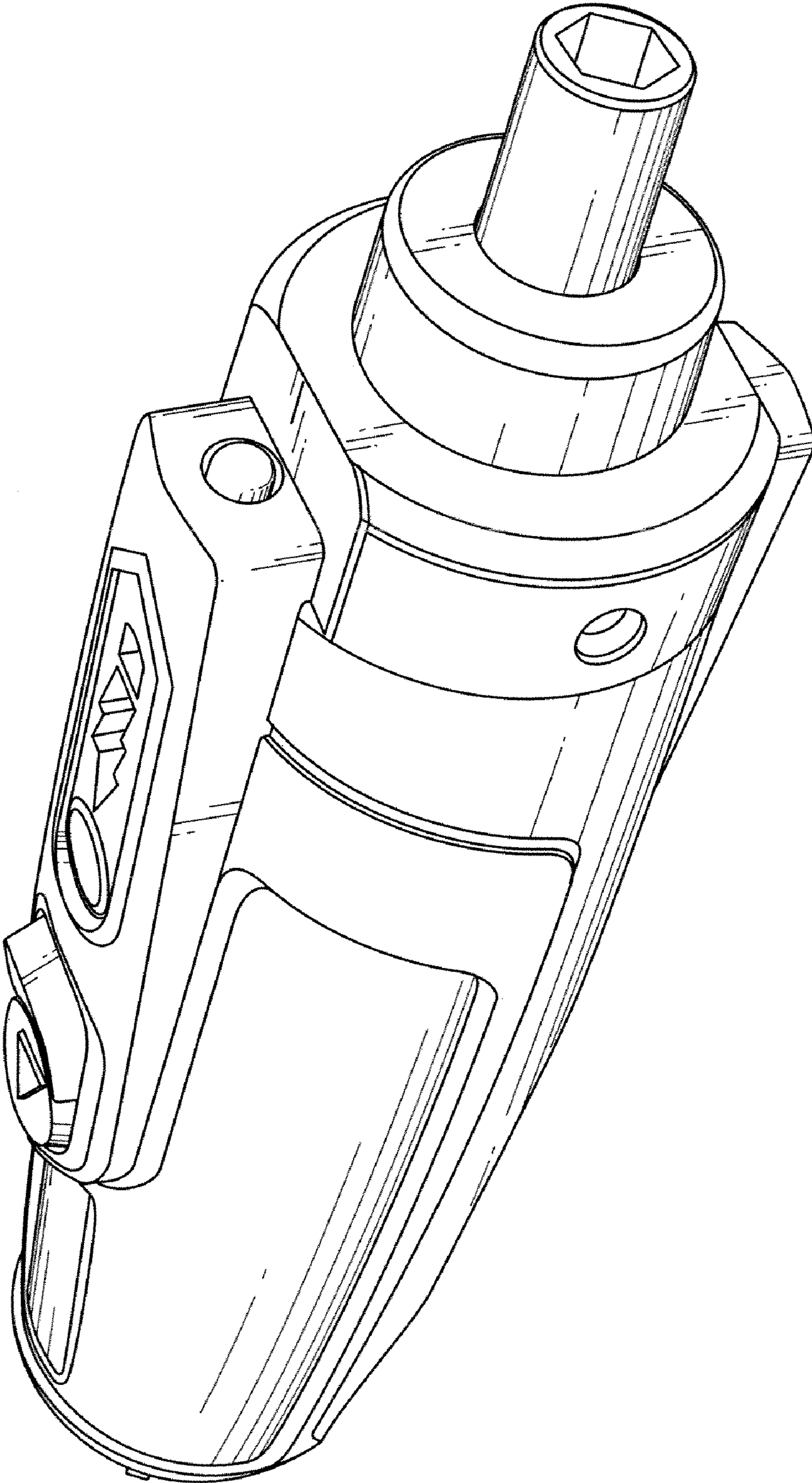


Fig. 1

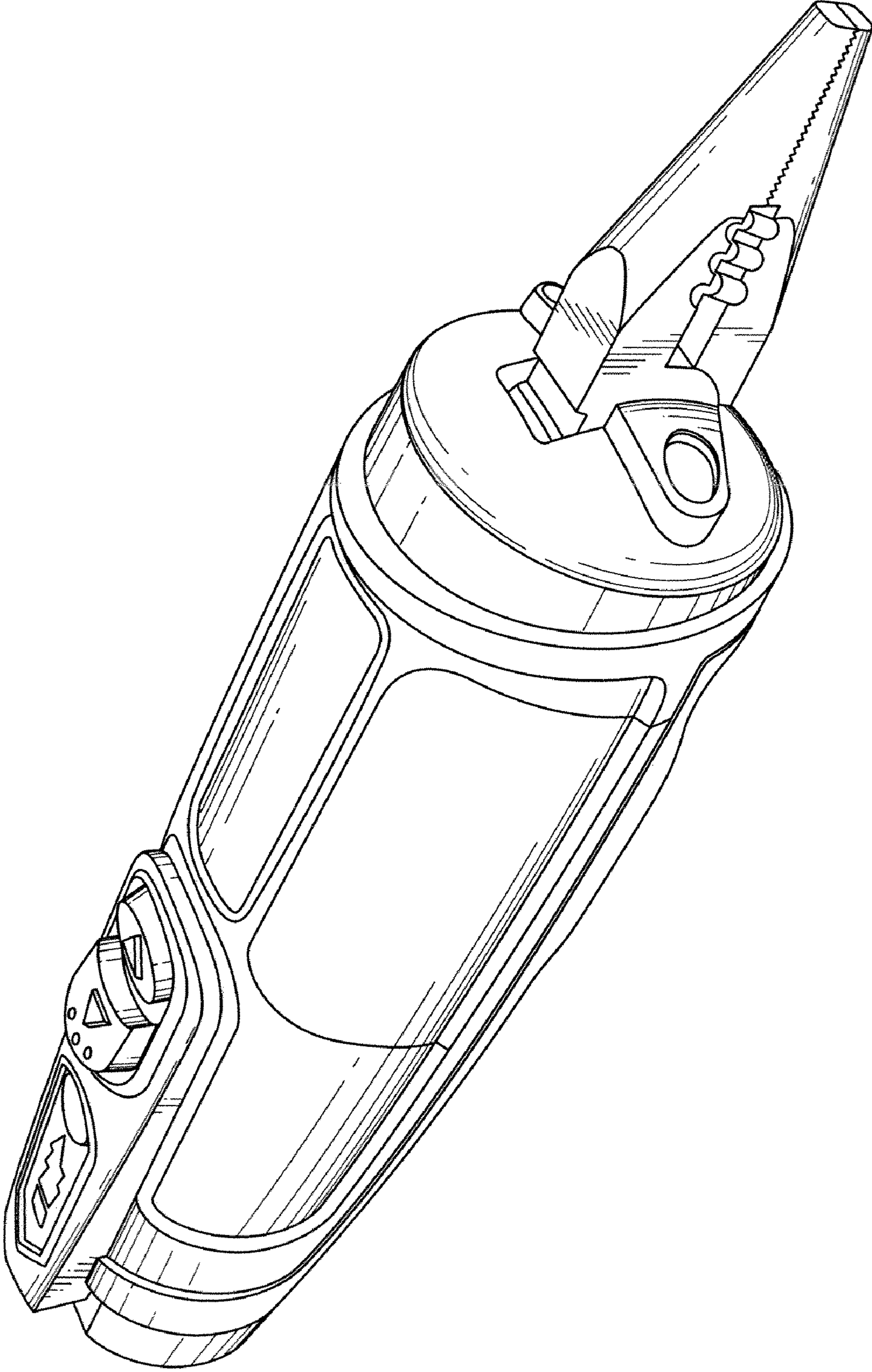


Fig. 2

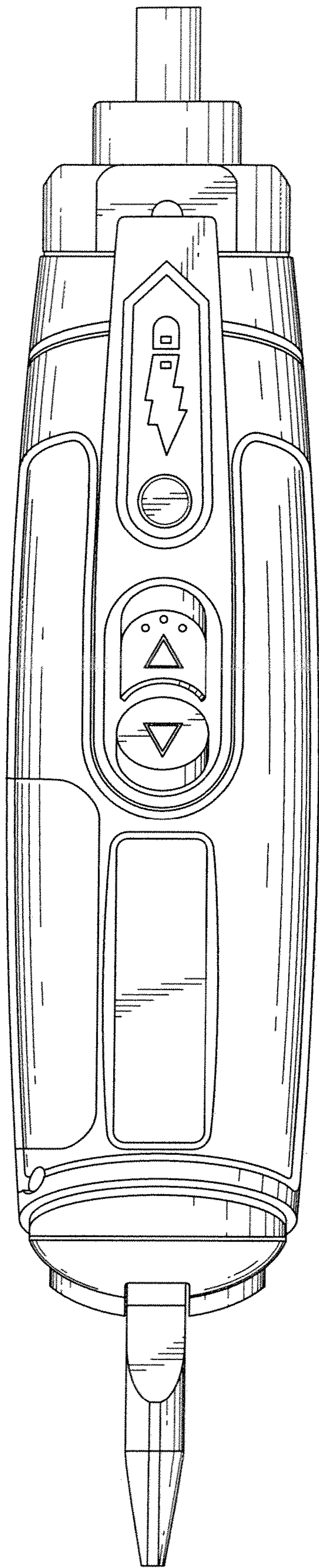


Fig. 3

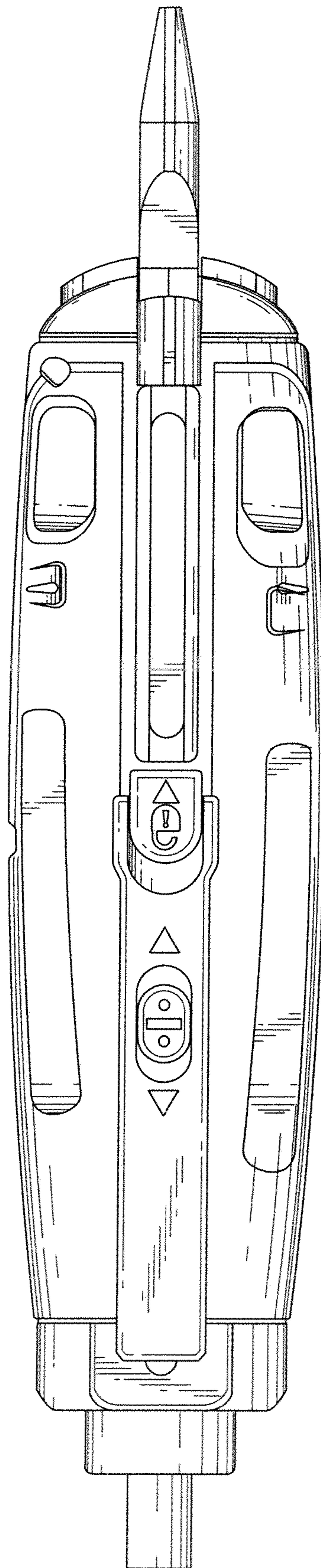


Fig. 4

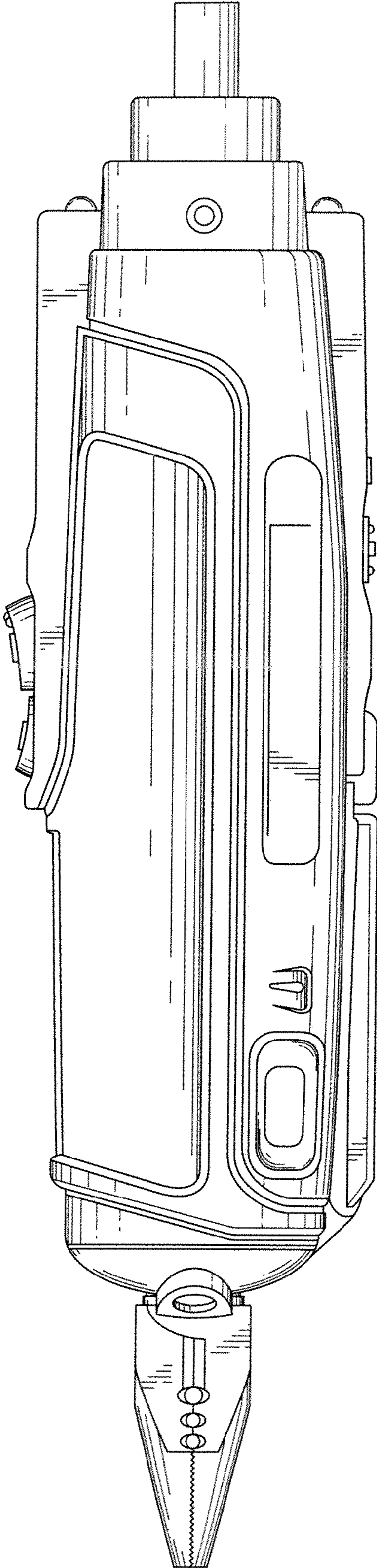


Fig. 5

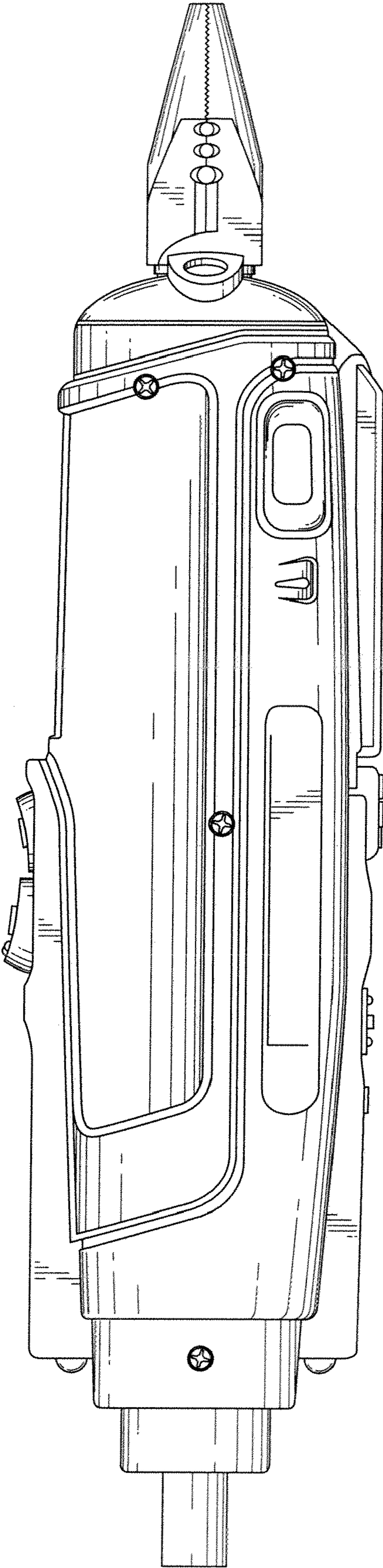


Fig. 6

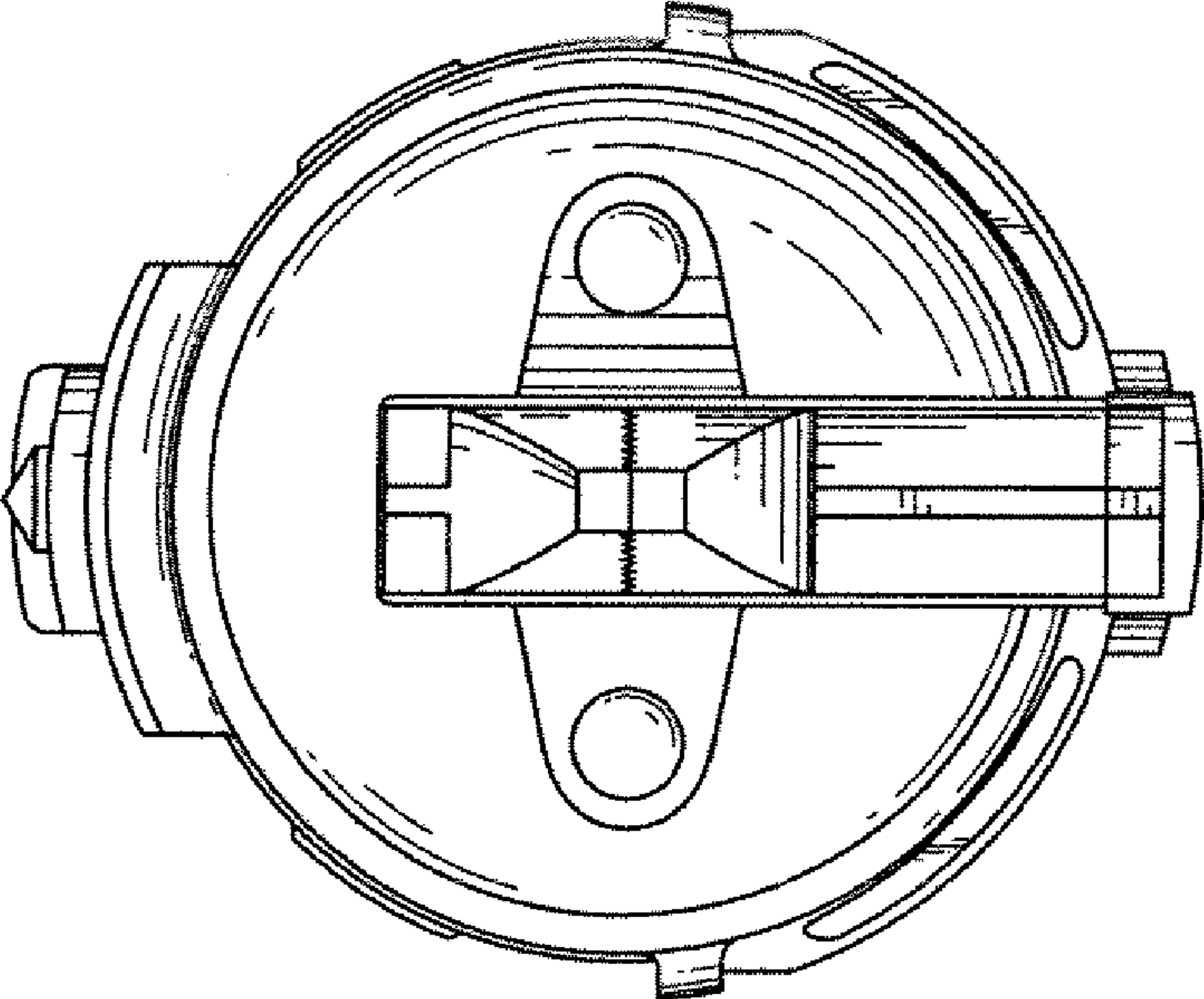


Fig. 7

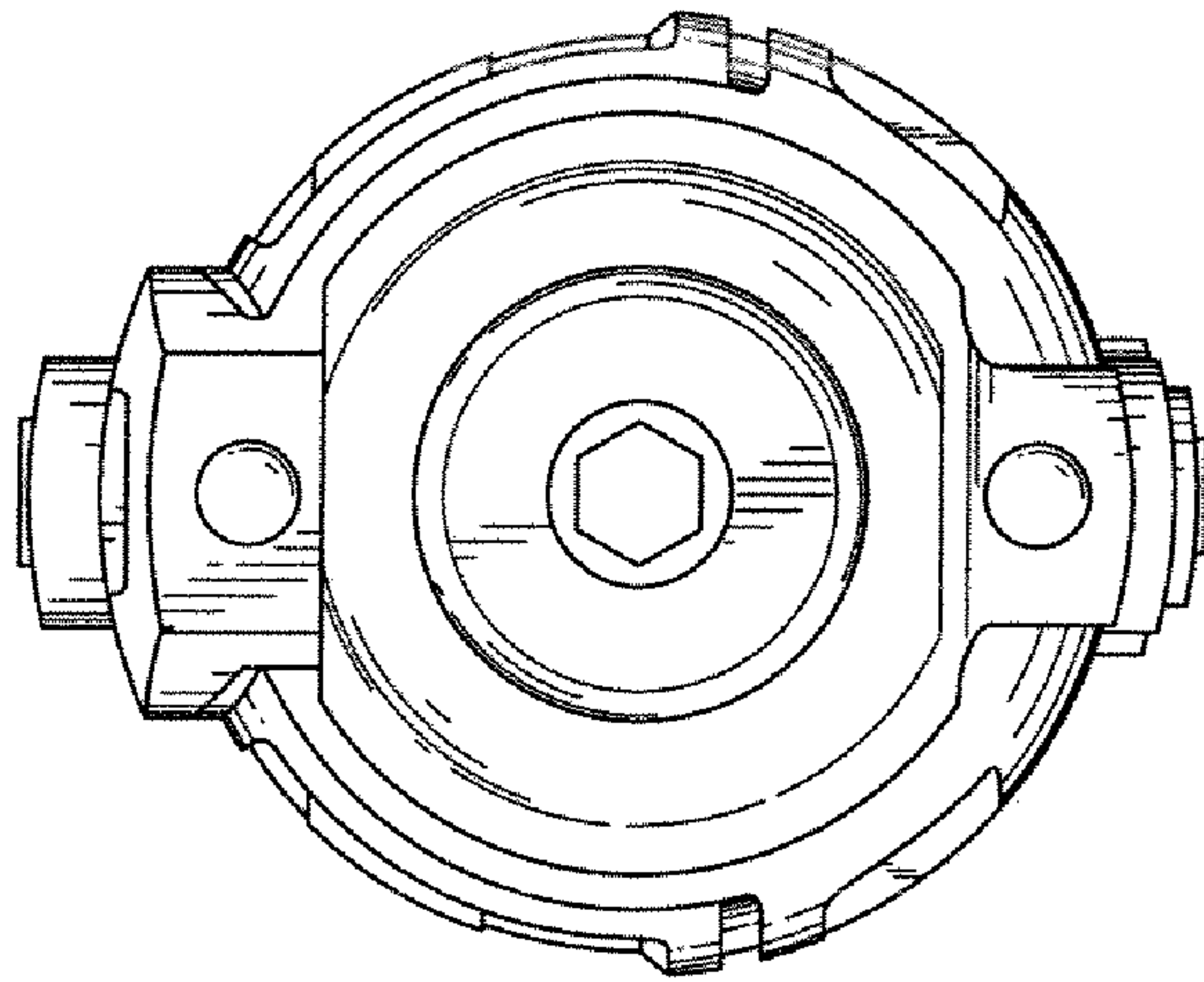


Fig. 8