

US00D570178S

(12) **United States Design Patent**  
**Liu**

(10) **Patent No.:** **US D570,178 S**  
(45) **Date of Patent:** **\*\* Jun. 3, 2008**

(54) **SCREWDRIVER STORAGE BOX**

(76) Inventor: **Yi-Feng Liu**, No. 7, Lane 56,  
Zhongzheng Rd., Xinzhuang City,  
Taipei County (TW)

(\*\*) Term: **14 Years**

(21) Appl. No.: **29/265,187**

(22) Filed: **Aug. 28, 2006**

(51) **LOC (8) Cl.** ..... **08-05**

(52) **U.S. Cl.** ..... **D8/85**

(58) **Field of Classification Search** ..... D8/71,  
D8/82, 83, 84, 85, 87, 107, 105; D9/415;  
D3/315; 206/373, 374, 375; 81/177.4, 439  
See application file for complete search history.

(56) **References Cited**

**U.S. PATENT DOCUMENTS**

4,572,038	A *	2/1986	Graham	.....	81/439
D331,498	S *	12/1992	Chen	.....	D3/228
5,484,057	A *	1/1996	Tzu-Ching	.....	206/374
5,512,165	A *	4/1996	Liu	.....	206/234
D370,781	S *	6/1996	Vasudeva	.....	D3/284
D374,387	S *	10/1996	Schaffer	.....	D8/85
D388,681	S *	1/1998	Schaffer et al.	.....	D8/85
D405,335	S *	2/1999	Lin	.....	D8/82

D413,260	S *	8/1999	Vasudeva	.....	D9/415
6,050,409	A *	4/2000	Delbeck et al.	.....	206/375
D429,461	S *	8/2000	Rowlay	.....	D9/415
D433,627	S *	11/2000	Vasudeva	.....	D9/415
D537,253	S *	2/2007	Chen	.....	D3/315

\* cited by examiner

*Primary Examiner*—Philip S Hyder

(74) *Attorney, Agent, or Firm*—Muncy, Geissler, Olds & Lowe, PLLC

(57) **CLAIM**

The ornamental design for the “screwdriver storage box,” as shown and described.

**DESCRIPTION**

FIG. 1 is a perspective view of “screwdriver storage box” showing my new design thereof;

FIG. 2 is a front side elevational view thereof;

FIG. 3 is a rear side elevational view thereof;

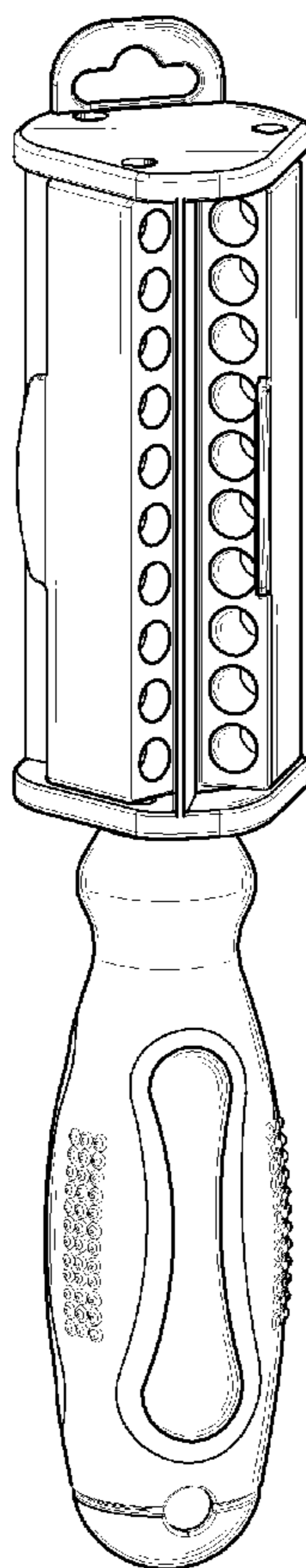
FIG. 4 is a left side elevational view thereof;

FIG. 5 is a right side elevational view thereof;

FIG. 6 is a top plan view thereof; and,

FIG. 7 is a bottom plan view thereof.

**1 Claim, 6 Drawing Sheets**



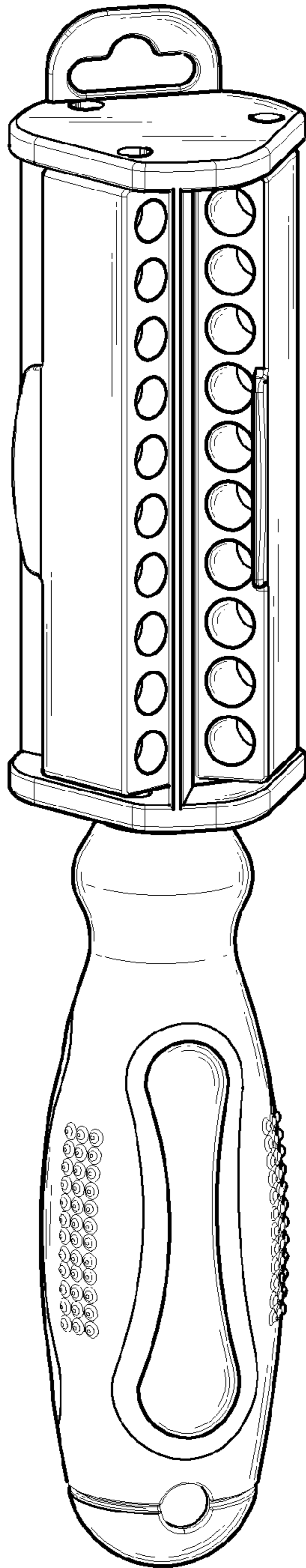


Fig . 1

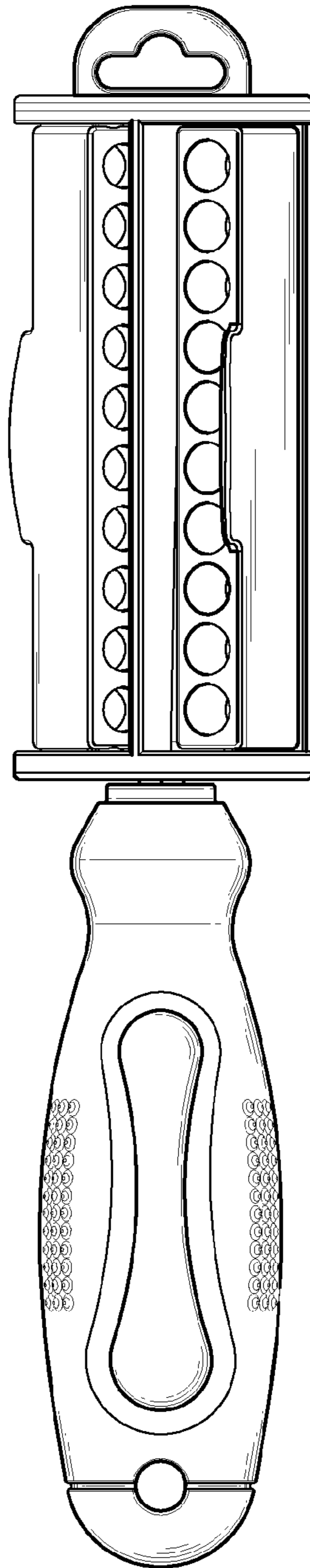


Fig . 2

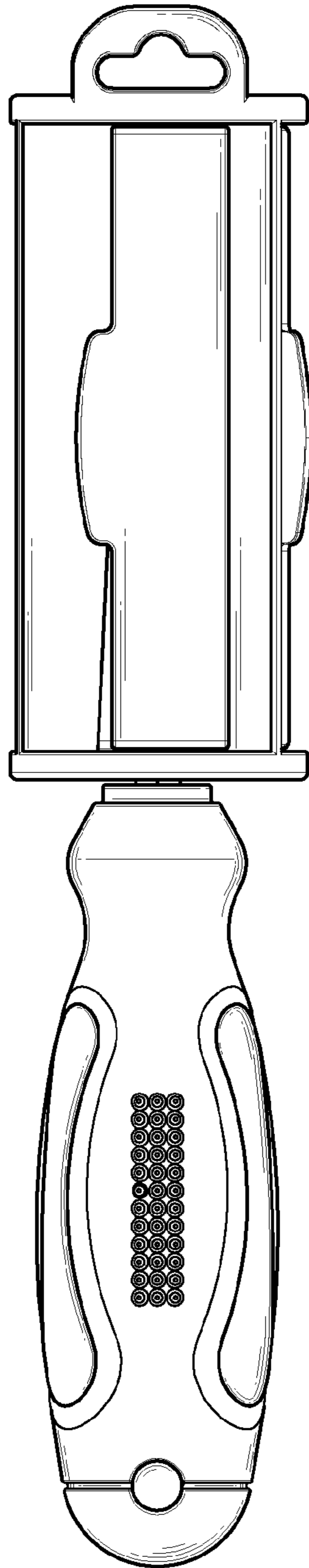


Fig . 3

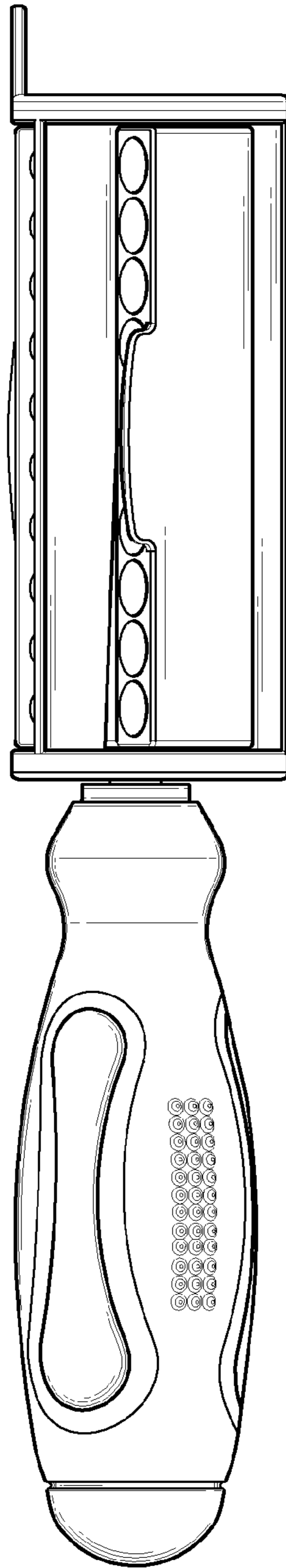


Fig . 4

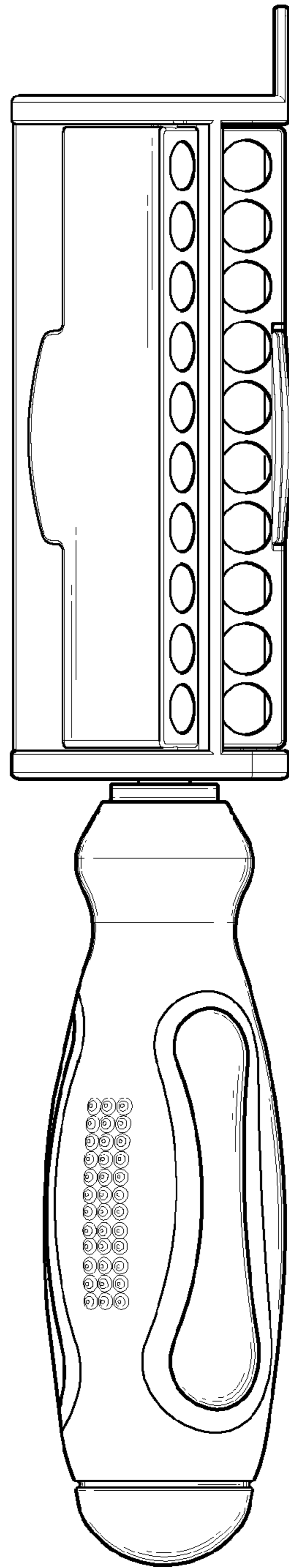


Fig . 5

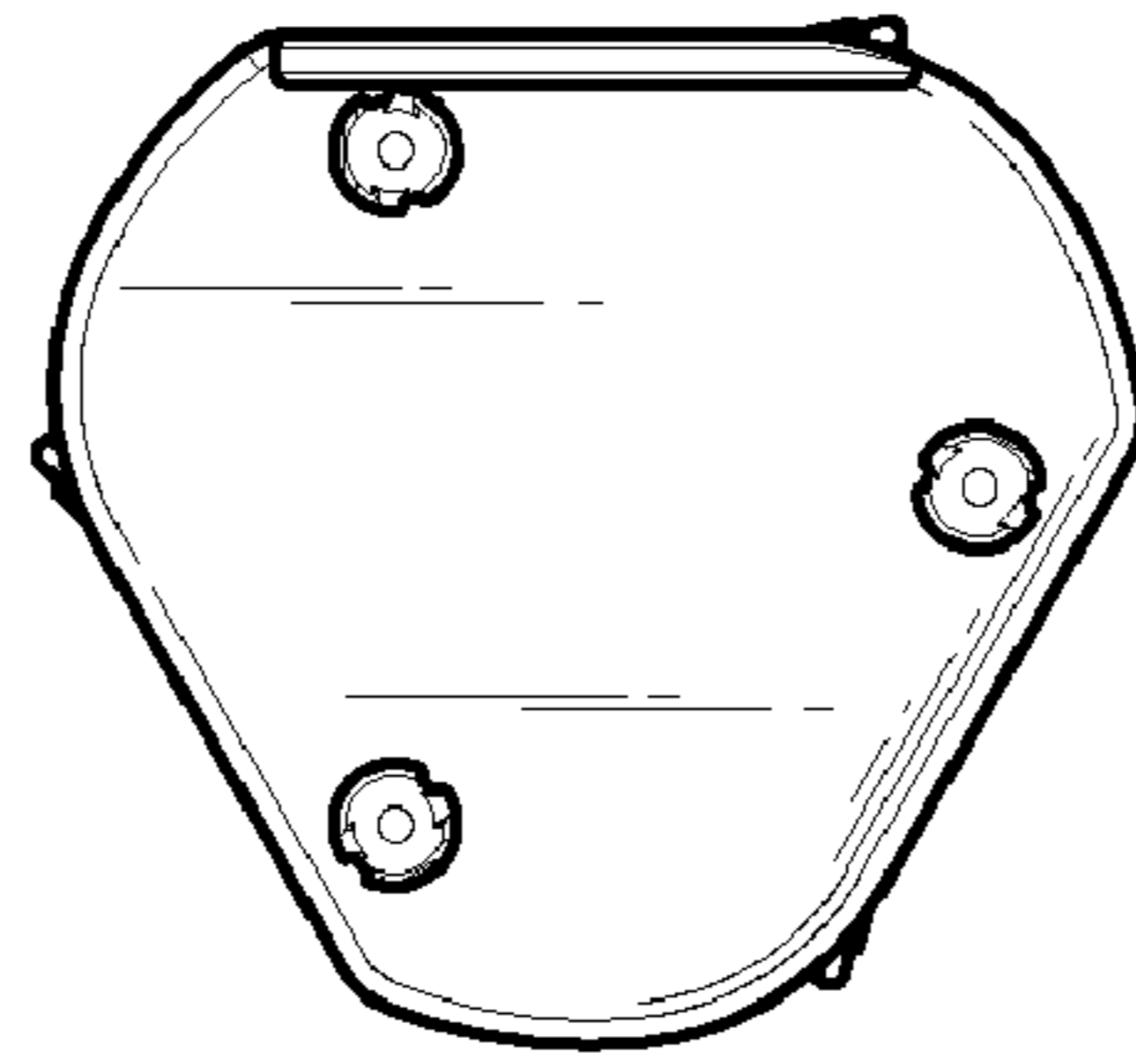


Fig . 6

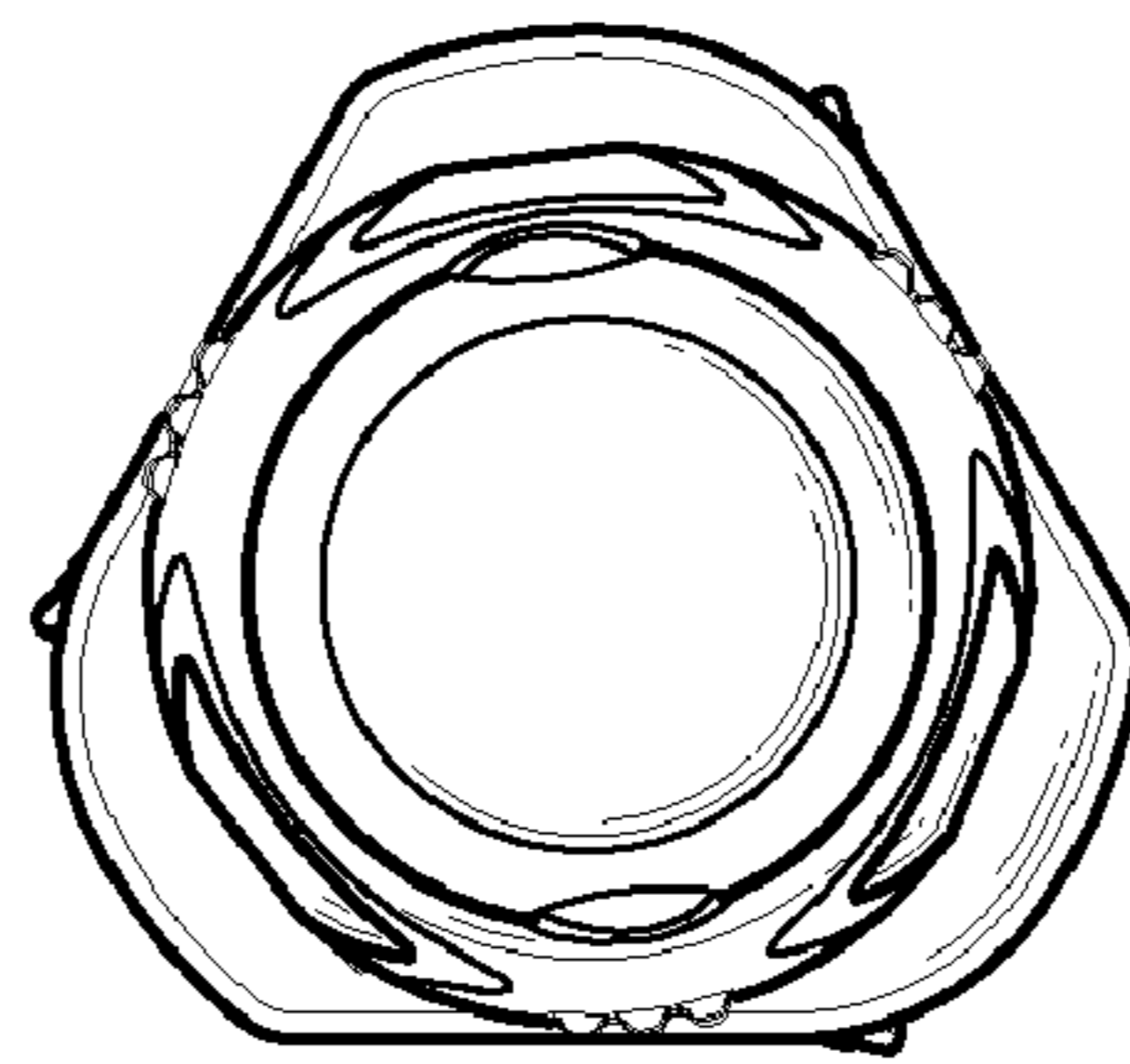


Fig . 7