

US00D570177S

(12) **United States Design Patent**
McMorris et al.

(10) **Patent No.:** **US D570,177 S**
(45) **Date of Patent:** **** Jun. 3, 2008**

(54) **DOOR HOLDING TOOL/DOORSTAND**

(76) Inventors: **Sandra McMorris**, P.O. Box 297186,
Pembroke Pines, FL (US) 33029; **Glen**
McMorris, P.O. Box 297186, Pembroke
Pines, FL (US) 33029

(**) Term: **14 Years**

(21) Appl. No.: **29/279,290**

(22) Filed: **Apr. 25, 2007**

(51) **LOC (8) Cl.** **08-05**

(52) **U.S. Cl.** **D8/71**

(58) **Field of Classification Search** D8/70-74,
D8/349, 354, 355, 373, 395, 14; D3/315;
D6/553; D15/130, 132, 135, 136, 138-141,
D15/144.1, 144.2; D19/78; 206/349, 372,
206/373; 211/70.1, 70.6; 220/696; 294/19.1,
294/27.1, 86.4; 299/104, 106; 16/429; 29/527.1,
29/527.5; 248/229.15

See application file for complete search history.

(56) **References Cited**

U.S. PATENT DOCUMENTS

1,555,129	A *	9/1925	Lipsius	292/343
D139,831	S *	12/1944	Posnack	D19/78
D210,638	S *	3/1968	Greenfield	D8/71
D224,049	S *	6/1972	Rose	D15/136
D229,283	S *	11/1973	Docherty	D8/71
3,914,063	A *	10/1975	Papayoti	403/217
4,296,524	A *	10/1981	Horholt et al.	16/225
D263,730	S *	4/1982	Oribin	D21/839
D270,256	S *	8/1983	Sankey	D19/77

D289,367	S *	4/1987	Secor	D8/71
D296,162	S *	6/1988	Allen et al.	D6/407
D299,361	S *	1/1989	Lothe	D19/90
D305,567	S *	1/1990	Scott	D25/67
D307,159	S *	4/1990	Foran et al.	D19/90
D387,922	S *	12/1997	Dormon et al.	D6/418
D408,701	S *	4/1999	Marcus	D8/72
D462,601	S *	9/2002	Chaney	D8/354
D492,575	S *	7/2004	Carroll et al.	D8/354

OTHER PUBLICATIONS

RCD-000124433-0001, Dec. 2003, United Kingdom, Stevens, Colin John.*

* cited by examiner

Primary Examiner—T. Chase Nelson

Assistant Examiner—Karen Acker

(57) **CLAIM**

The ornamental design for a door holding tool/doorstand, as shown and described.

DESCRIPTION

FIG. 1 is a perspective view of a door holding tool/doorstand, showing our new design;

FIG. 2 is a front elevational view of the invention;

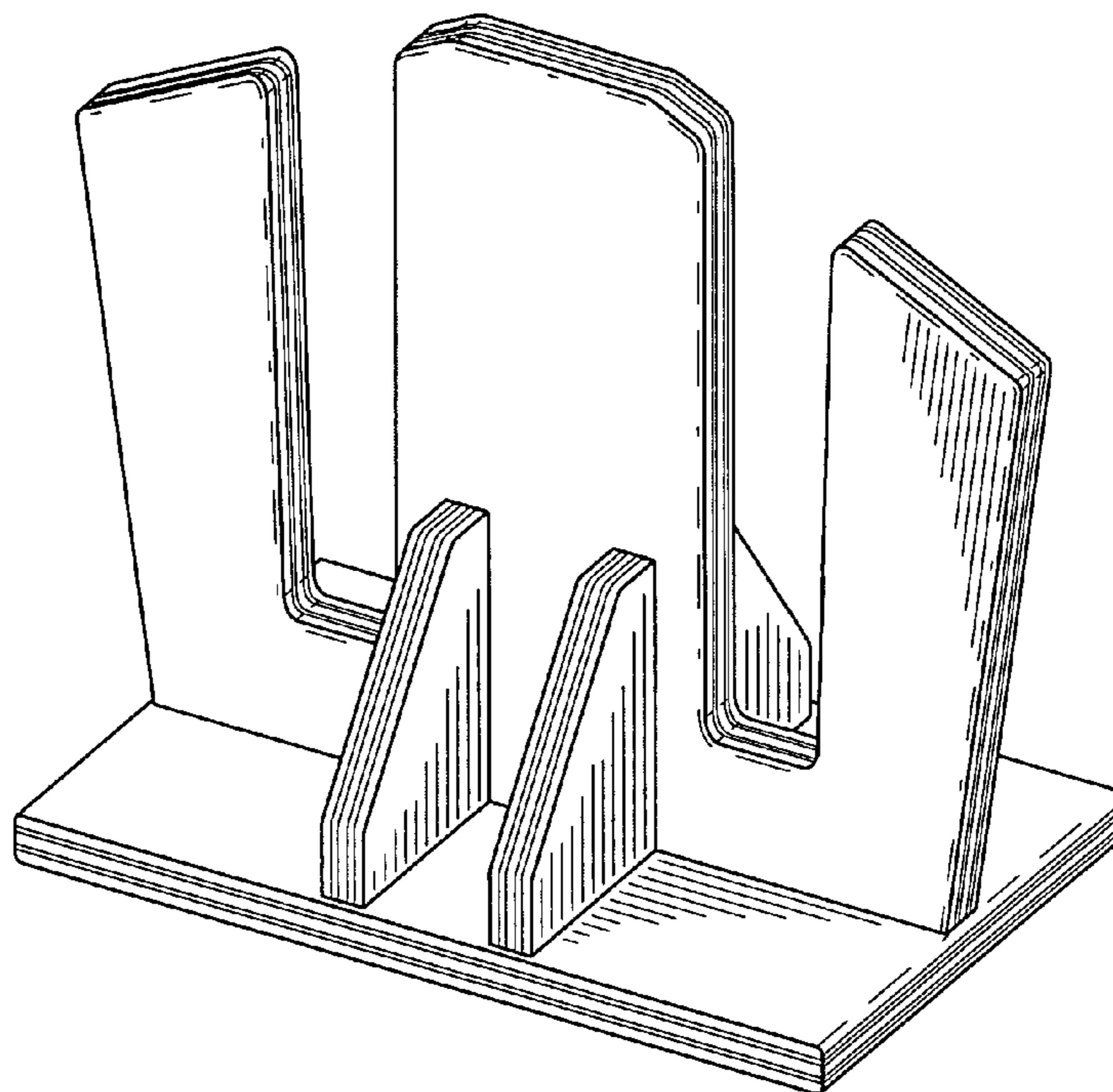
FIG. 3 is a rear elevational view of the invention;

FIG. 4 is a left-side elevational view of the invention, the right-side elevational view being a mirror image thereof;

FIG. 5 is a top plan view of the invention; and,

FIG. 6 is a bottom plan view of the invention.

1 Claim, 2 Drawing Sheets



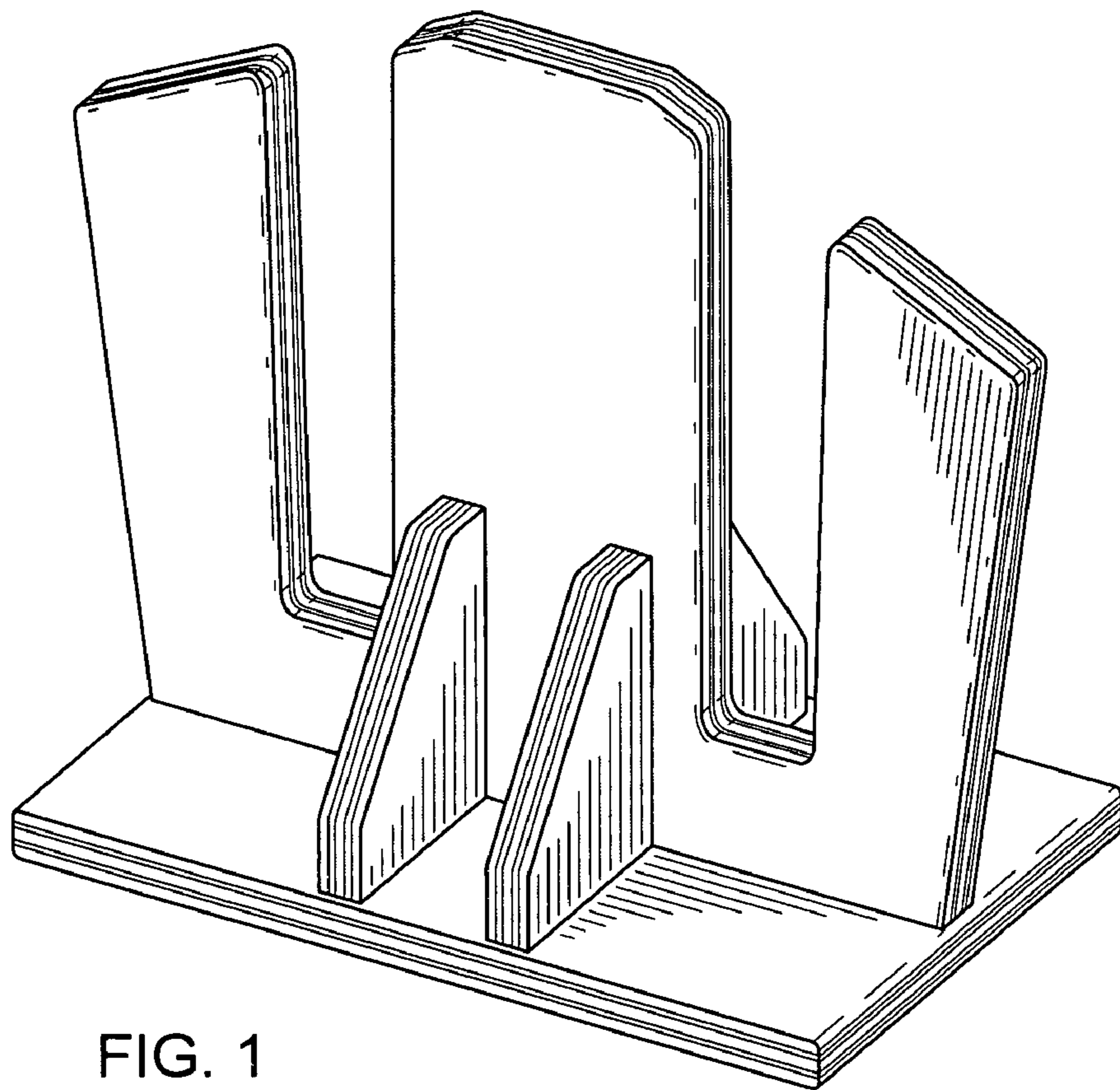


FIG. 1

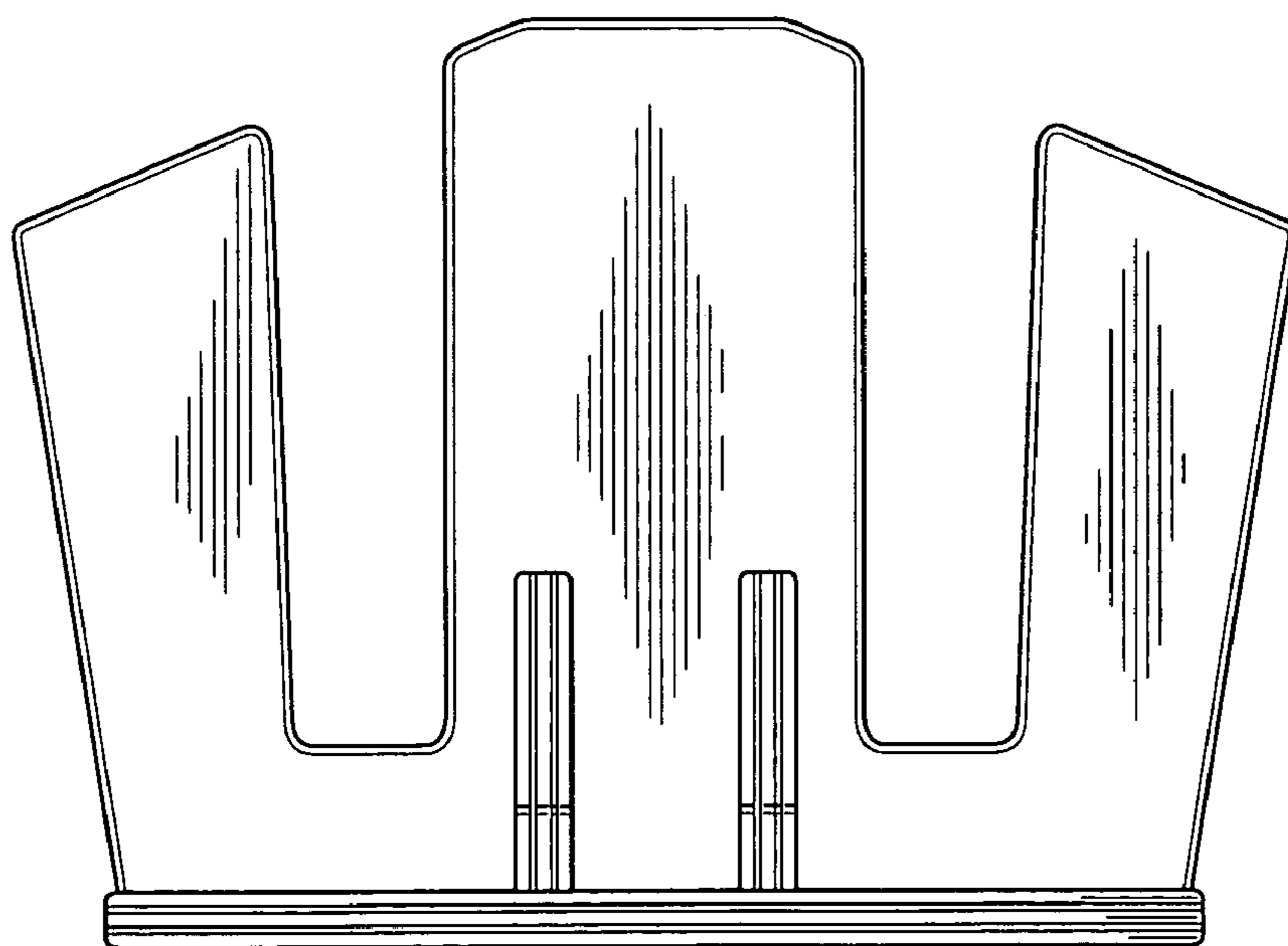


FIG. 2

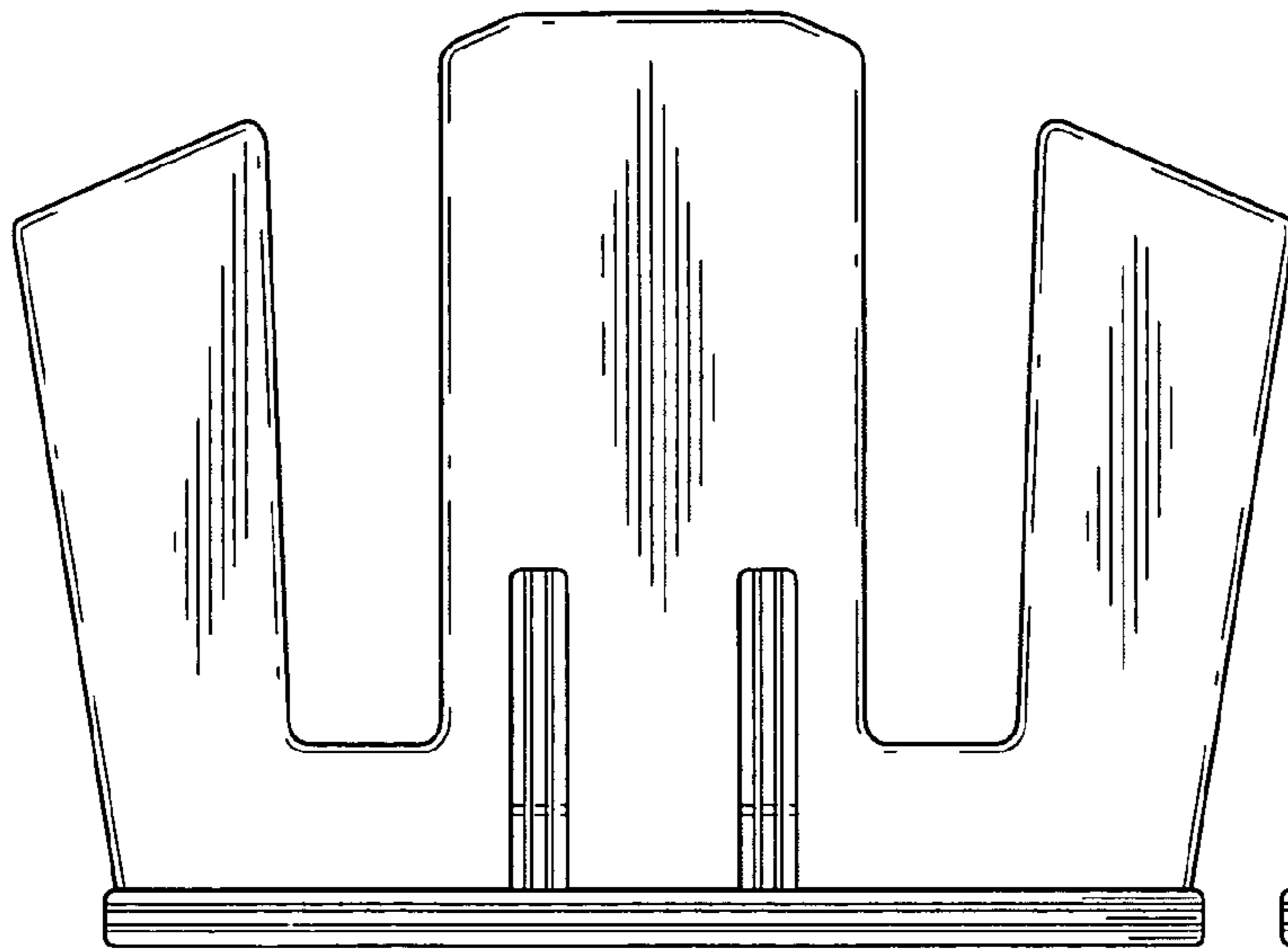


FIG. 3

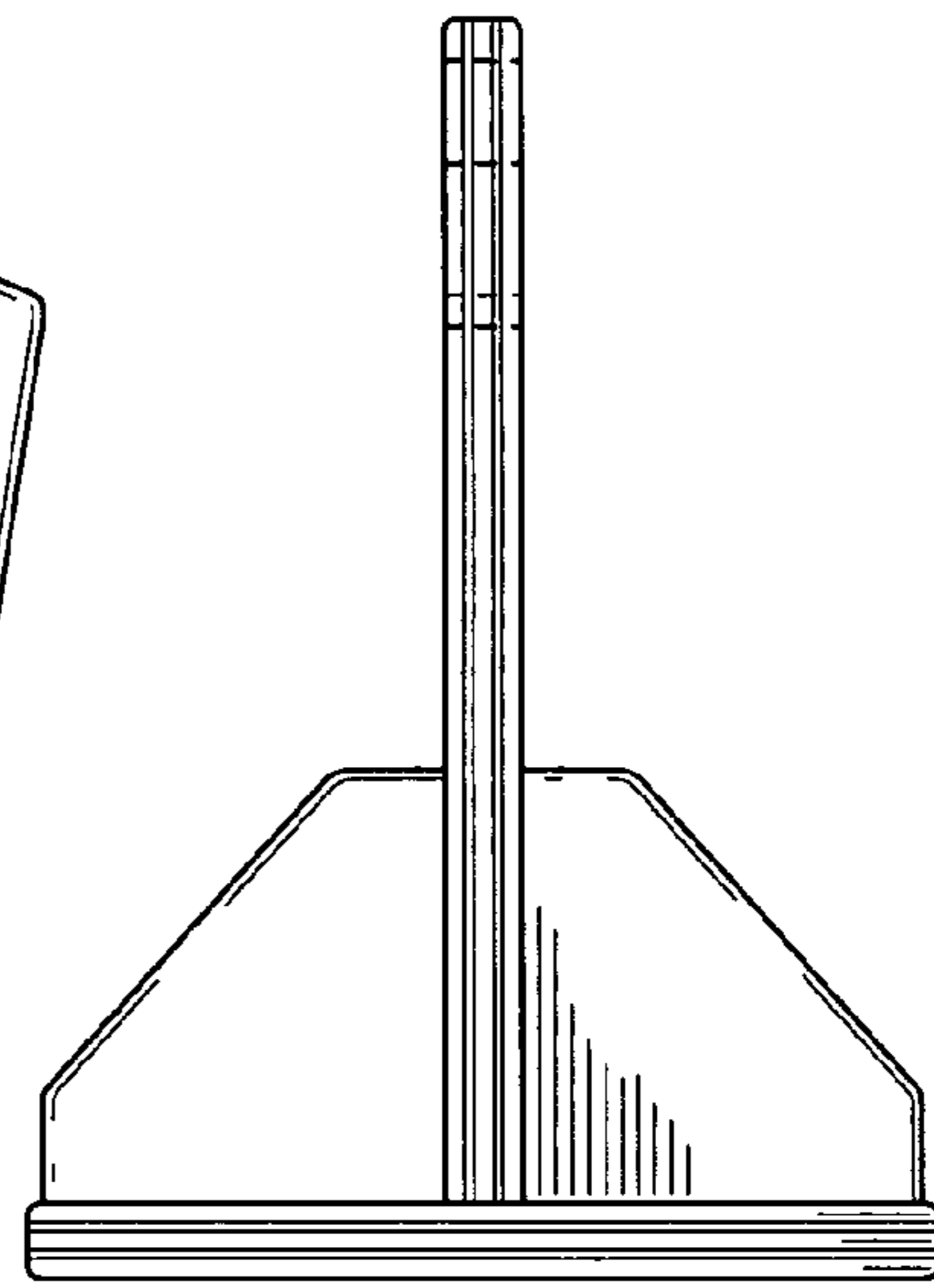


FIG. 4

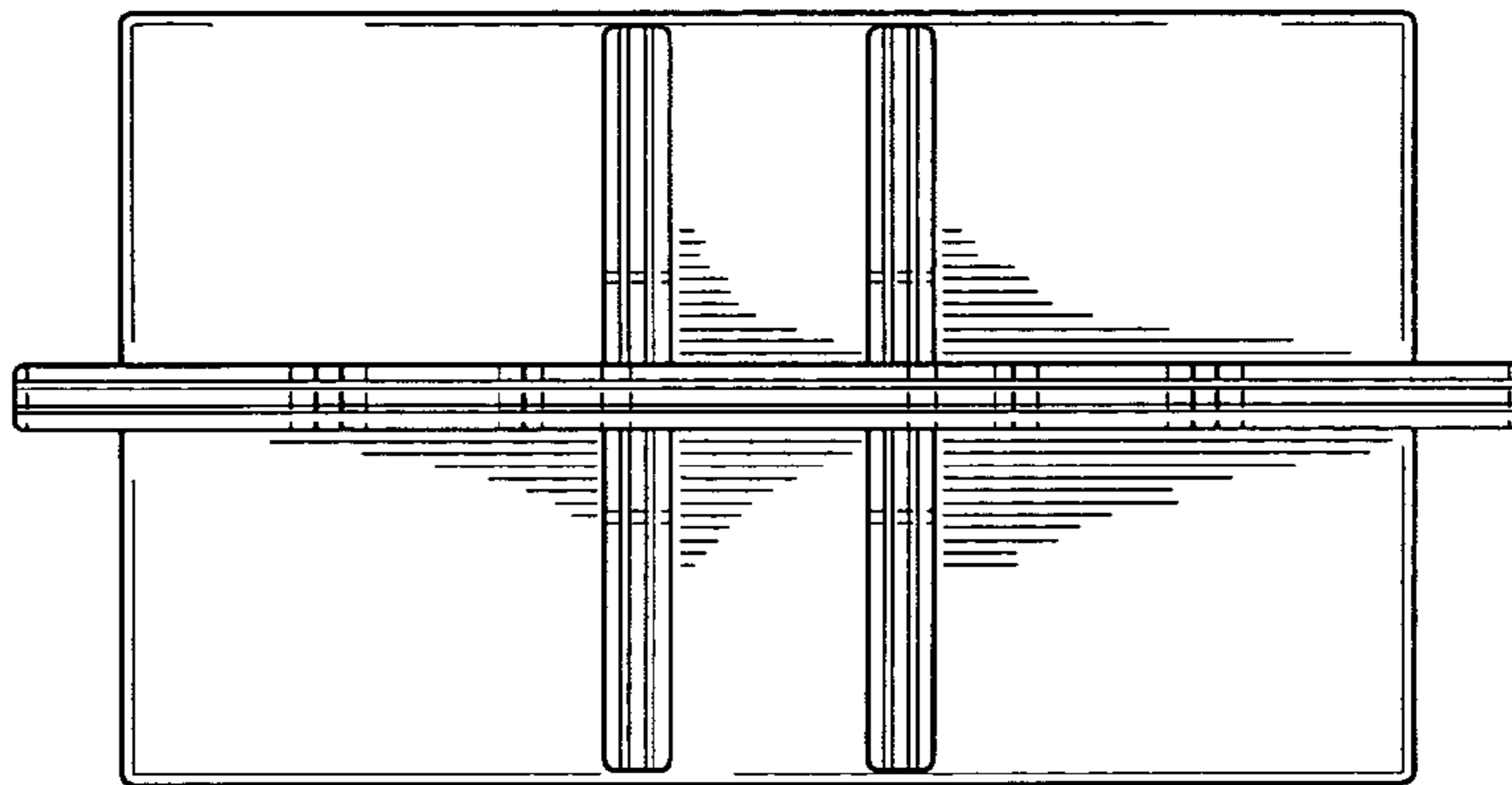


FIG. 5

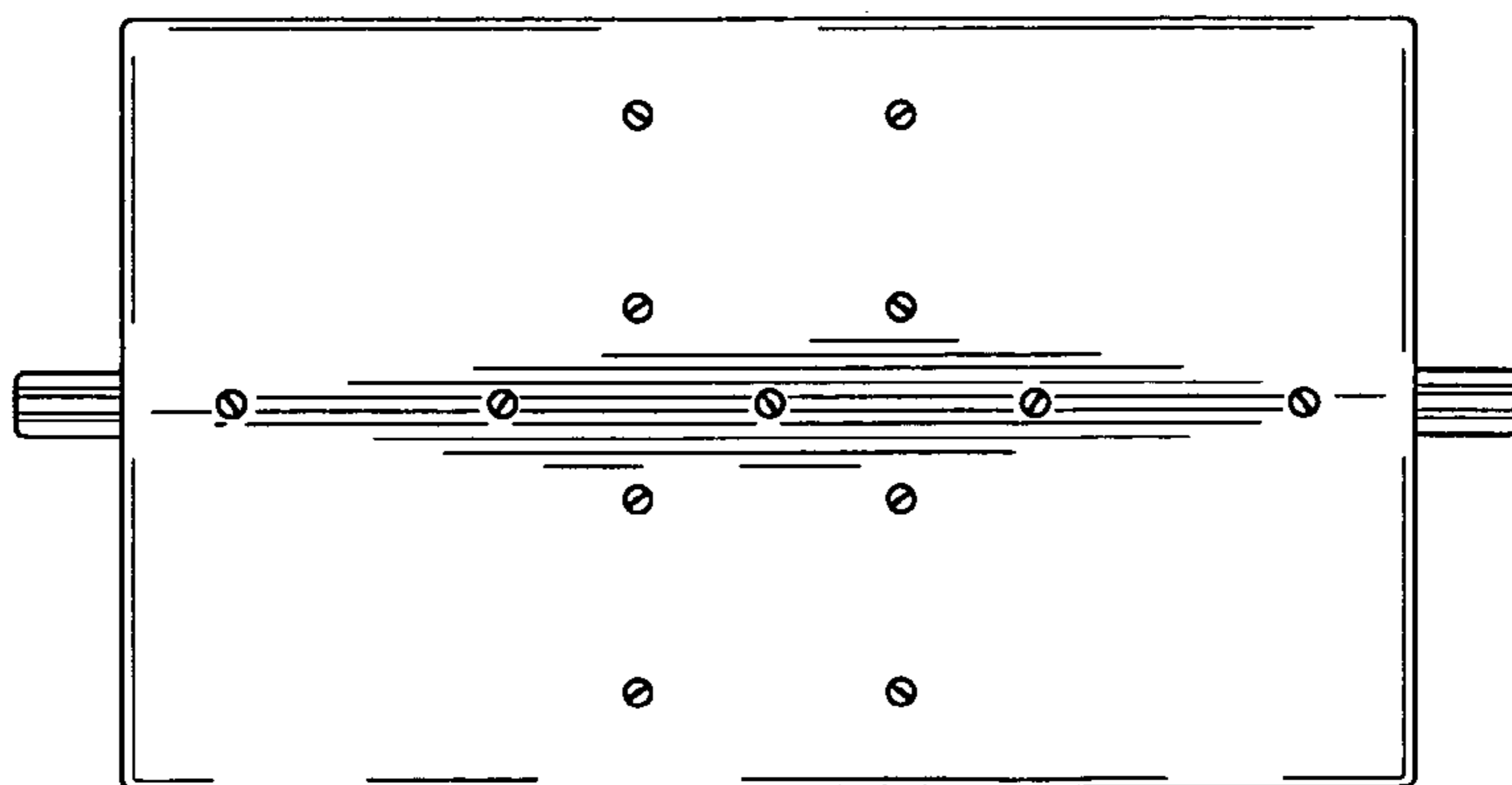


FIG. 6