

US00D570176S

(12) **United States Design Patent**
Franchini

(10) **Patent No.:** **US D570,176 S**

(45) **Date of Patent:** **** Jun. 3, 2008**

(54) **CONNECTING CLAMP**

(75) Inventor: **Gian Carlo Franchini**, Correggio (IT)

(73) Assignee: **Elesa S.p.A.**, Milan (IT)

(**) Term: **14 Years**

(21) Appl. No.: **29/203,614**

(22) Filed: **Apr. 16, 2004**

(30) **Foreign Application Priority Data**

Oct. 20, 2003 (EM) 89669

(51) **LOC (8) Cl.** **08-05**

(52) **U.S. Cl.** **D8/71**

(58) **Field of Classification Search** D8/71,
D8/72, 354, 355, 380, 373, 396, 382; 81/340,
81/484, 487, 488, 4; 248/323, 324, 59, 74.1,
248/511, 514, 519, 521, 539, 917, 124.2,
248/276.1; 204/297.09; 403/385; 359/383;
362/296; D26/138

See application file for complete search history.

(56) **References Cited**

U.S. PATENT DOCUMENTS

1,643,697	A *	9/1927	Christy	362/296
2,124,006	A *	7/1938	Parker	248/124.2
2,255,630	A *	9/1941	Sass	359/383
2,310,276	A *	2/1943	Bilz	403/385
2,530,123	A *	11/1950	Ingwer	248/124.2
2,733,035	A *	1/1956	Rocheleau	248/124.2
3,952,982	A *	4/1976	Lewis	248/124.2
D304,904	S *	12/1989	Kercher	D8/380
D345,814	S *	4/1994	Wright, III	D26/138
D355,582	S *	2/1995	Sleight	D8/354

D358,085	S *	5/1995	Siragusa et al.	D8/382
D364,555	S *	11/1995	Neiert	D8/396
D413,842	S *	9/1999	Garven, Jr.	D12/133
6,342,138	B1 *	1/2002	Brown	204/297.09
D505,617	S *	5/2005	Eason	D8/396
2004/0079849	A1 *	4/2004	Rudolf	248/276.1

* cited by examiner

Primary Examiner—Louis Zarfes

Assistant Examiner—David Muller

(74) *Attorney, Agent, or Firm*—Pearne & Gordon LLP

(57) **CLAIM**

The ornamental design for a connecting clamp, as shown and described.

DESCRIPTION

FIG. 1 is a perspective view of my new design for a connecting clamp;

FIG. 2 is a front view of FIG. 1;

FIG. 3 is a right side view of FIG. 1;

FIG. 4 is a top view of FIG. 1;

FIG. 5 is a bottom view of FIG. 1;

FIG. 6 is a back view of FIG. 1;

FIG. 7 is a left side view of FIG. 1;

FIG. 8 is an exploded view of FIG. 1;

FIG. 9 is a second perspective view of FIG. 1, showing a connecting part of the connecting clamp in an alternative position; and,

FIG. 10 is a third perspective view of FIG. 1 showing a base part of the connecting clamp in a rotated position.

1 Claim, 8 Drawing Sheets

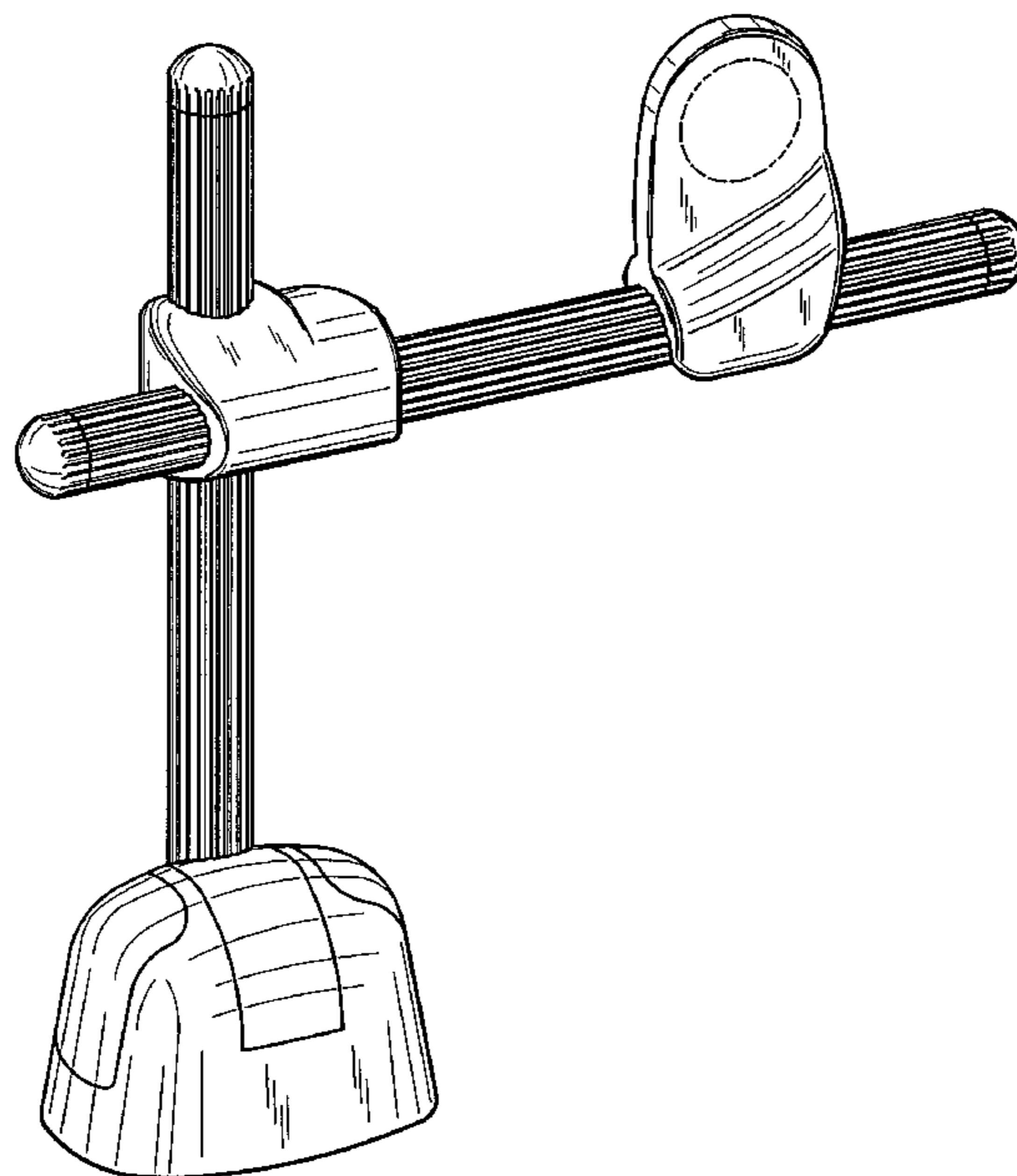
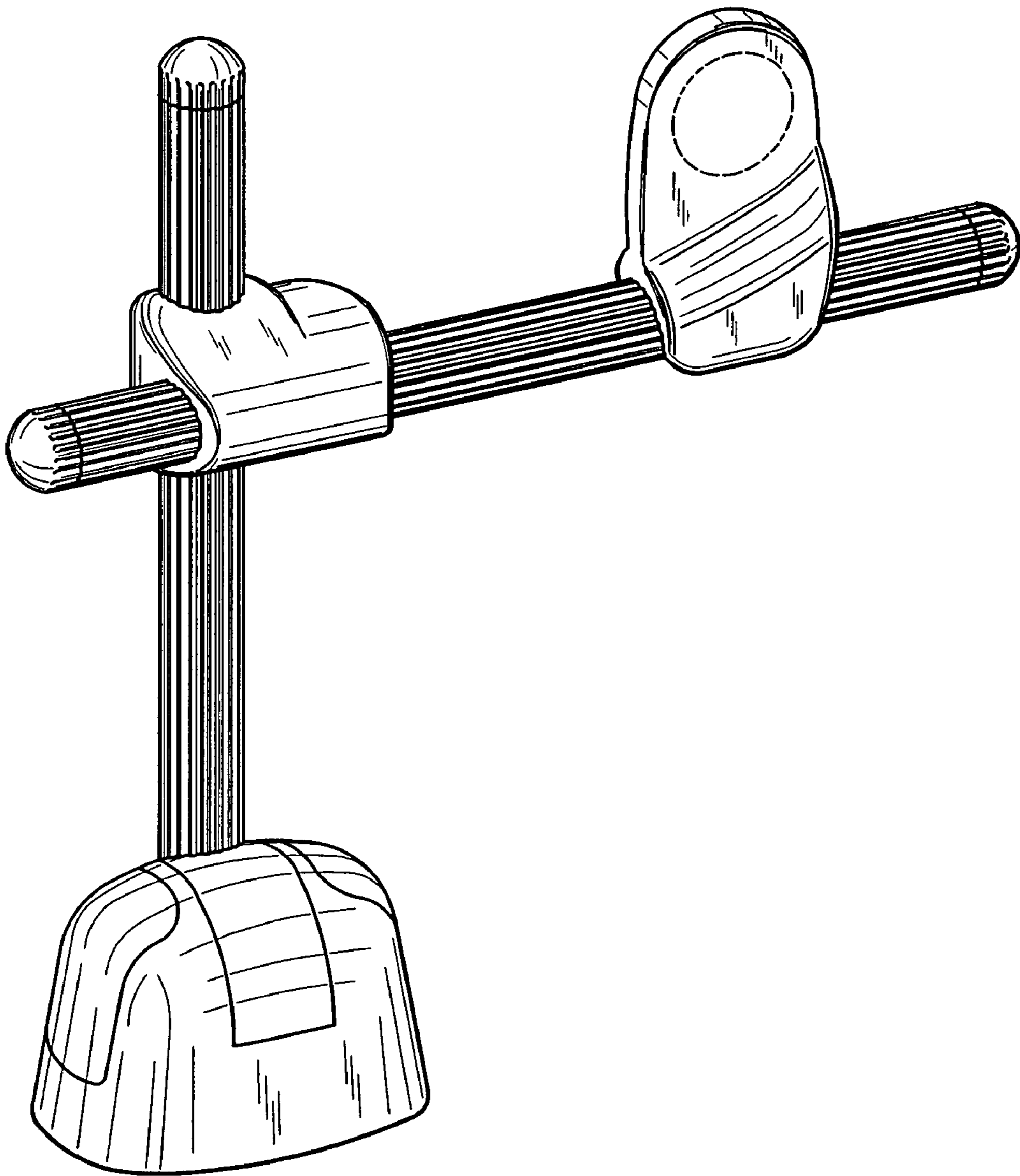


FIG. 1



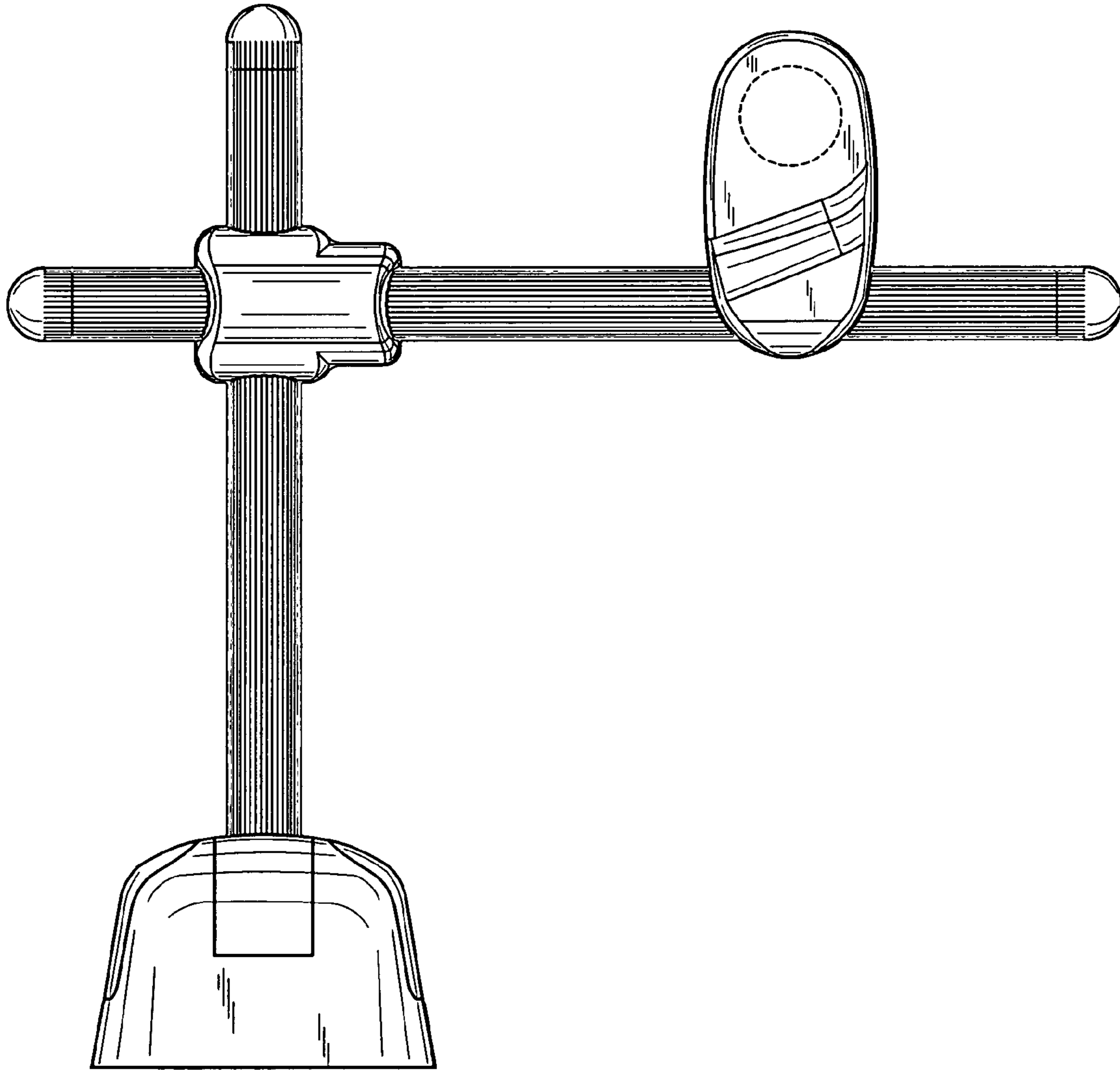


FIG. 2

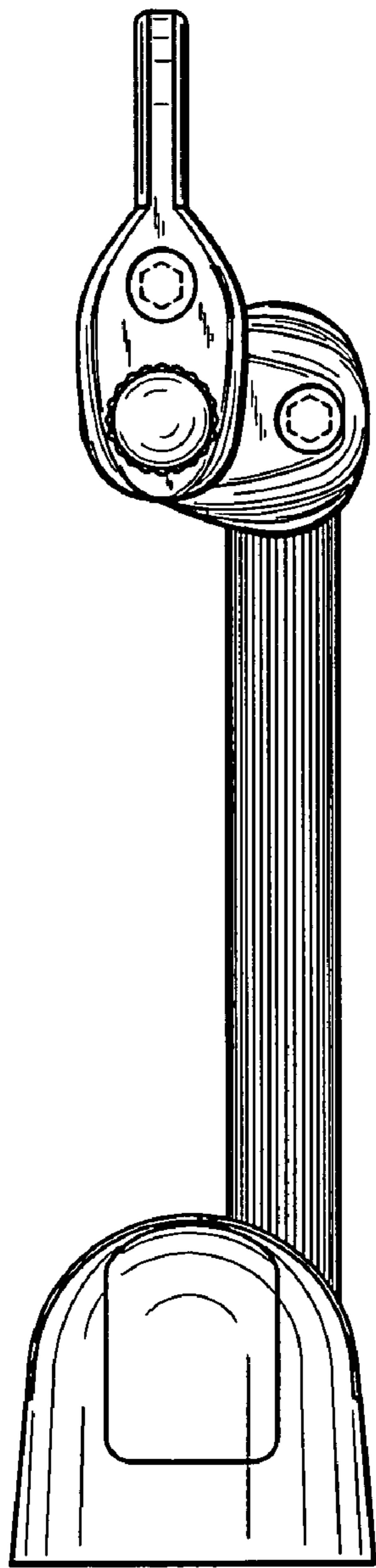


FIG. 3

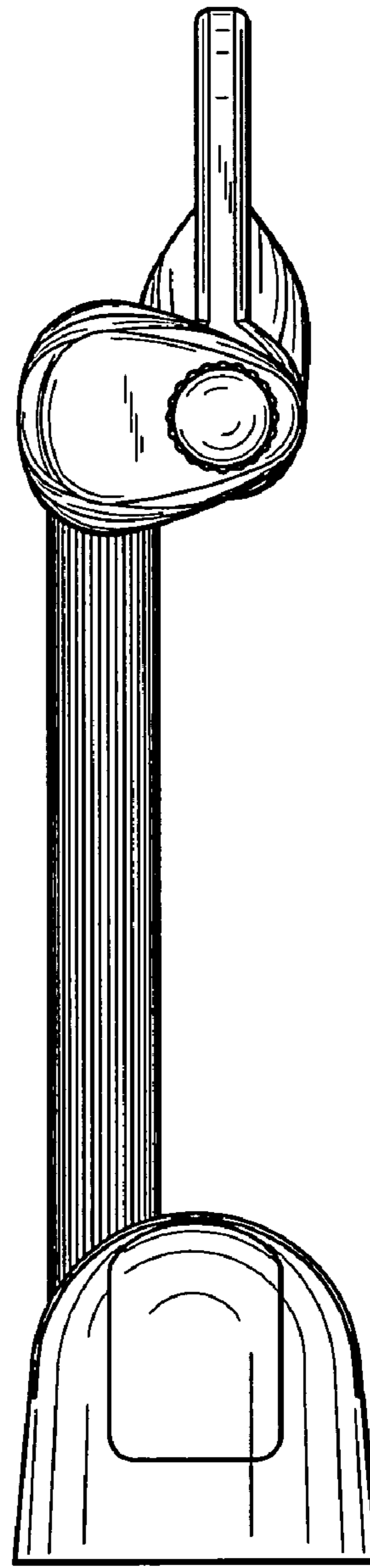


FIG. 7

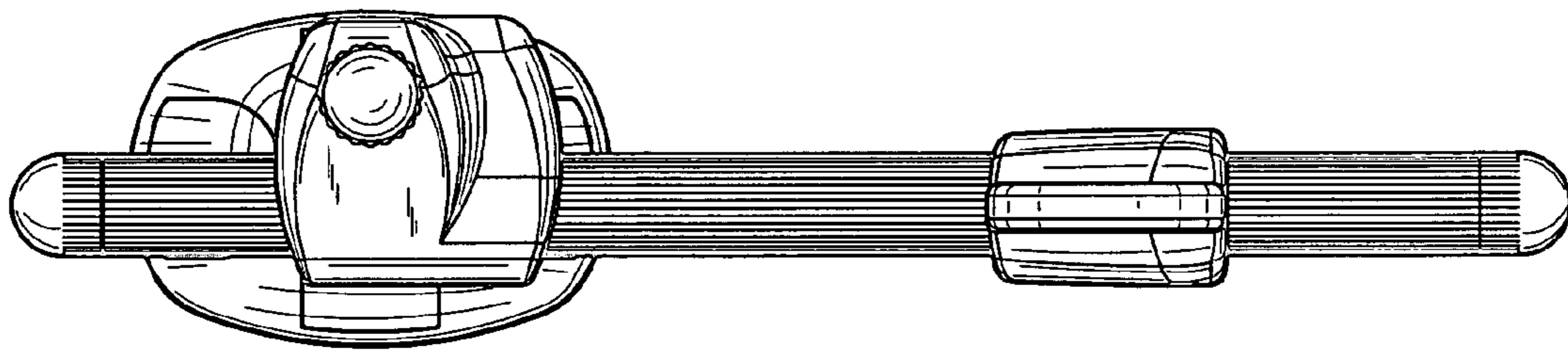


FIG. 4

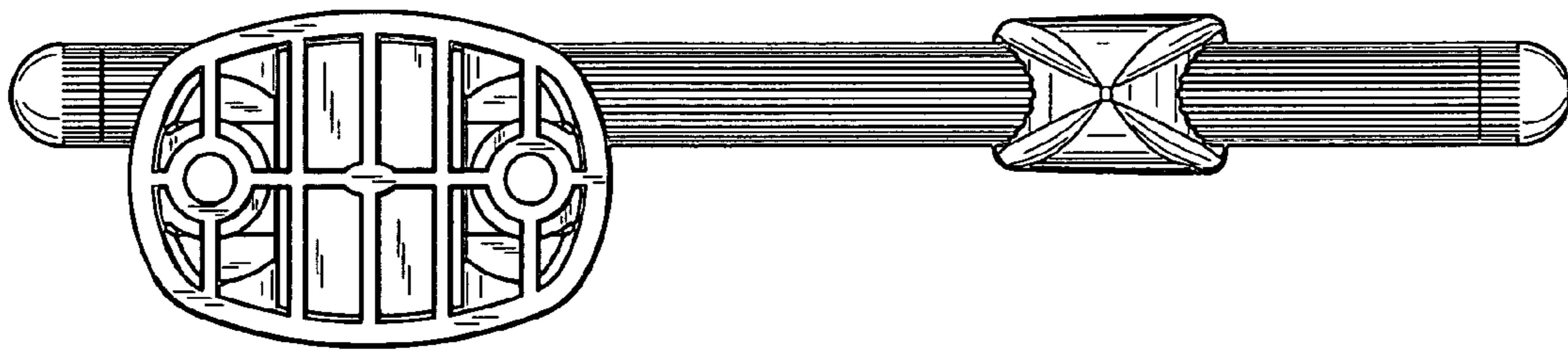


FIG. 5

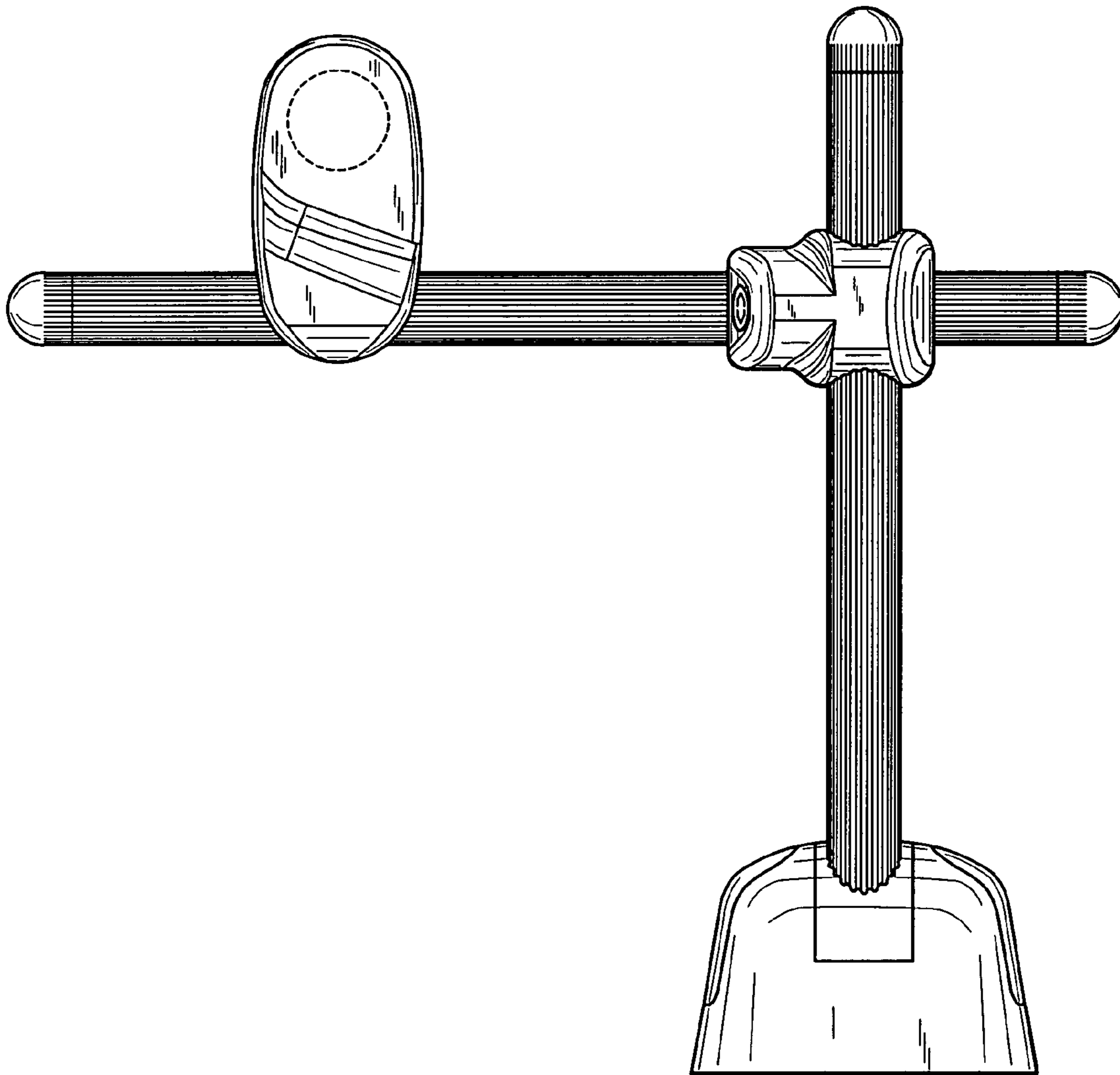


FIG. 6

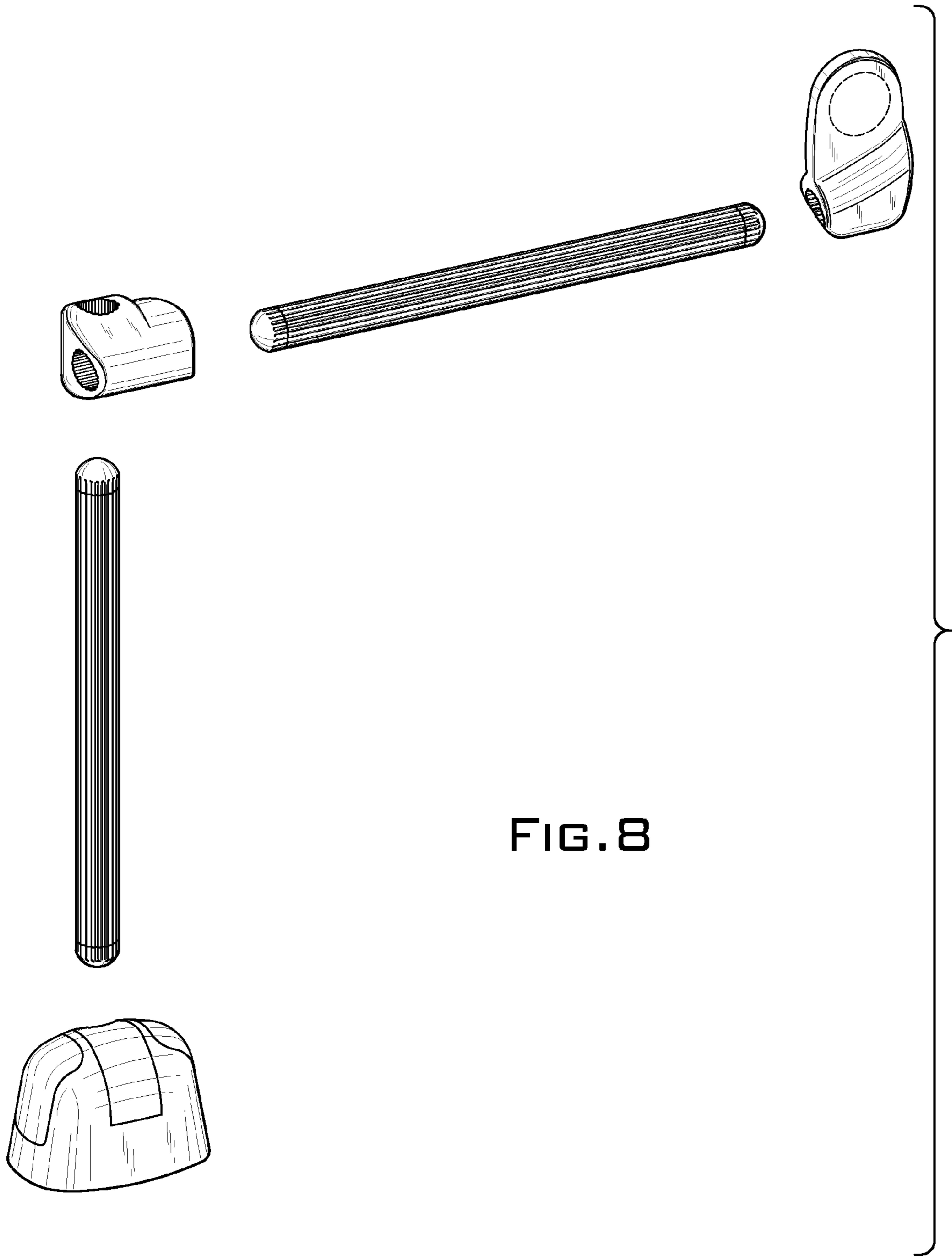


FIG. 9

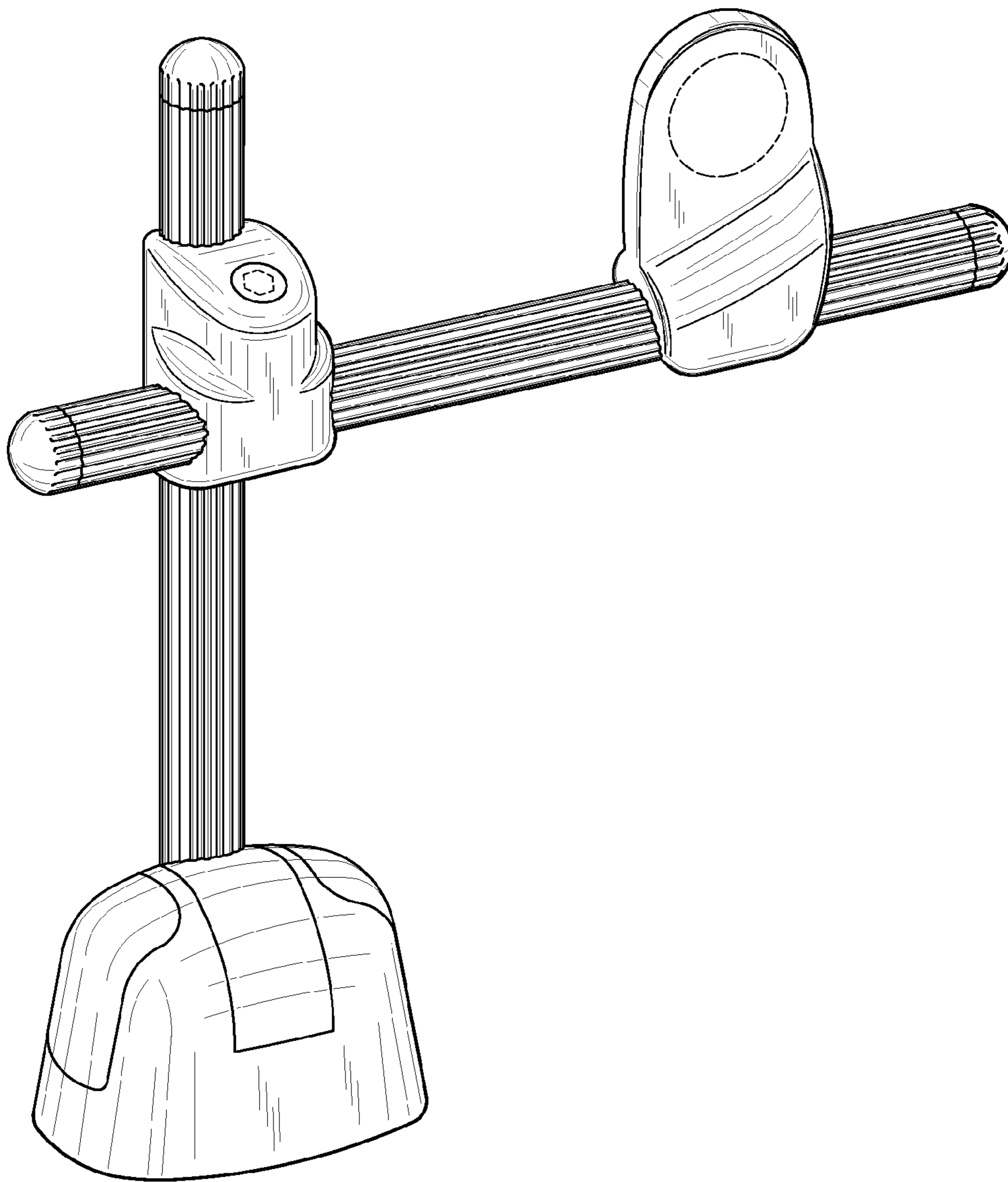


FIG. 10

