

US00D570175S

(12) **United States Design Patent**
Bingham

(10) **Patent No.:** **US D570,175 S**

(45) **Date of Patent:** **** Jun. 3, 2008**

(54) **TOOL ATTACHMENT**

(76) **Inventor:** **Everett D. Bingham**, 220 Joy St., Los Angeles, CA (US) 90042

(**) **Term:** **14 Years**

(21) **Appl. No.:** **29/254,511**

(22) **Filed:** **Feb. 23, 2006**

(51) **LOC (8) Cl.** **08-05**

(52) **U.S. Cl.** **D8/70**

(58) **Field of Classification Search** D8/61-71,
D8/90, 363; D15/124-126, 138-140; D12/207,
D12/223; 83/665; 451/324, 342, 357-360,
451/364, 406, 420-423, 547-549

See application file for complete search history.

(56) **References Cited**

U.S. PATENT DOCUMENTS

D185,159	S	*	5/1959	Long et al.	D8/67
2,997,819	A	*	8/1961	Schacht	451/510
3,160,995	A	*	12/1964	Danuski, Jr.	451/356
3,490,183	A	*	1/1970	Briggs	451/488
4,090,346	A	*	5/1978	Doi	56/13.6
4,186,239	A	*	1/1980	Mize et al.	428/399
4,561,217	A	*	12/1985	Steyskal	451/342
4,597,696	A	*	7/1986	Maeda et al.	407/114
D300,599	S	*	4/1989	Ledenican	D8/71
4,988,294	A	*	1/1991	DuBe et al.	433/134
5,058,909	A	*	10/1991	Rudolf et al.	279/8
D326,432	S	*	5/1992	McNulty	D12/223
5,303,688	A	*	4/1994	Chiuminatta et al.	125/15
5,398,457	A	*	3/1995	Updegrave et al.	451/415

5,477,845	A	*	12/1995	Zuzelo	125/15
5,556,327	A	*	9/1996	Jenkins et al.	451/278
5,697,835	A	*	12/1997	Nitz et al.	451/548
6,165,060	A	*	12/2000	Martin et al.	451/356
6,230,600	B1	*	5/2001	Stroud	83/665
D448,717	S	*	10/2001	Hanson et al.	D12/223
6,340,022	B1	*	1/2002	Schroer	125/13.01
D488,696	S	*	4/2004	Merritt	D8/70
D500,976	S	*	1/2005	Baker	D12/207
6,966,824	B2	*	11/2005	Kotting et al.	451/177
7,115,028	B1	*	10/2006	Chen	451/360
2007/0021044	A1	*	1/2007	Allemann et al.	451/342

OTHER PUBLICATIONS

Page 13 of "You Can Fix It" by Jeffrey Larson dated May 2002 from the Family HandyMan found at: [http://www.rd.com/familyhandyman/content/17856\(13of16\)1/22/2008:4:30:42PM](http://www.rd.com/familyhandyman/content/17856(13of16)1/22/2008:4:30:42PM) in search dated Jan. 22, 2008.*

* cited by examiner

Primary Examiner—T. Chase Nelson

Assistant Examiner—Karen Acker

(57) **CLAIM**

The ornamental design for a tool attachment, as shown.

DESCRIPTION

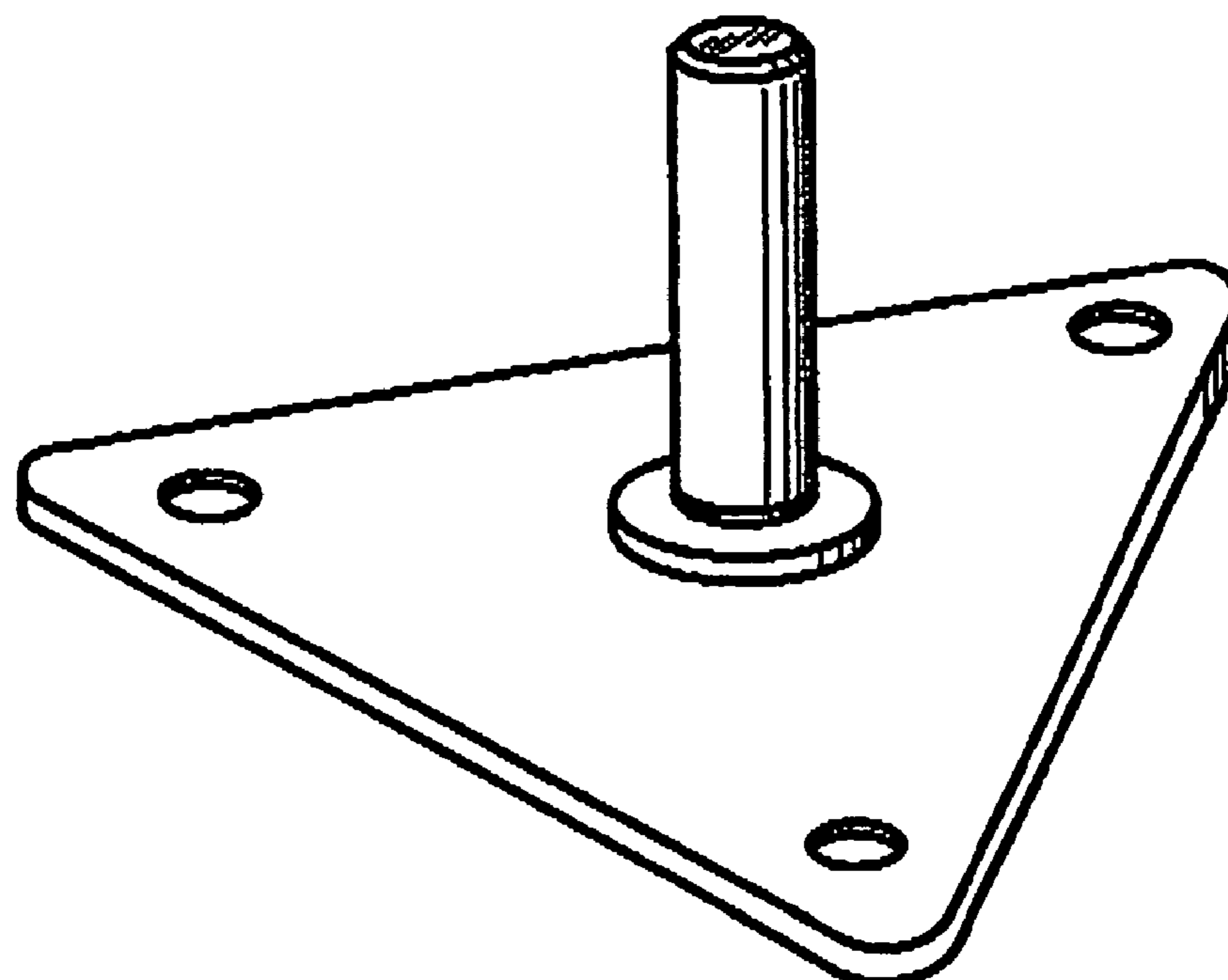
FIG. 1 is a perspective view of a tool attachment showing my new design;

FIG. 2 is a front view thereof;

FIG. 3 is a top plan view thereof; and,

FIG. 4 is a bottom plan view thereof.

1 Claim, 1 Drawing Sheet



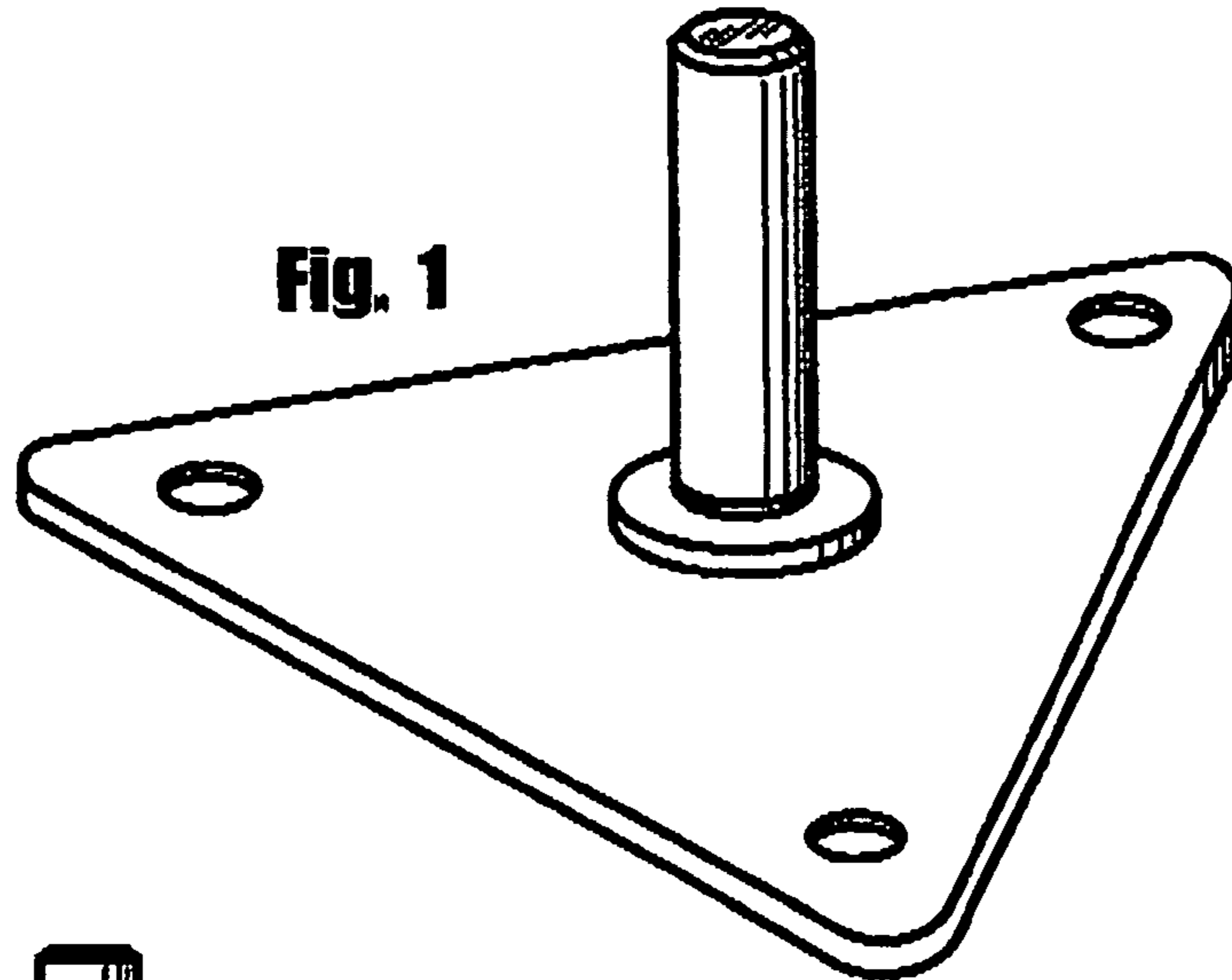


Fig. 1

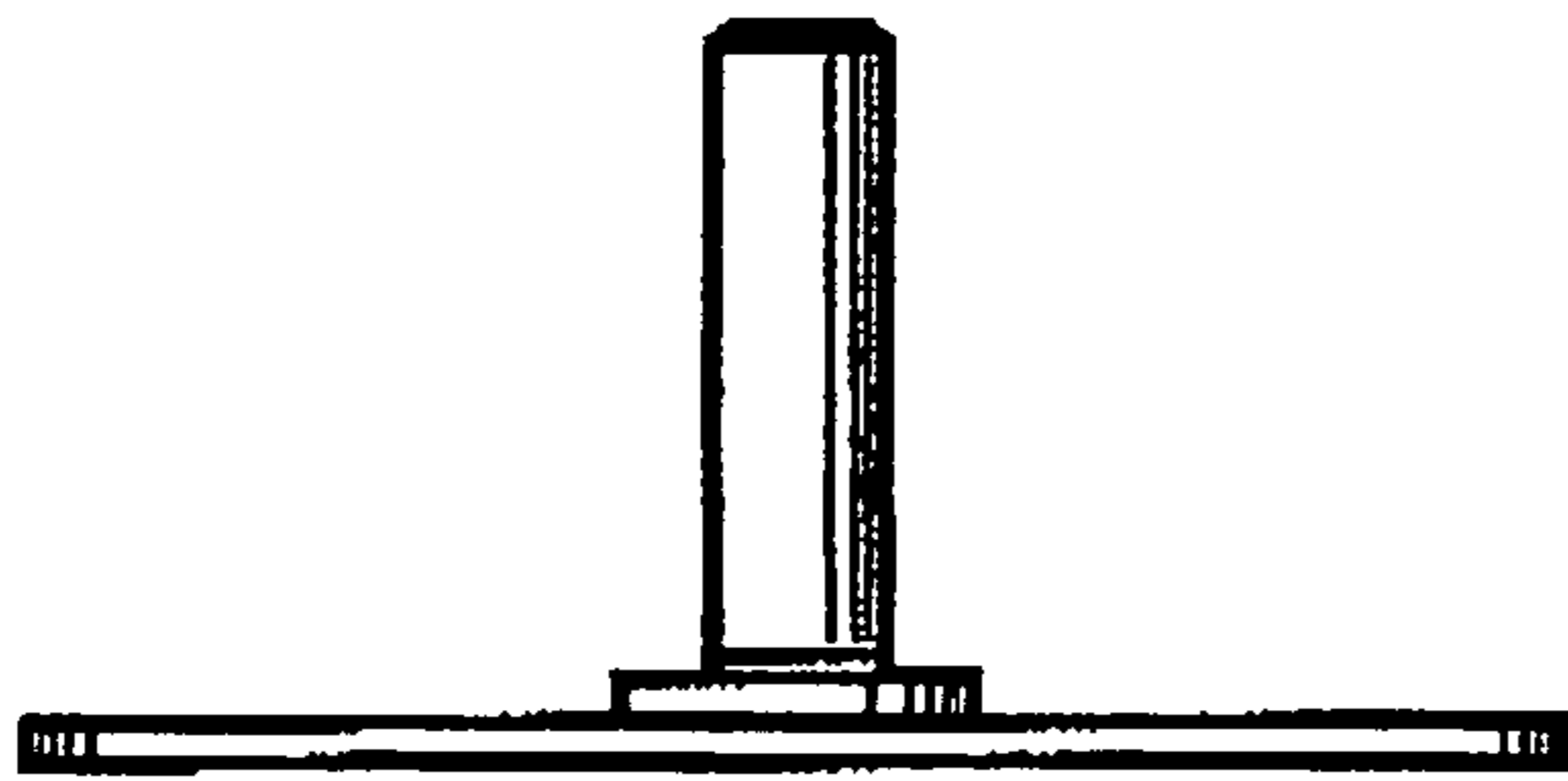


Fig. 2

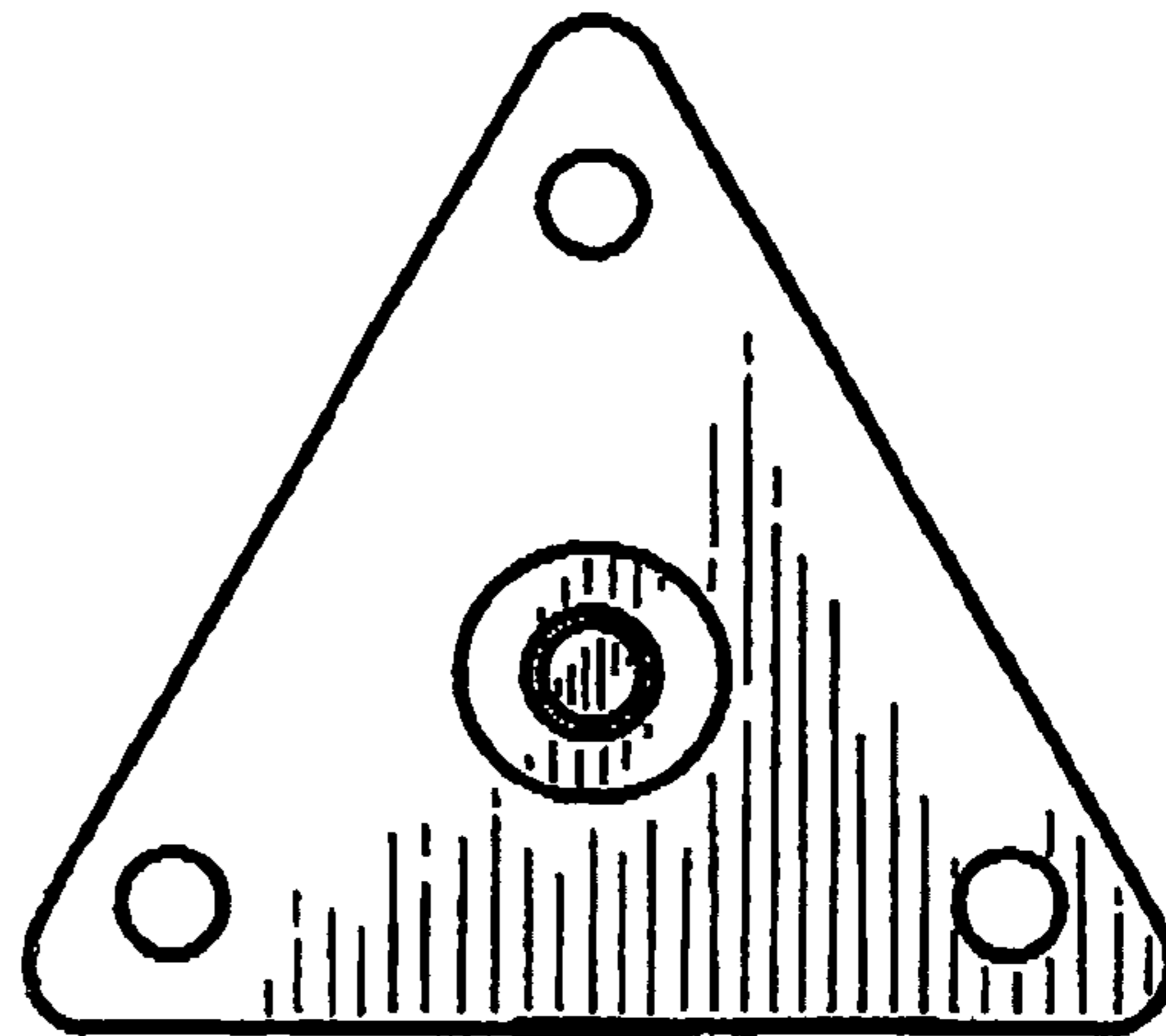


Fig. 3

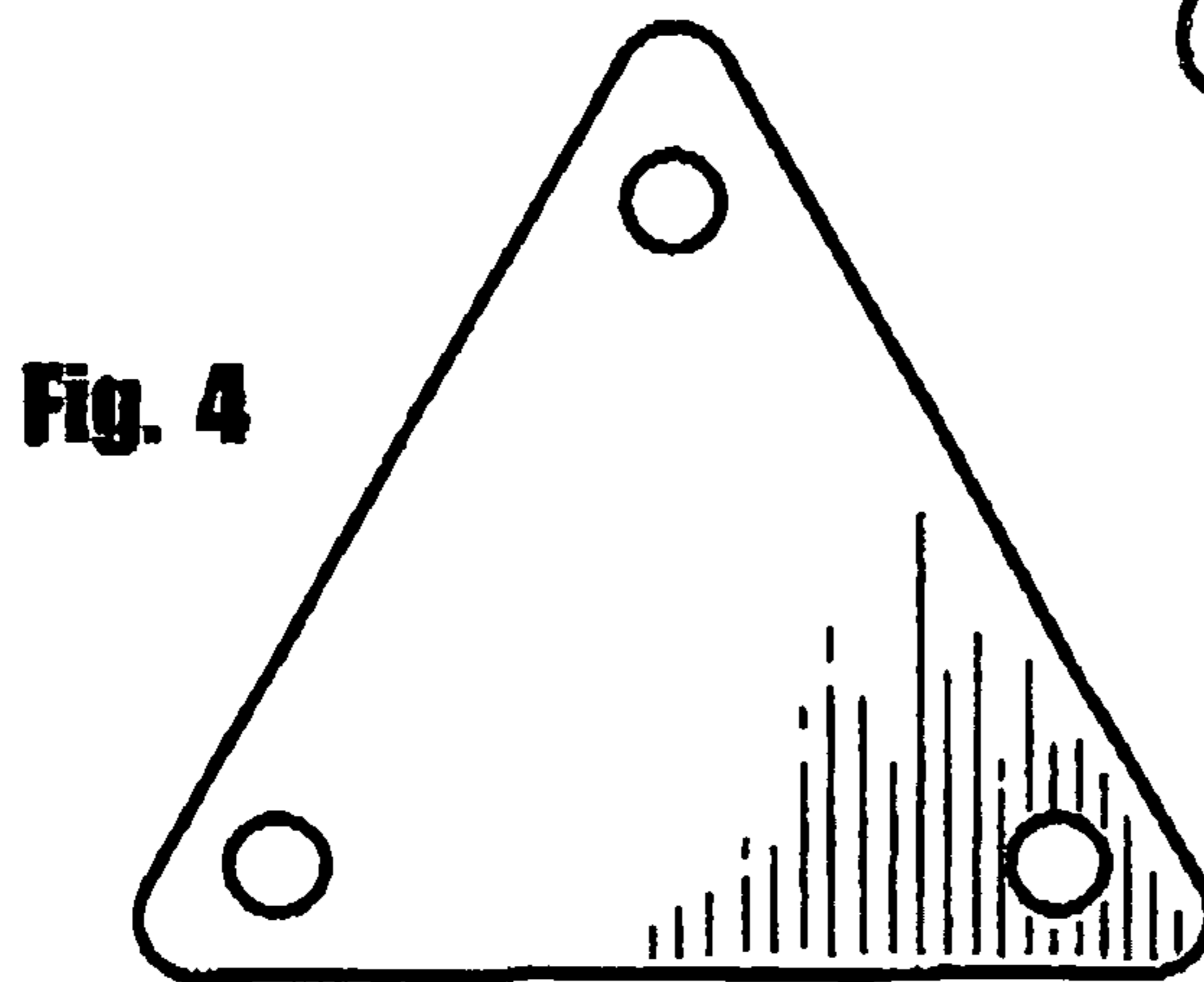


Fig. 4