



US00D570174S

(12) **United States Design Patent**
Stirm

(10) **Patent No.:** **US D570,174 S**

(45) **Date of Patent:** **** Jun. 3, 2008**

(54) **PAVEMENT BREAKER**

(75) Inventor: **Michael Stirm**, Oberursel (DE)

(73) Assignee: **Black & Decker Inc.**, Newark, DE
(US)

(**) Term: **14 Years**

(21) Appl. No.: **29/268,730**

(22) Filed: **Nov. 9, 2006**

(51) **LOC (8) Cl.** **08-02**

(52) **U.S. Cl.** **D8/67**

(58) **Field of Classification Search** D8/61-710;
81/57.11, 54, 57.42; 173/170, 217, 169,
173/216, 1, 206; 74/55

See application file for complete search history.

(56) **References Cited**

U.S. PATENT DOCUMENTS

1,887,762	A *	11/1932	Horton	74/55
2,533,487	A *	12/1950	Maurer et al.	173/170
4,440,237	A *	4/1984	Casperovich	173/206
D301,967	S *	7/1989	Sakamoto et al.	D8/67
D319,959	S *	9/1991	Johansson	D8/61
D319,960	S *	9/1991	Johansson	D8/61
D329,794	S *	9/1992	Graham	D8/68
D335,619	S *	5/1993	Ogawa et al.	D8/67

D341,532	S *	11/1993	Watanabe et al.	D8/69
D343,345	S *	1/1994	Ogawa et al.	D8/69
5,845,719	A *	12/1998	Matsumoto et al.	173/114
D447,677	S *	9/2001	Stirm	D8/69
7,013,984	B2 *	3/2006	Atkinson et al.	173/1

* cited by examiner

Primary Examiner—Cathron C. Brooks

Assistant Examiner—Austin Murphy

(74) *Attorney, Agent, or Firm*—Scott B. Markow

(57) **CLAIM**

The ornamental design for a pavement breaker, as shown and described.

DESCRIPTION

FIG. 1 is a right/front perspective view of the pavement breaker.

FIG. 2 is a left side view thereof.

FIG. 3 is a right side view thereof.

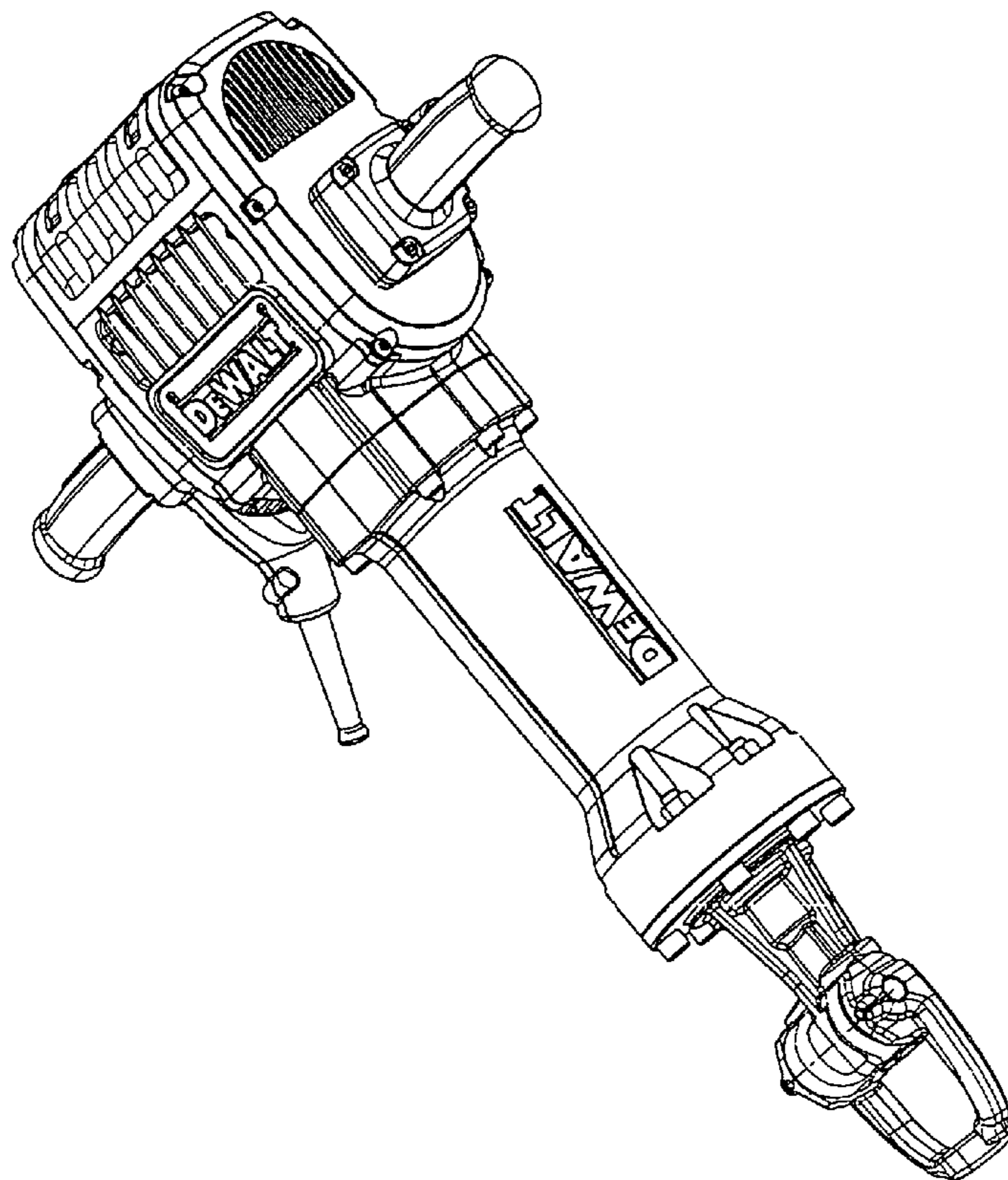
FIG. 4 is a top view thereof.

FIG. 5 is a bottom view thereof.

FIG. 6 is a front view thereof; and,

FIG. 7 is a rear view thereof.

1 Claim, 7 Drawing Sheets



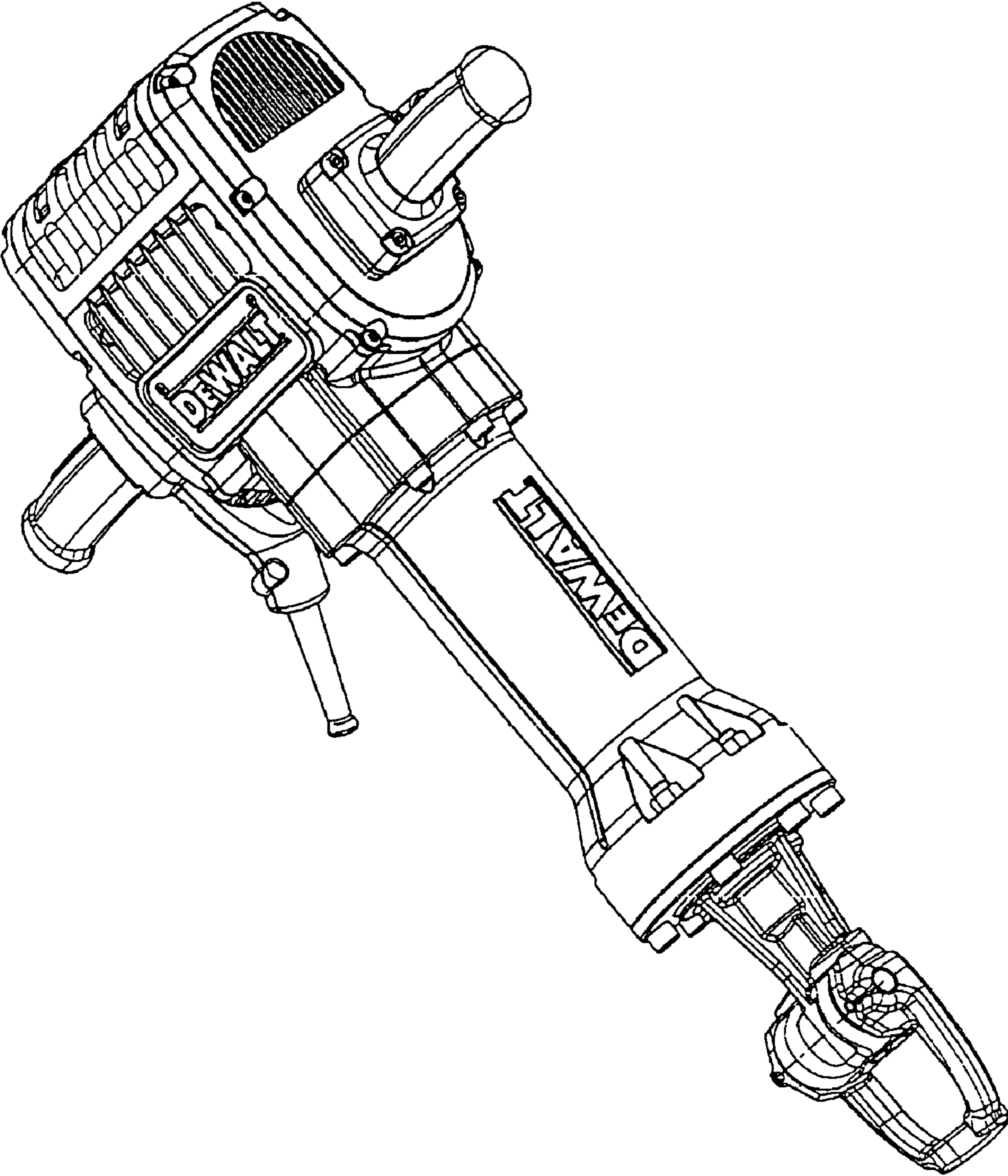


FIG. 1

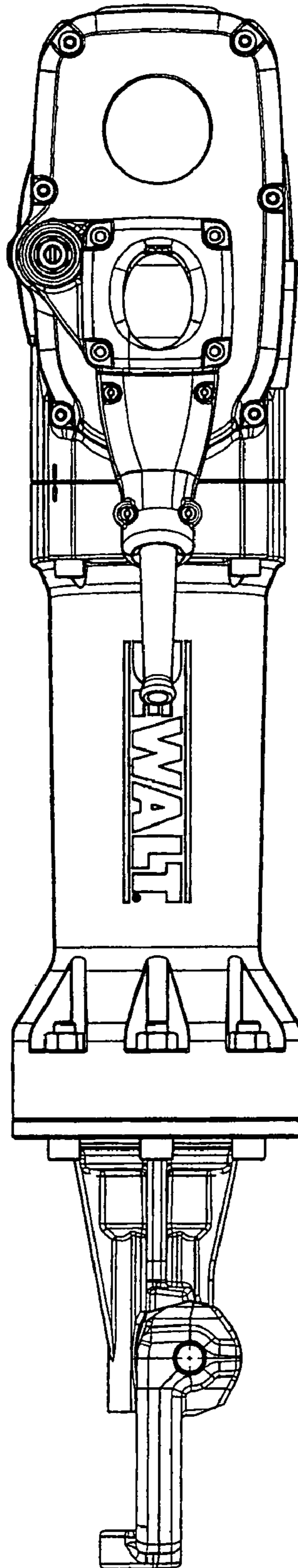


FIG 2

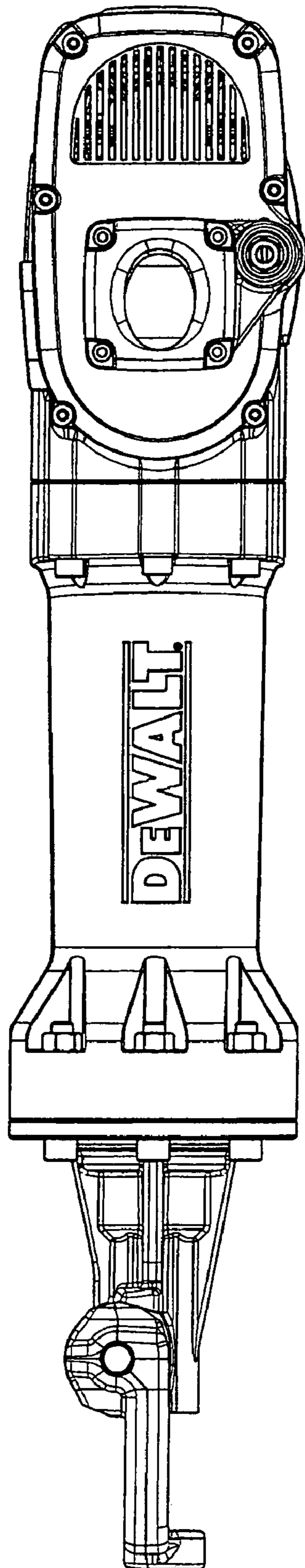


FIG 3

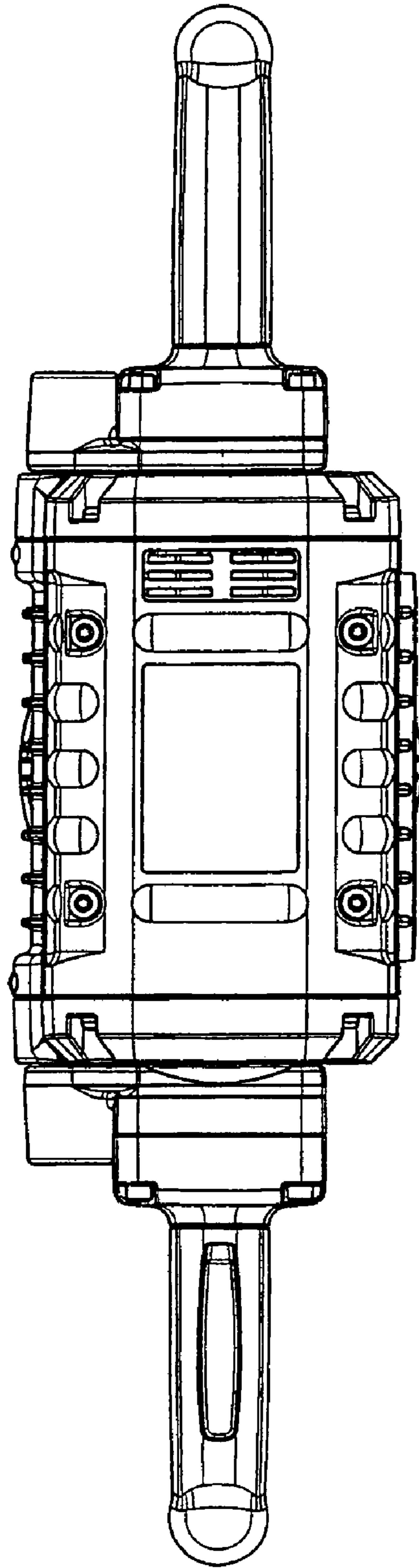


FIG 4

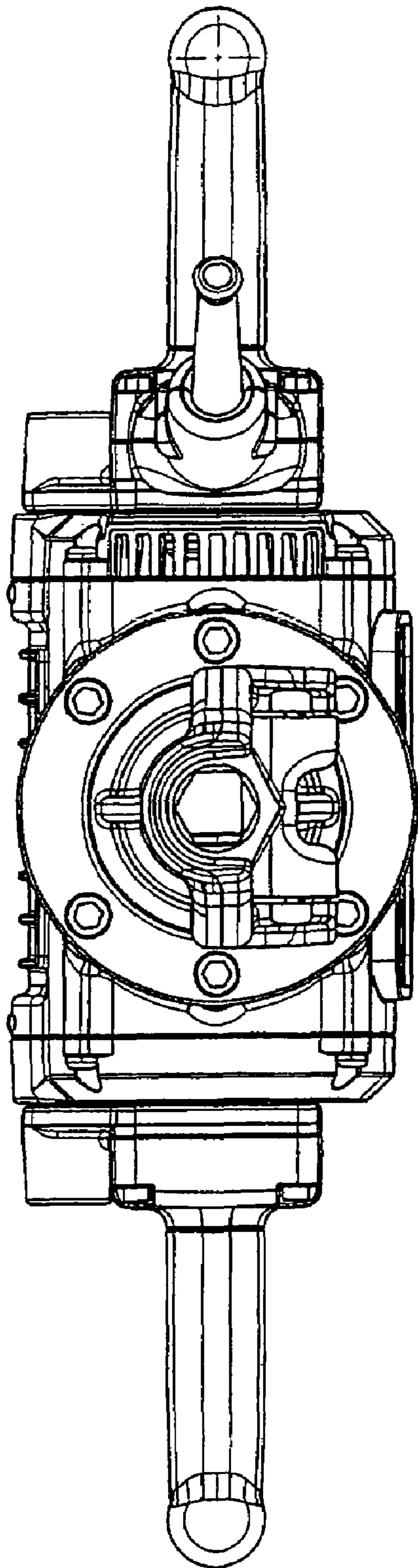


FIG 5

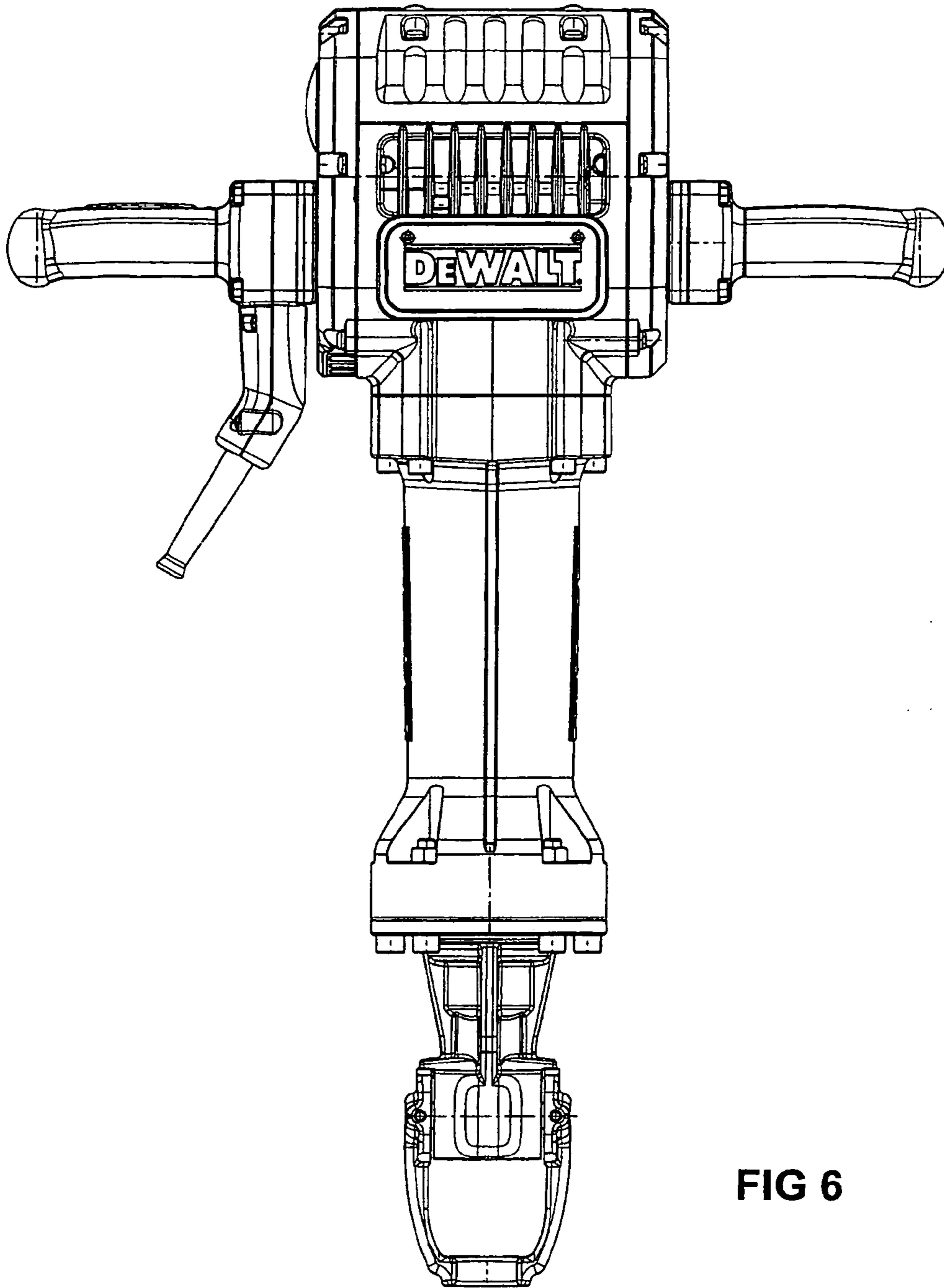


FIG 6

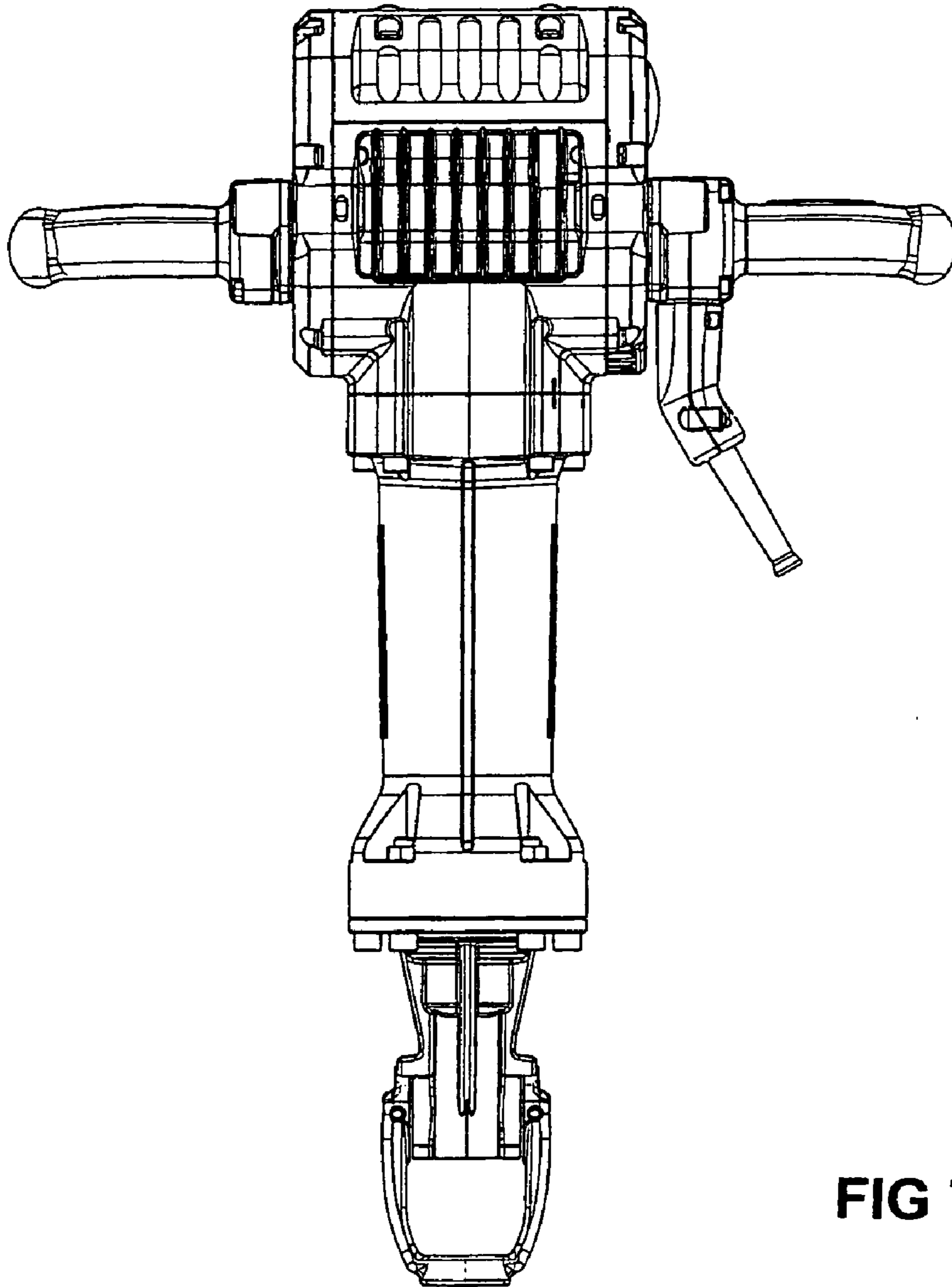


FIG 7