



US00D570172S

(12) **United States Design Patent**
Heun

(10) **Patent No.:** **US D570,172 S**
(45) **Date of Patent:** **** Jun. 3, 2008**

(54) **ROTARY DRIVING TOOL/TRIMMER**

(75) Inventor: **Ping Hay Heun**, Aberdeen (HK)

(73) Assignee: **Choon Nang Electrical Appliance Mfy., Ltd**, Aberdeen, Hong Kong (CN)

(**) Term: **14 Years**

(21) Appl. No.: **29/271,564**

(22) Filed: **Jan. 22, 2007**

(30) **Foreign Application Priority Data**

Jul. 25, 2006 (HK) 0601944

(51) **LOC (8) Cl.** **08-05**

(52) **U.S. Cl.** **D8/61**

(58) **Field of Classification Search** D8/69,
D8/68, 67, 66, 64, 61, 70; 83/698.41, 747;
81/57.11, 474; 173/170, 217, 168, 169
See application file for complete search history.

(56) **References Cited**

U.S. PATENT DOCUMENTS

D364,790	S	*	12/1995	Duennes	D8/61
5,829,931	A	*	11/1998	Doumani	409/182
D437,757	S	*	2/2001	Thomson et al.	D8/61
D446,100	S	*	8/2001	Heun	D8/61
D447,030	S	*	8/2001	Chen	D8/61
D470,735	S	*	2/2003	Heun	D8/61
D471,781	S	*	3/2003	Heun	D8/61
D473,119	S	*	4/2003	Evans	D8/61
D477,203	S	*	7/2003	Heun	D8/61
D477,758	S	*	7/2003	Chunn et al.	D8/64

D478,259	S	*	8/2003	Heun	D8/61
D478,260	S	*	8/2003	Heun	D8/61
D478,487	S	*	8/2003	Heun	D8/61
D484,763	S	*	1/2004	Sham et al.	D8/64
D527,964	S	*	9/2006	Riley et al.	D8/61

* cited by examiner

Primary Examiner—Cathron C. Brooks

Assistant Examiner—Austin Murphy

(74) *Attorney, Agent, or Firm*—Alix, Yale & Ristas, LLP

(57) **CLAIM**

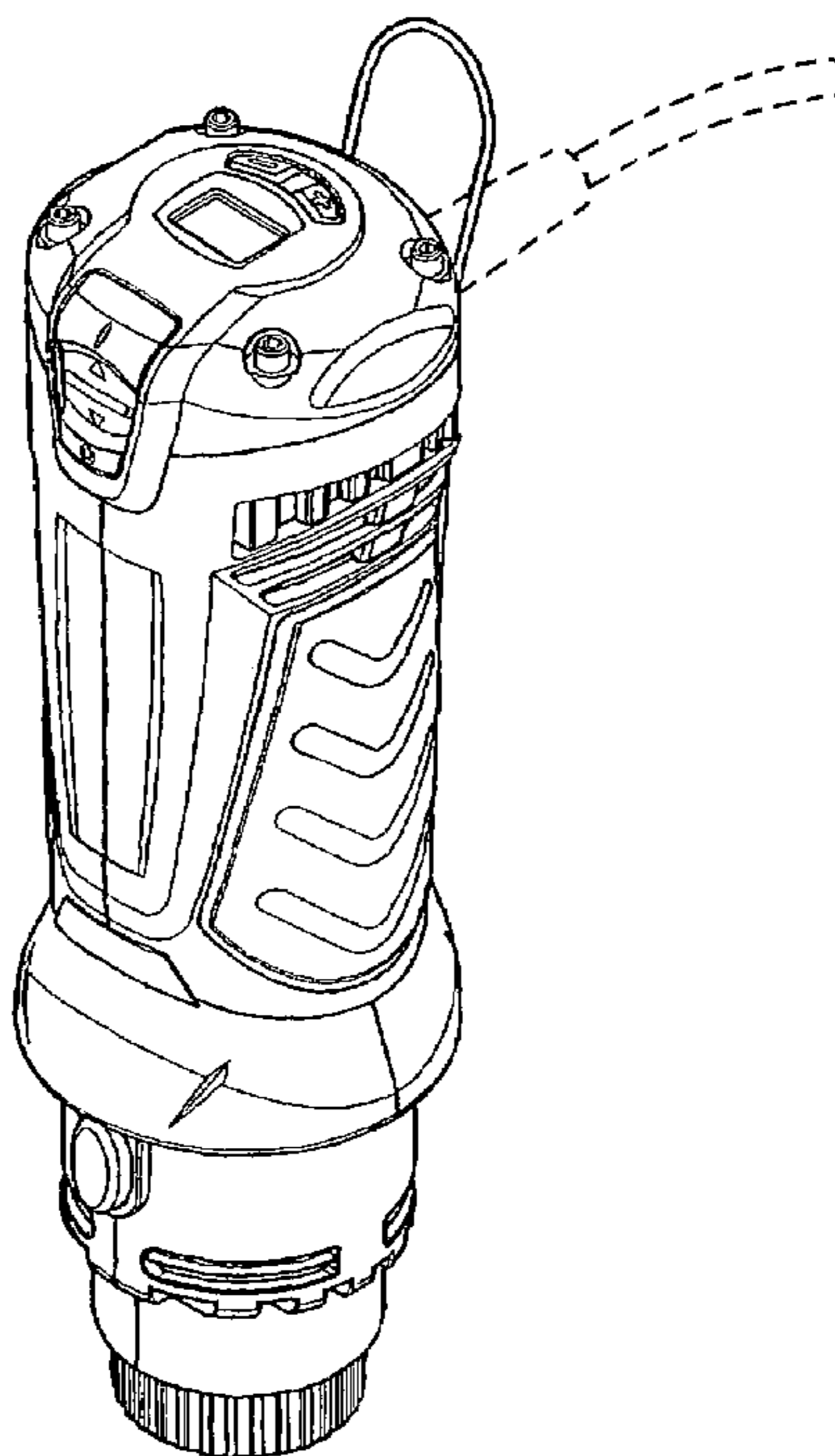
The ornamental design for a rotary driving tool/trimmer, as shown and described.

DESCRIPTION

FIG. 1 is a front, right side and top perspective view of a rotary driving tool/trimmer, showing my new design; FIG. 2 is a front, left side and top perspective view thereof; FIG. 3 is a front elevational view thereof; FIG. 4 is a rear elevational view thereof; FIG. 5 is a right side elevational view thereof; FIG. 6 is a left side elevational view thereof; FIG. 7 is a top end view thereof; and, FIG. 8 is a bottom end view thereof.

No claim is made to the power cord shown in broken lines. The broken line showing of the power cord forms no part of the claimed design.

1 Claim, 8 Drawing Sheets



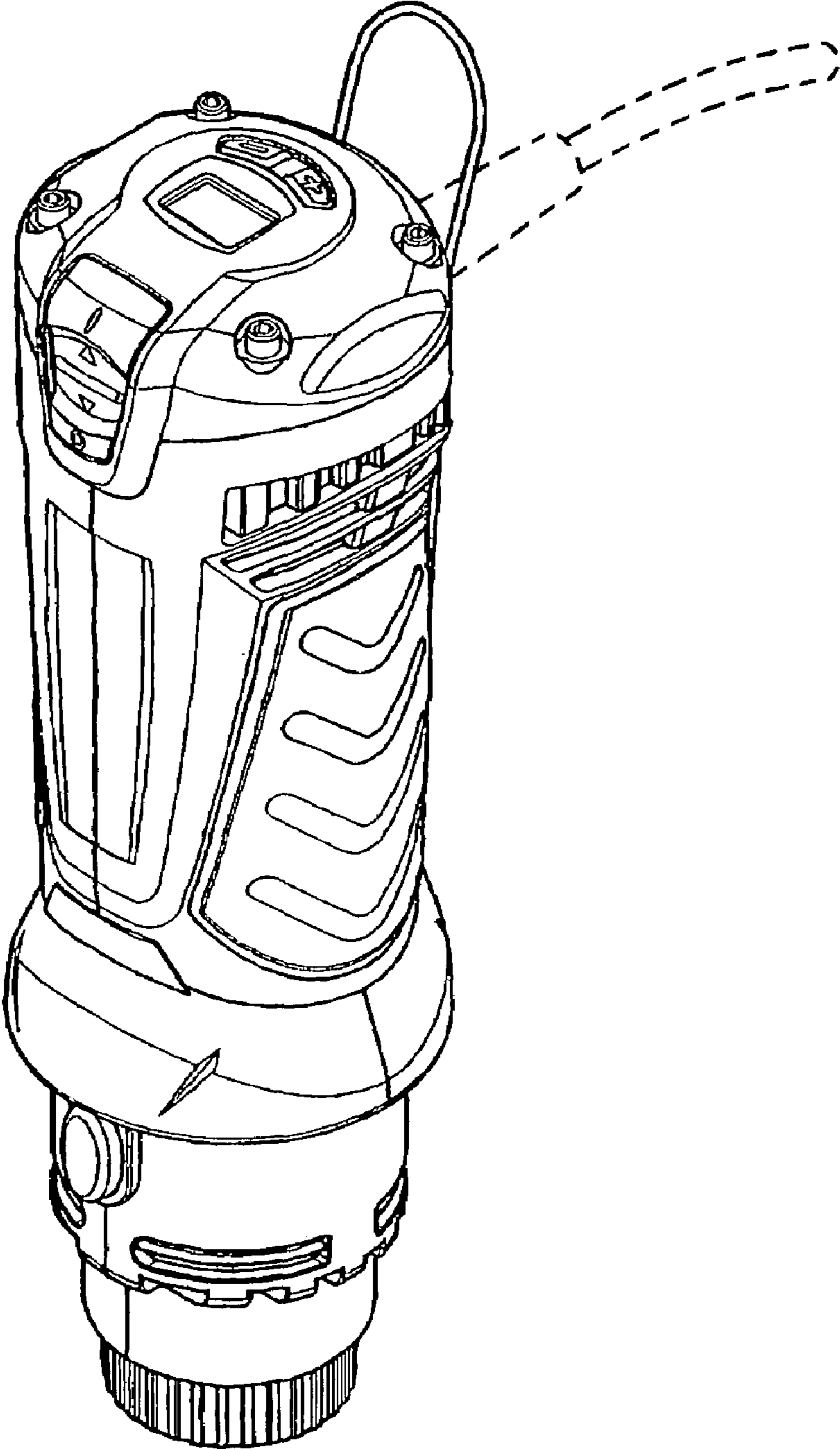


FIG. 1

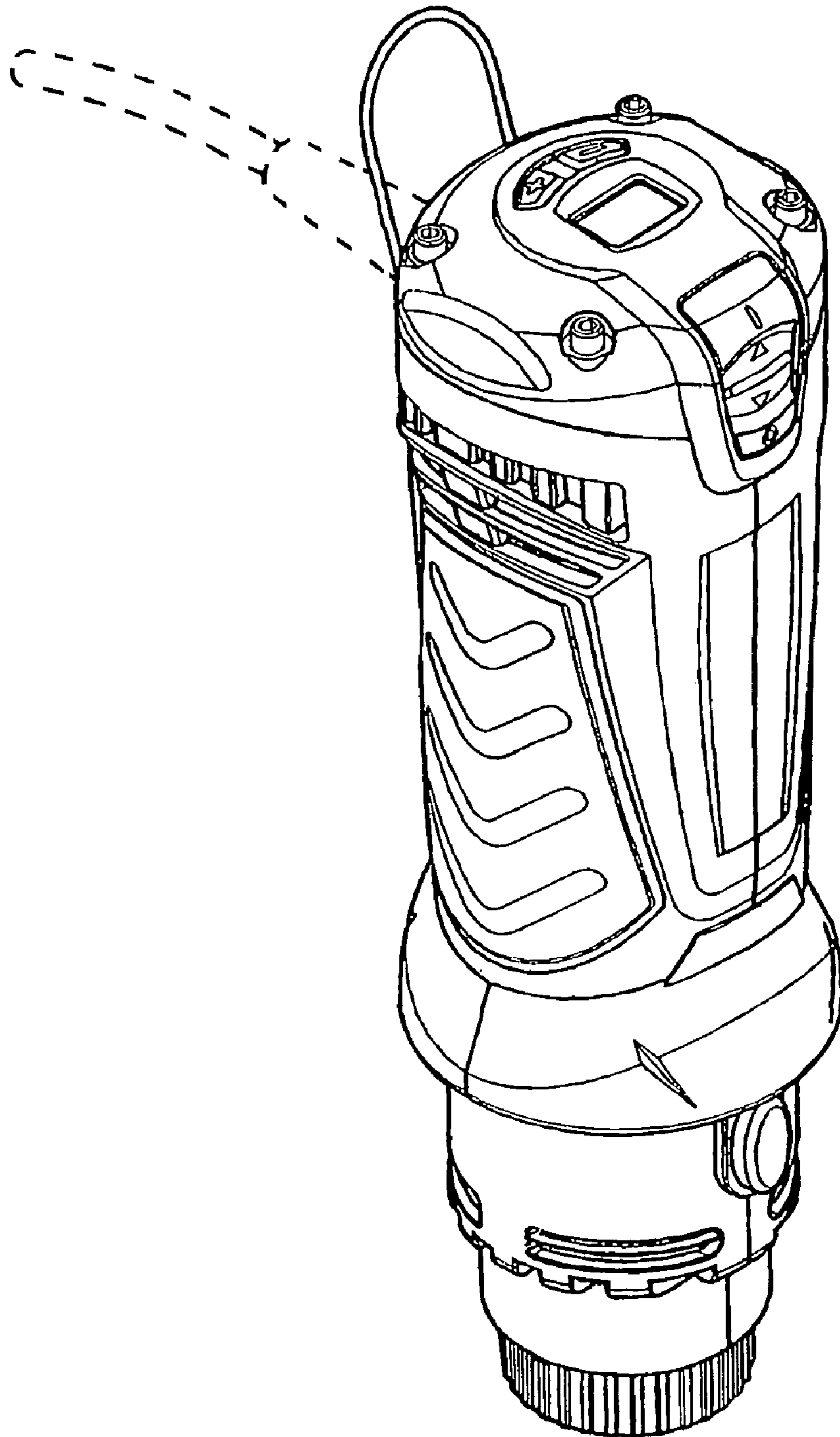


FIG. 2

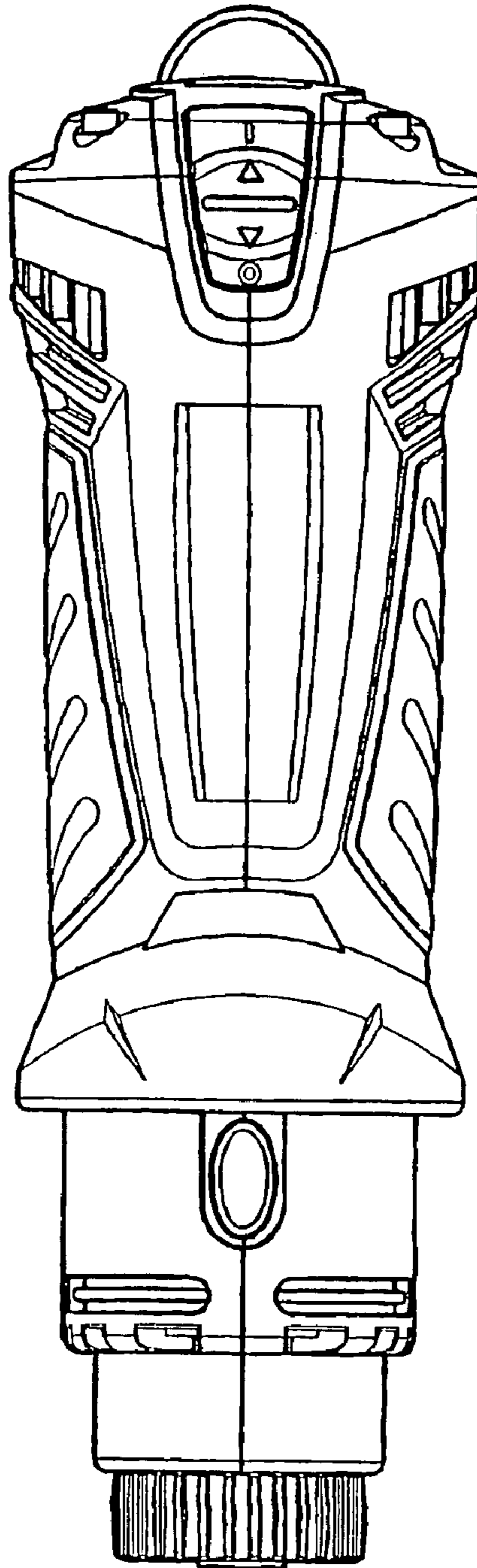


FIG. 3

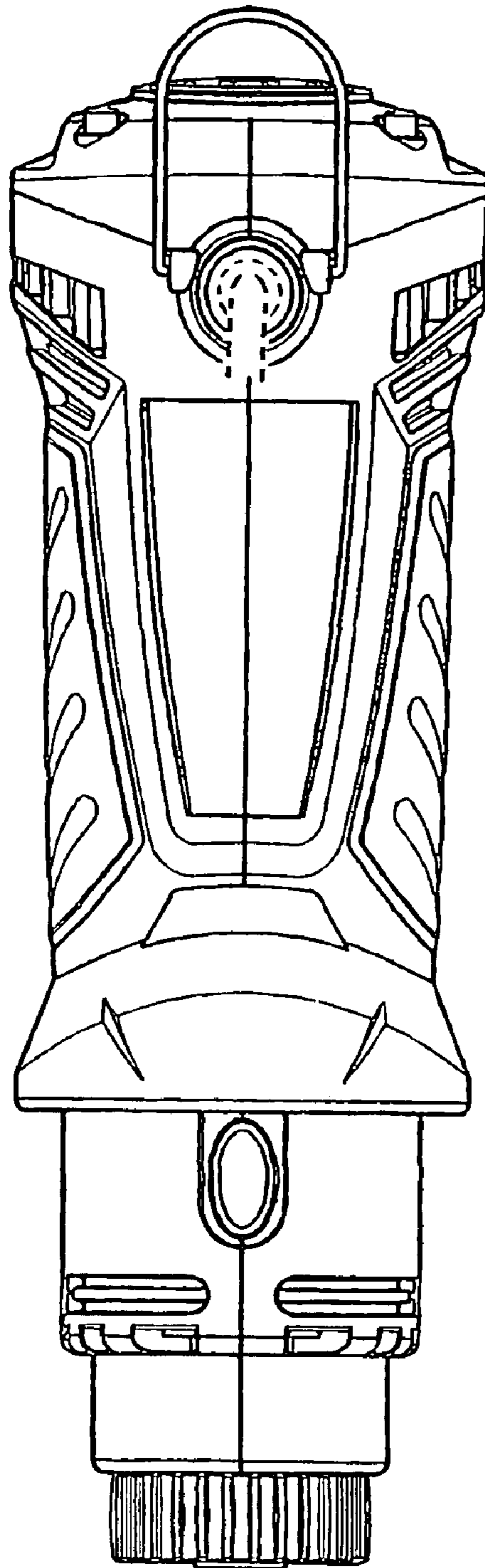


FIG. 4

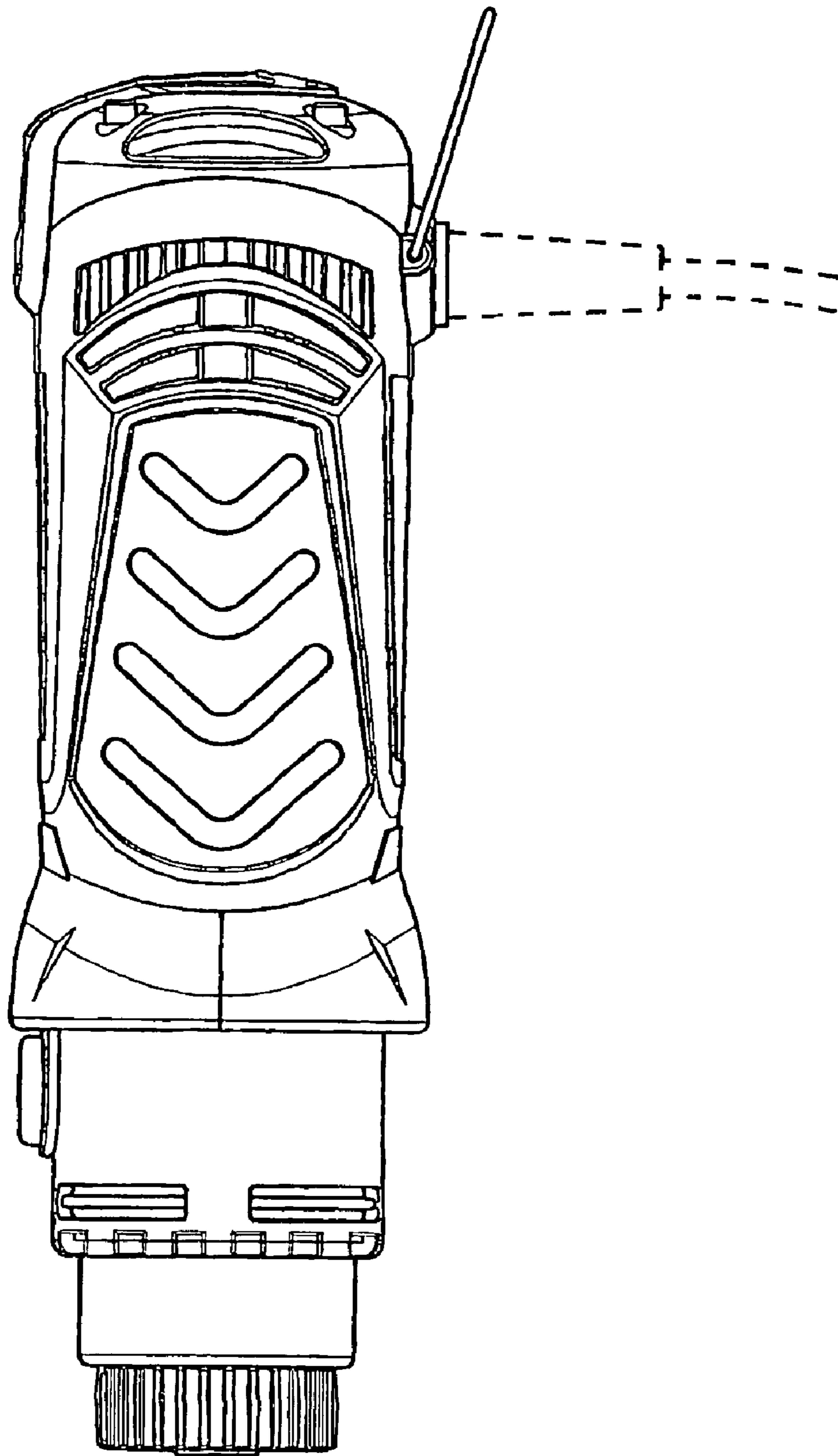


FIG. 5

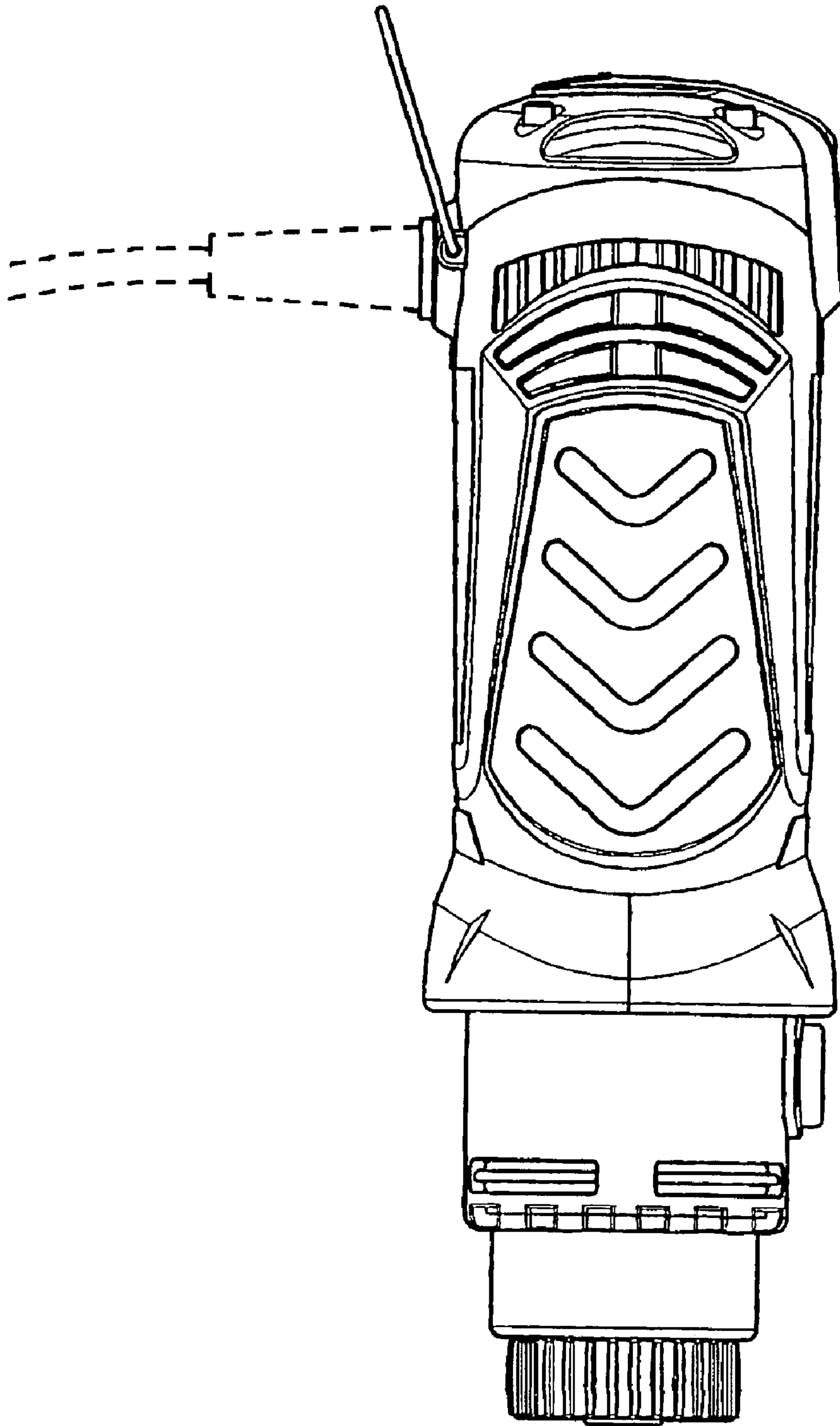


FIG. 6

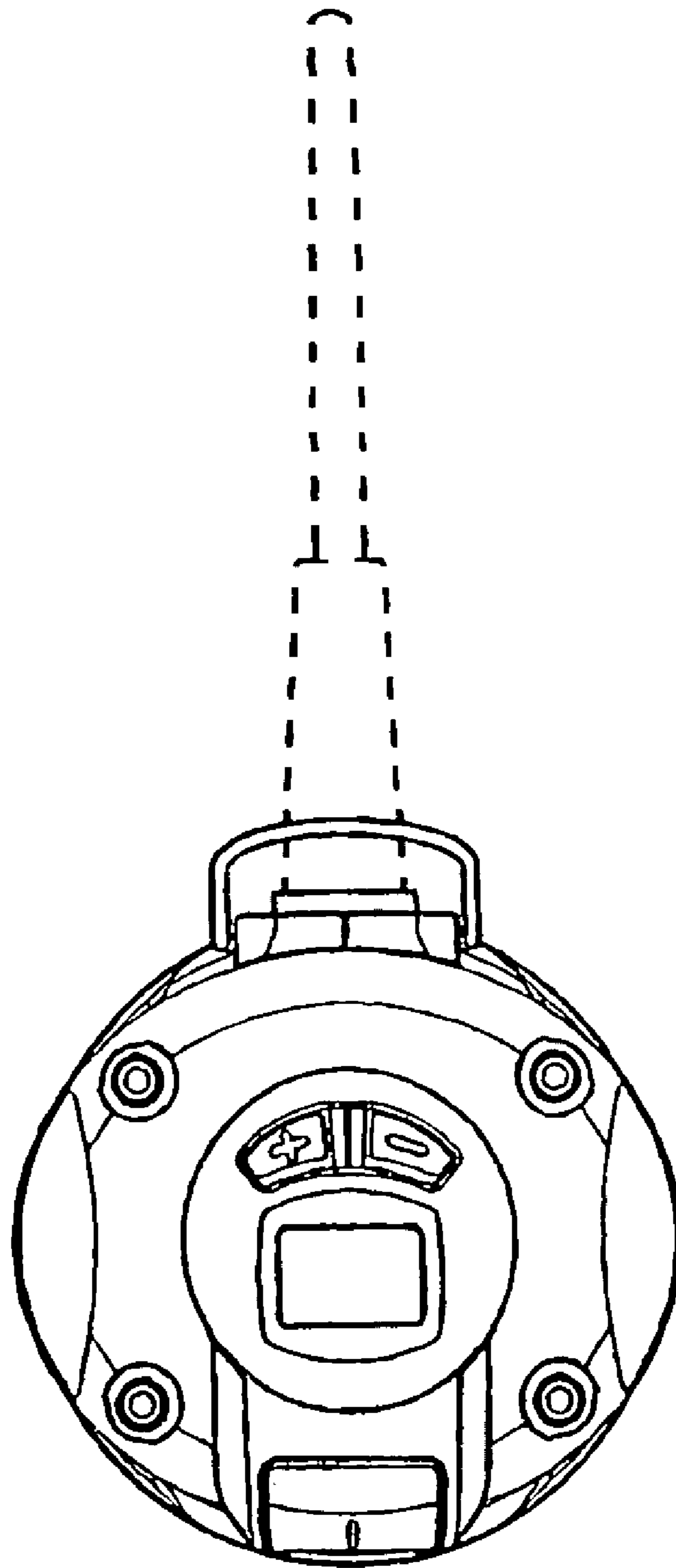


FIG. 7

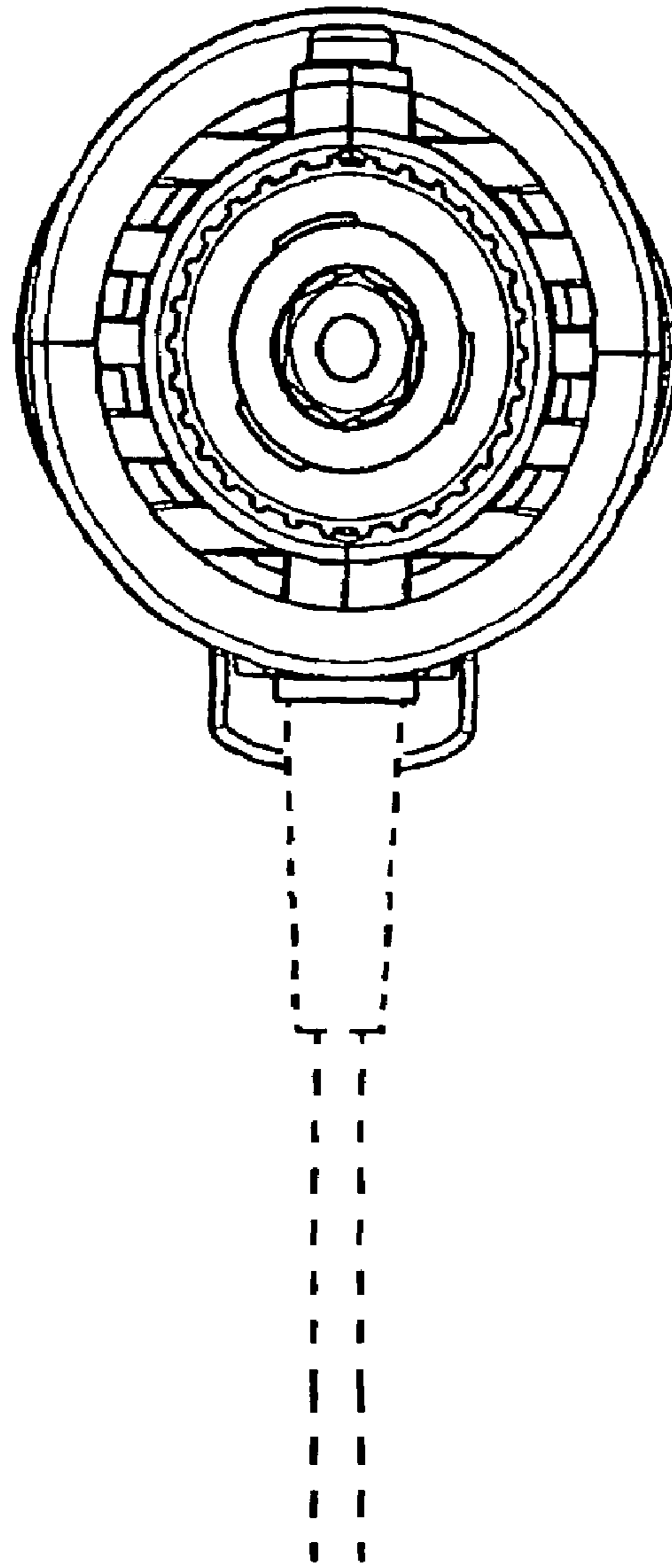


FIG. 8