



US00D570169S

(12) **United States Design Patent**
Lin

(10) **Patent No.:** **US D570,169 S**
(45) **Date of Patent:** **** Jun. 3, 2008**

(54) **TAPERED POLYGONAL SLEEVE**
(76) **Inventor:** **Ying-Mo Lin**, No. 20, Alley 1, Ren-Ai St., Caotun Township, Nantou County 54256 (TW)

(**) **Term:** **14 Years**

(21) **Appl. No.:** **29/296,103**

(22) **Filed:** **Oct. 12, 2007**

(51) **LOC (8) Cl.** **08-05**

(52) **U.S. Cl.** **D8/29**

(58) **Field of Classification Search** D8/17, D8/21-29, 52, 55, 81-87, 102-107, 98, 99, D8/93, 94; 81/119, 121.1, 86, 124.2, 125, 81/125.1, 176.1, 176.2, 177.1, 177.2, 177.3, 81/177.85, 124.3, 124.7, 176.3, 179, 160, 81/3.57, 3.55, 58.4, 186, 58.3, 300, 58.1, 81/60-63.2, 165-170, 110.1, 124.6, 176.15, 81/121.7, 436, 437, 418, 166, 177.8, 177.9, 81/185.1, 3.4, 177.4, 492, 57, 58, 13, 177.7, 81/490, 415-423, 427.5; 140/119; 16/422, 16/186, 429

See application file for complete search history.

(56) **References Cited**

U.S. PATENT DOCUMENTS

5,146,814 A * 9/1992 Vasichek 81/125
D359,669 S * 6/1995 Spingaire D8/29

5,544,555 A * 8/1996 Corley et al. 81/125
6,546,778 B2 * 4/2003 Jordan 72/356
6,598,498 B1 * 7/2003 Pigford et al. 81/53.2
6,877,402 B1 * 4/2005 Pigford et al. 81/53.2
D506,908 S * 7/2005 Hsien D8/29
D544,322 S * 6/2007 Horobec D8/29
7,228,764 B1 * 6/2007 Macor 81/121.1

* cited by examiner

Primary Examiner—Raphael Barkai
Assistant Examiner—Randall H Gholson
(74) *Attorney, Agent, or Firm*—Banger Shia

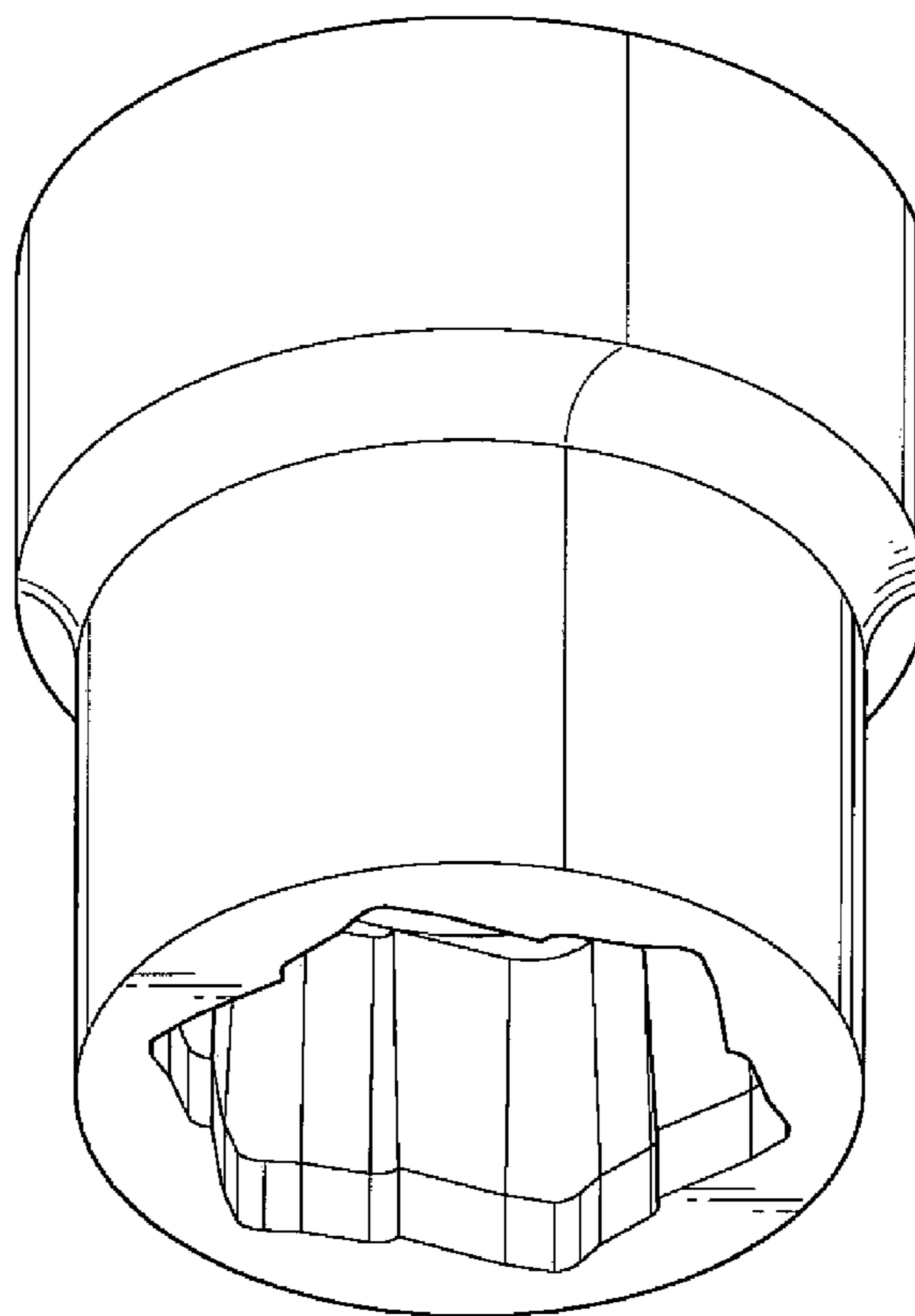
(57) **CLAIM**

The ornamental design for a tapered polygonal sleeve, as shown and described.

DESCRIPTION

FIG. 1 is a perspective view of a tapered polygonal sleeve showing my new design;
FIG. 2 is a front elevational view thereof;
FIG. 3 is a rear elevational view thereof,
FIG. 4 is a left side elevational view thereof,
FIG. 5 is a right side elevational view thereof,
FIG. 6 is a top plan view thereof;
FIG. 7 is a bottom plan view thereof; and,
FIG. 8 is a section view thereof, taken from a side view.

1 Claim, 8 Drawing Sheets



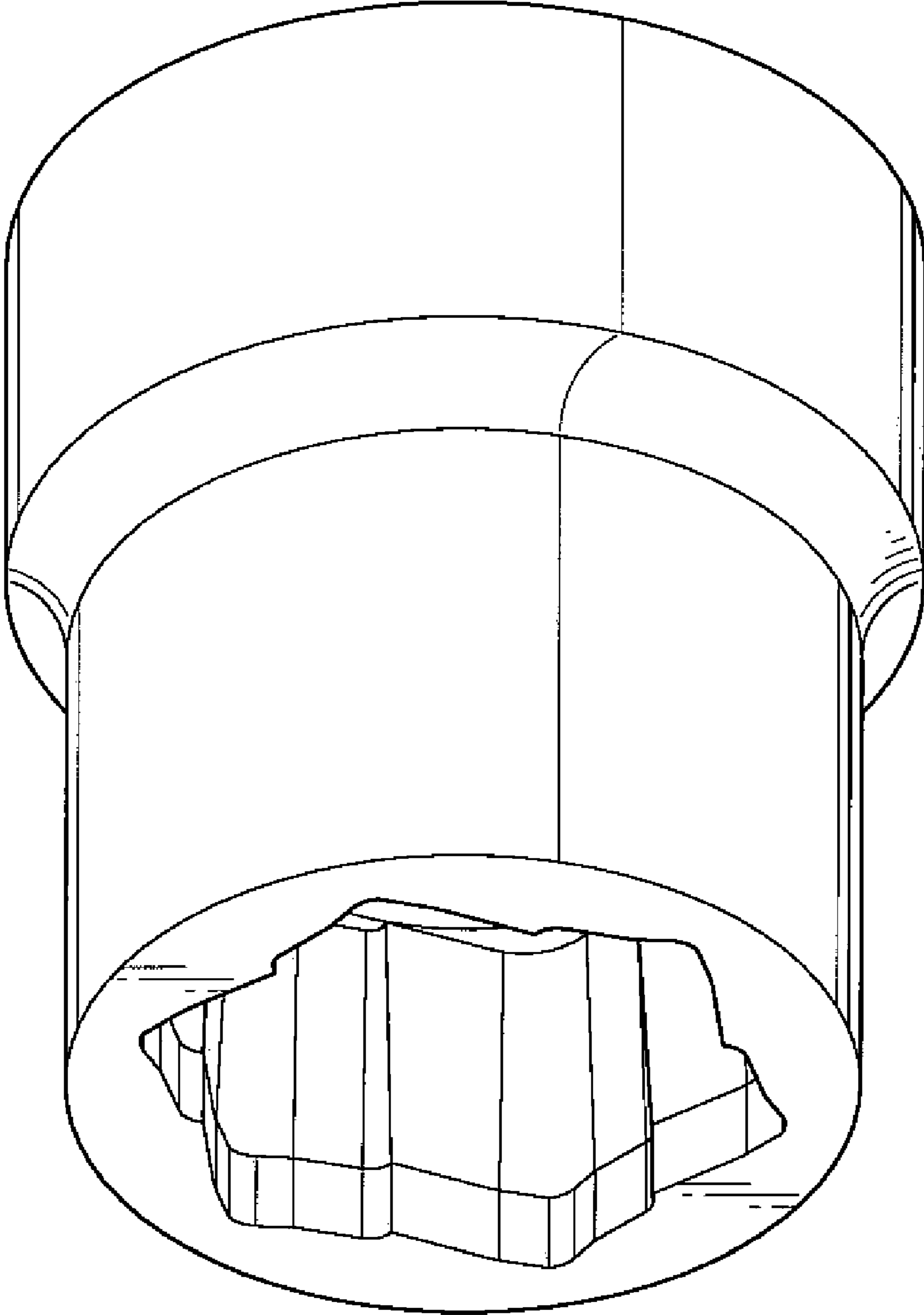


FIG. 1

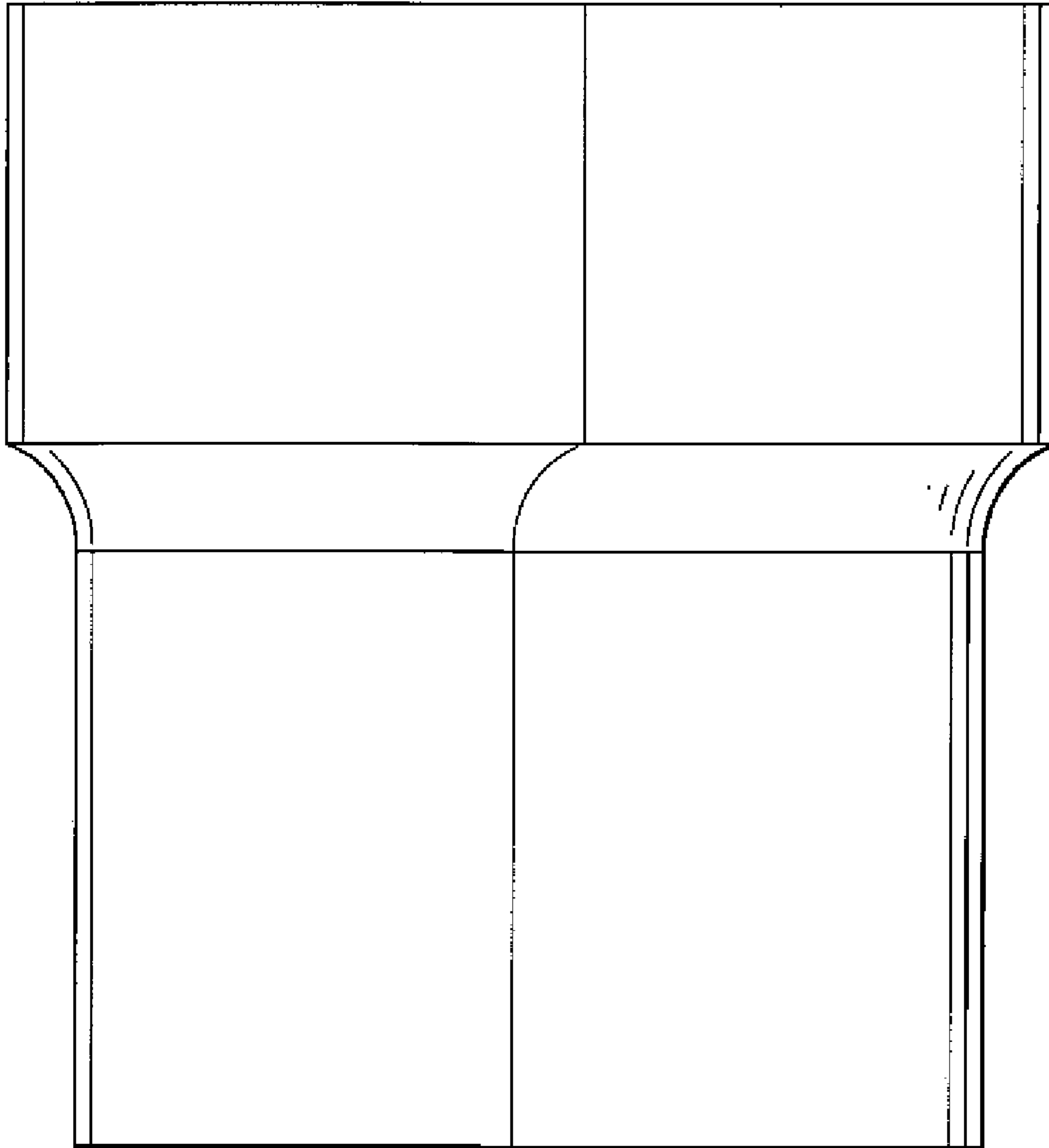


FIG. 2

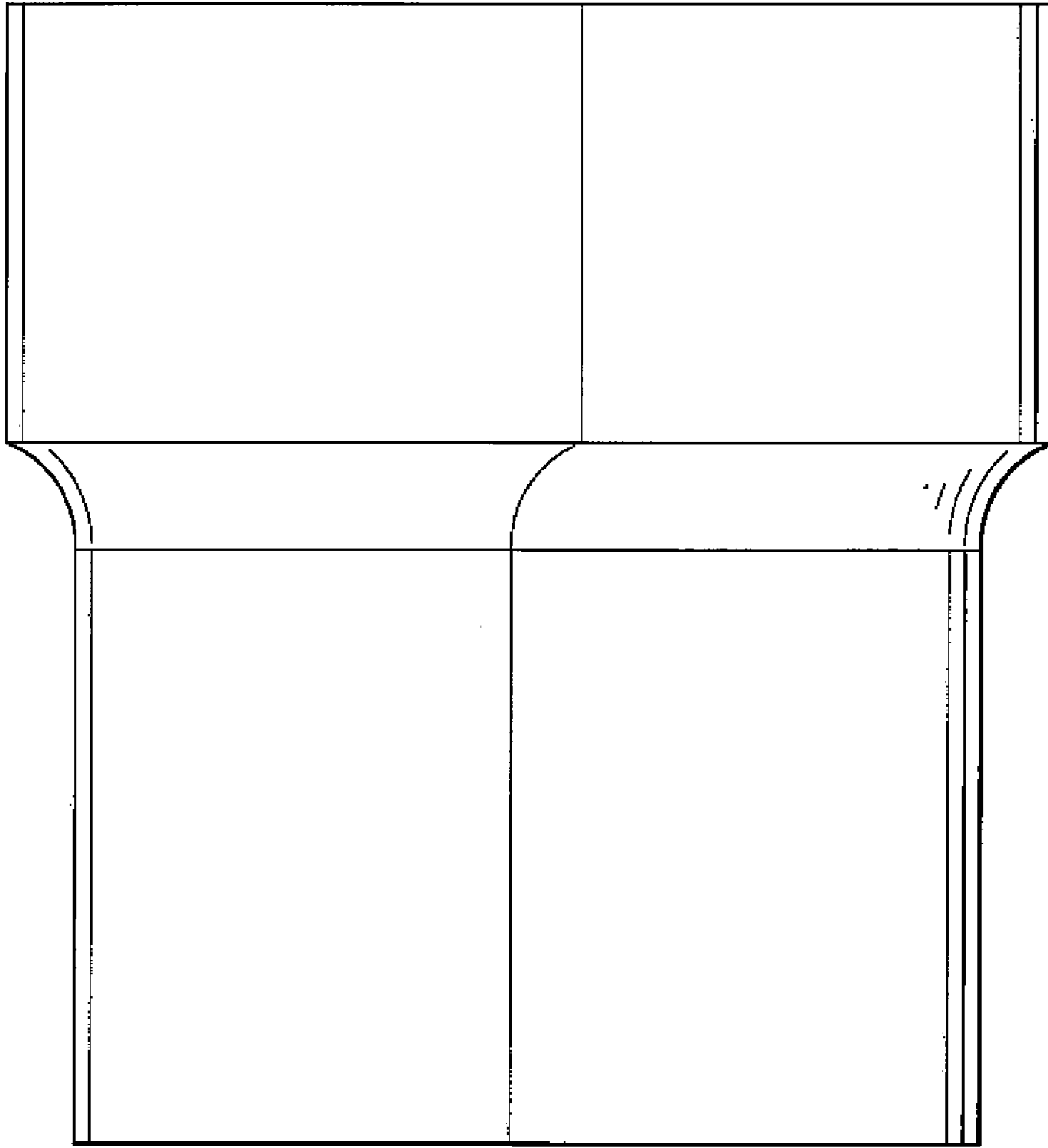


FIG. 3

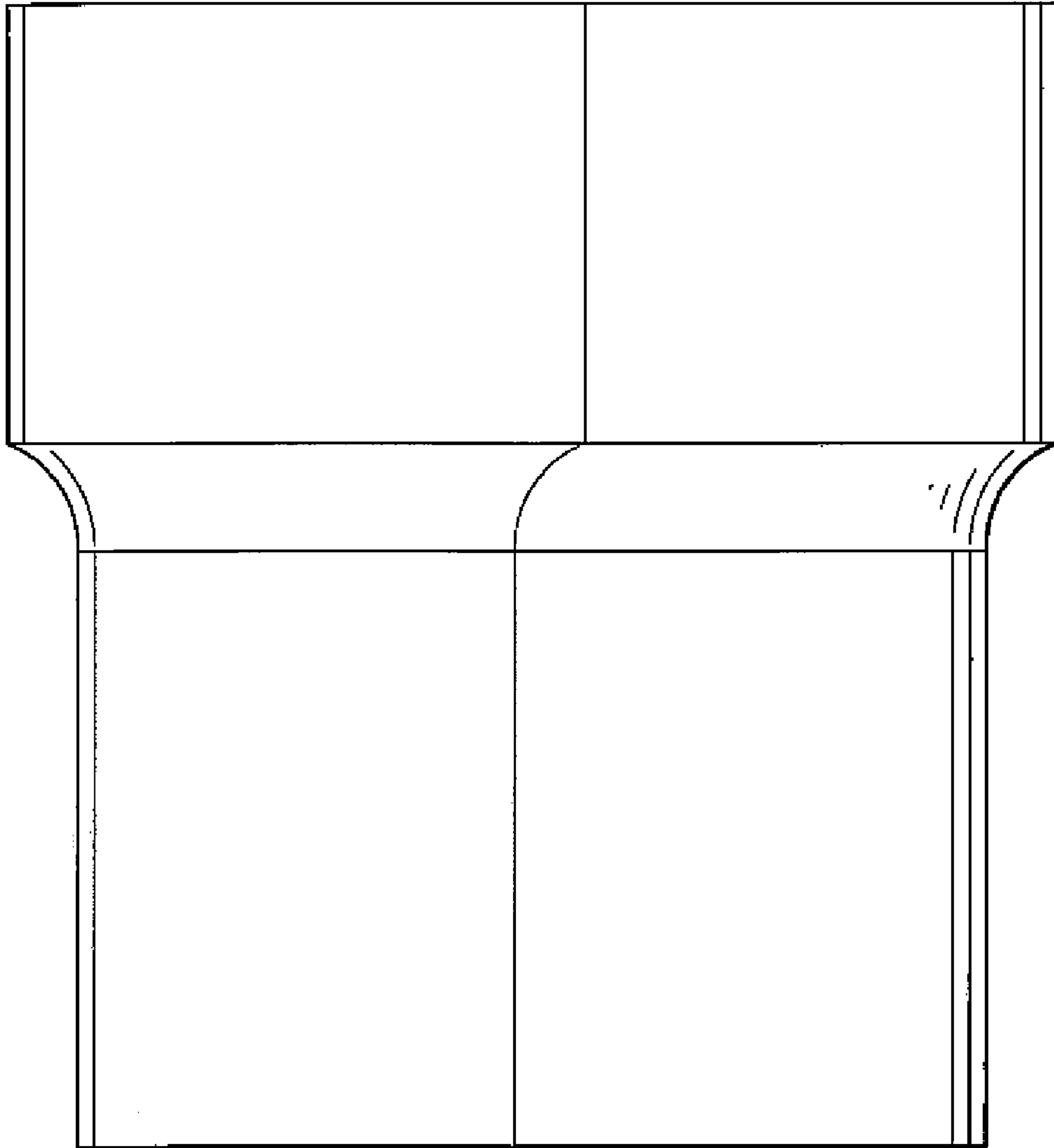


FIG. 4

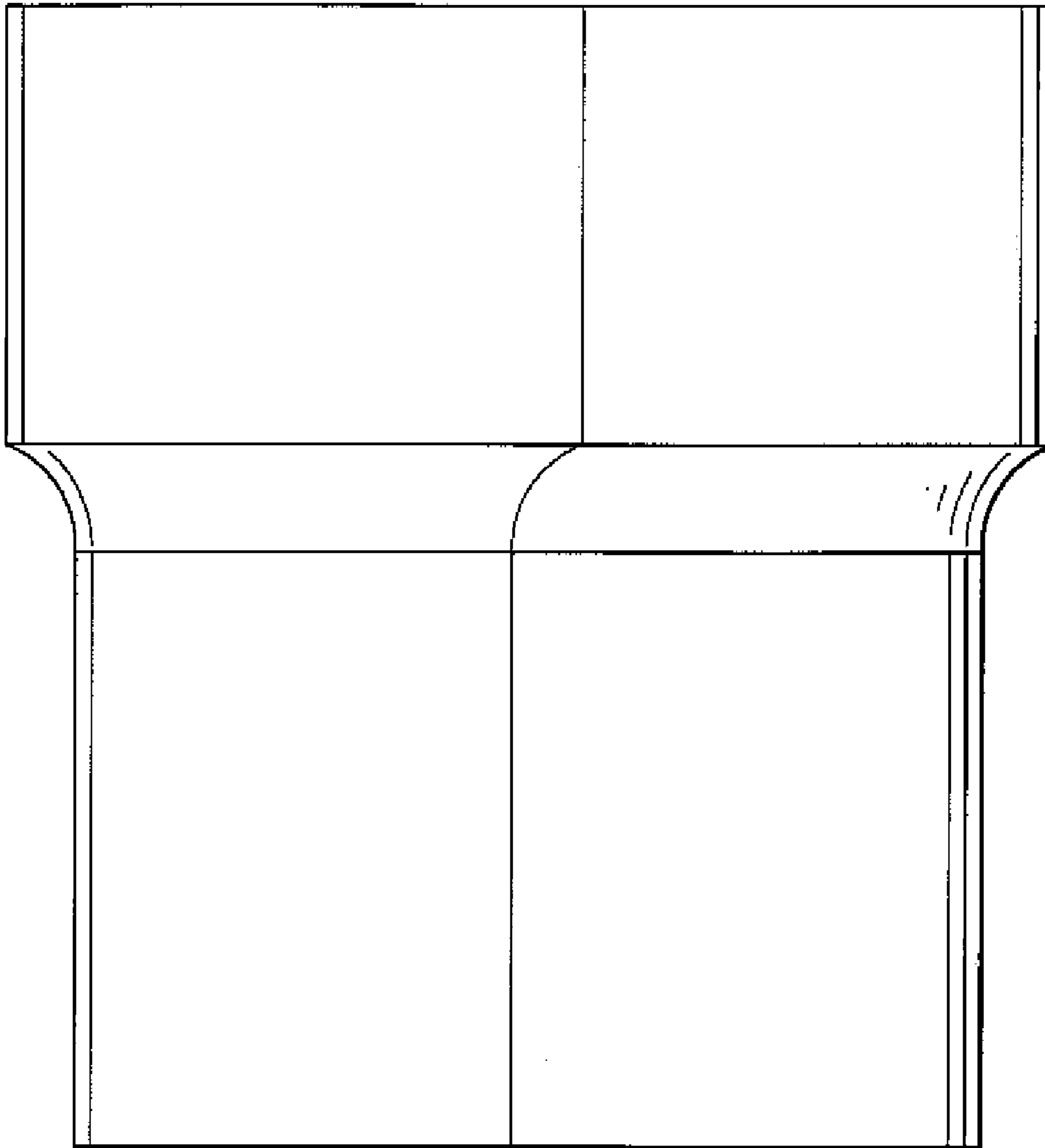


FIG. 5

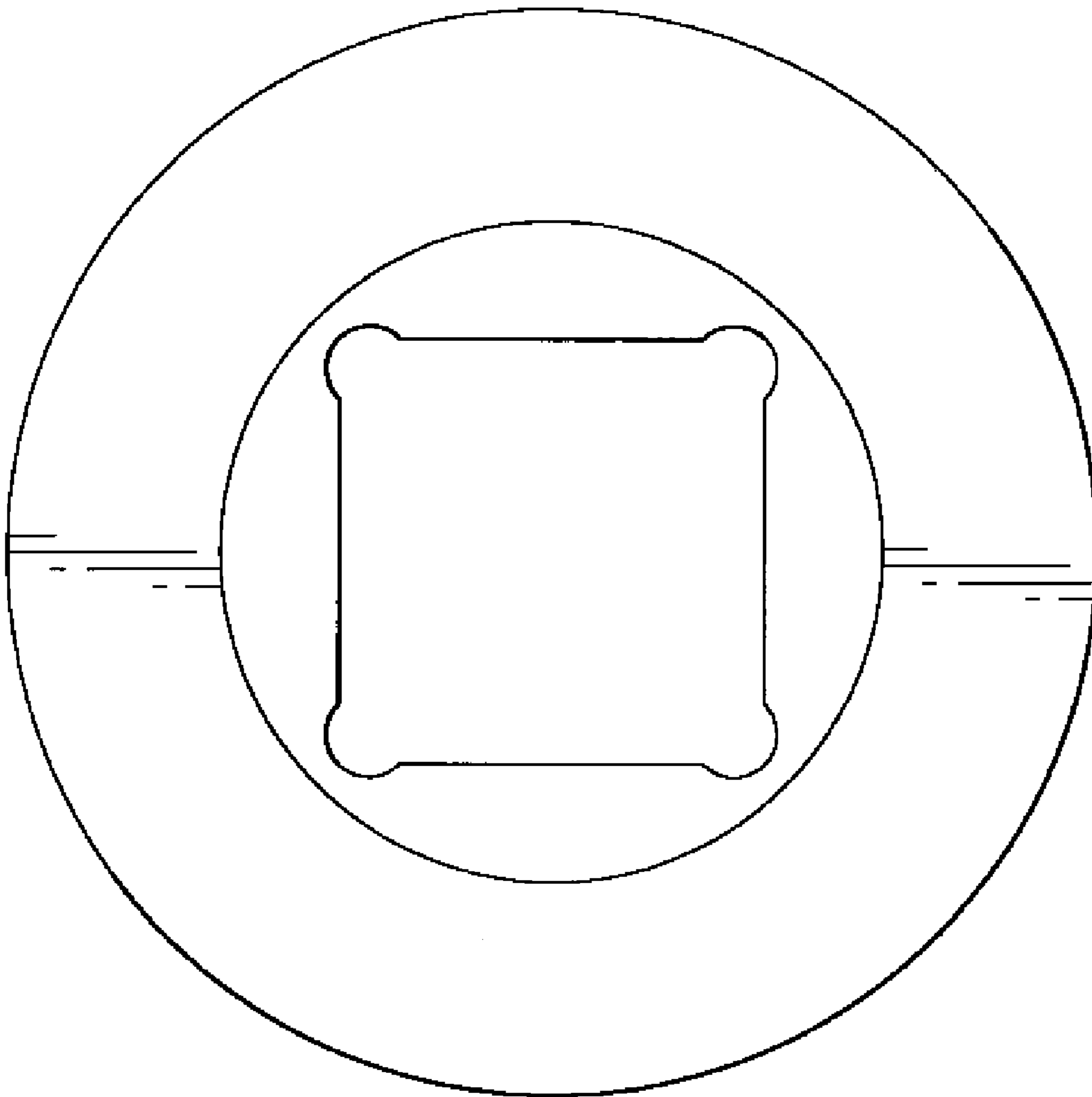


FIG. 6

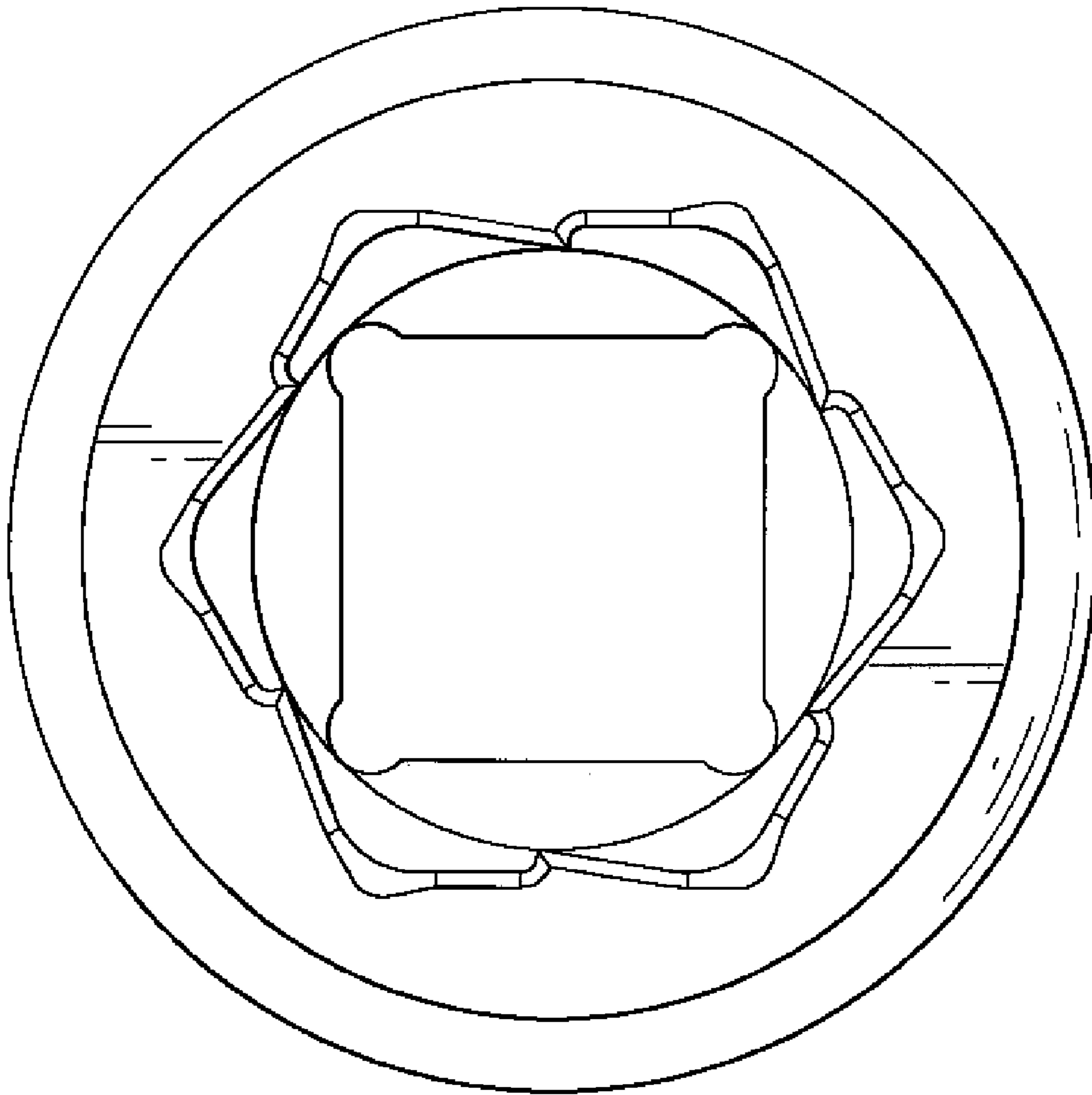


FIG. 7

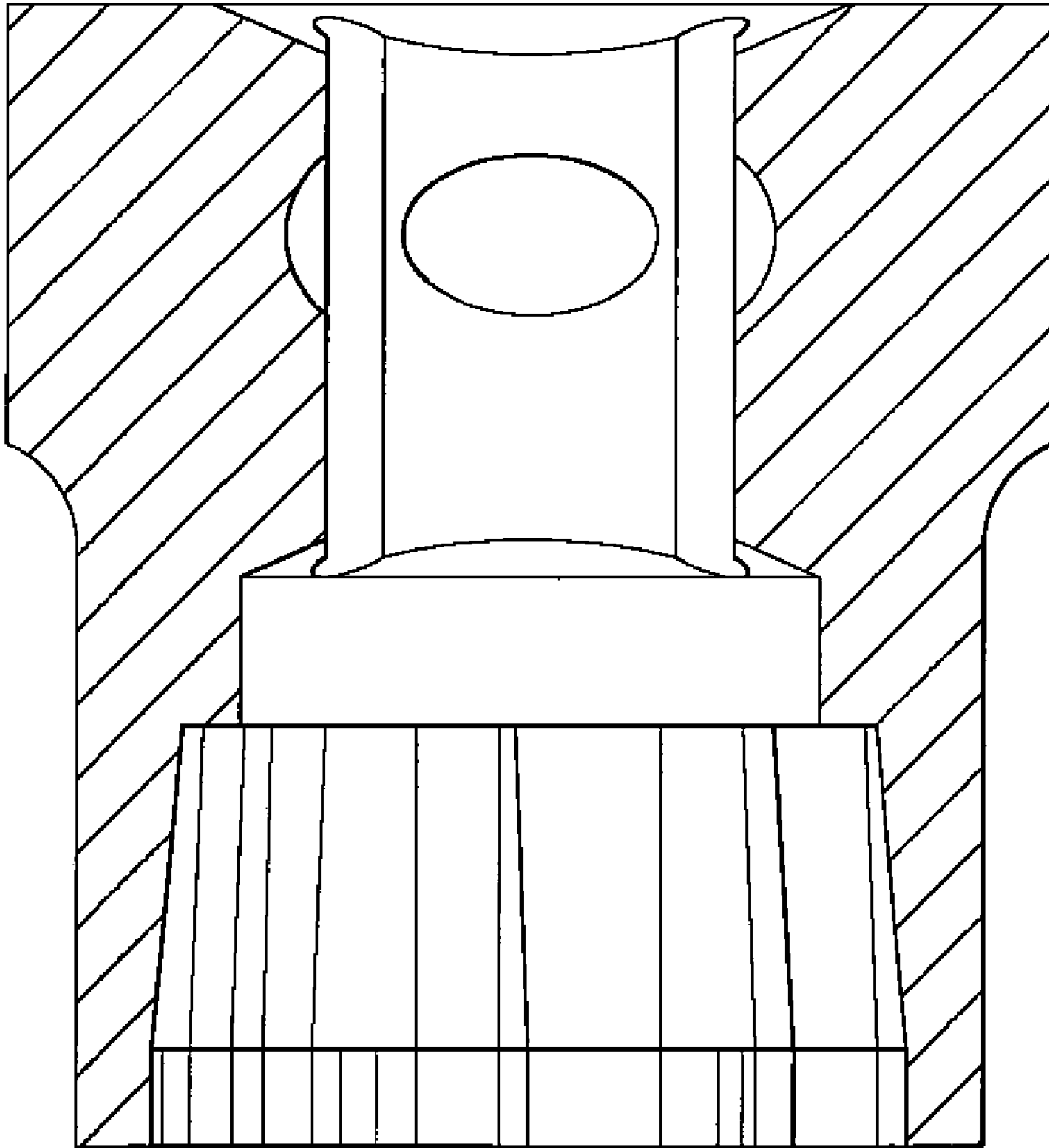


FIG. 8