



US00D570166S

(12) **United States Design Patent**
Brownlee

(10) **Patent No.:** **US D570,166 S**

(45) **Date of Patent:** **** Jun. 3, 2008**

(54) **CULINARY CUTTING BOARD WITH PERIMETER RIM**

(76) Inventor: **William D. Brownlee**, 2415 Monroe St., Columbia, SC (US) 29205

(**) Term: **14 Years**

(21) Appl. No.: **29/271,955**

(22) Filed: **Jan. 30, 2007**

(51) **LOC (8) Cl.** **07-04**

(52) **U.S. Cl.** **D7/698**

(58) **Field of Classification Search** D7/360,
D7/388, 538, 554.2, 586, 637, 638, 696, 698,
D7/699; D6/135, 335; D32/56-58; 99/446,
99/449; 131/329; 269/13-15, 289 R, 291,
269/297, 298, 302.1, 289 MR, 315; 294/172;
451/461

See application file for complete search history.

(56) **References Cited**

U.S. PATENT DOCUMENTS

1,233,184	A *	7/1917	Chadwick	269/302.1
D239,689	S *	4/1976	Doman et al.	D7/698
D264,419	S *	5/1982	Dorman et al.	D7/698
D321,991	S *	12/1991	Menges et al.	D6/335
5,233,793	A *	8/1993	Dandurand	451/461
5,386,978	A *	2/1995	Ladwig	269/289 R
D363,417	S *	10/1995	Kelley	D7/698
D372,176	S *	7/1996	Meisner	D7/698
D381,564	S *	7/1997	Kolada	D7/698
D416,768	S *	11/1999	Lisser et al.	D7/698
D424,891	S *	5/2000	Kaposi	D7/698
D464,237	S *	10/2002	Kaposi	D7/698
2006/0237026	A1 *	10/2006	Simester	131/329

* cited by examiner

Primary Examiner—Caron D. Veynar

Assistant Examiner—Ricky Pham

(74) *Attorney, Agent, or Firm*—Turner Padgett Graham & Laney, P.A.

(57) **CLAIM**

The ornamental design for a culinary cutting board with perimeter rim, as shown and described.

DESCRIPTION

FIG. 1 is a top perspective view of a first embodiment of the culinary cutting board with perimeter rim showing my new design;

FIG. 2 is a bottom perspective view thereof;

FIG. 3 is a front elevational view thereof;

FIG. 4 is a side elevational view thereof;

FIG. 5 is a top plan view thereof;

FIG. 6 is a bottom plan view thereof;

FIG. 7 is a top perspective view of a second embodiment of the culinary cutting board with perimeter rim of FIG. 1, the only difference residing in the inclusion of four handling grooves with chamfers proximate thereto, it being understood that the top, right, and left side view are the same as those of the first embodiment;

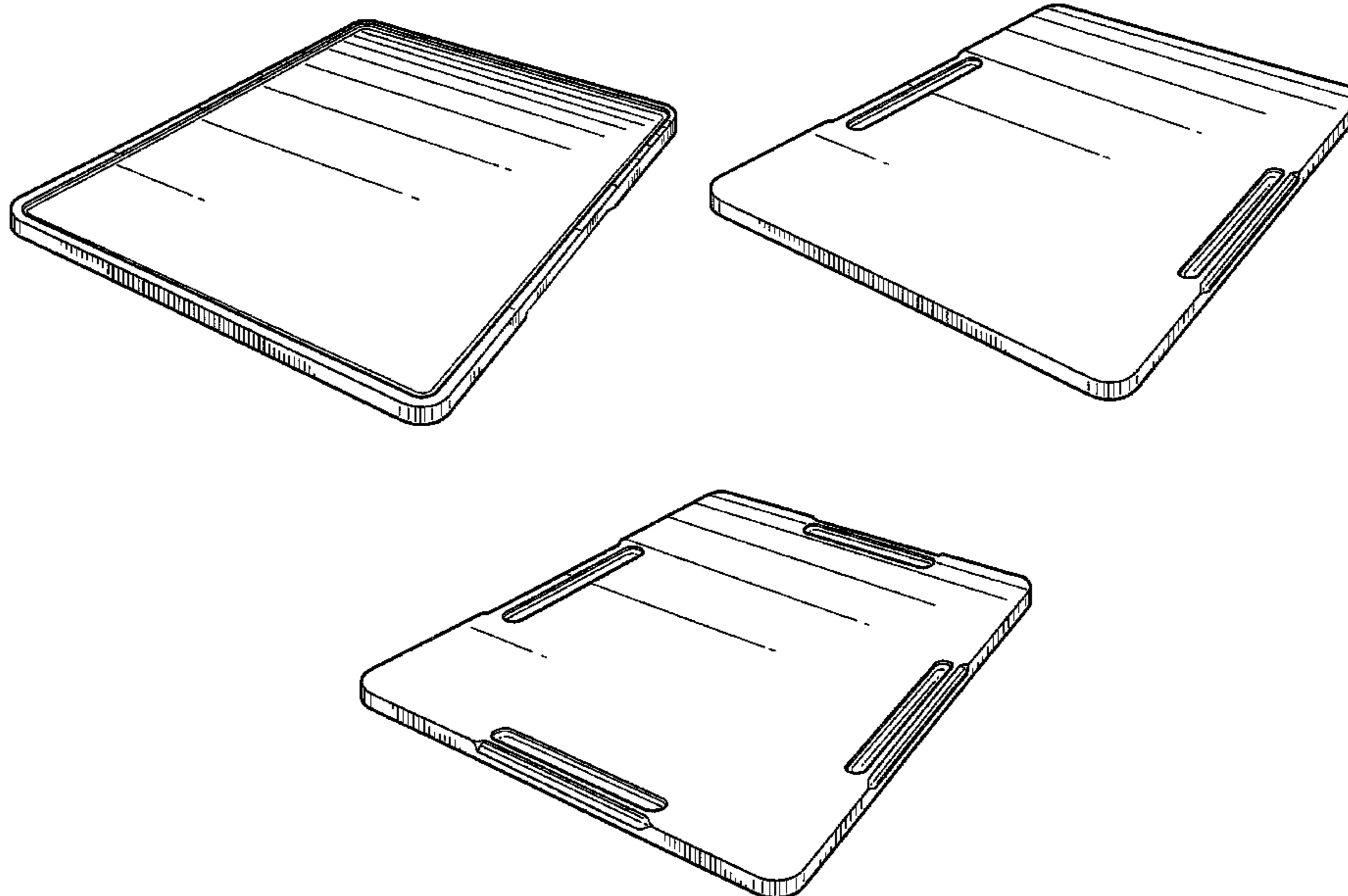
FIG. 8 is a bottom perspective view of the culinary cutting board with perimeter rim of FIG. 7;

FIG. 9 is a front elevational view of the culinary cutting board with perimeter rim of FIG. 7;

FIG. 10 is a rear elevational view of the culinary cutting board with perimeter rim of FIG. 7; and,

FIG. 11 is a bottom plan view of the culinary cutting board with perimeter rim of FIG. 7.

1 Claim, 8 Drawing Sheets



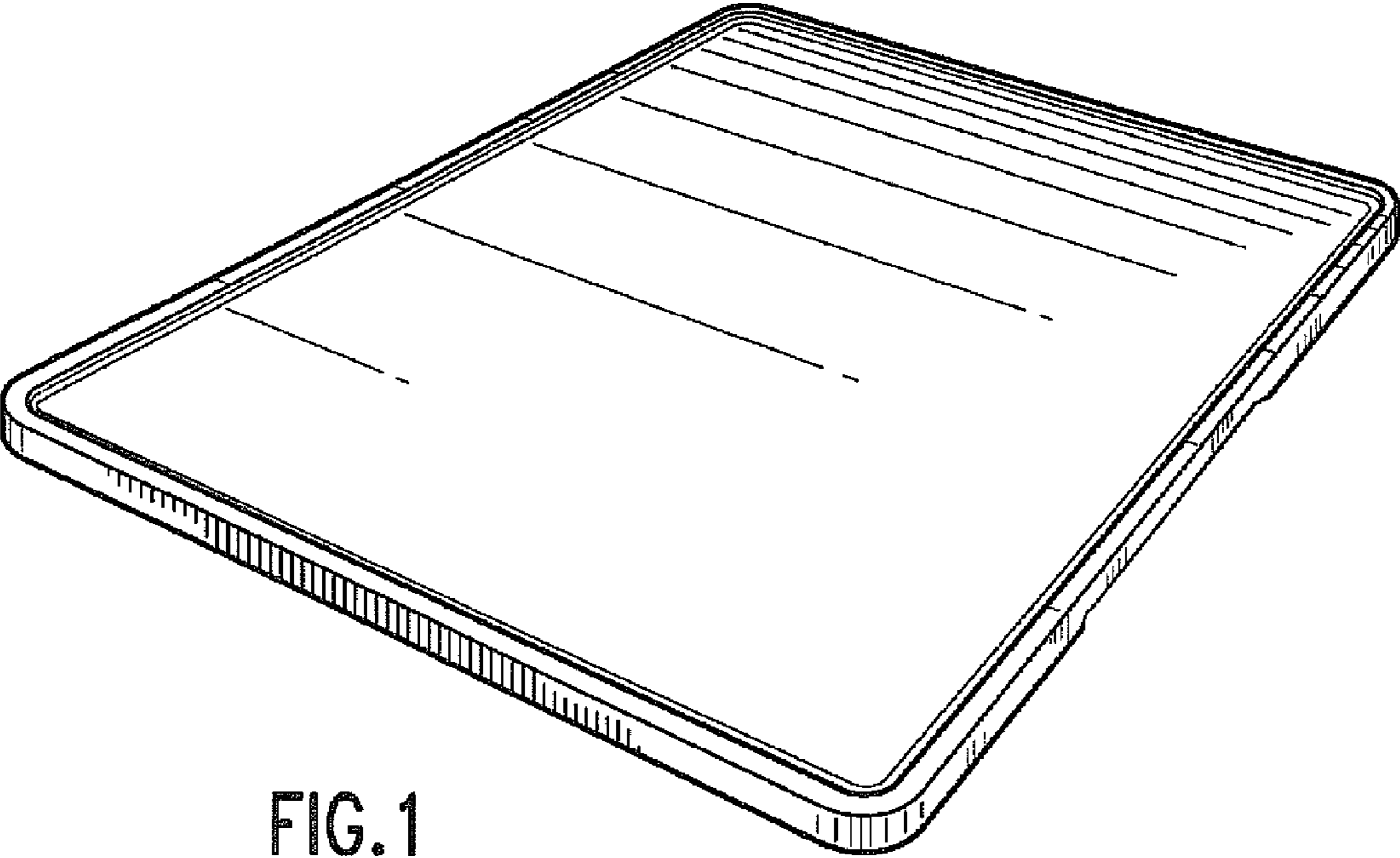


FIG. 1

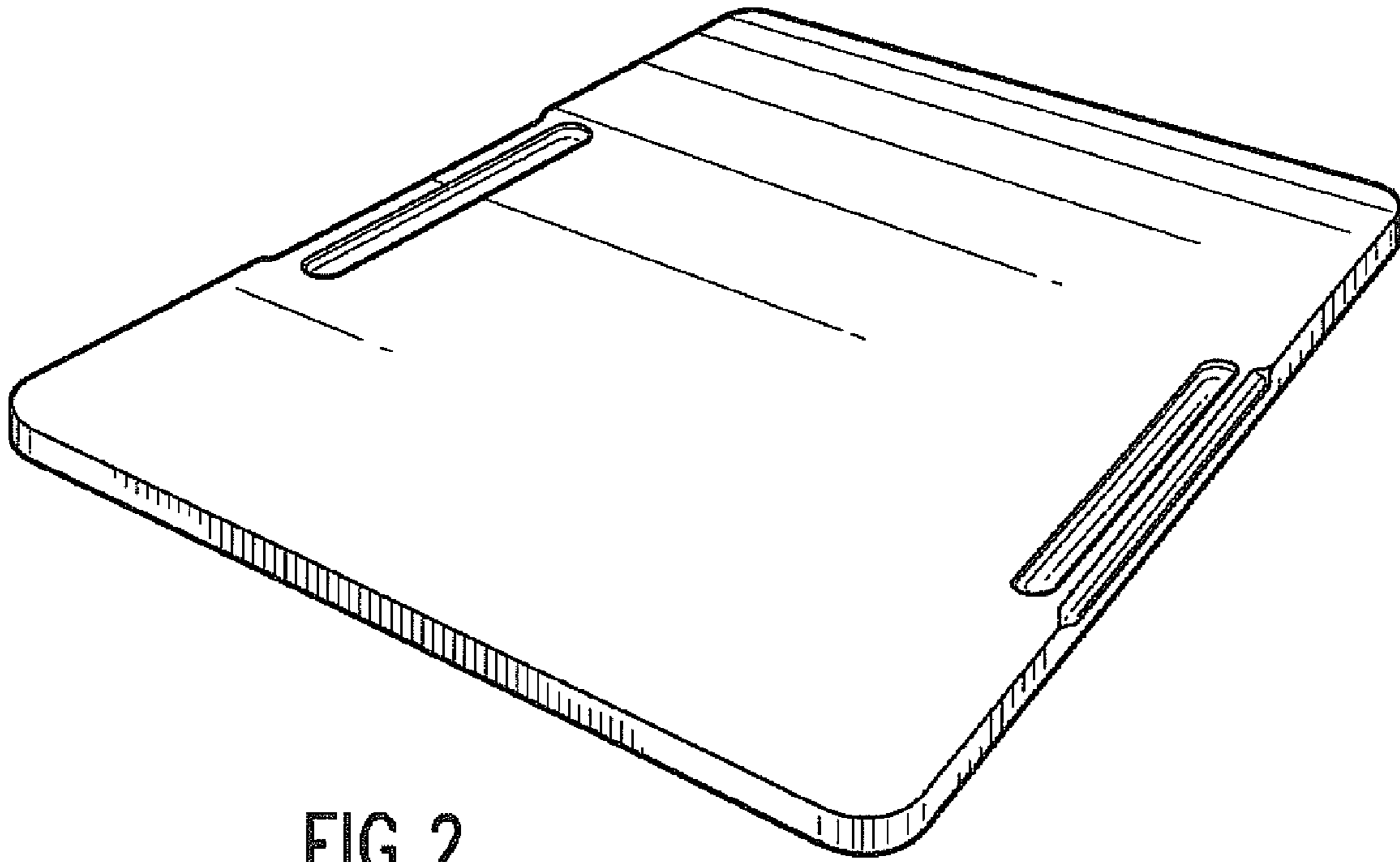


FIG. 2

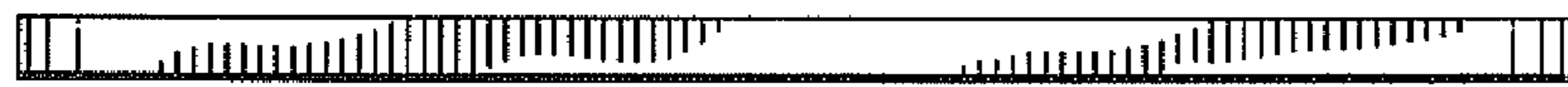


FIG. 3

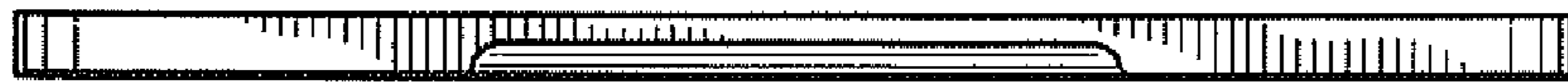


FIG. 4



FIG. 5

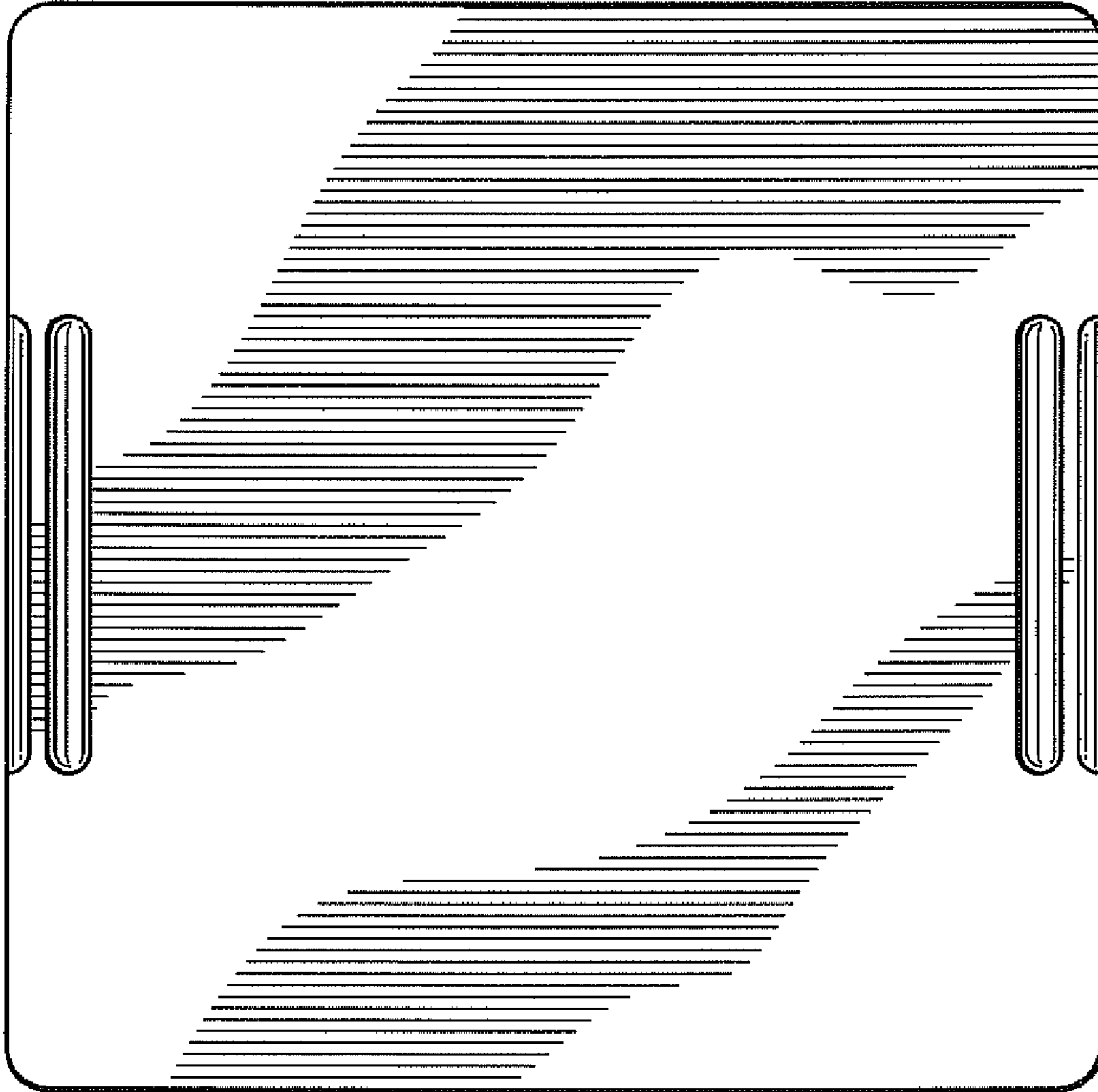


FIG. 6

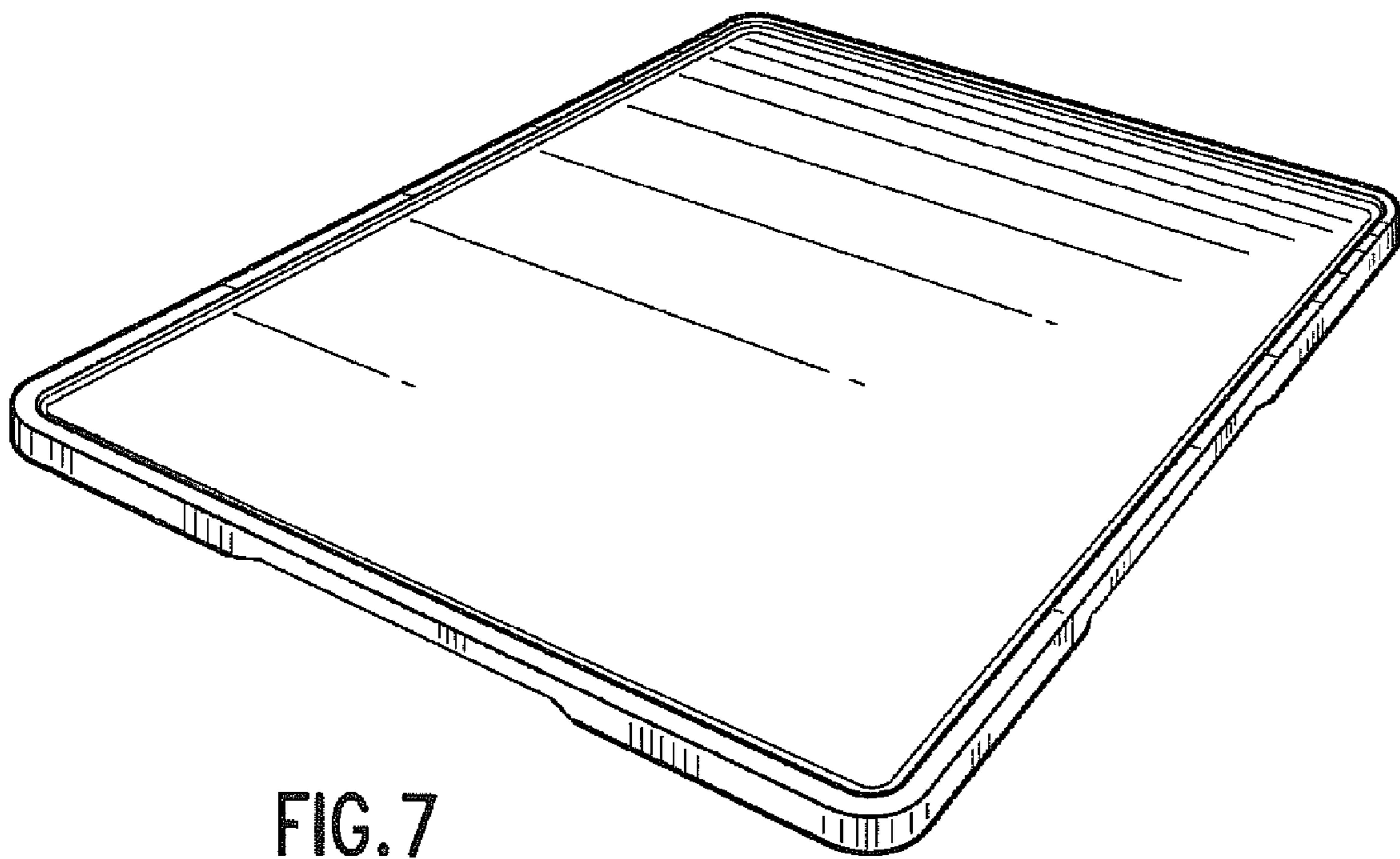


FIG. 7

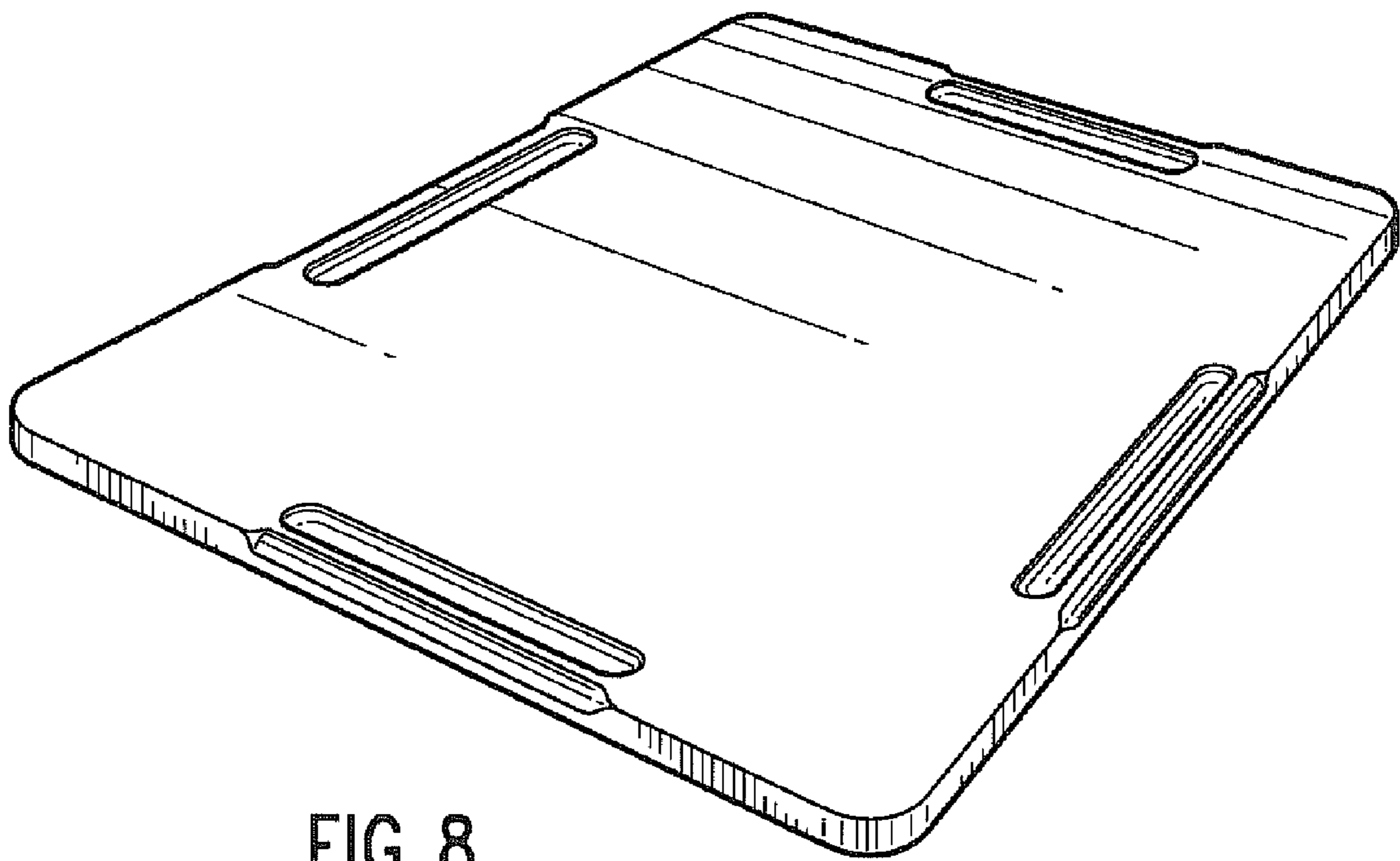


FIG. 8

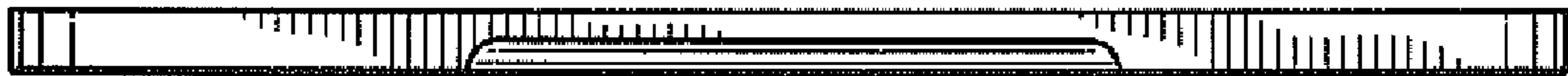


FIG. 9



FIG. 10

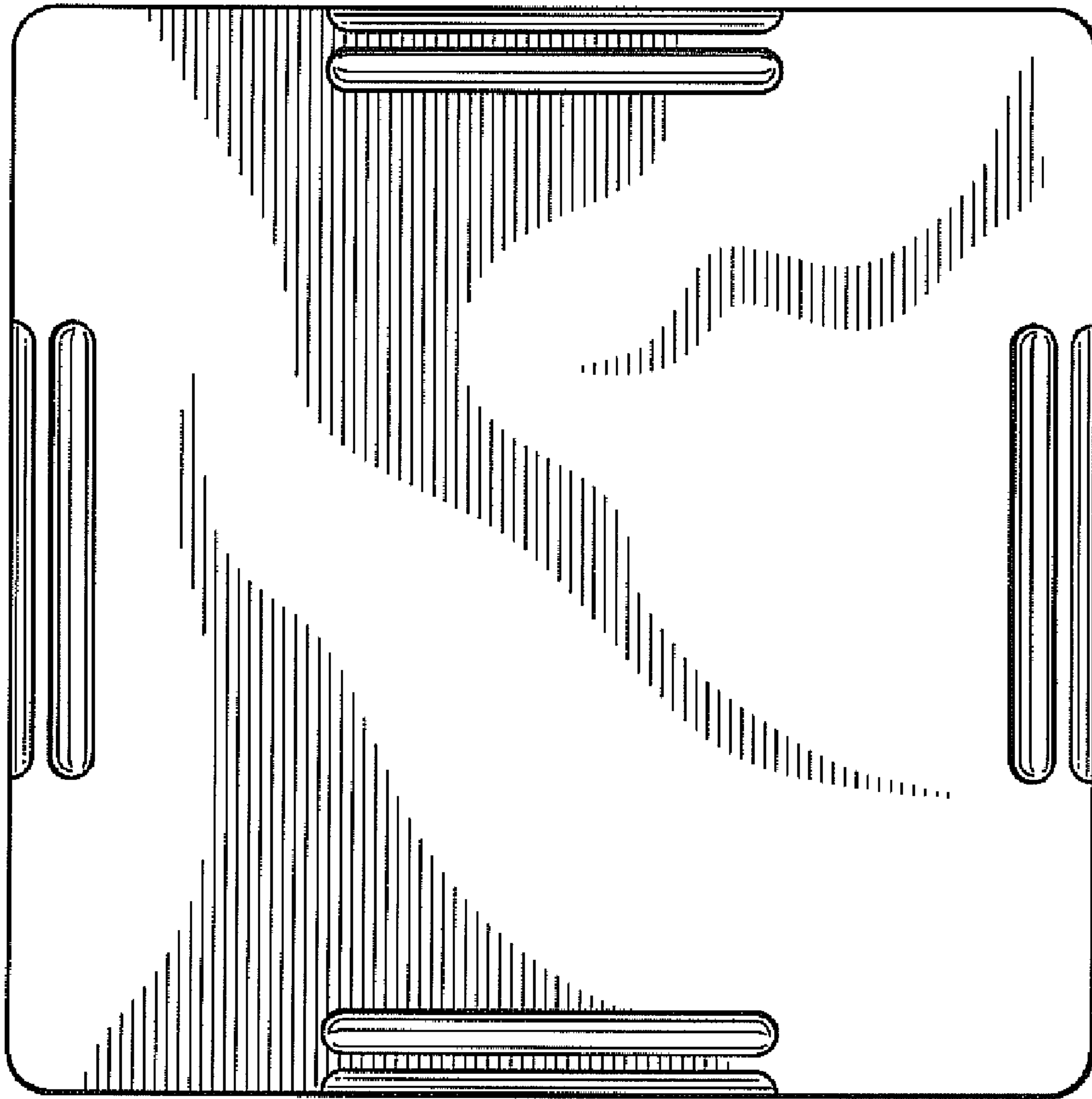


FIG. 11