

US00D570165S

(12) **United States Design Patent**
Caucci

(10) **Patent No.:** **US D570,165 S**
(45) **Date of Patent:** **** Jun. 3, 2008**

(54) **STRAINER FOR CANNED FOODS**

(76) **Inventor:** **Steven Caucci**, 1130 Beaver St., Apt.
A, Bristol, PA (US) 19007

(**) **Term:** **14 Years**

(21) **Appl. No.:** **29/291,803**

(22) **Filed:** **Sep. 14, 2007**

(51) **LOC (8) Cl.** **07-04**

(52) **U.S. Cl.** **D7/666; D7/686**

(58) **Field of Classification Search** D7/666-668,
D7/683-686; 99/495, 506-508; 210/464,
210/470, 65.5; 100/104, 110, 116, 126, 234,
100/243, 293; 30/324-328

See application file for complete search history.

(56) **References Cited**

U.S. PATENT DOCUMENTS

2,484,461	A *	10/1949	Perry, Jr.	100/234
3,292,963	A *	12/1966	Materyn	D7/687
3,995,544	A	12/1976	Farley	
4,355,574	A *	10/1982	Bond et al.	100/234
4,904,009	A *	2/1990	Kozlinski	100/234
D311,116	S	10/1990	Pentland	
D337,702	S	7/1993	Lange	
D342,649	S *	12/1993	Miller et al.	D7/666
D358,304	S	5/1995	Hoddinott	
D366,189	S	1/1996	Bidlack	
5,551,741	A *	9/1996	LaBocchetta	100/234
5,590,590	A	1/1997	Zammit	
D396,387	S	7/1998	Marzullo	

5,893,596	A *	4/1999	Martin et al.	100/234
5,902,481	A	5/1999	Schwietert	
D421,555	S	3/2000	Duhamel	
6,092,460	A *	7/2000	Engelhardt	99/495
6,422,138	B1	7/2002	Ballard	
6,561,084	B2 *	5/2003	Lane	99/508
D485,136	S	1/2004	Golden	
D497,782	S	11/2004	Thiede	
D506,904	S *	7/2005	Schoonejans et al.	D7/666
D512,881	S	12/2005	Bertulis et al.	
2002/0092430	A1 *	7/2002	Dempsey	100/234

* cited by examiner

Primary Examiner—Terry A Wallace

(74) *Attorney, Agent, or Firm*—Robert C. Montgomery;
Eugene A Vittone, II

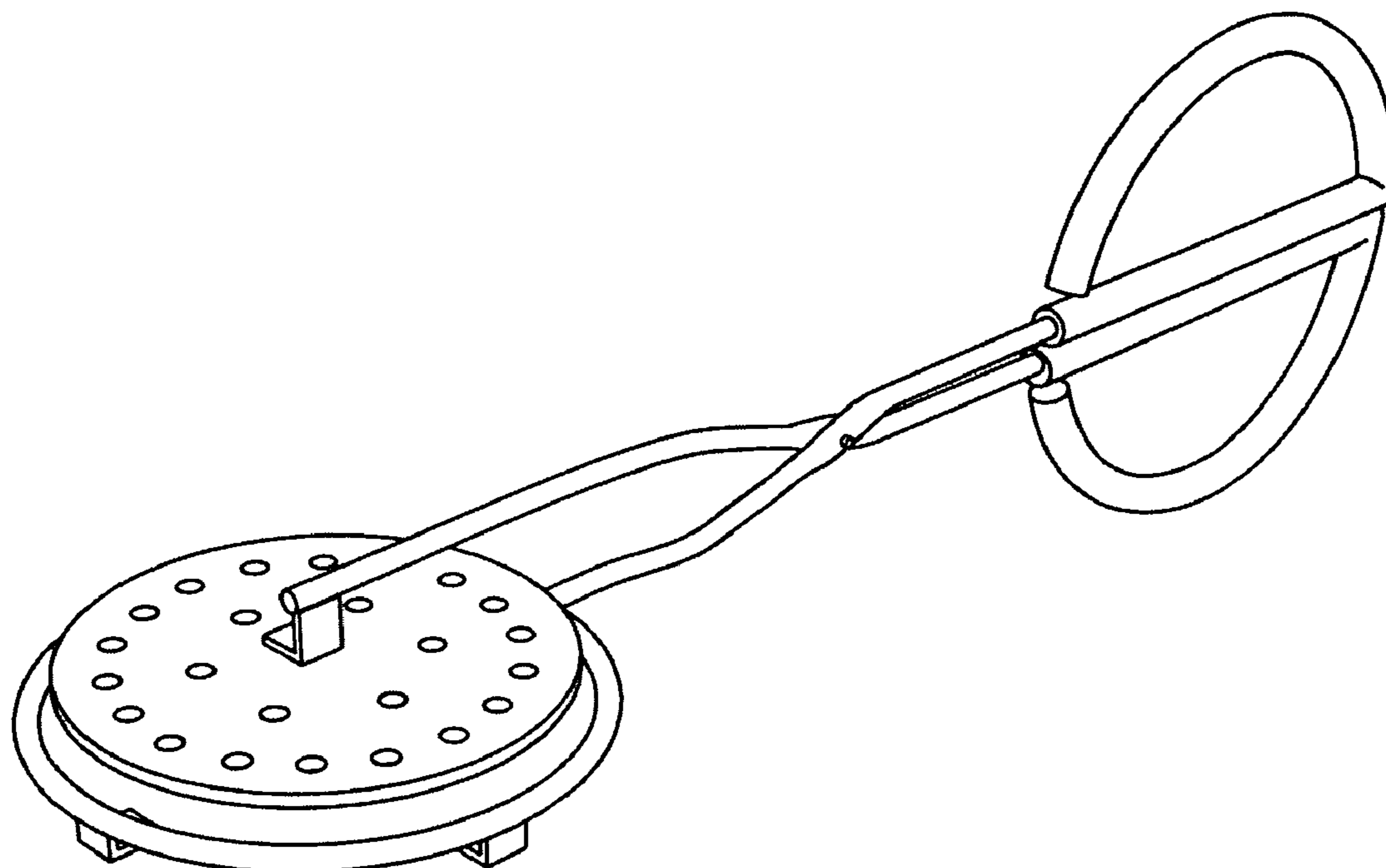
(57) **CLAIM**

The ornamental design for a strainer for canned foods, as shown and described.

DESCRIPTION

FIG. 1 is a perspective view of a strainer for canned foods, as shown and described;
FIG. 2 is a front view thereof;
FIG. 3 is a rear view thereof;
FIG. 4 is a side view thereof;
FIG. 5 is a top view thereof; and,
FIG. 6 is a bottom view thereof.

1 Claim, 6 Drawing Sheets



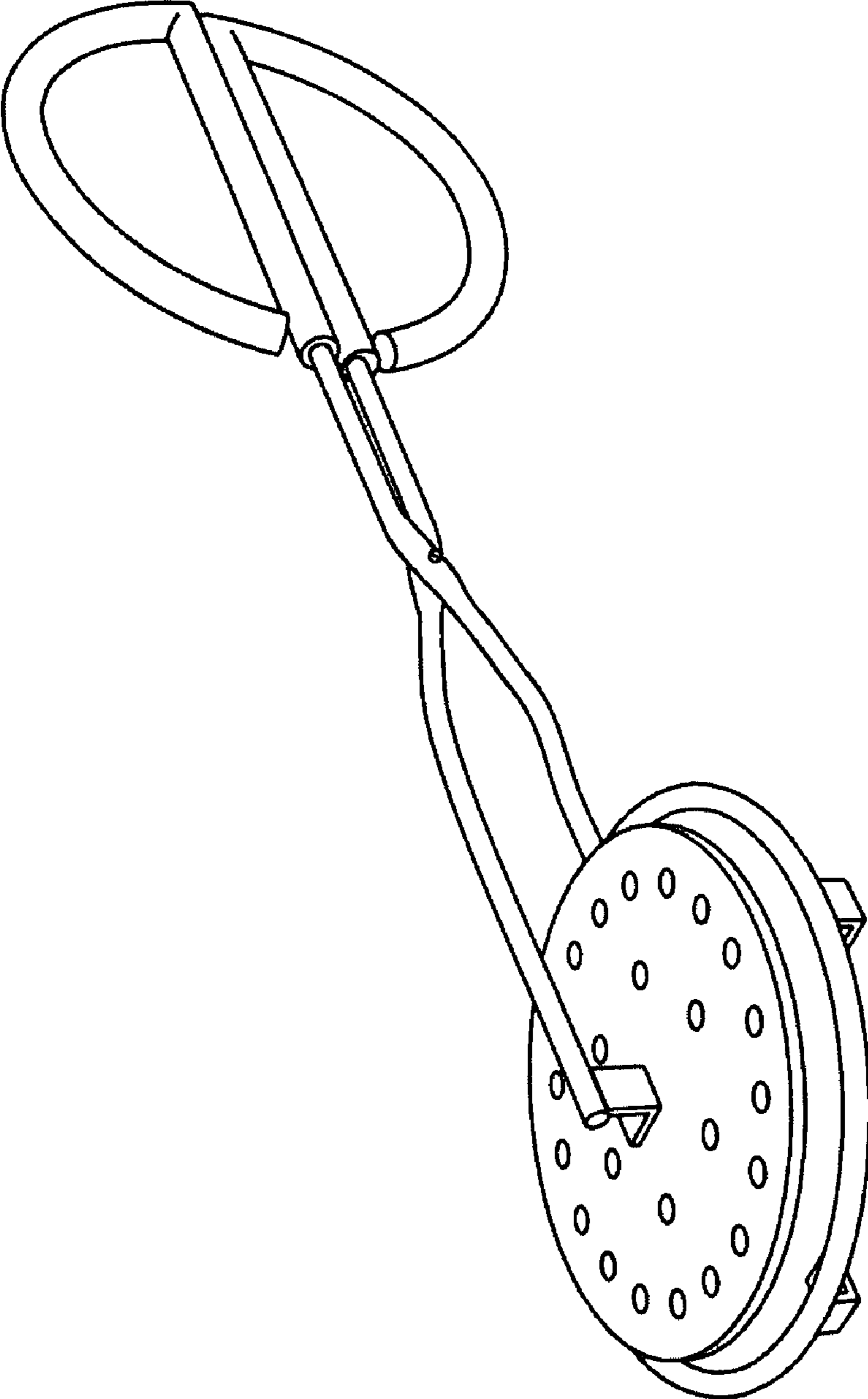


Fig. 1

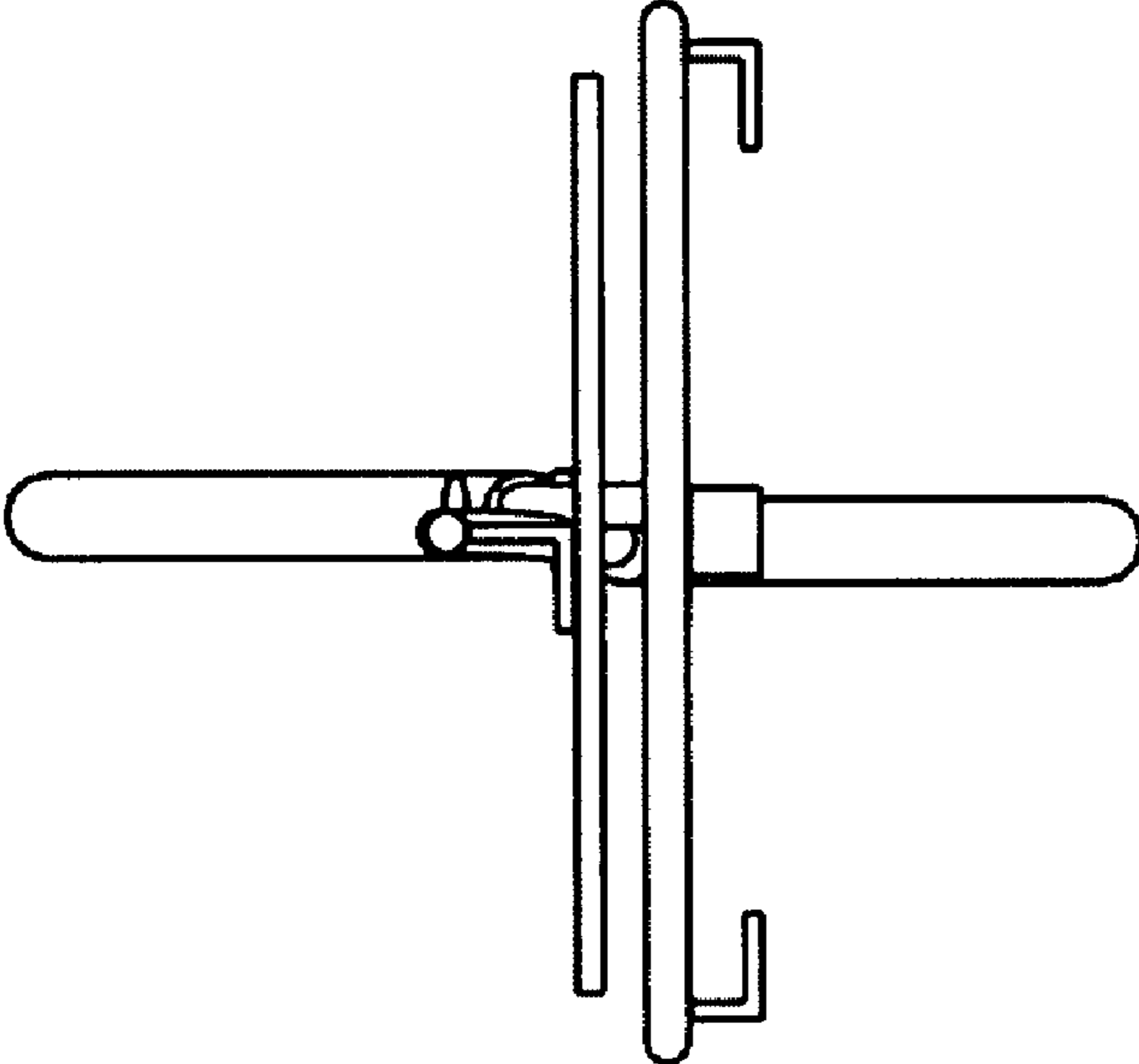


Fig. 2

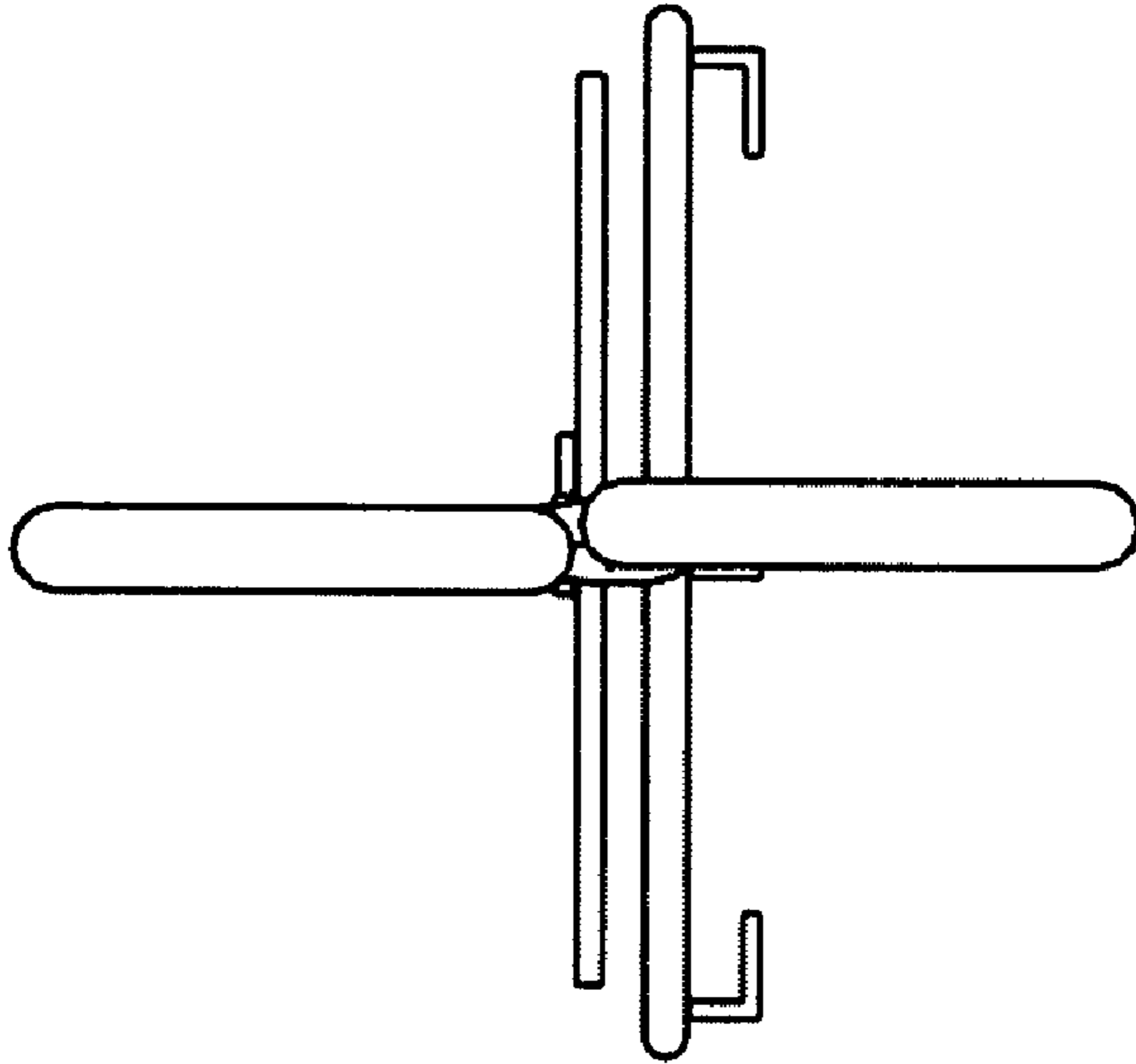


Fig. 3

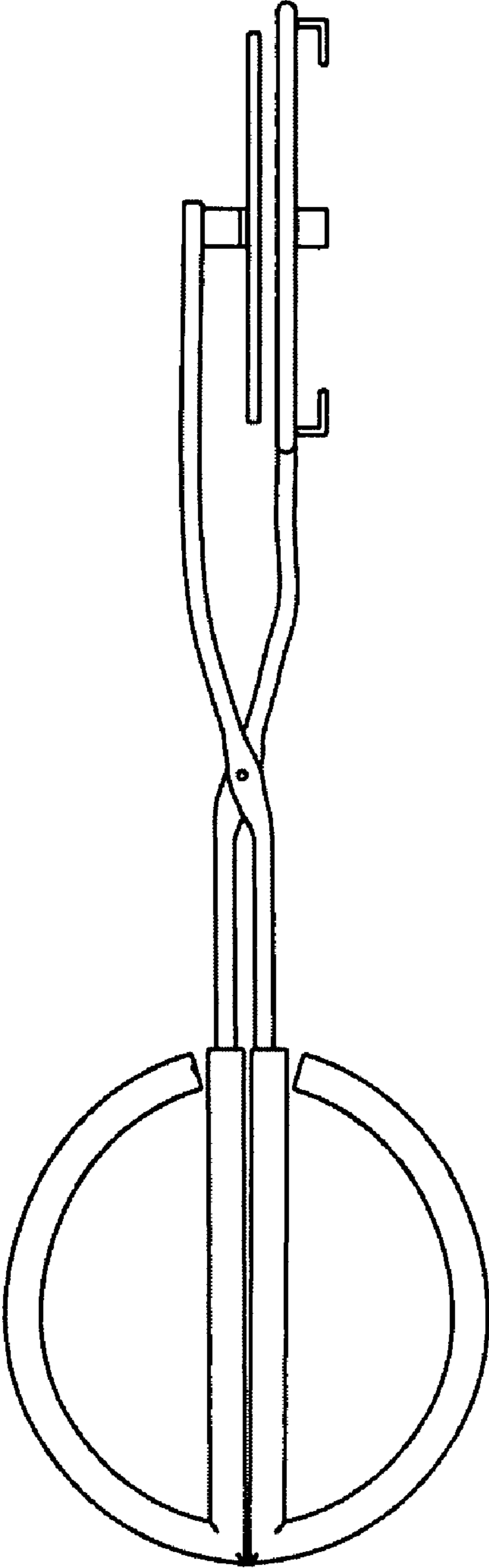


Fig. 4

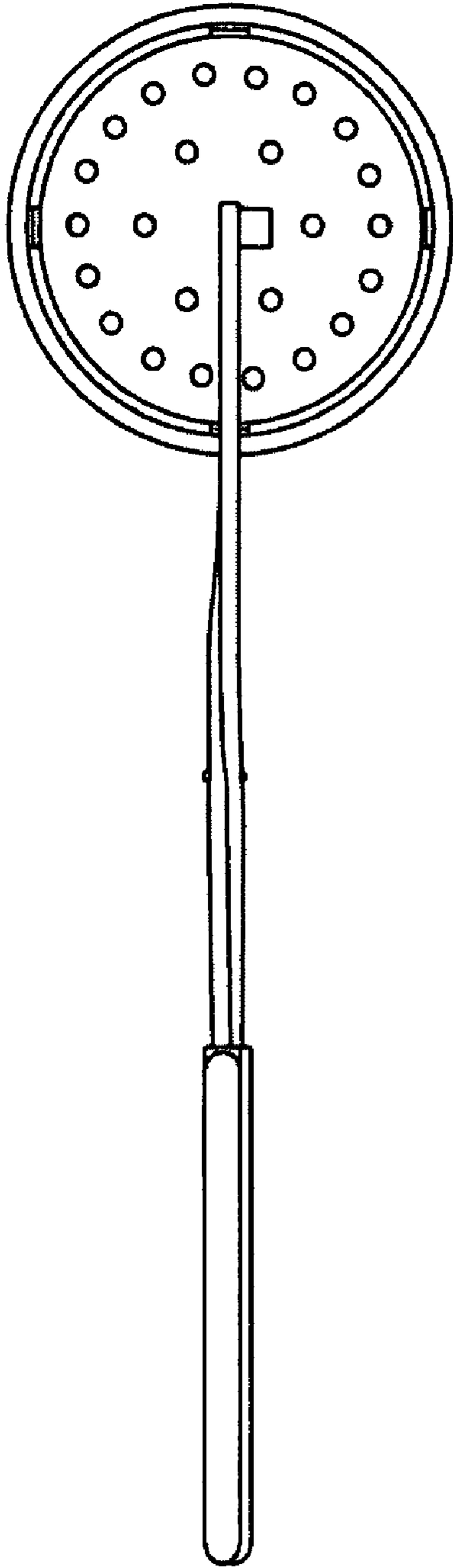


Fig. 5

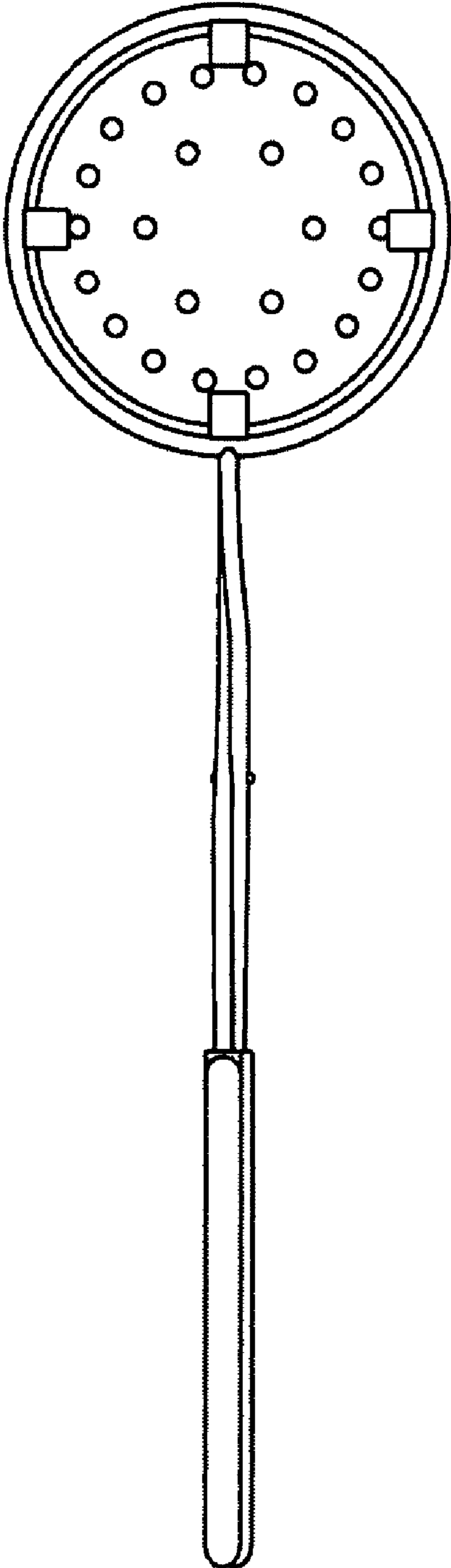


Fig. 6