

US00D570162S

(12) **United States Design Patent**
Blais

(10) **Patent No.:** **US D570,162 S**
(45) **Date of Patent:** **** Jun. 3, 2008**

(54) **RELEASABLY ATTACHABLE CUP HOLDER**

(76) Inventor: **Michel Blais**, 188, Cousin Nord,
Saint-Jean-sur-Richelieu, Quebec (CA)
J3B 5T4

(**) Term: **14 Years**

(21) Appl. No.: **29/297,956**

(22) Filed: **Nov. 23, 2007**

(51) **LOC (8) Cl.** **07-06**

(52) **U.S. Cl.** **D7/620**

(58) **Field of Classification Search** D7/619.1-625,
D7/701-708; 248/309.1, 311.2; 220/737;
215/393-398; 224/414

See application file for complete search history.

(56) **References Cited**

U.S. PATENT DOCUMENTS

- 2,532,244 A * 11/1950 Pasmore 248/311.2
- 4,634,089 A * 1/1987 Wright et al. 248/311.2
- D303,057 S * 8/1989 Smith D7/620
- 5,318,266 A * 6/1994 Liu 248/311.2
- D368,628 S * 4/1996 Bergin D7/620

- D407,952 S * 4/1999 Kendrick D7/620
- 5,996,957 A * 12/1999 Kurtz 248/311.2
- D473,760 S * 4/2003 Perez D7/620
- D497,779 S * 11/2004 Giampavolo D7/620

* cited by examiner

Primary Examiner—Terry A Wallace

(57) **CLAIM**

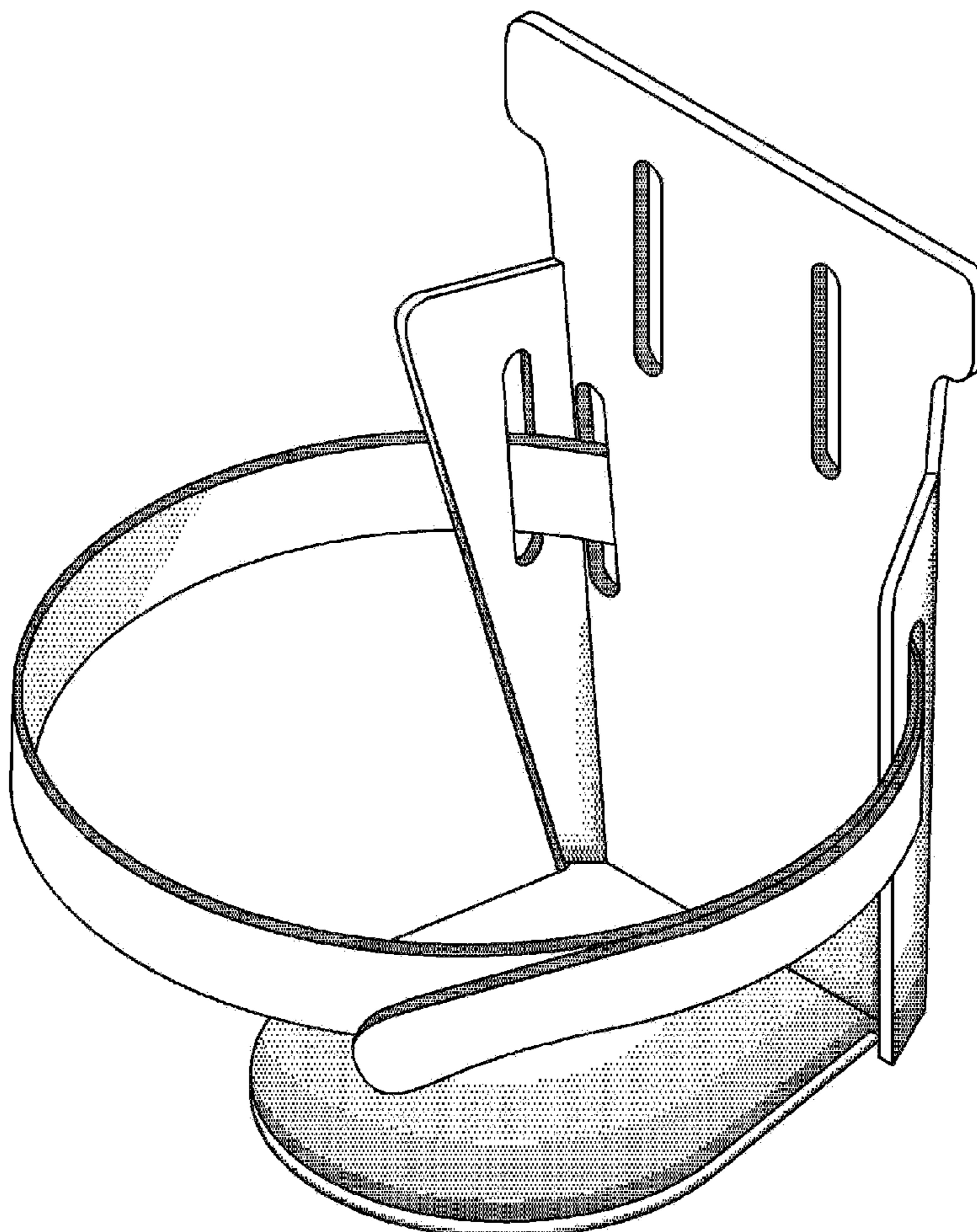
The ornamental design for a releasably attachable cup holder, as shown and described.

DESCRIPTION

FIG. 1 is a perspective view
 FIG. 2 is a front view
 FIG. 3 is a rear view
 FIG. 4 is a top view
 FIG. 5 is a side view; and,
 FIG. 6 is a side view of the design in context of use.

The broken lines are for illustrative purposes only and form no part of the claimed design.

1 Claim, 3 Drawing Sheets



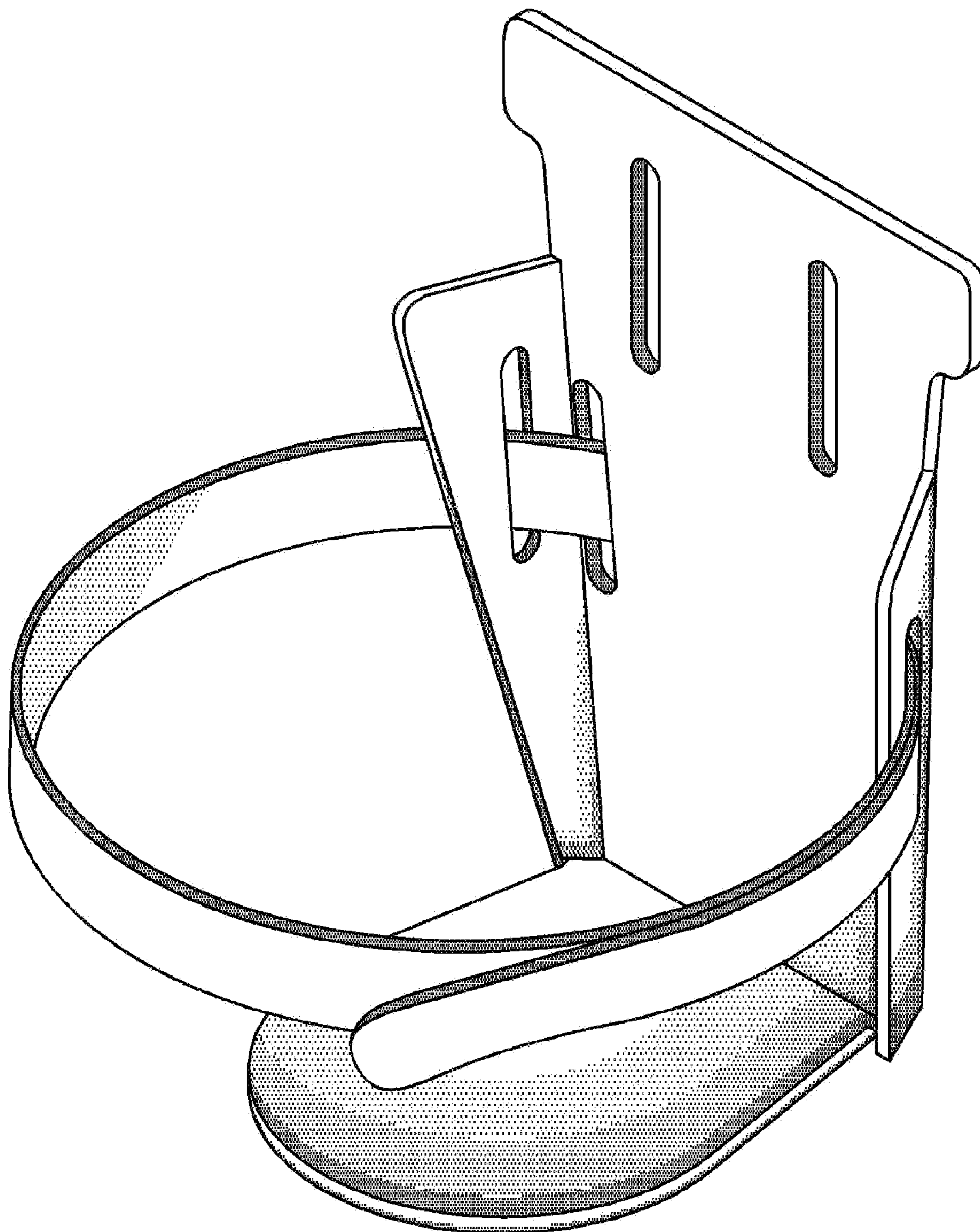


FIG. 1

FIG. 2

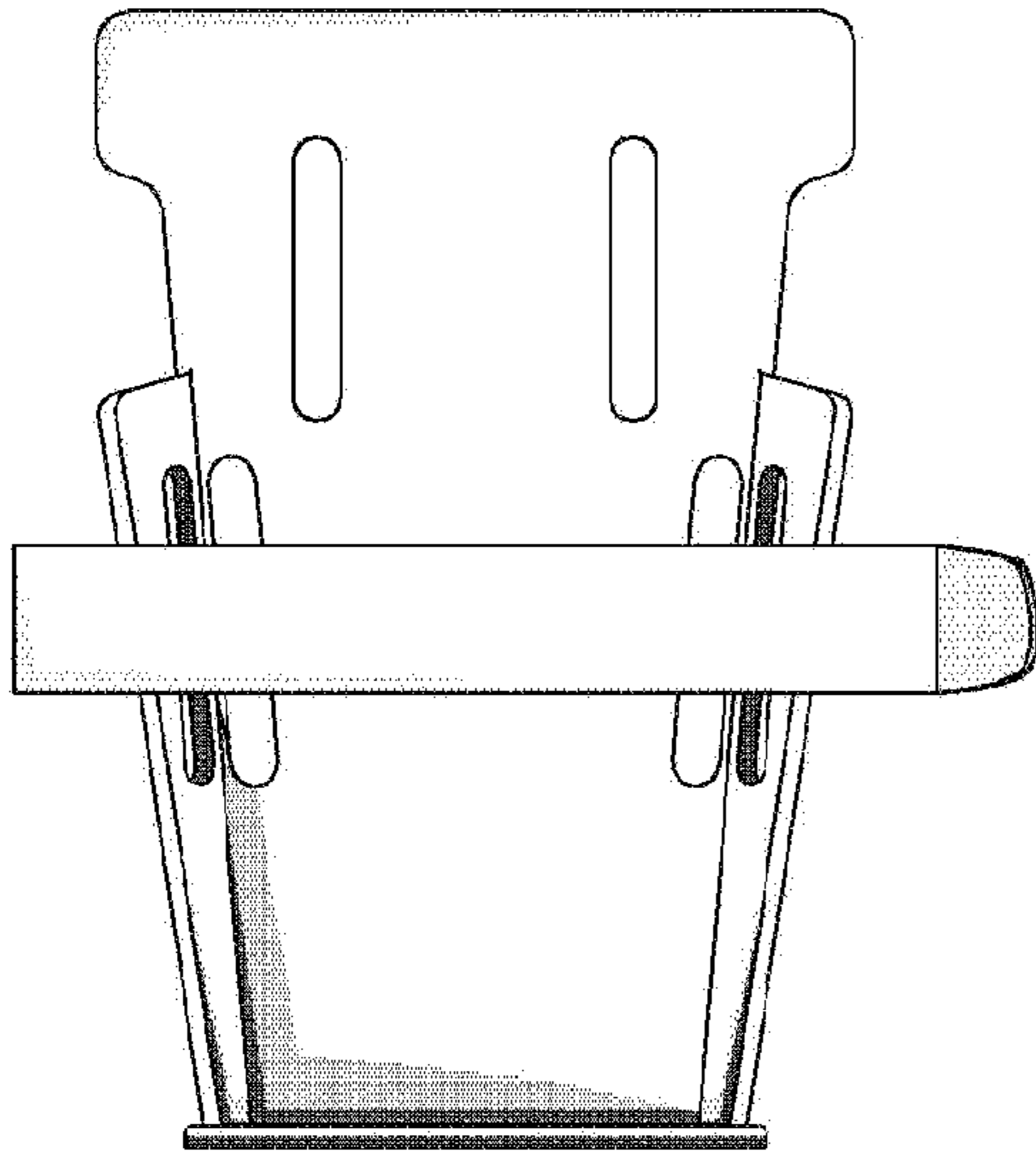


FIG. 4

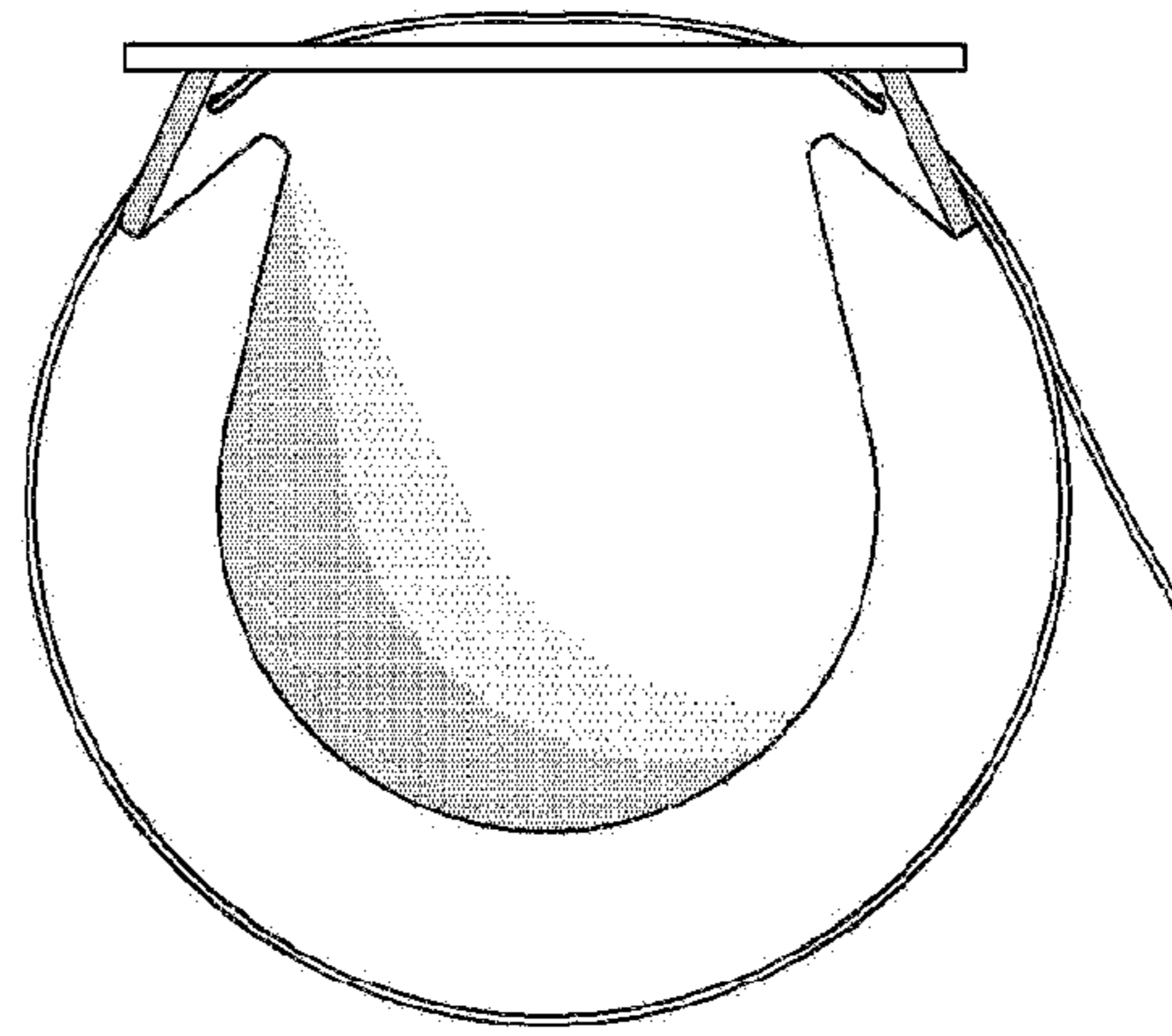


FIG. 3

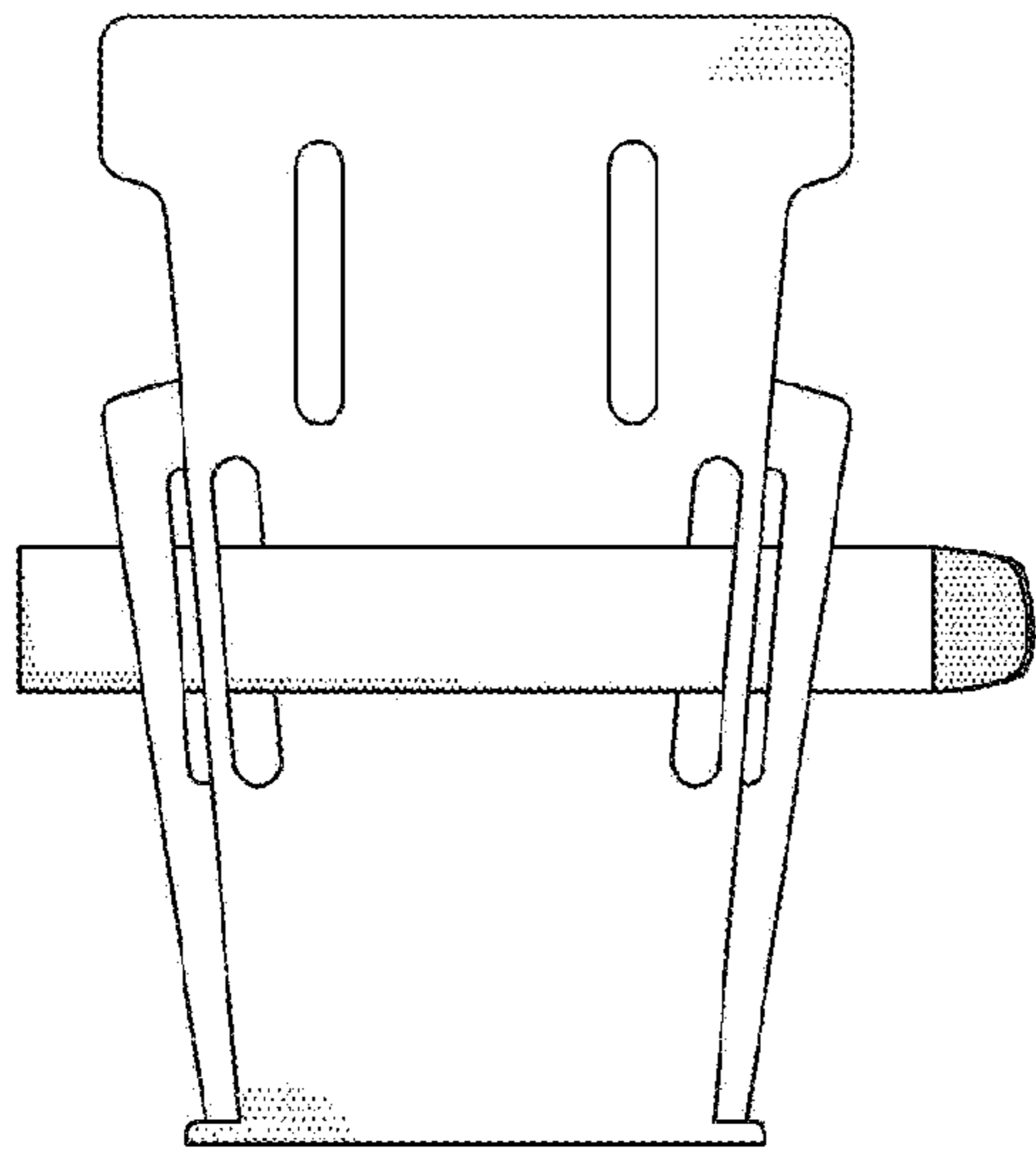


FIG. 5

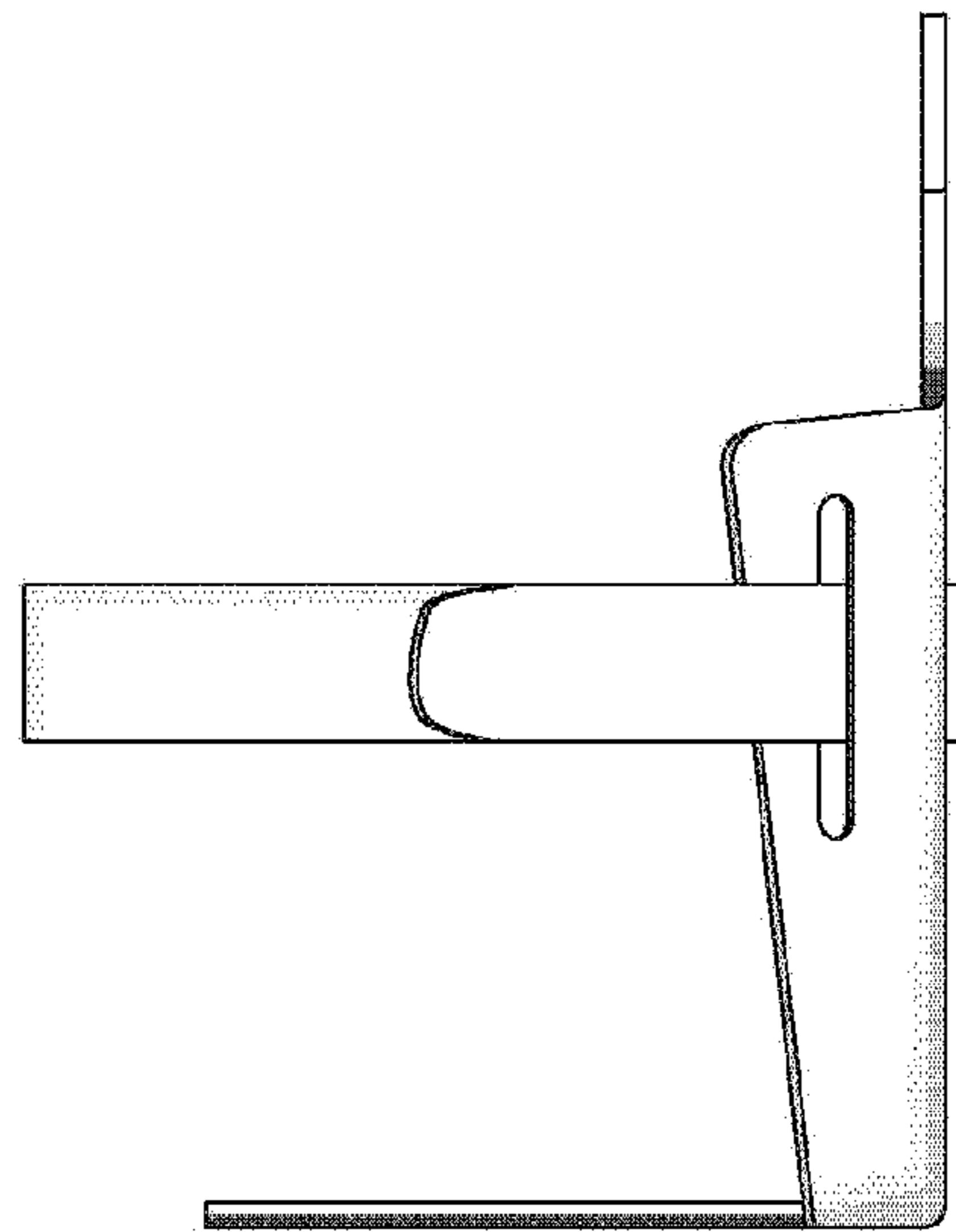


FIG. 6

