



US00D570161S

(12) **United States Design Patent**
Giovino

(10) **Patent No.:** **US D570,161 S**
(45) **Date of Patent:** **** Jun. 3, 2008**

- (54) **PATIO COOLER WITH CONVEX TOP**
- (75) Inventor: **Christopher J. Giovino**, Randolph, NJ
(US)
- (73) Assignee: **Sunjoy Industries Group, Inc.**,
Steubenville, OH (US)
- (**) Term: **14 Years**
- (21) Appl. No.: **29/279,997**
- (22) Filed: **May 14, 2007**

6,612,127 B2 * 9/2003 Simmons 62/457.2
 6,755,243 B2 * 6/2004 Cho et al. 165/289
 D520,305 S * 5/2006 Brodock et al. D7/605
 D525,084 S * 7/2006 Willis D7/605

* cited by examiner

Primary Examiner—Terry A Wallace
(74) *Attorney, Agent, or Firm*—Delevie Law, PLC

- (51) **LOC (8) Cl.** **07-01**
- (52) **U.S. Cl.** **D7/605**
- (58) **Field of Classification Search** D7/605–608;
D6/470–472; D15/79–84; 62/457.1–457.9,
62/246–254, 371, 372; 220/915.1, 915.2,
220/592.03, 592.09; D34/1; 312/114, 116,
312/117, 119

See application file for complete search history.

(56) **References Cited**

U.S. PATENT DOCUMENTS

- 3,591,194 A * 7/1971 Vega 62/457.1
- 4,581,902 A * 4/1986 Starck et al. 62/457.7
- D299,391 S * 1/1989 Meehan D6/440
- D401,479 S * 11/1998 Norman et al. D7/605
- D414,987 S * 10/1999 Moffett, III et al. D7/605
- D437,736 S * 2/2001 Moffett, III et al. D7/605
- D448,625 S * 10/2001 Moffett, III et al. D7/605
- 6,478,268 B1 * 11/2002 Bidwell et al. 62/457.1

(57) **CLAIM**

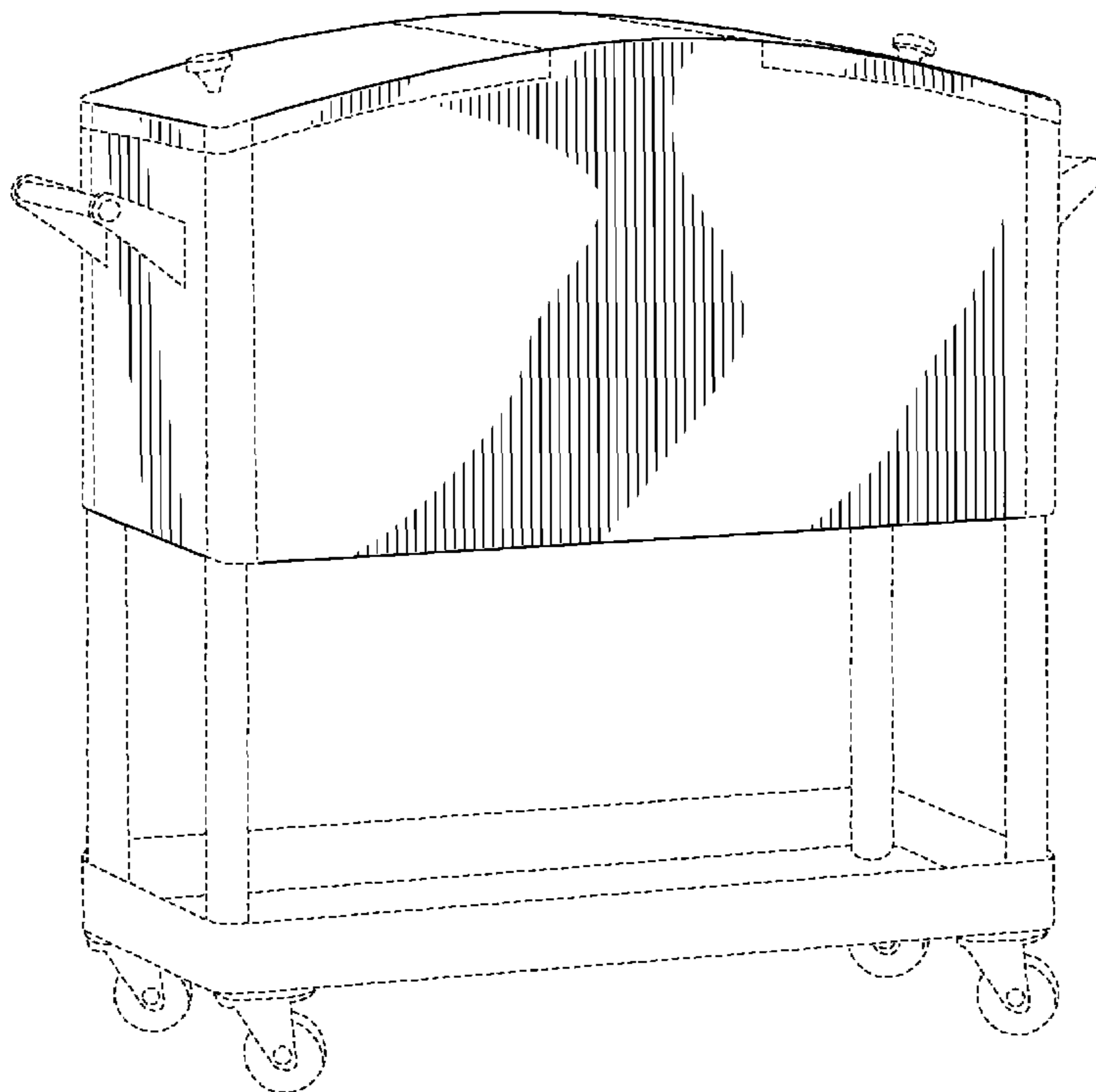
The ornamental design for a patio cooler with convex top, as shown and described.

DESCRIPTION

- FIG. 1 is a perspective view of a patio cooler in accordance with the invention;
- FIG. 2 is a front elevation of the patio cooler of FIG. 1 (the rear elevation of the patio cooler being identical to the front elevation as shown in FIG. 2);
- FIG. 3 is a right side elevation of the patio cooler of FIG. 1 (the left side elevation being identical to the right side elevation as shown in FIG. 3);
- FIG. 4 is a top plan view of the patio cooler of FIG. 1; and,
- FIG. 5 is a bottom view of the patio cooler of FIG. 1.

Broken lines are used in the Drawings to denote certain subject matter, for example, environmental structure or boundaries, that are for illustrative purposes only and form no part of the claimed design.

1 Claim, 5 Drawing Sheets



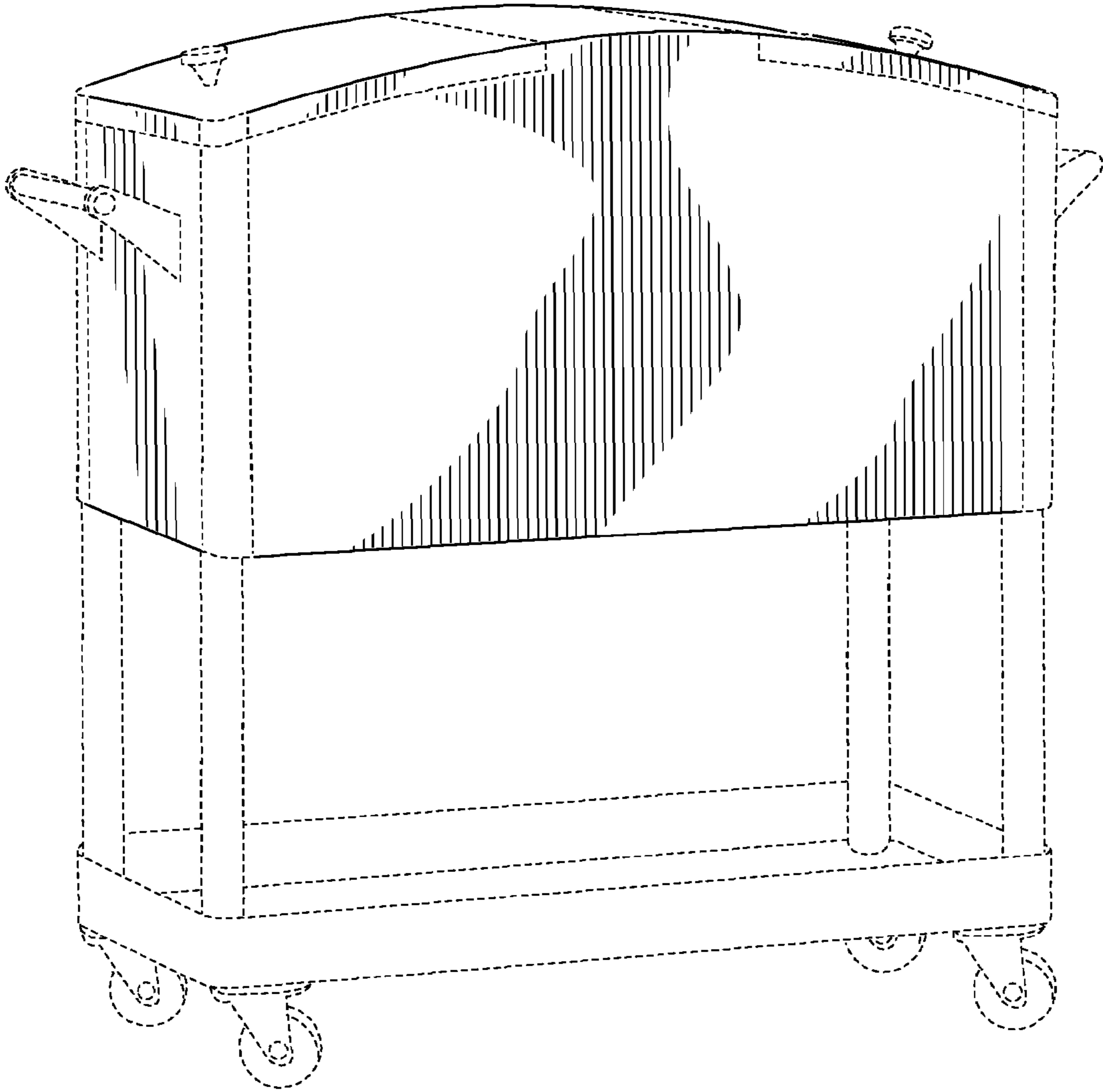


FIG. 1

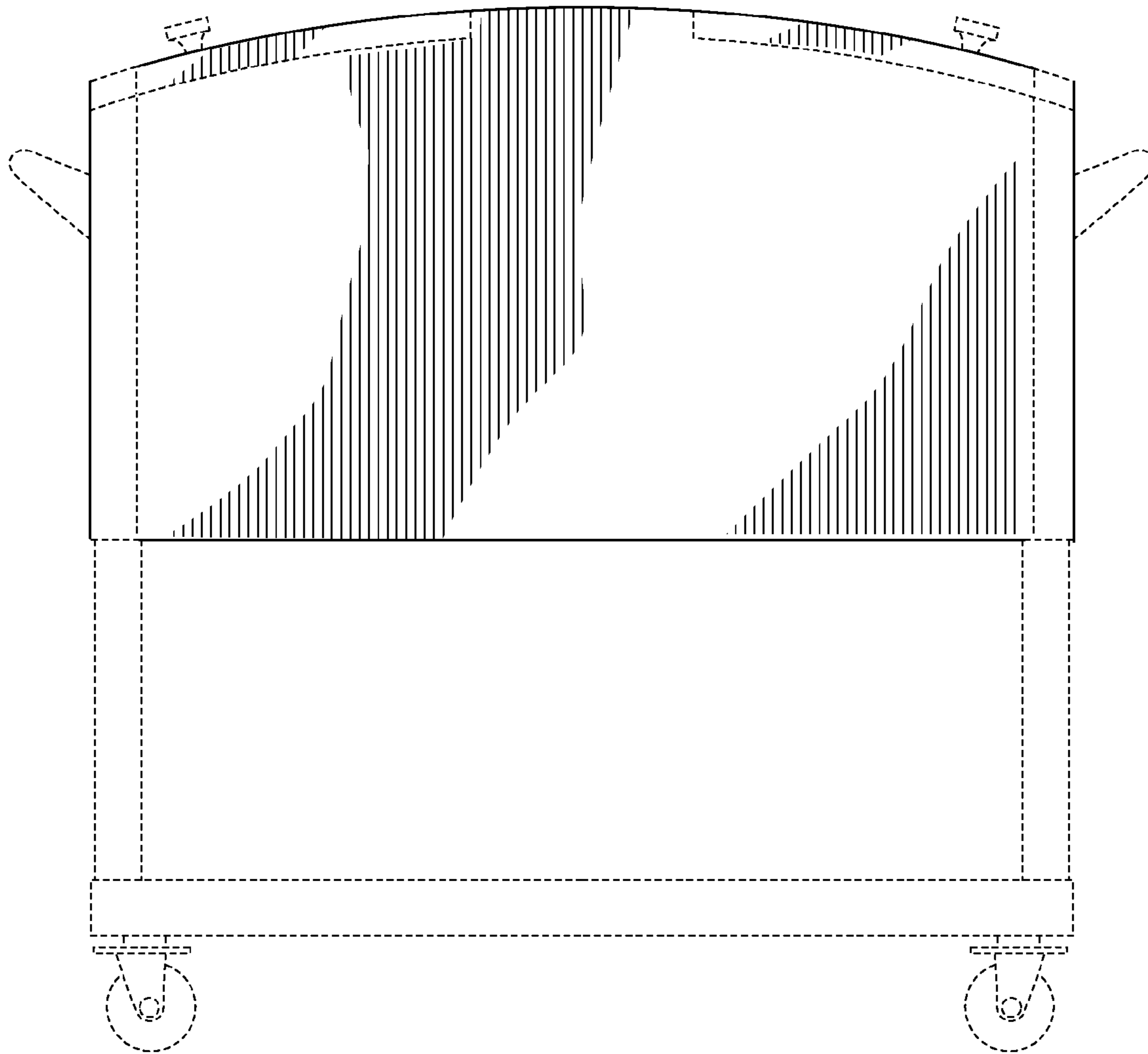


FIG. 2

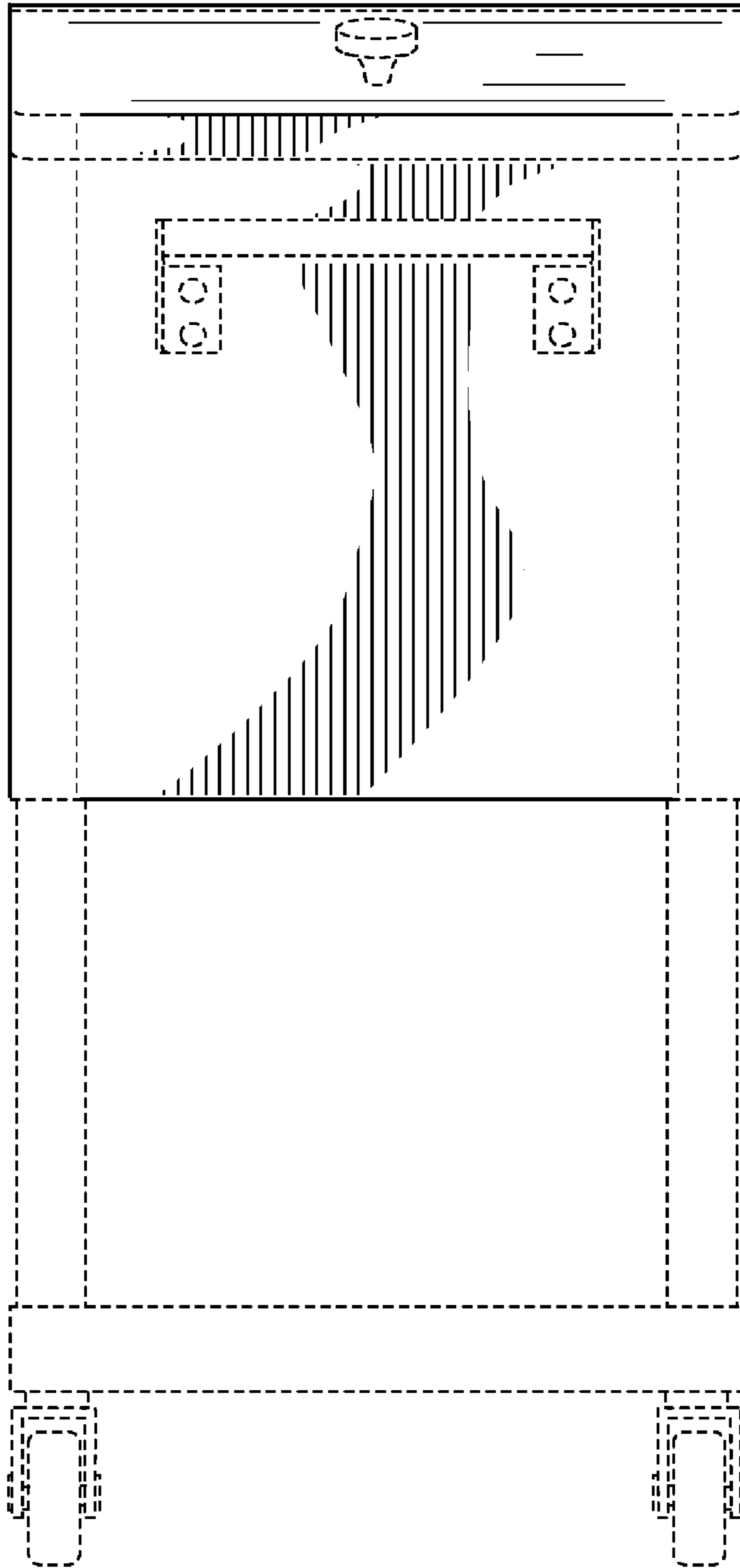


FIG. 3



FIG. 4



FIG. 5