



US00D570153S

(12) **United States Design Patent**
Bergara

(10) **Patent No.:** **US D570,153 S**

(45) **Date of Patent:** **** Jun. 3, 2008**

(54) **PRESSURE COOKER**

(75) Inventor: **Anartz Bergara**, Lazkao (ES)

(73) Assignee: **Fagor, S. Coop.**, Mondragon (ES)

(**) Term: **14 Years**

(21) Appl. No.: **29/289,804**

(22) Filed: **Aug. 1, 2007**

(30) **Foreign Application Priority Data**

Feb. 2, 2007 (EM) 000662531-0001

(51) **LOC (8) Cl.** **07-02**

(52) **U.S. Cl.** **D7/358**

(58) **Field of Classification Search** D7/323,
D7/354-361; 99/324, 325, 329 R, 330-339;
220/203.01, 203.07, 303, 573.1
See application file for complete search history.

(56) **References Cited**

U.S. PATENT DOCUMENTS

- D253,867 S * 1/1980 Boldt et al. D7/358
- 4,257,394 A * 3/1981 Zabel 126/374.1
- D263,782 S * 4/1982 Jackson et al. D7/358
- D295,817 S * 5/1988 Sebillotte D7/358
- D312,751 S * 12/1990 Moreno D7/358
- D353,969 S * 1/1995 Savinel D7/358
- D365,494 S * 12/1995 Roussard D7/358

- D384,547 S * 10/1997 Roussard et al. D7/358
- D432,349 S * 10/2000 Jo D7/358
- D433,273 S * 11/2000 Roussard D7/358
- D455,600 S * 4/2002 Barrena D7/358
- D530,145 S * 10/2006 Bergara D7/358
- D530,974 S * 10/2006 Bergara D7/358

FOREIGN PATENT DOCUMENTS

CH 621252 A5 * 1/1981

* cited by examiner

Primary Examiner—Caron D. Veynar

Assistant Examiner—Ricky Pham

(74) *Attorney, Agent, or Firm*—The Kline Law Firm

(57) **CLAIM**

The ornamental design for a pressure cooker, as shown.

DESCRIPTION

FIG. 1 is a perspective view of the pressure cooker showing my new design.

FIG. 2 is a left elevational view of the pressure cooker.

FIG. 3 is a rear elevational view of the pressure cooker.

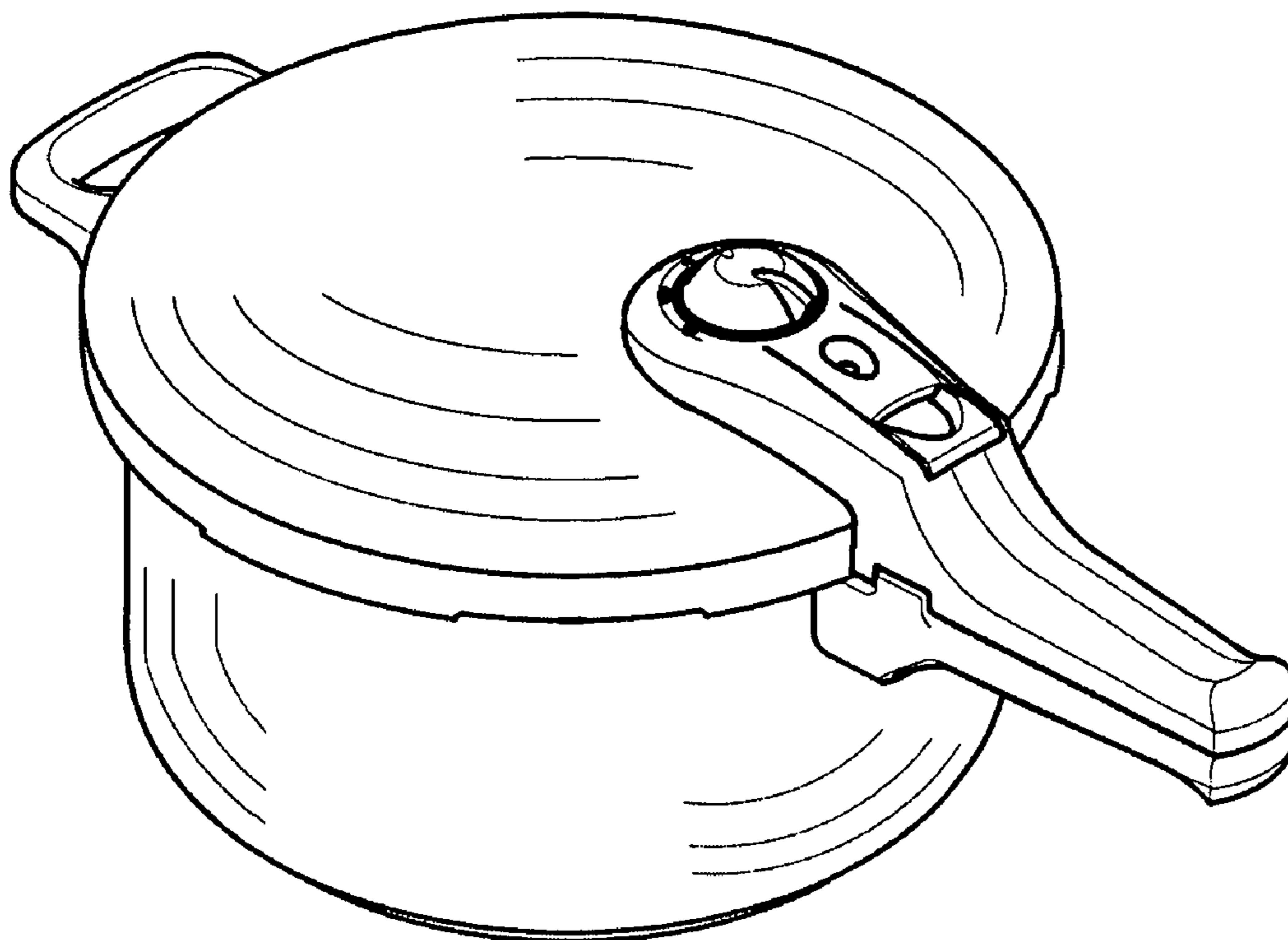
FIG. 4 is a right elevational view of the pressure cooker.

FIG. 5 is a front elevational view of the pressure cooker.

FIG. 6 is a bottom plan view of the pressure cooker; and,

FIG. 7 is a top plan view of the pressure cooker.

1 Claim, 7 Drawing Sheets



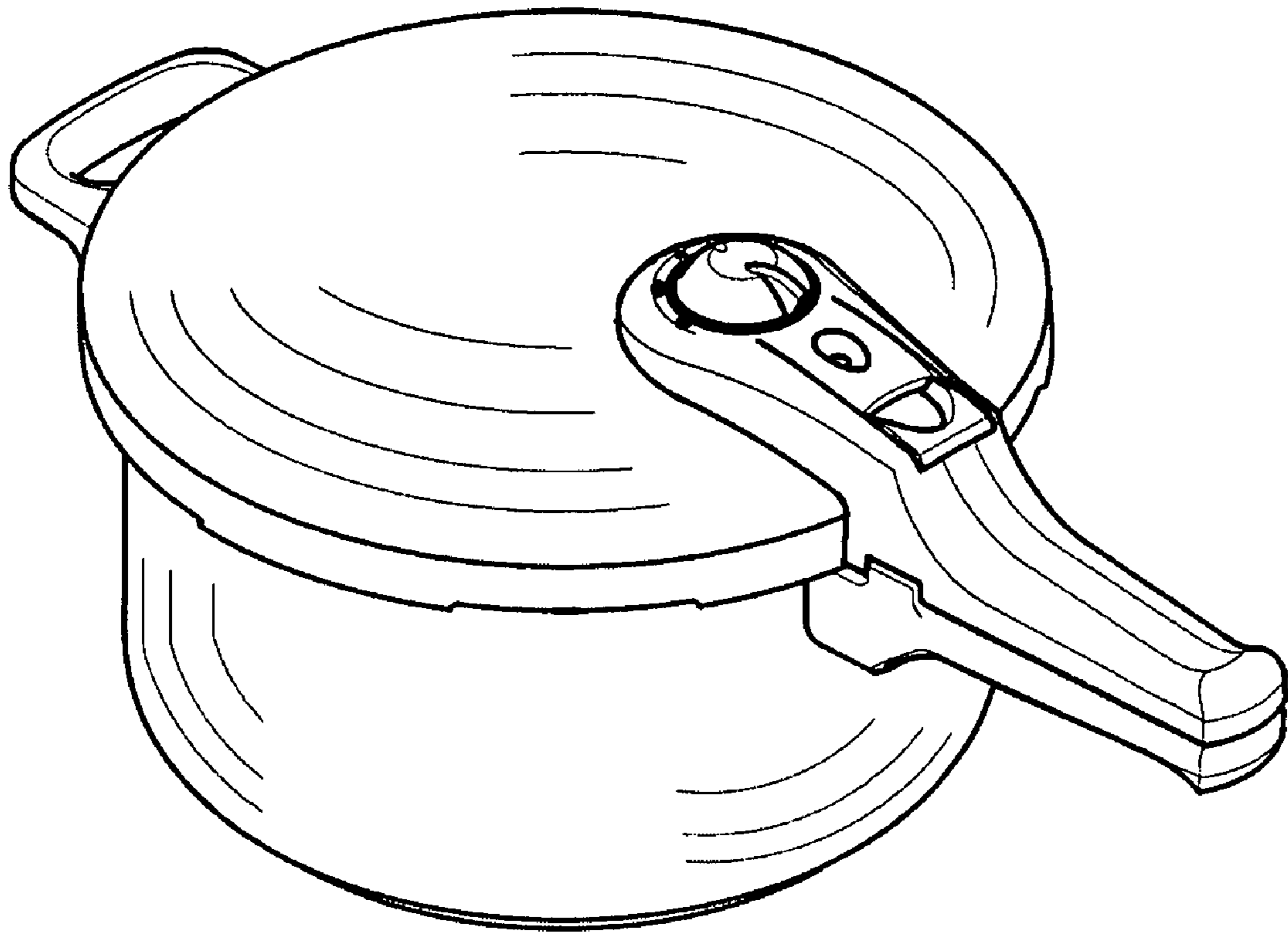


Fig. 1

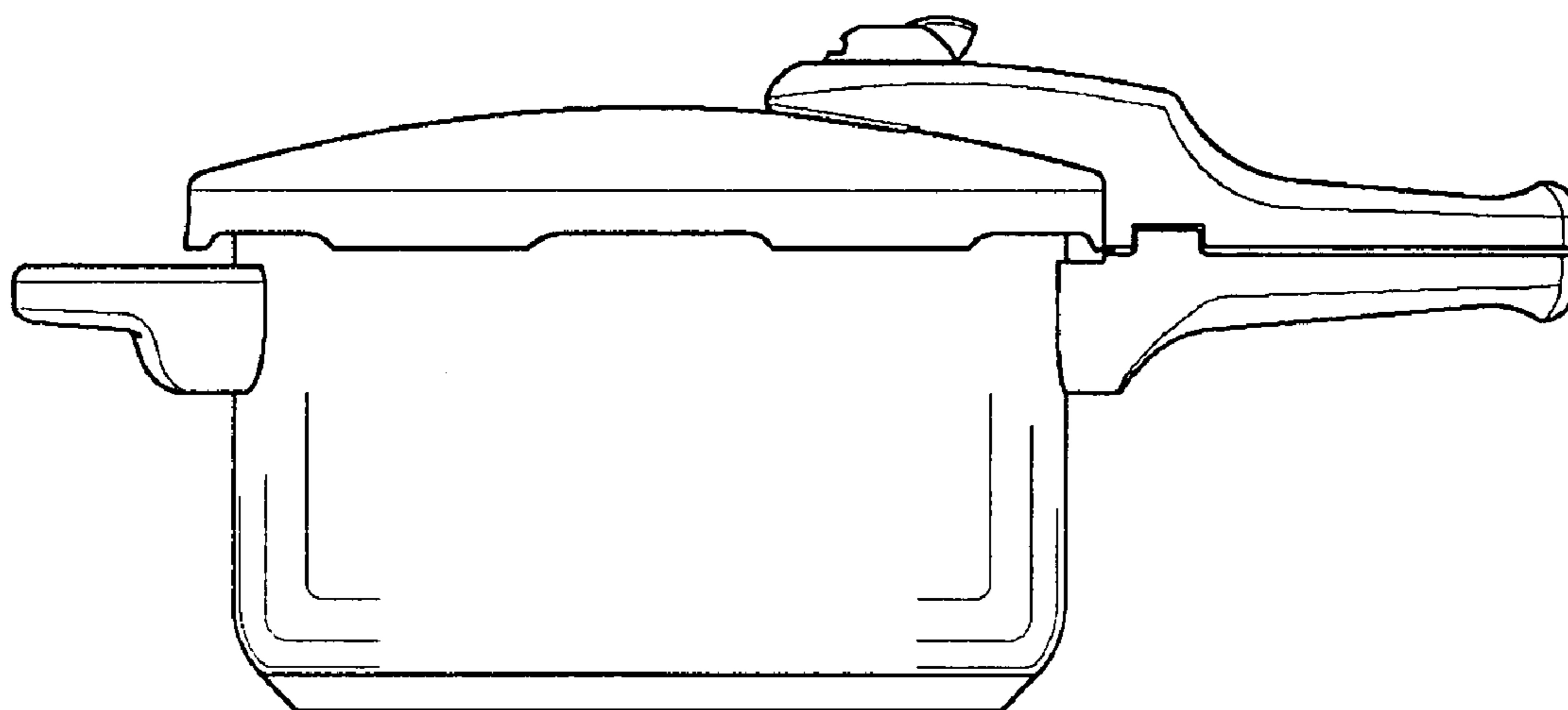


Fig. 2

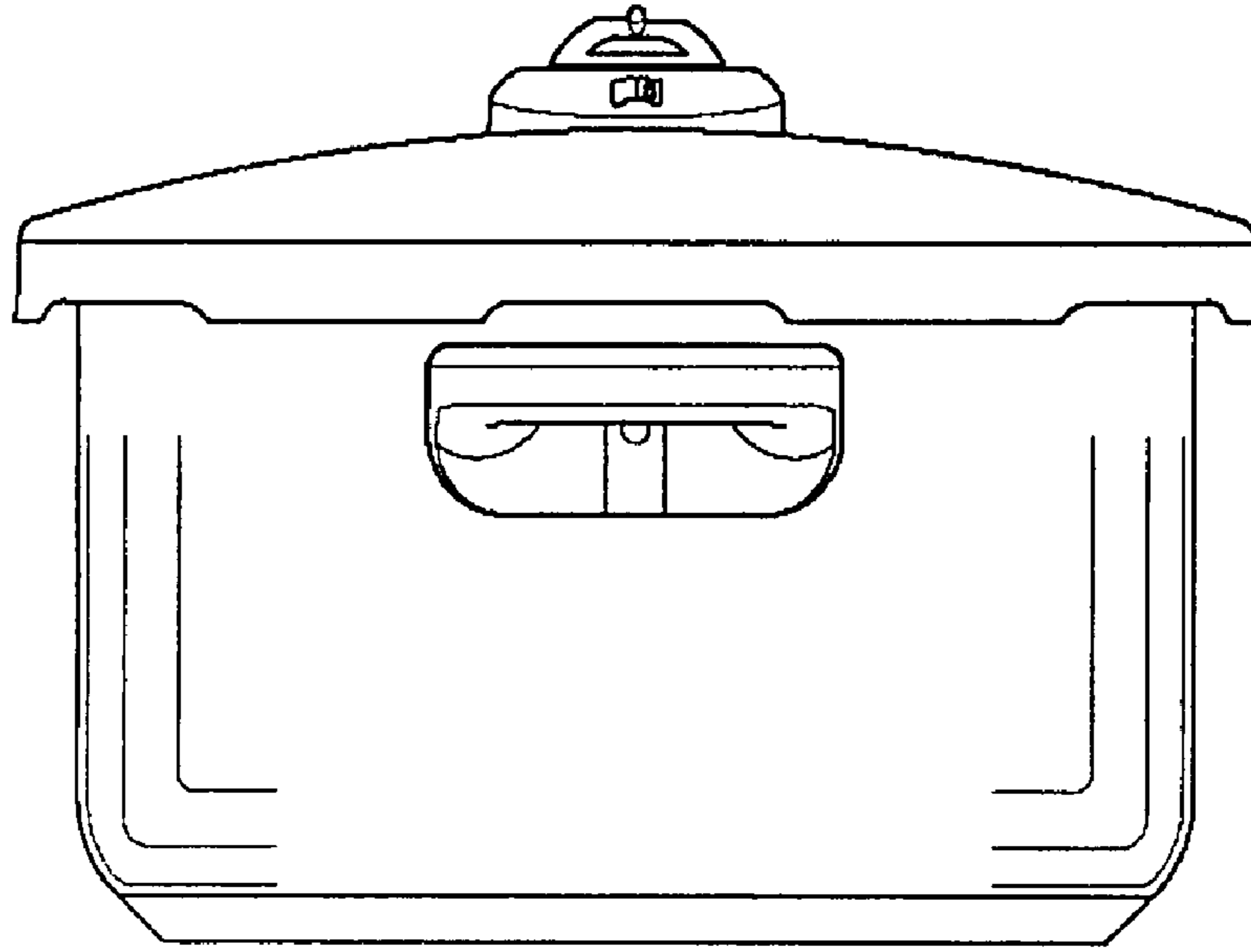


Fig. 3

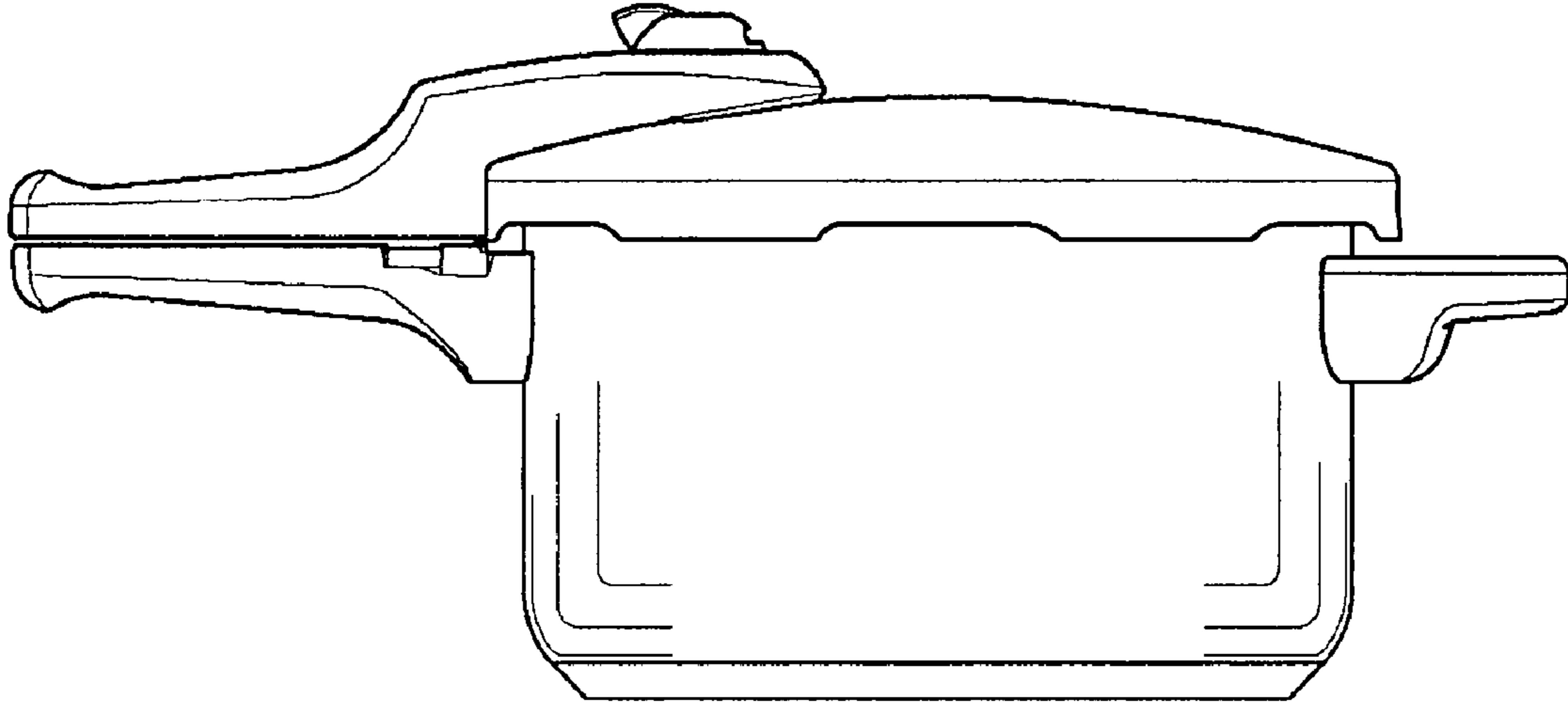


Fig. 4

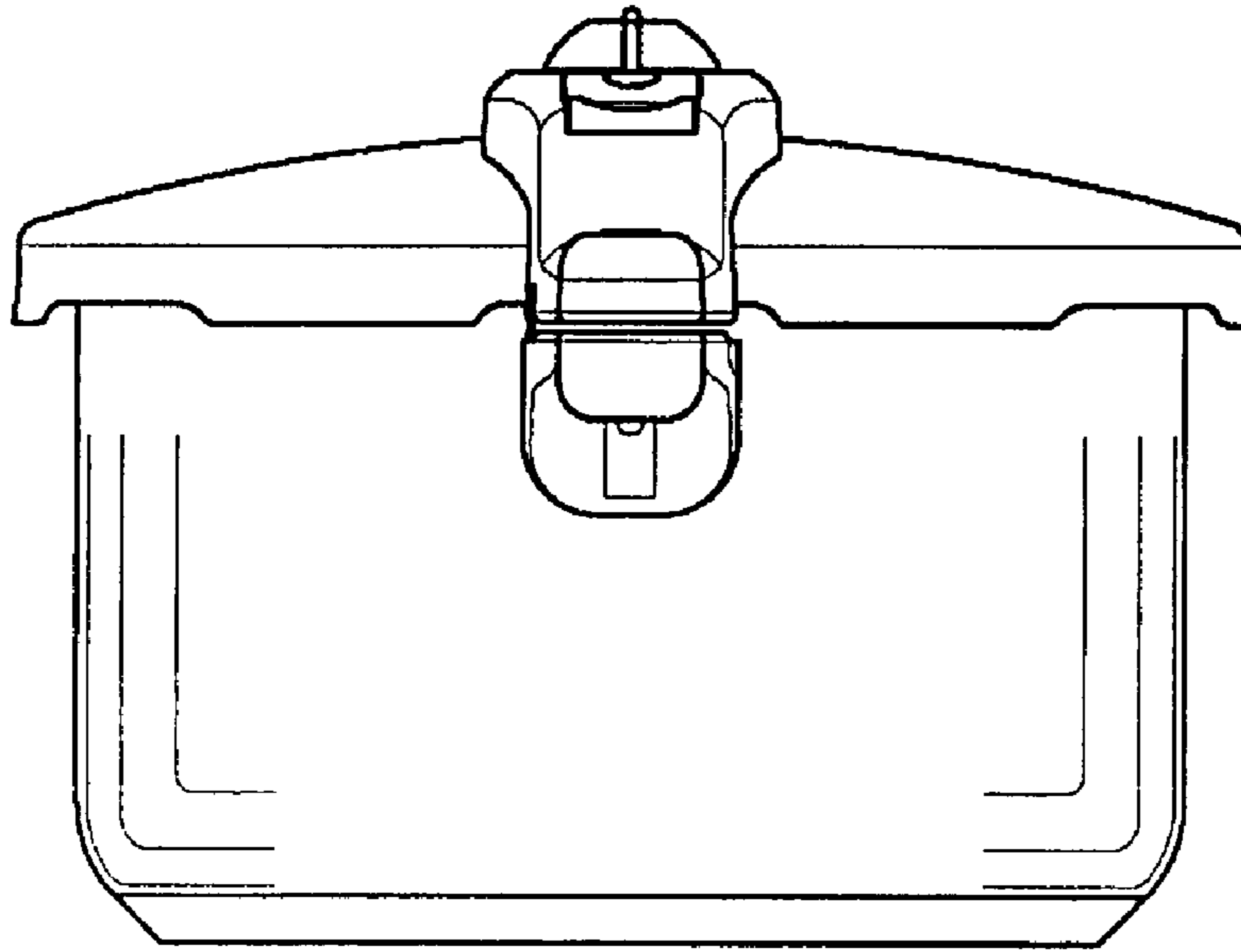


Fig. 5

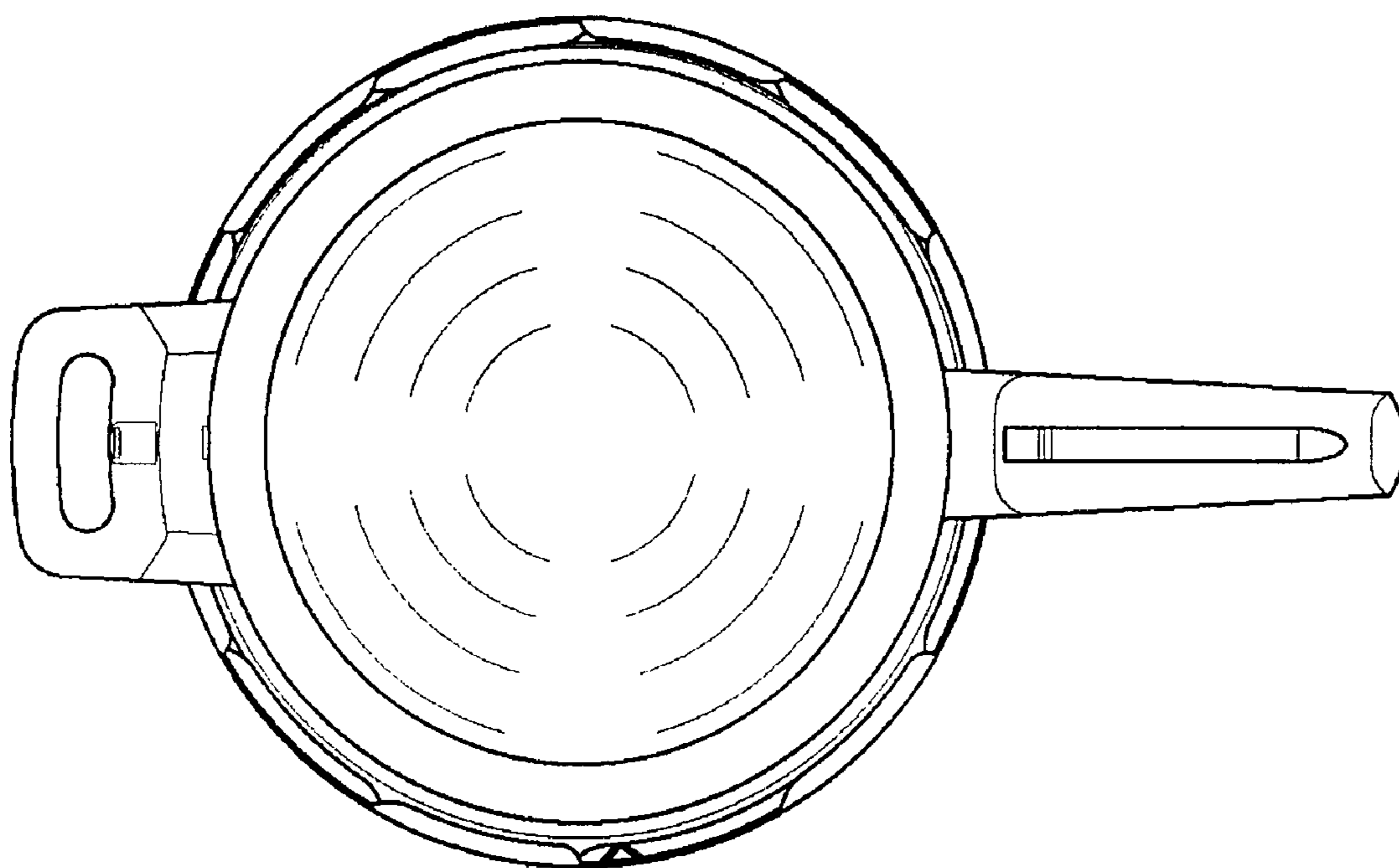


Fig. 6

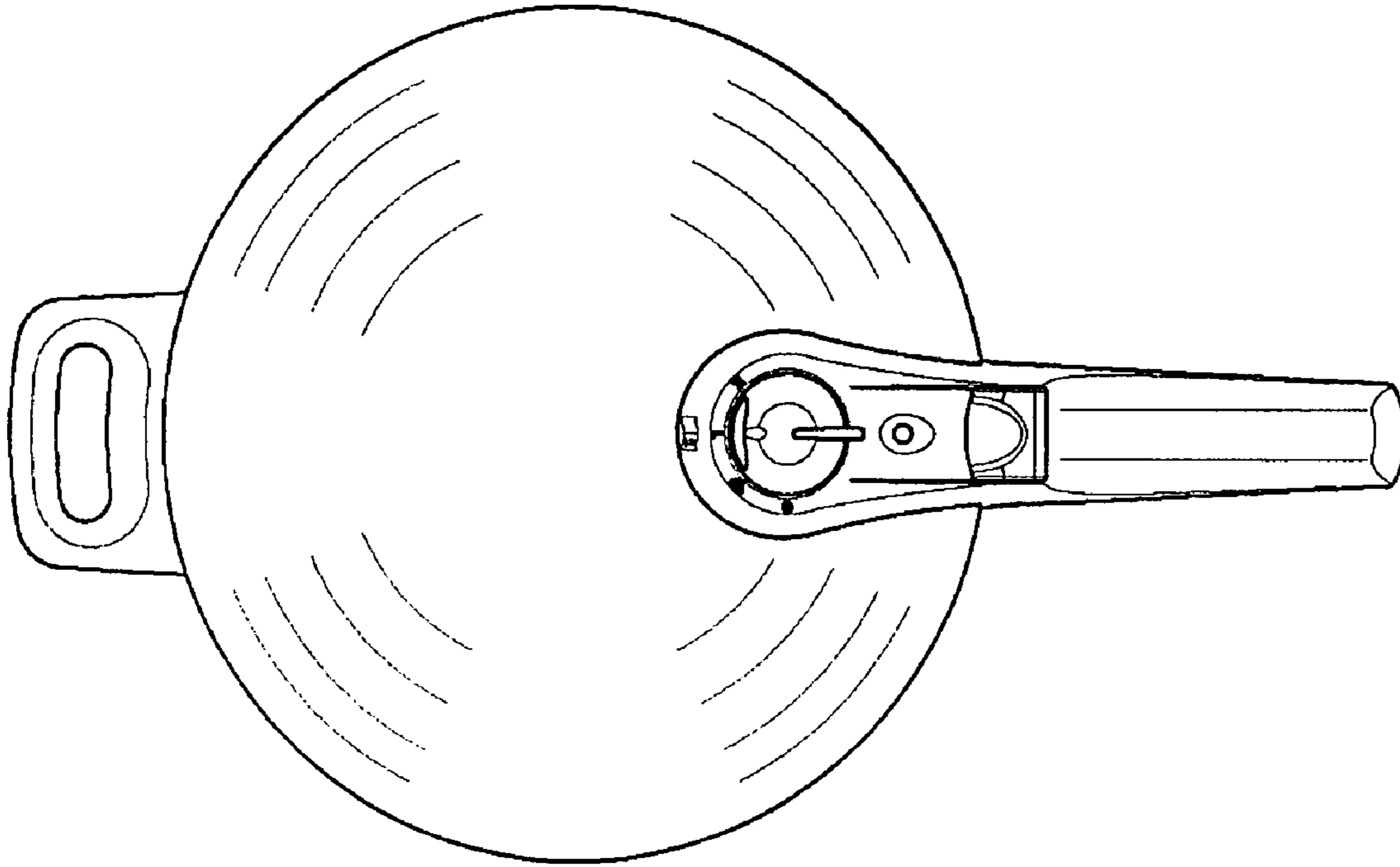


Fig. 7