



US00D570151S

(12) **United States Design Patent**
Brunner

(10) **Patent No.:** **US D570,151 S**

(45) **Date of Patent:** **** Jun. 3, 2008**

(54) **OUTDOOR GRILL**

(76) Inventor: **Robert Brunner**, 642 Carolina St., San Francisco, CA (US) 94107

(**) Term: **14 Years**

(21) Appl. No.: **29/286,051**

(22) Filed: **Apr. 20, 2007**

(51) **LOC (8) Cl.** **07-02**

(52) **U.S. Cl.** **D7/334**

(58) **Field of Classification Search** D7/340,
D7/347, 348, 332, 334-337, 339, 323, 402-405;
D6/432, 436, 445, 446, 481; 126/29, 25 R,
126/25 A, 25 AA, 9 R, 9 B, 37 R, 41 R,
126/40, 33, 369.2, 377.1, 276, 268; 312/236,
312/140.1, 140.4, 284, 283; 99/450, 481-482
See application file for complete search history.

(56) **References Cited**

U.S. PATENT DOCUMENTS

- D166,577 S * 4/1952 Smey D7/347
- D188,448 S * 7/1960 Freiberg D7/347
- D188,641 S * 8/1960 Christenson, Jr. D7/332
- D229,661 S * 12/1973 Lambertson D7/334
- D235,241 S * 6/1975 Peters, Jr. et al. D7/340

- D275,830 S * 10/1984 Naito et al. D7/337
- D299,305 S * 1/1989 Vollborn D7/332
- D524,094 S * 7/2006 Home D7/340
- D557,548 S * 12/2007 Fisher D7/340
- 2006/0070614 A1* 4/2006 Spangrud 126/25 R
- 2007/0175467 A1* 8/2007 Liu 126/25 R

* cited by examiner

Primary Examiner—Ruth McInroy

(57) **CLAIM**

I claim the ornamental design for an outdoor grill, as shown and described.

DESCRIPTION

FIG. 1 is a perspective view of an outdoor grill showing my new design;

FIG. 2 is a front side plan view of the outdoor grill;

FIG. 3 is a back side plan view thereof;

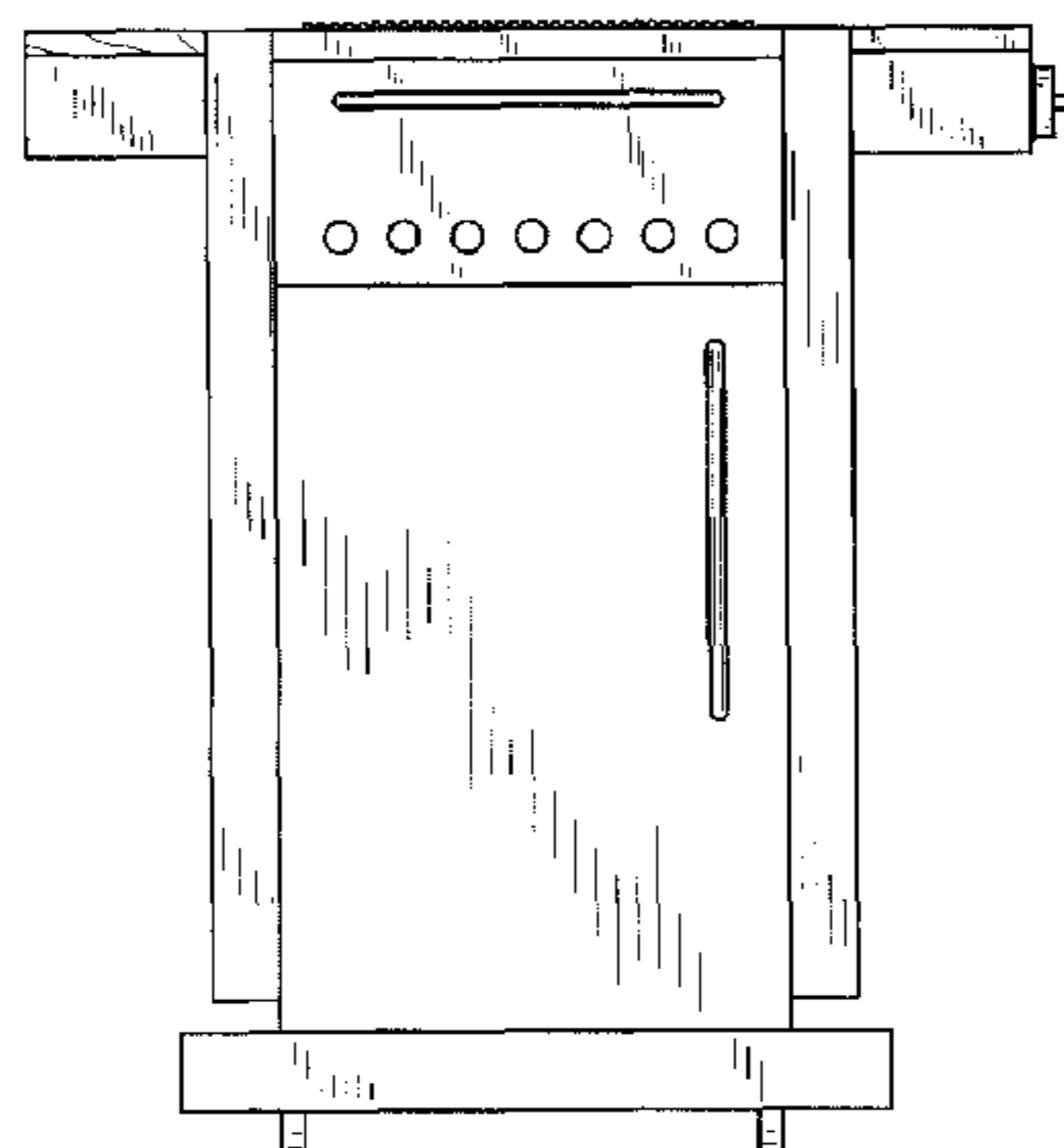
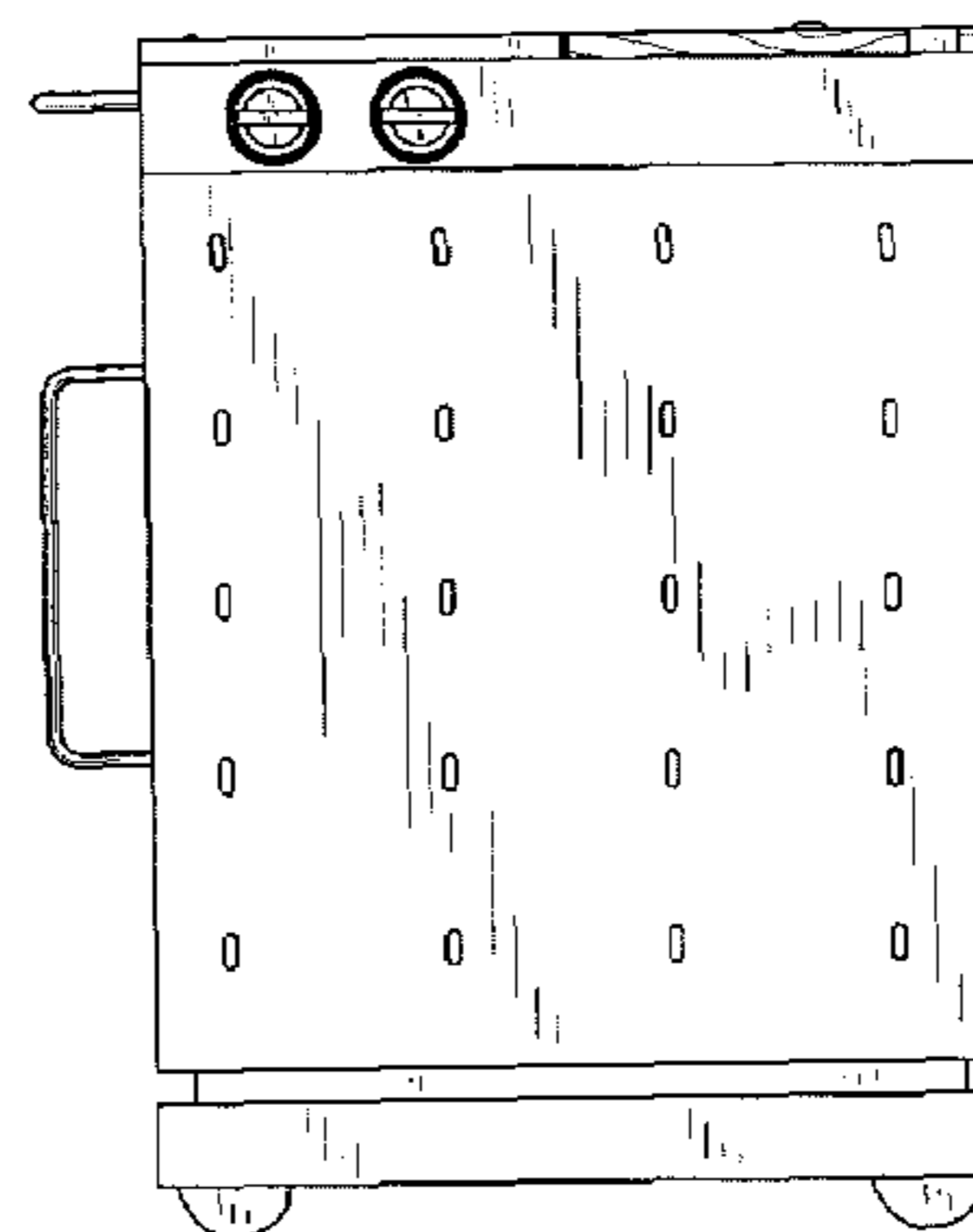
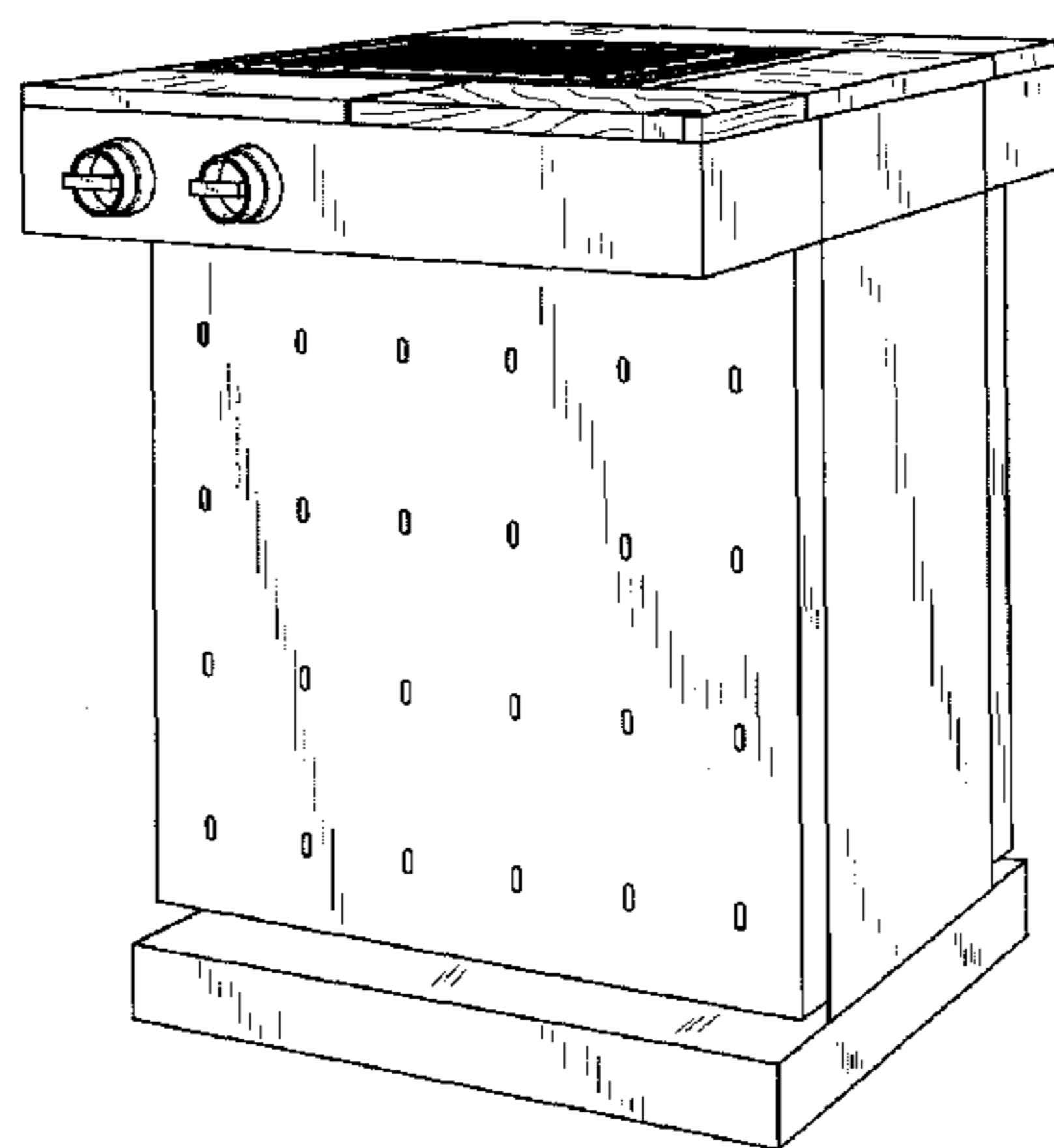
FIG. 4 is a left side plan view thereof;

FIG. 5 is a right side plan view thereof;

FIG. 6 is a top side plan view thereof; and,

FIG. 7 is a bottom side plan view thereof.

1 Claim, 4 Drawing Sheets



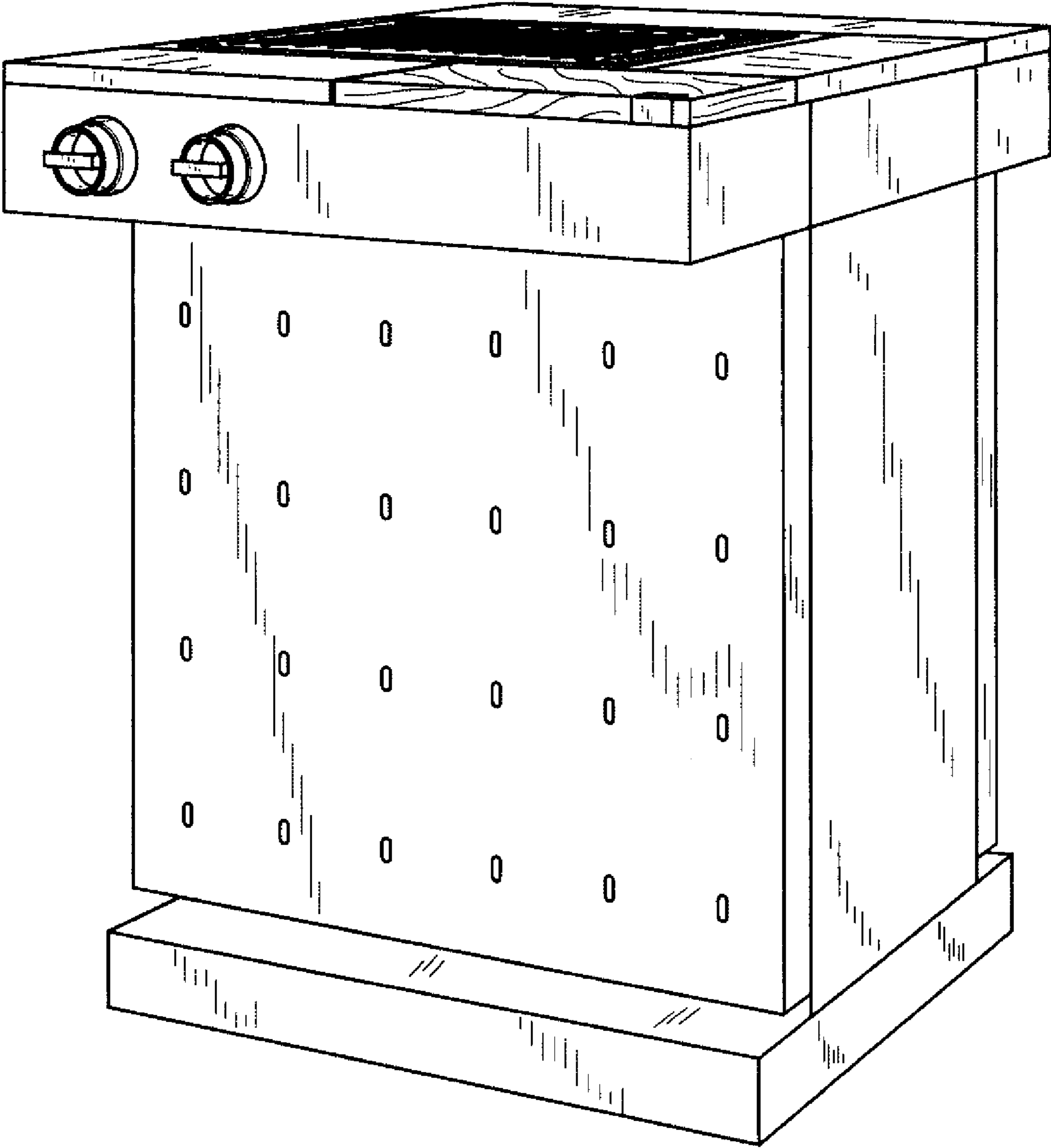


FIG. 1

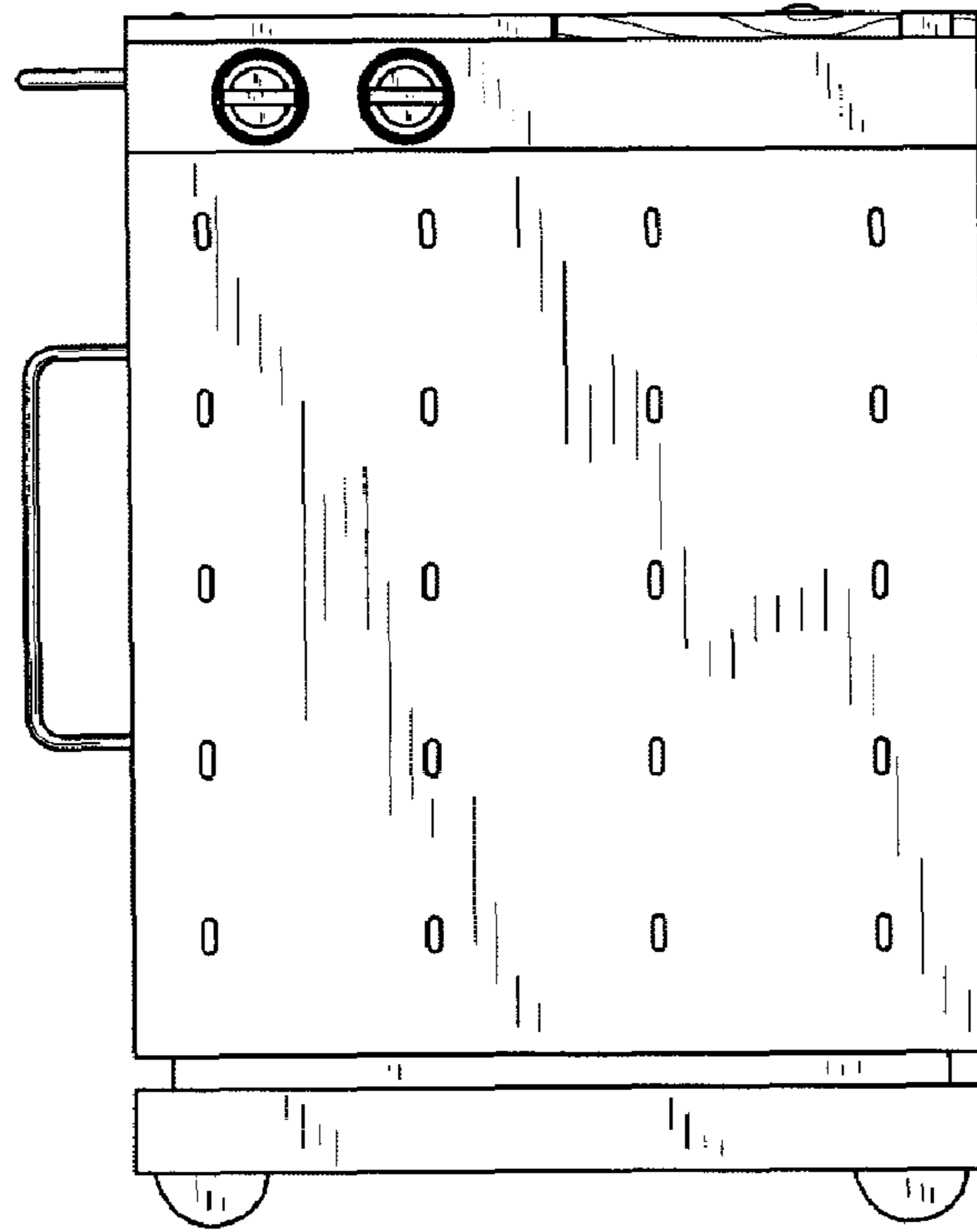


FIG. 2

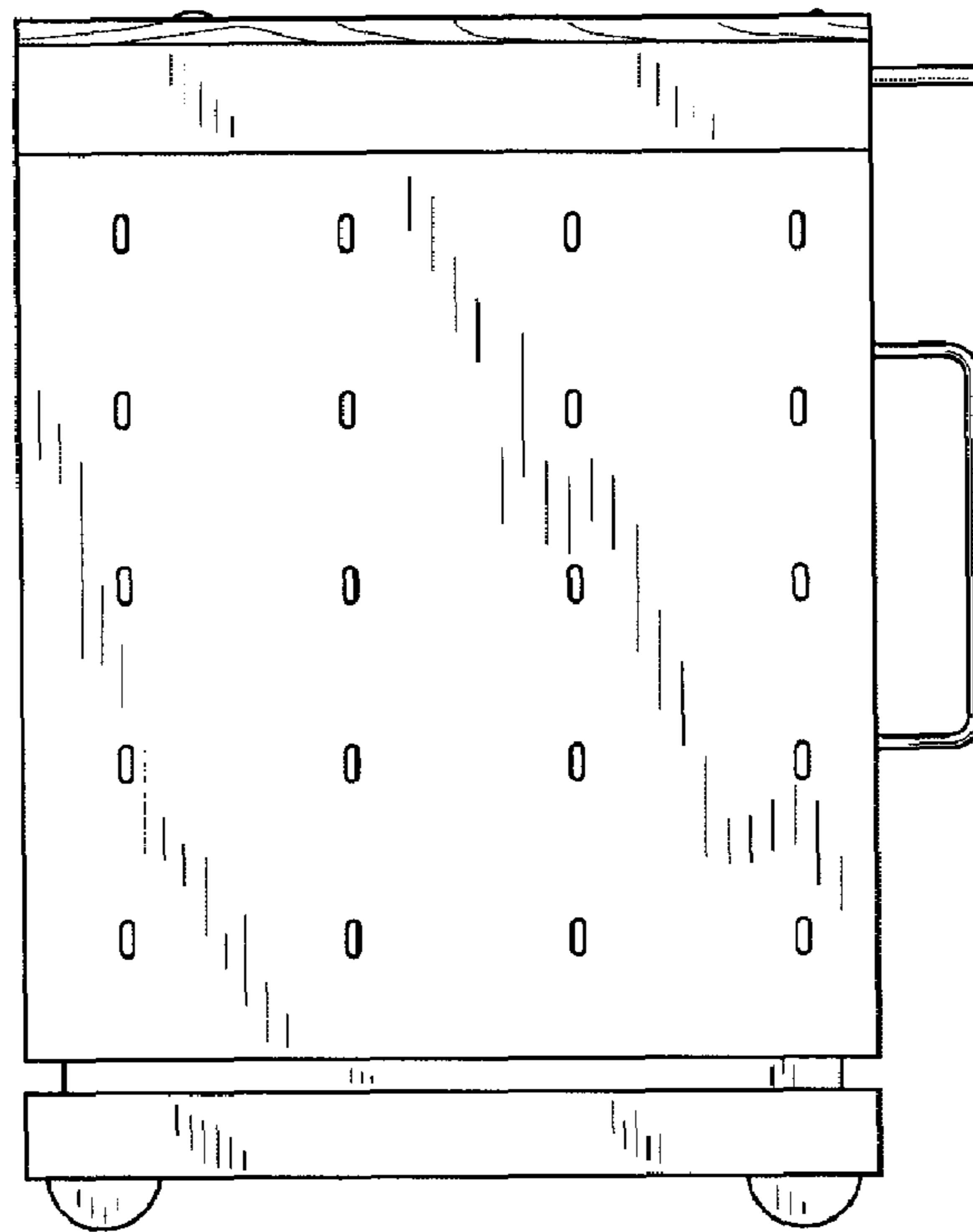


FIG. 3

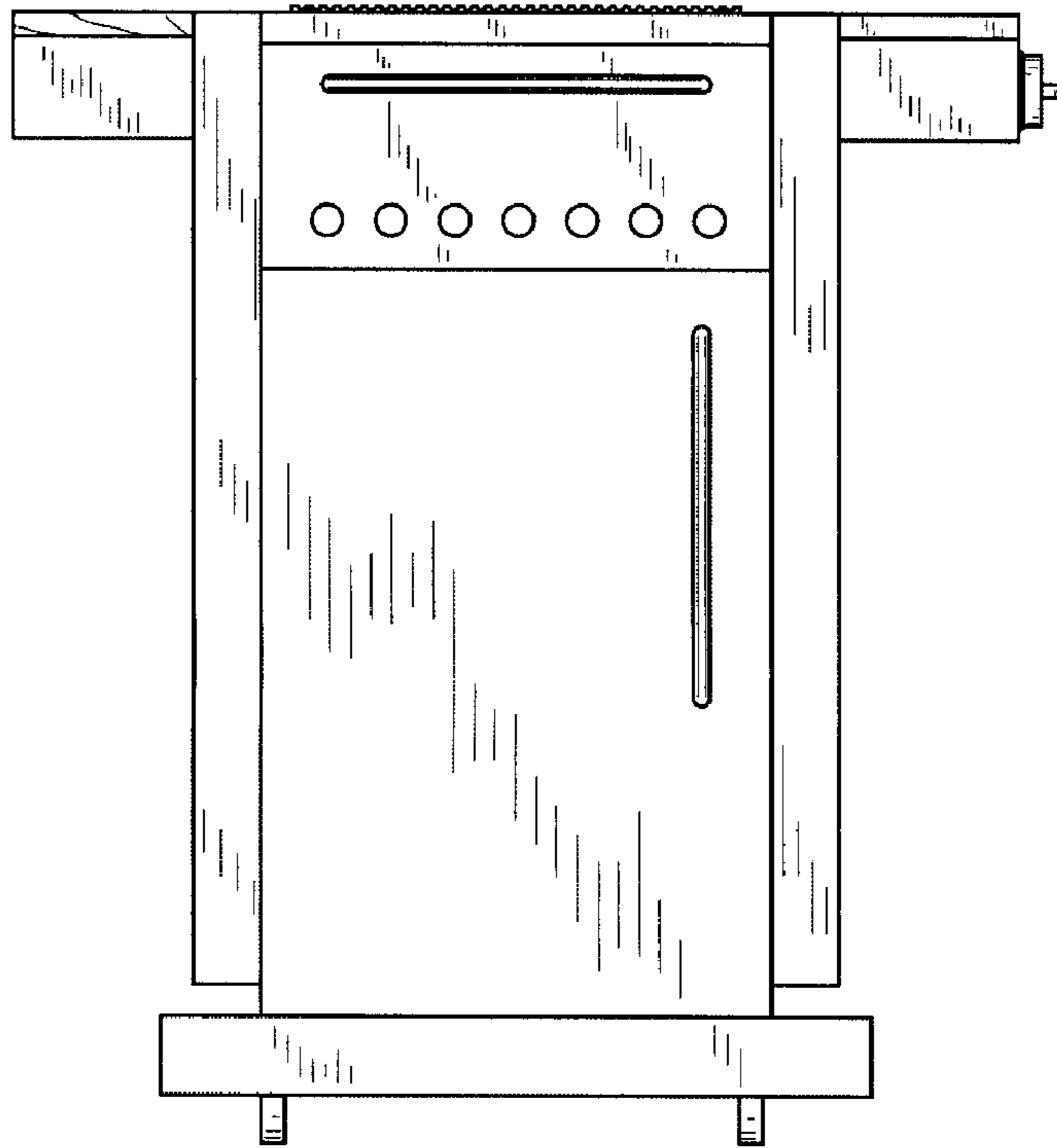


FIG. 4

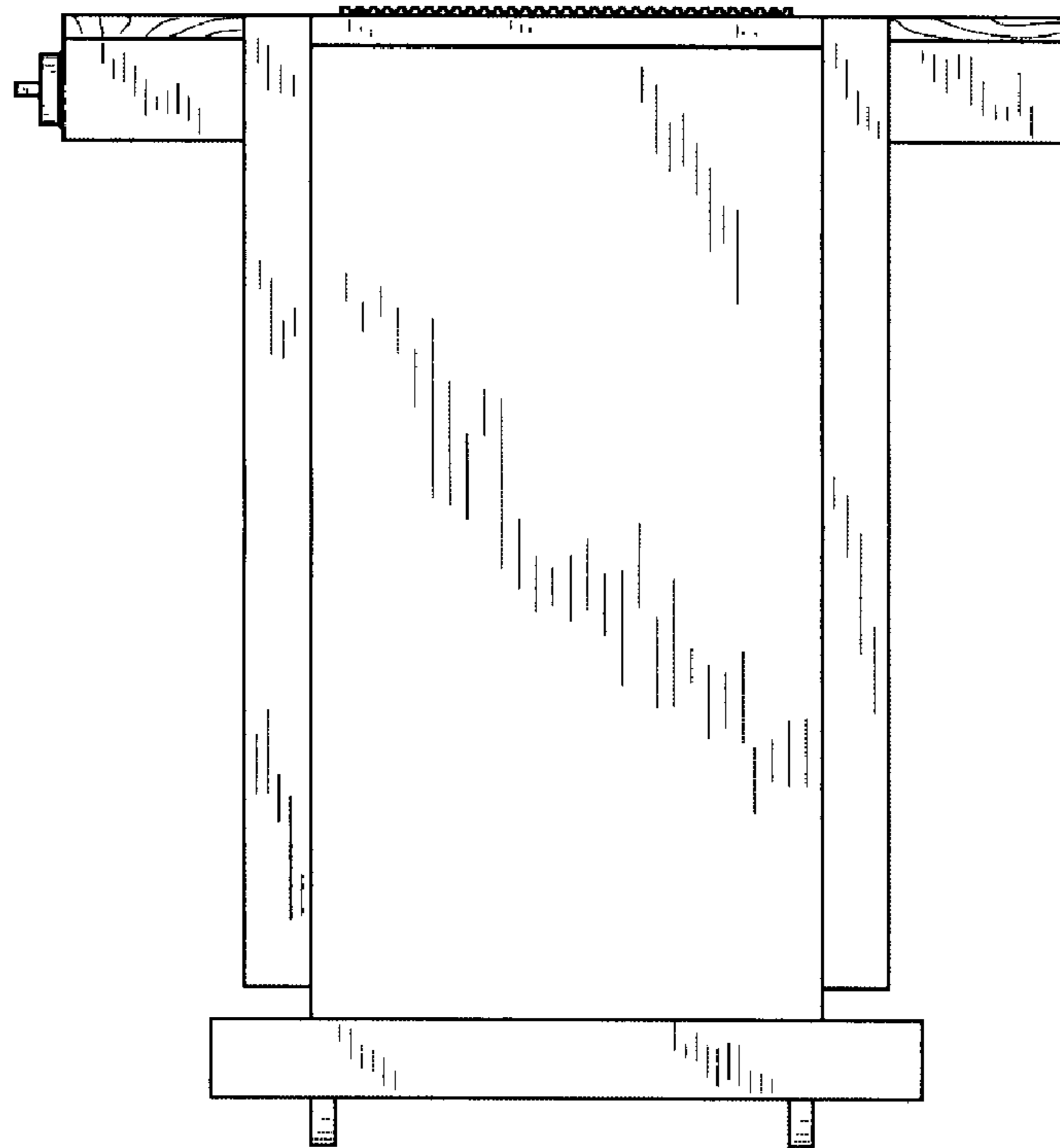


FIG. 5

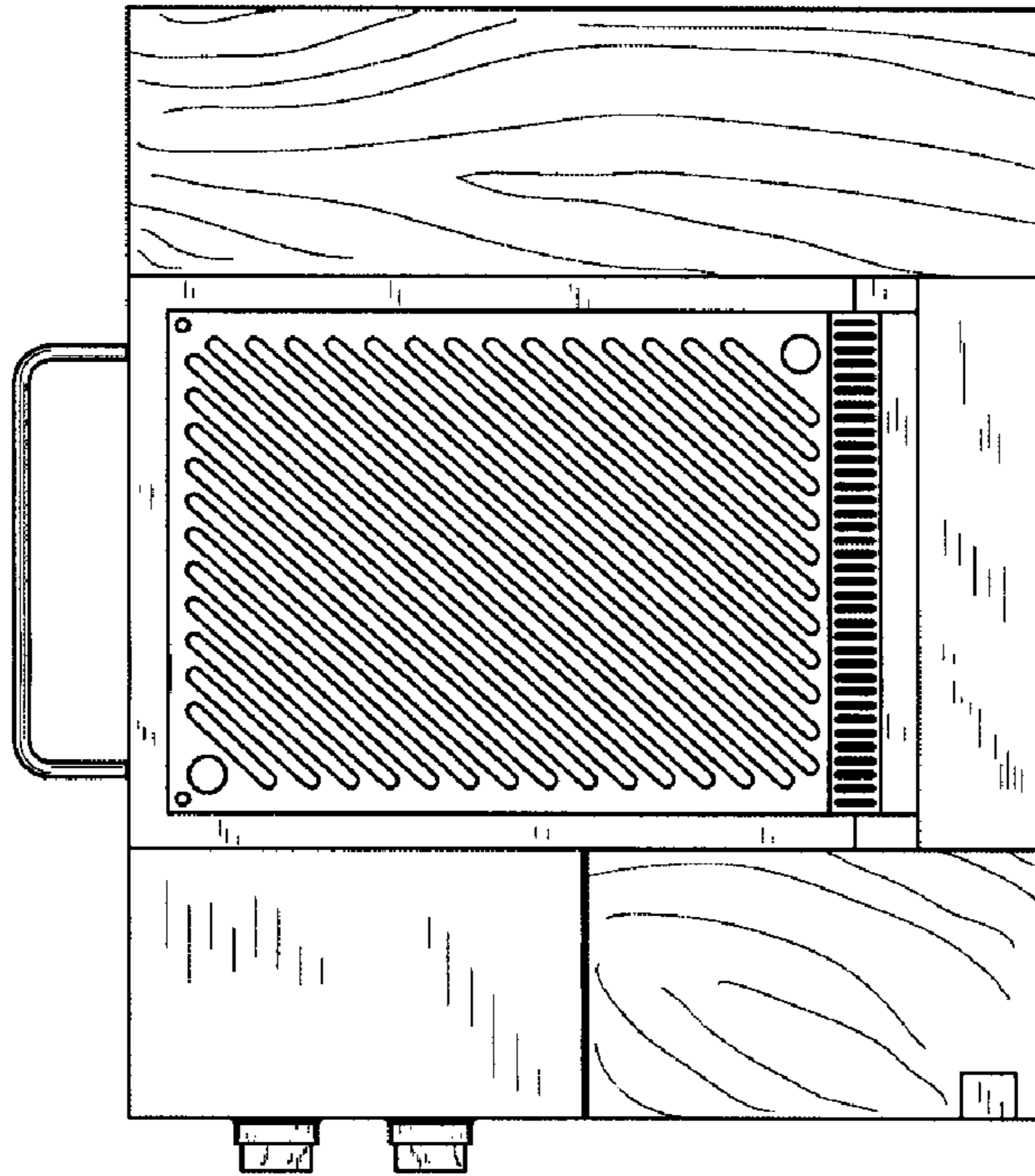


FIG. 6

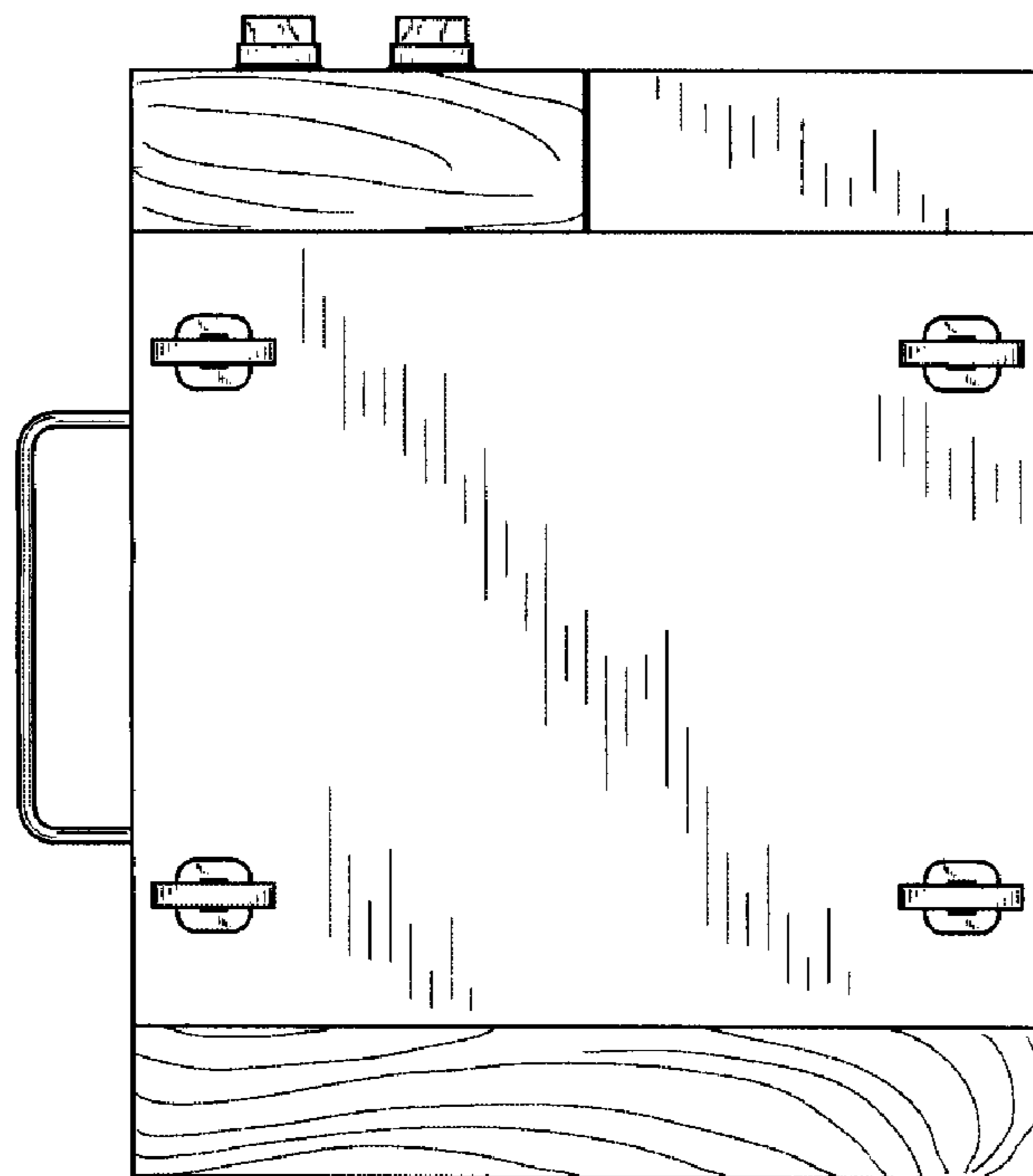


FIG. 7