

US00D570143S

(12) **United States Design Patent**
Bigelow

(10) **Patent No.:** **US D570,143 S**

(45) **Date of Patent:** **** Jun. 3, 2008**

(54) **BATHROOM TISSUE ROLL STORAGE APPARATUS**

D541,564 S * 5/2007 Snell D6/520
D550,488 S * 9/2007 Nip et al. D6/521

(76) Inventor: **Brad Bigelow**, 1638 Imperial Palm Dr.,
Apopka, FL (US) 32712

* cited by examiner

Primary Examiner—Brian N Vinson
(74) *Attorney, Agent, or Firm*—Larry D. Johnson

(**) Term: **14 Years**

(21) Appl. No.: **29/289,071**

(57) **CLAIM**

(22) Filed: **Jul. 5, 2007**

The ornamental design for a bathroom tissue roll storage apparatus, as shown and described.

(51) **LOC (8) Cl.** **20-02**

DESCRIPTION

(52) **U.S. Cl.** **D6/520; D6/521**

(58) **Field of Classification Search** D6/518-523;
206/389, 391; 211/13.1, 59.1, 45, 890.1;
242/570, 590; 248/309.1, 309.2

FIG. 1 is an upper right front perspective view;
FIG. 2 is a front elevation view;
FIG. 3 is a left side elevation view, the right side is a mirror image thereof;
FIG. 4 is a rear elevation view; and,
FIG. 5 is a top plan view; the bottom view is unornamented and contains no design feature.

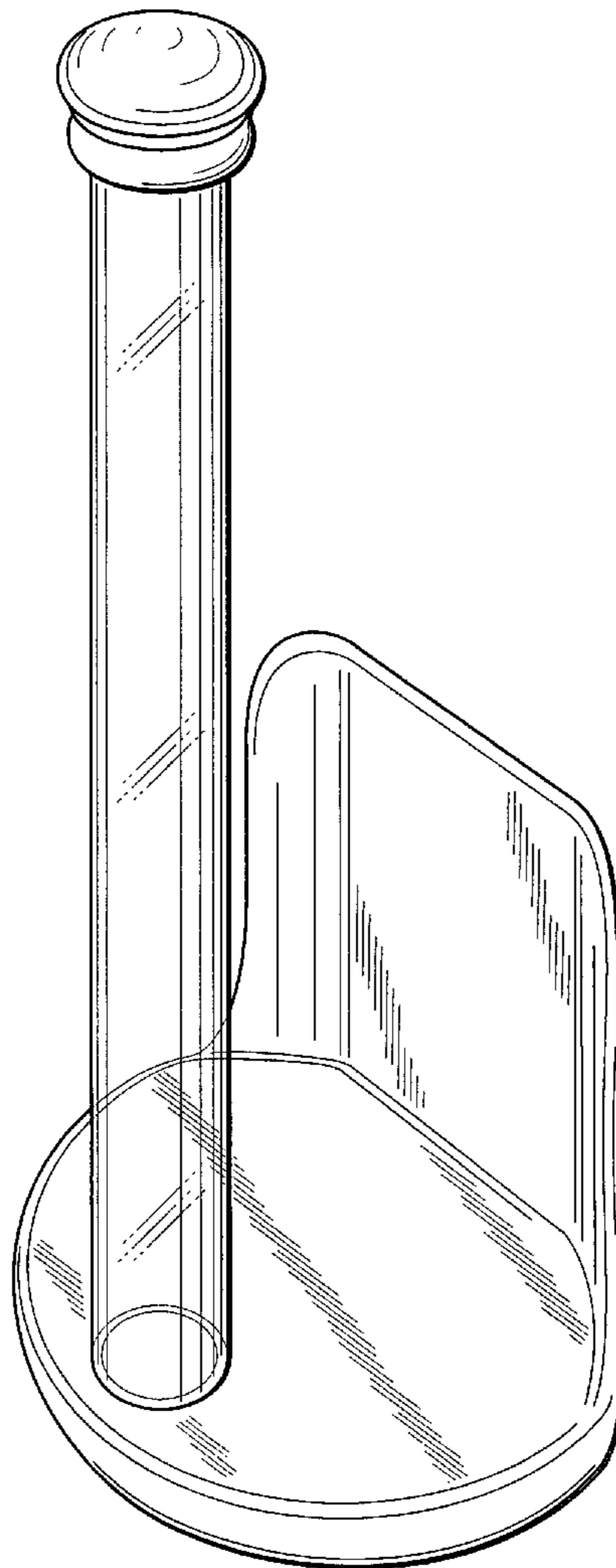
See application file for complete search history.

(56) **References Cited**

U.S. PATENT DOCUMENTS

D518,985 S * 4/2006 Yang et al. D6/521
D528,836 S * 9/2006 Petersen-Rutten D6/521

1 Claim, 5 Drawing Sheets



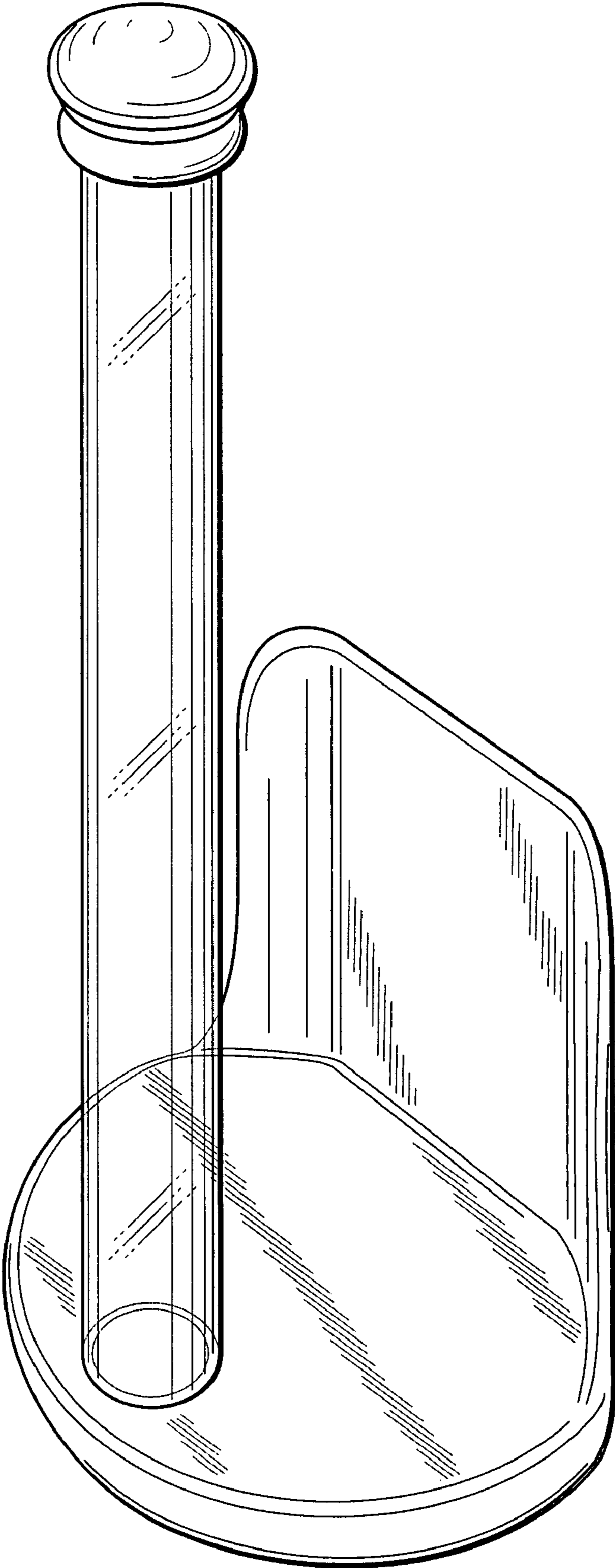


FIG. 1

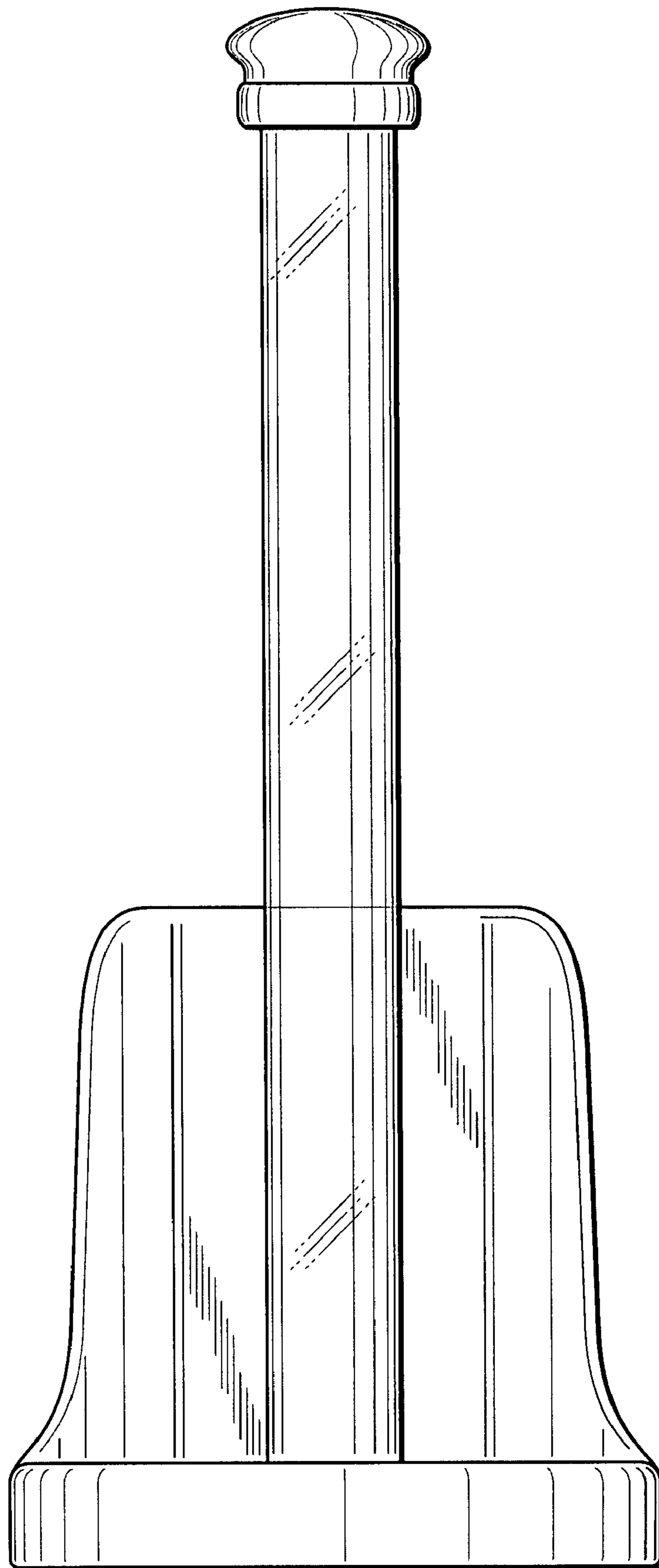


FIG. 2

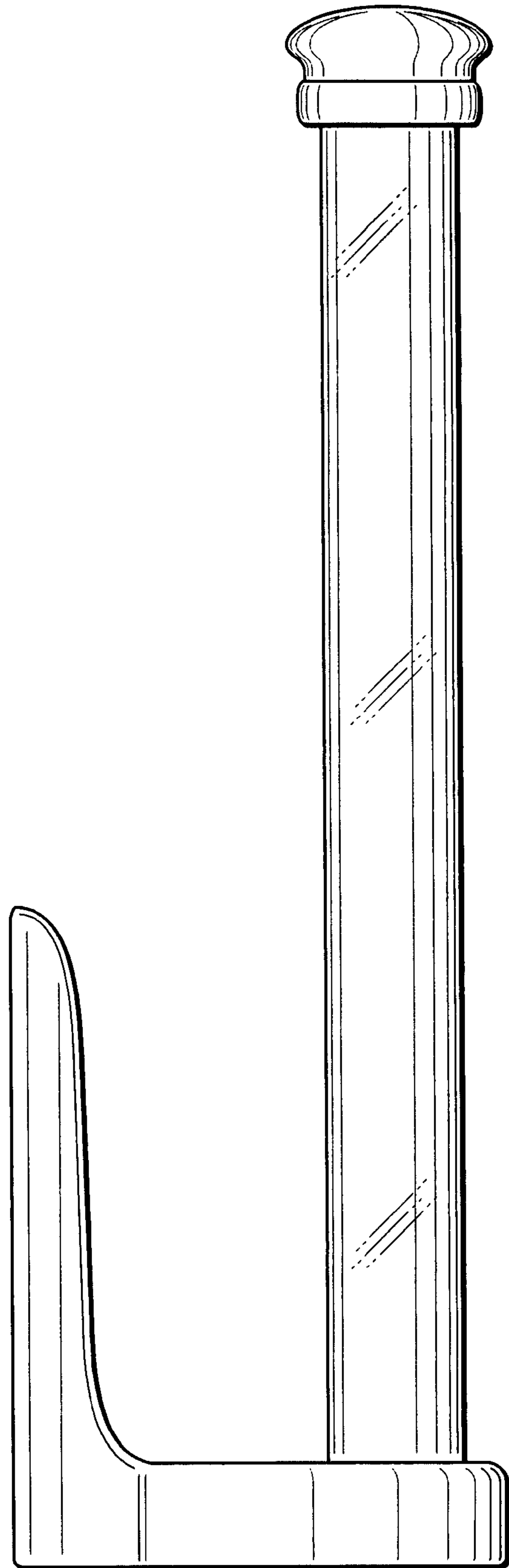


FIG. 3

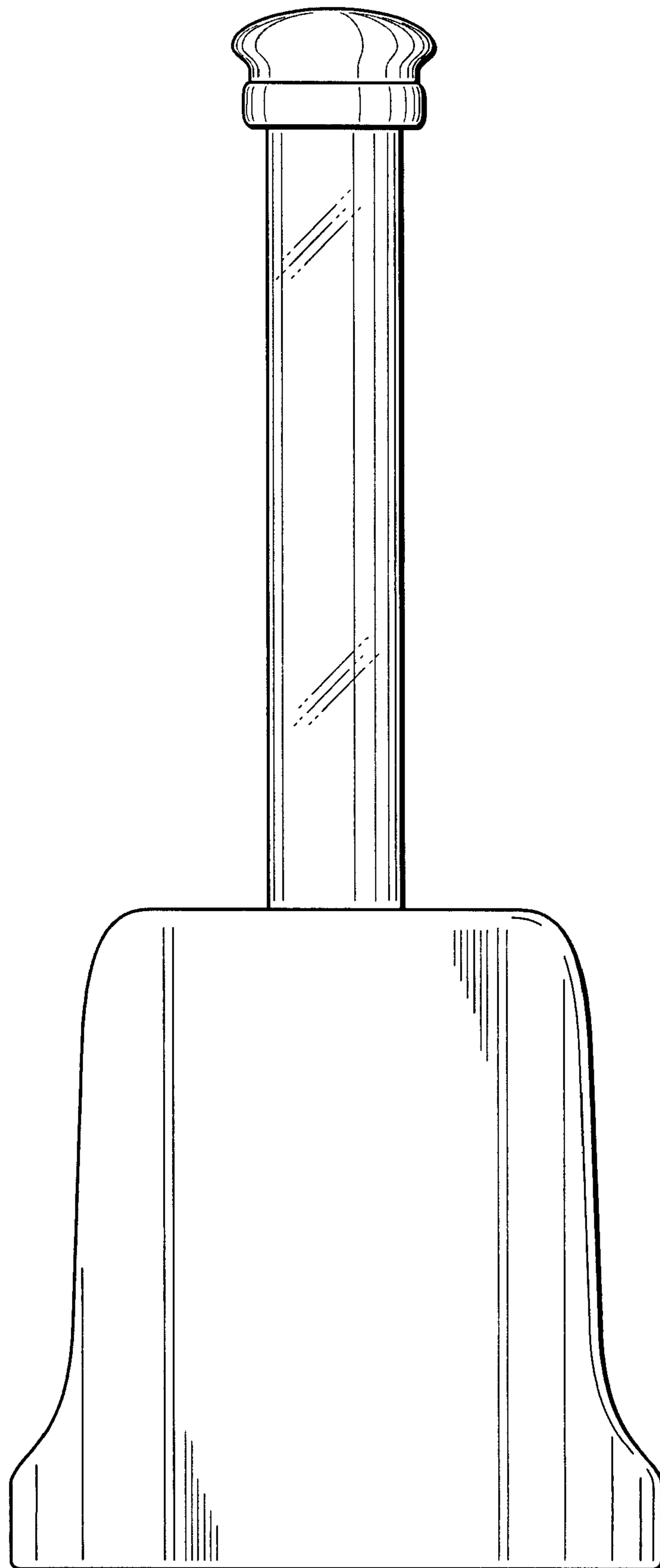


FIG. 4

FIG. 5

